



US00D711391S

(12) **United States Design Patent**  
**Lee et al.**

(10) **Patent No.:** **US D711,391 S**  
(45) **Date of Patent:** **\*\* Aug. 19, 2014**

- (54) **USB FLASH MEMORY DEVICE**
- (71) Applicant: **LG Electronics Inc.**, Seoul (KR)
- (72) Inventors: **Sang Ik Lee**, Seoul (KR); **Bum Sang Lee**, Seoul (KR)
- (73) Assignee: **LG Electronics Inc.**, Seoul (KR)
- (\*\*) Term: **14 Years**
- (21) Appl. No.: **29/469,378**
- (22) Filed: **Oct. 9, 2013**
- (30) **Foreign Application Priority Data**

Apr. 10, 2013 (KR) ..... 30-2013-0018654

- (51) **LOC (10) Cl.** ..... **14-02**
- (52) **U.S. Cl.**  
USPC ..... **D14/480.7**
- (58) **Field of Classification Search**  
CPC ..... G06K 19/07732  
USPC ..... D14/411, 433, 435.1, 436, 480.1-480.7,  
D14/484.1, 137, 155, 203.1-203.8, 240,  
D14/242; D13/133, 154  
See application file for complete search history.

(56) **References Cited**

**U.S. PATENT DOCUMENTS**

D328,069	S *	7/1992	Langton	.....	D14/138 R
D494,969	S *	8/2004	Lin	.....	D14/480.7
D524,817	S *	7/2006	Conley et al.	.....	D14/480.5
D527,734	S *	9/2006	Lee et al.	.....	D14/480.5
D541,796	S *	5/2007	Chen	.....	D14/480.7
D547,758	S *	7/2007	Ho et al.	.....	D14/480.7
7,535,719	B2 *	5/2009	Hiew et al.	.....	361/737
D601,141	S *	9/2009	Moshes et al.	.....	D14/480.7
7,679,008	B2 *	3/2010	Lee	.....	174/560
7,771,215	B1 *	8/2010	Ni et al.	.....	439/131
7,778,037	B2 *	8/2010	Huang	.....	361/752
7,959,448	B1 *	6/2011	Chou et al.	.....	439/131
8,179,669	B2 *	5/2012	Huang	.....	361/679.31

8,308,494	B1 *	11/2012	Zhao	.....	439/131
D677,672	S *	3/2013	Lin et al.	.....	D14/480.7
8,665,598	B2 *	3/2014	Seeley	.....	361/729
2007/0292009	A1 *	12/2007	Nguyen et al.	.....	382/124
2011/0188207	A1 *	8/2011	Won et al.	.....	361/709
2013/0201622	A1 *	8/2013	Liu et al.	.....	361/679.32

**OTHER PUBLICATIONS**

Huawei unwraps 21Mb/s HSDPA dongle • reghardware, [online], [retrieved on May 17, 2010]. Retrieved from the Internet <URL: [http://www.reghardware.co.uk/2009/03/04/huawei\\_e182e\\_launch/](http://www.reghardware.co.uk/2009/03/04/huawei_e182e_launch/)>.\*

Lexar Flash Drives|Lexar JumpDrive|FireFly|Lightning|Secure—Buy & Blog, [online], [retrieved on May 17, 2010]. Retrieved from the Internet <URL: <http://www.usbmemorysticks.net/lexar-flash-drives>>.\*

Cruzer flash drive, overstock.com, [online], [retrieved on Jun. 27, 2007]. Retrieved from the Internet <URL: <http://images.overstock.com/f/102/3117/8h/www.overstock.com/images/products/11739539.jpg>>.\*

\* cited by examiner

*Primary Examiner* — Karen E Kearney

(74) *Attorney, Agent, or Firm* — Birch, Stewart, Kolasch & Birch, LLP

(57) **CLAIM**

We claim the ornamental design for a USB flash memory device, as shown and described.

**DESCRIPTION**

FIG. 1 is a perspective view of a USB flash memory device showing the new design;  
FIG. 2 is a front elevation view thereof;  
FIG. 3 is a rear elevation view thereof;  
FIG. 4 is a left-side elevation view thereof;  
FIG. 5 is a right-side elevation view thereof;  
FIG. 6 is a top plan view thereof;  
FIG. 7 is a bottom plan view thereof; and  
FIG. 8 is a bottom perspective view thereof.

**1 Claim, 5 Drawing Sheets**

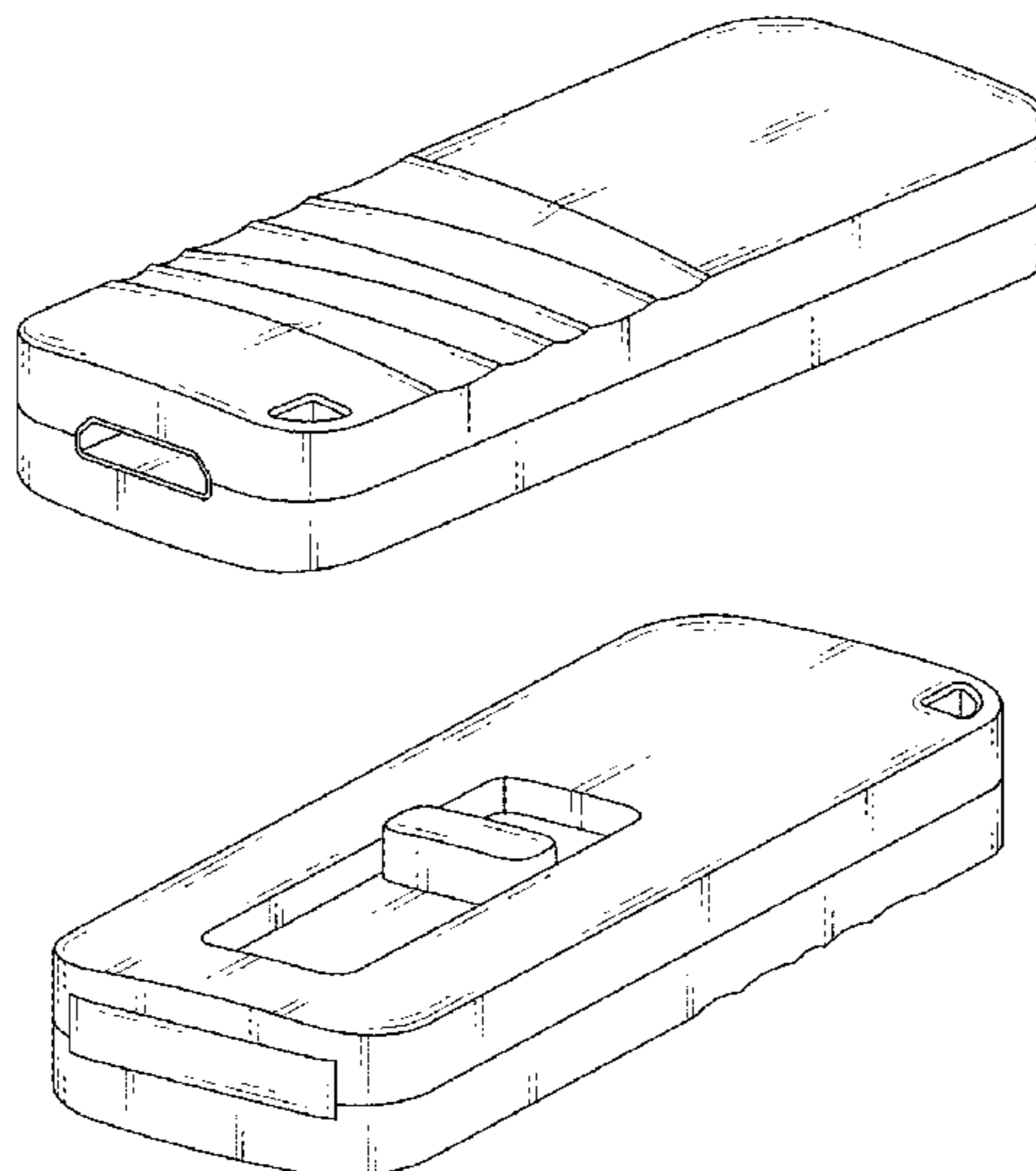


FIG. 1

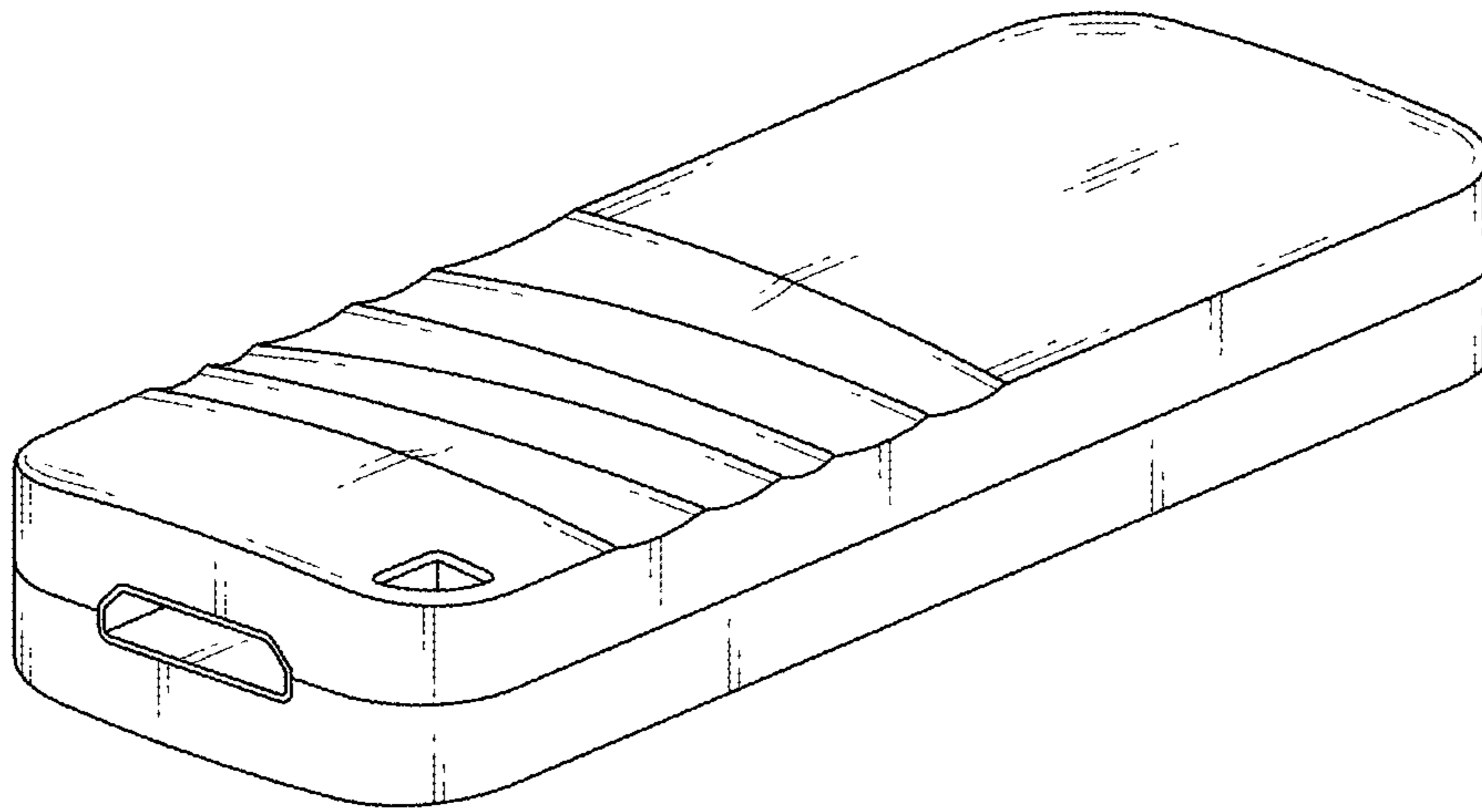


FIG. 2

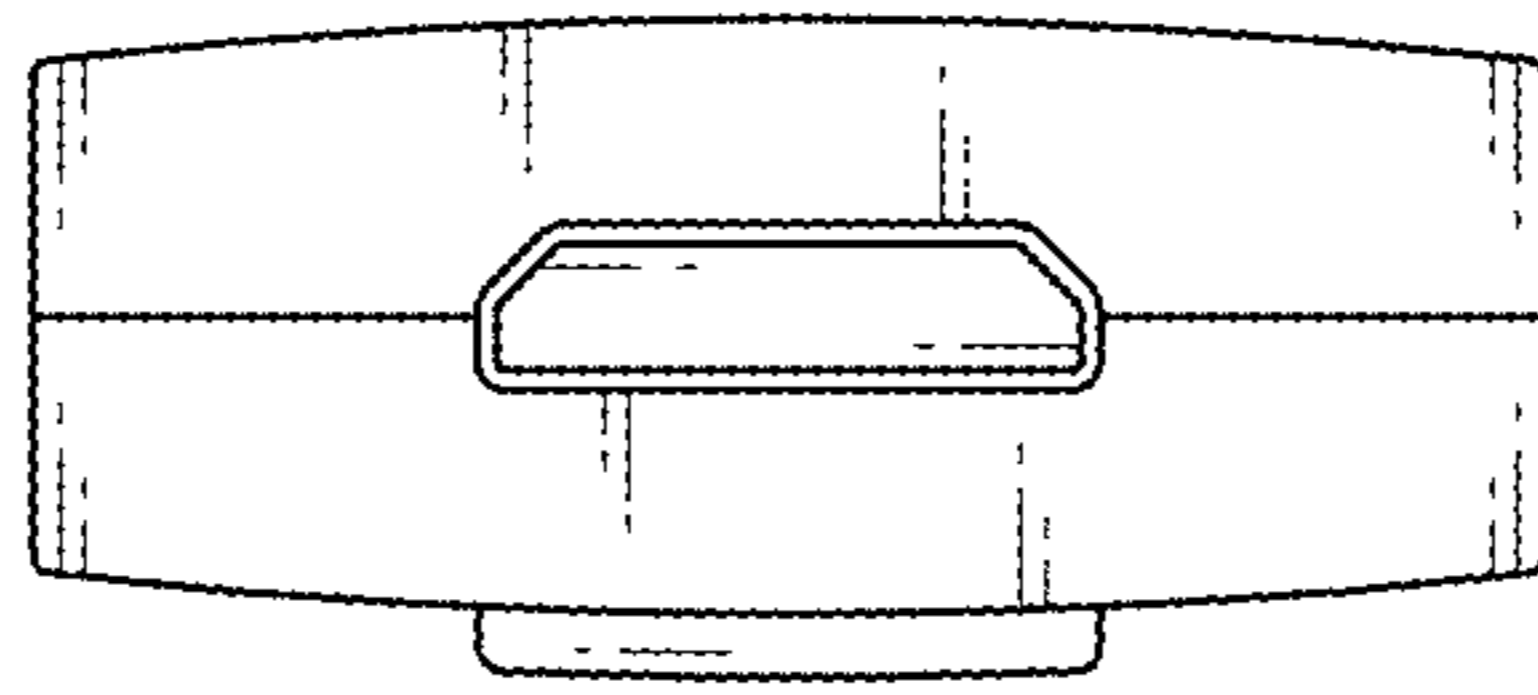


FIG. 3

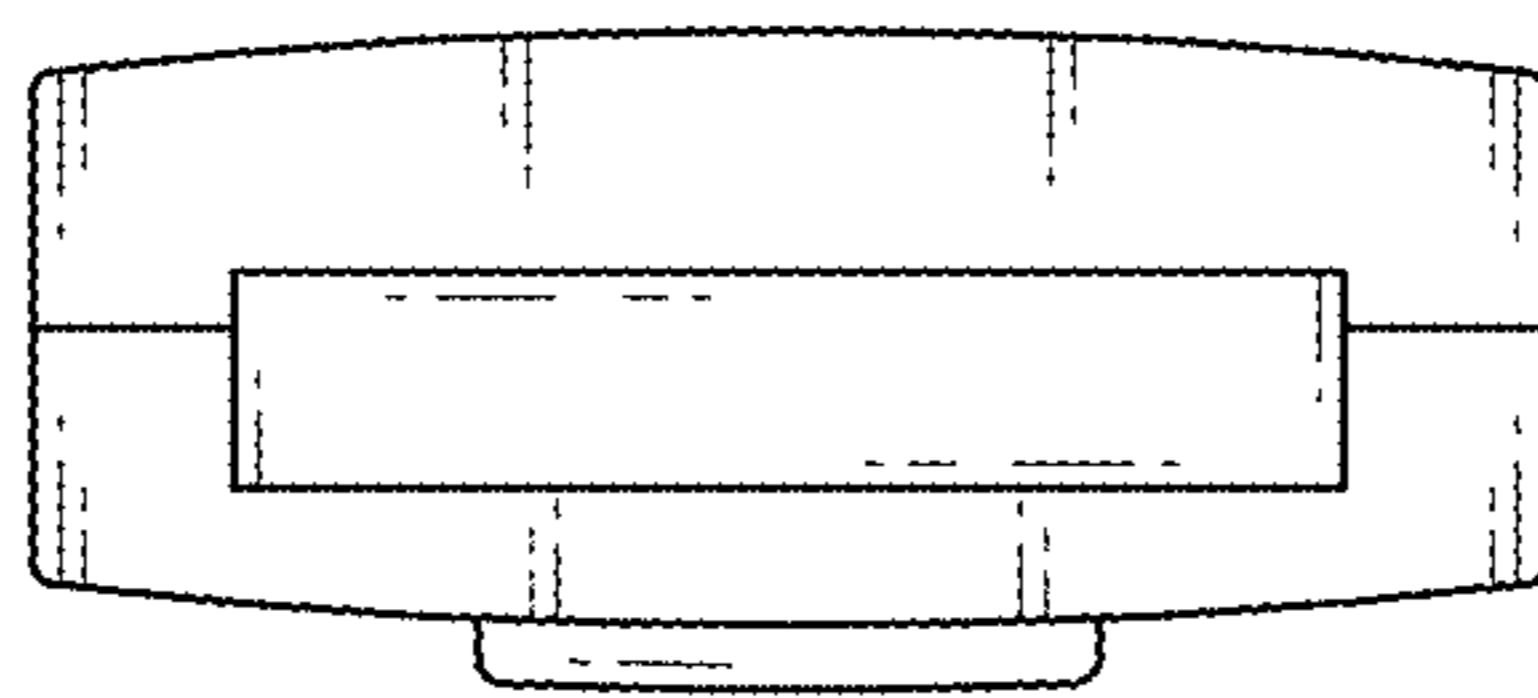


FIG. 4

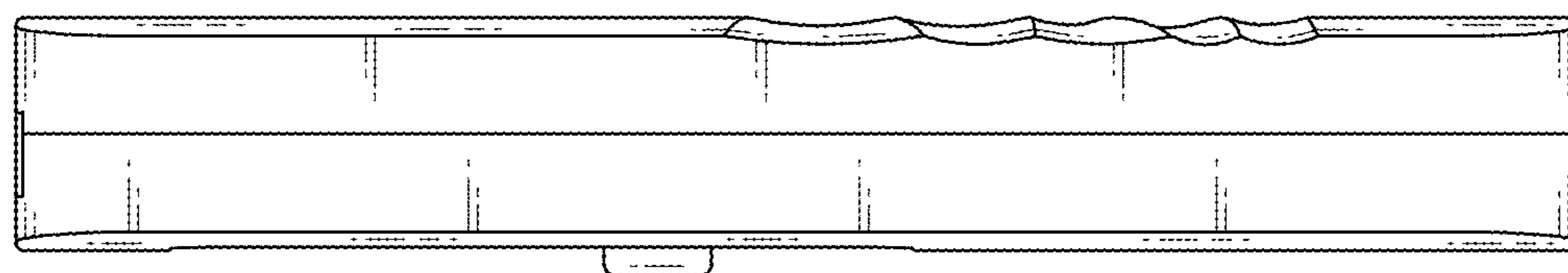


FIG. 5

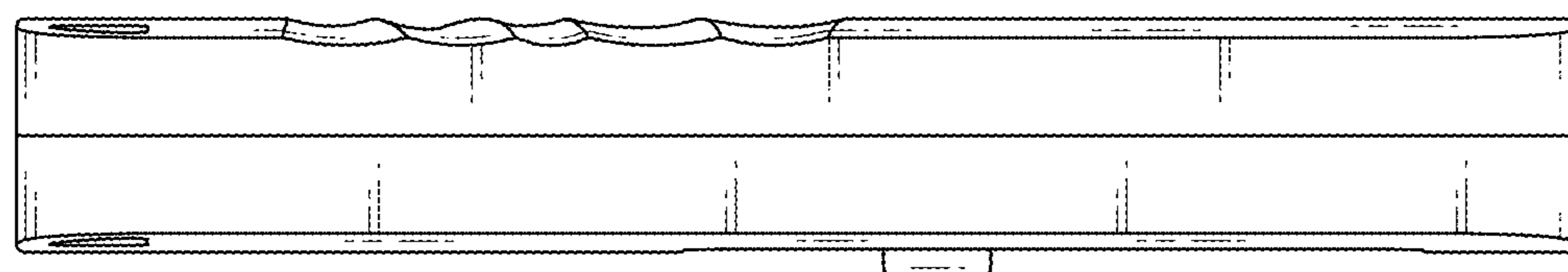


FIG. 6

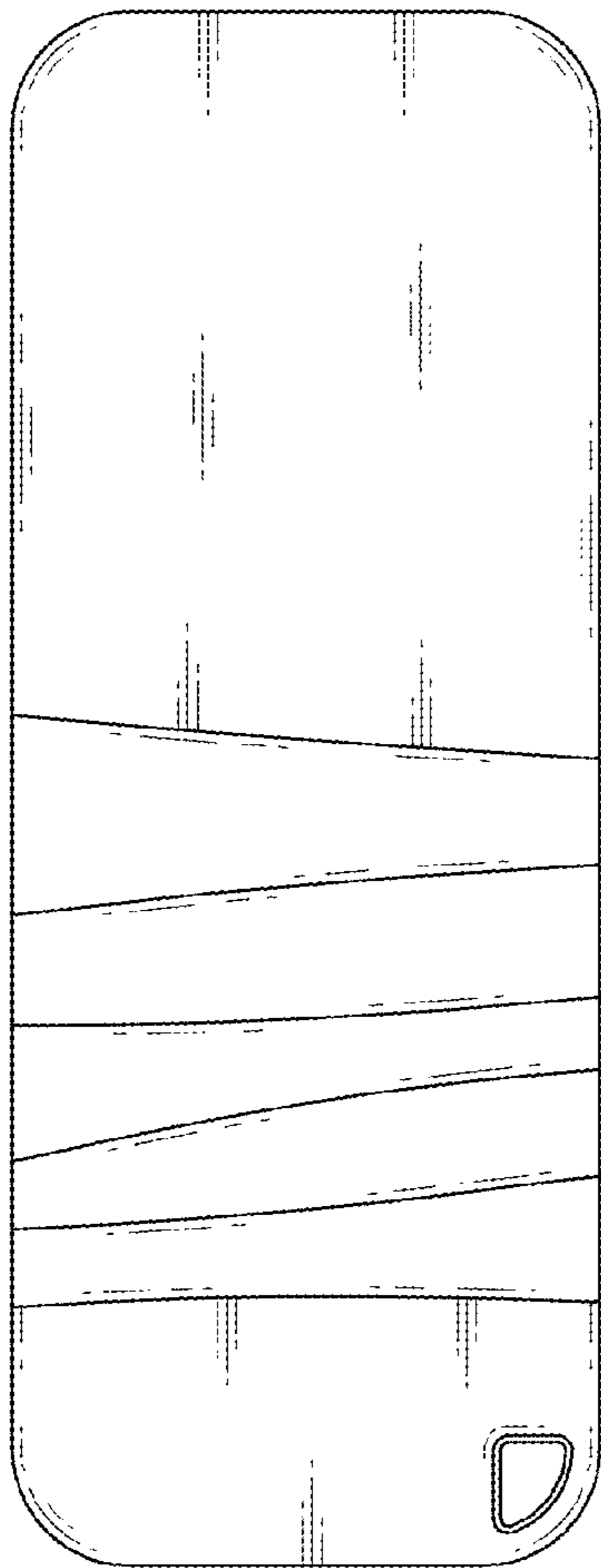


FIG. 7

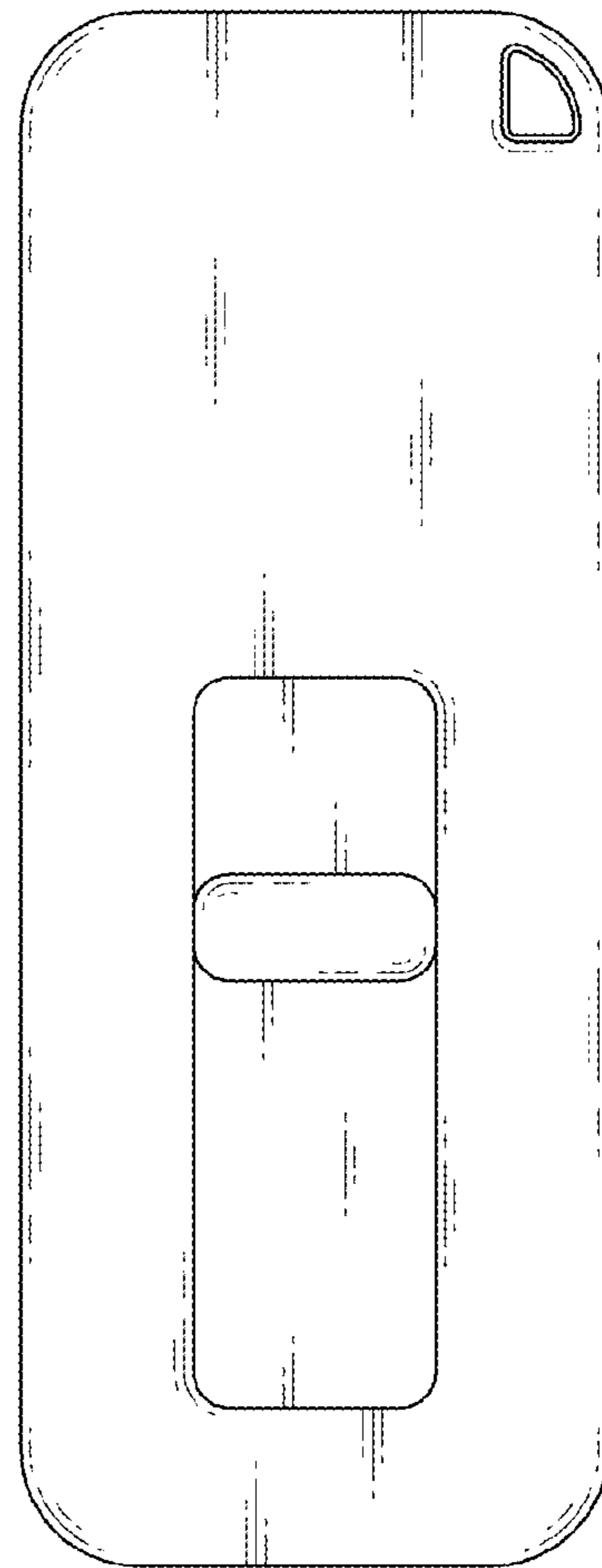


FIG. 8

