



US00D711390S

(12) **United States Design Patent**
Sun et al.

(10) **Patent No.:** **US D711,390 S**

(45) **Date of Patent:** **** Aug. 19, 2014**

(54) **PORTABLE MEMORY DEVICE**

(71) Applicant: **Biwin Storage Technology Limited,**
Shenzhen (CN)

(72) Inventors: **Rixin Sun,** Shenzhen (CN); **Wei Lu,**
Shenzhen (CN); **Zhenhua Li,** Shenzhen
(CN); **Lin Hu,** Shenzhen (CN); **Yafei**
Wang, Shenzhen (CN); **Zhaofeng Ju,**
Shenzhen (CN)

(73) Assignee: **Biwin Storage Technology Limited,**
Shenzhen (CN)

(**) Term: **14 Years**

(21) Appl. No.: **29/457,760**

(22) Filed: **Jun. 12, 2013**

(51) **LOC (10) Cl.** **14-02**

(52) **U.S. Cl.**
USPC **D14/480.6**

(58) **Field of Classification Search**
CPC H05K 5/0278; G06K 19/07732
USPC D14/411, 433, 435.1, 436, 480.1–480.7,
D14/484.1, 137, 155, 203.1–203.8, 240,
D14/242; D13/133, 154

See application file for complete search history.

(56) **References Cited**

U.S. PATENT DOCUMENTS

6,932,629	B2 *	8/2005	Ikenoue	439/138
7,035,110	B1 *	4/2006	Wang et al.	361/737
D556,195	S *	11/2007	Lin	D14/480.3
D556,751	S *	12/2007	Rambosek et al.	D14/480.6
D563,954	S *	3/2008	Buchanon	D14/480.7
D580,434	S *	11/2008	Kim	D14/480.6
D581,926	S *	12/2008	Kim	D14/480.6
7,466,556	B2 *	12/2008	Hiew et al.	361/737
7,473,112	B2 *	1/2009	Zhu et al.	439/142

7,500,858	B2 *	3/2009	Emerson et al.	439/136
D594,871	S *	6/2009	Ma	D14/480.6
7,544,073	B2 *	6/2009	Nguyen et al.	439/135
7,549,875	B2 *	6/2009	Rambosek et al.	439/136
7,672,122	B2 *	3/2010	Lin et al.	361/679.31
7,673,357	B1 *	3/2010	Stump et al.	7/151
7,699,630	B2 *	4/2010	Kim	439/136
7,740,495	B1 *	6/2010	Lo	439/142
D620,015	S *	7/2010	Nan et al.	D14/480.6
D623,192	S *	9/2010	Peng	D14/480.6
7,850,468	B2 *	12/2010	Ni et al.	439/131
D652,046	S *	1/2012	Belan	D14/480.6

(Continued)

OTHER PUBLICATIONS

Imation flash drive, [online], [retrieved on Dec. 4, 2006]. Retrieved from the Internet <URL: <http://www.sosoft.net/product/imation/5464-3.png>>.*

(Continued)

Primary Examiner — Karen E Kearney

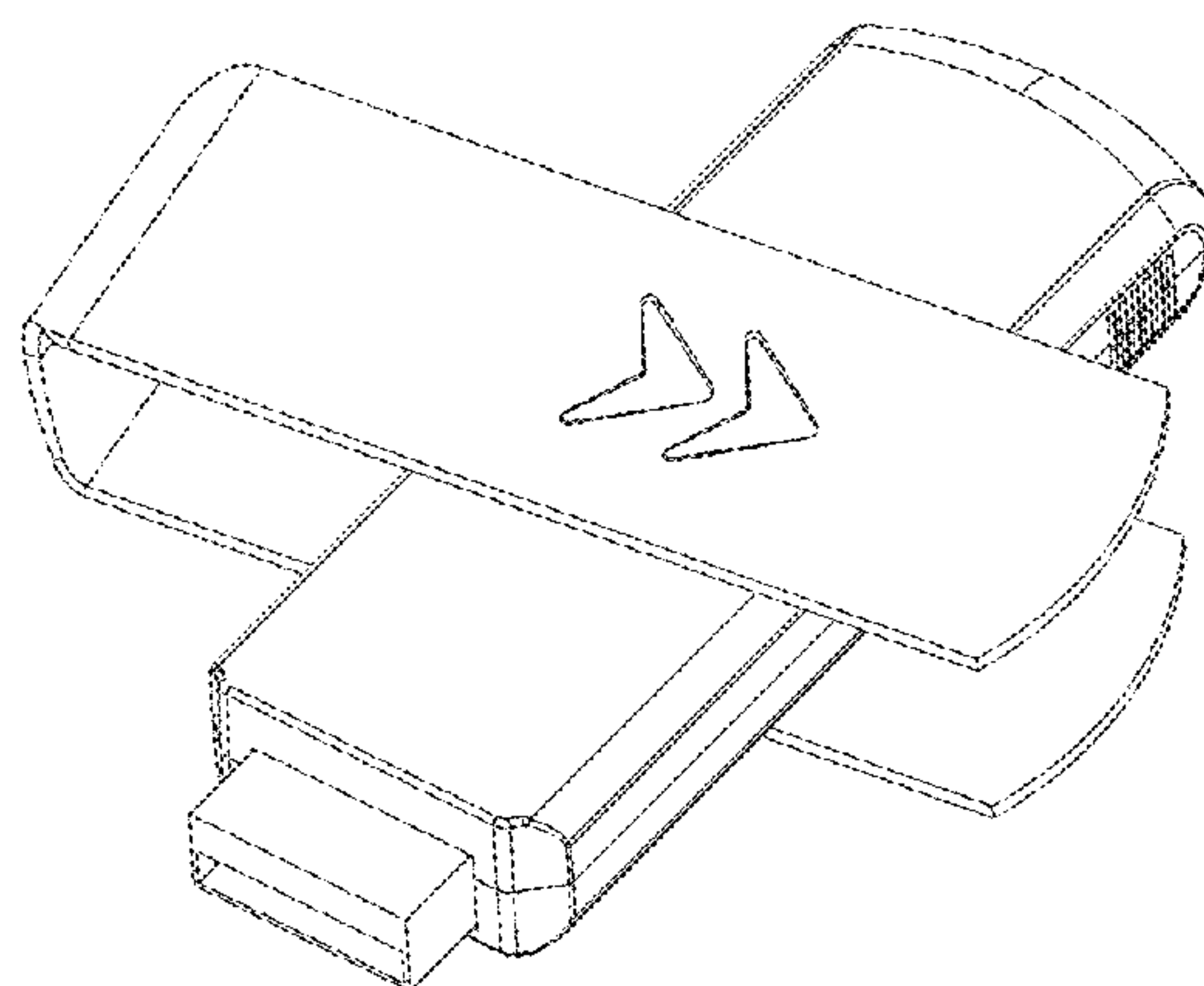
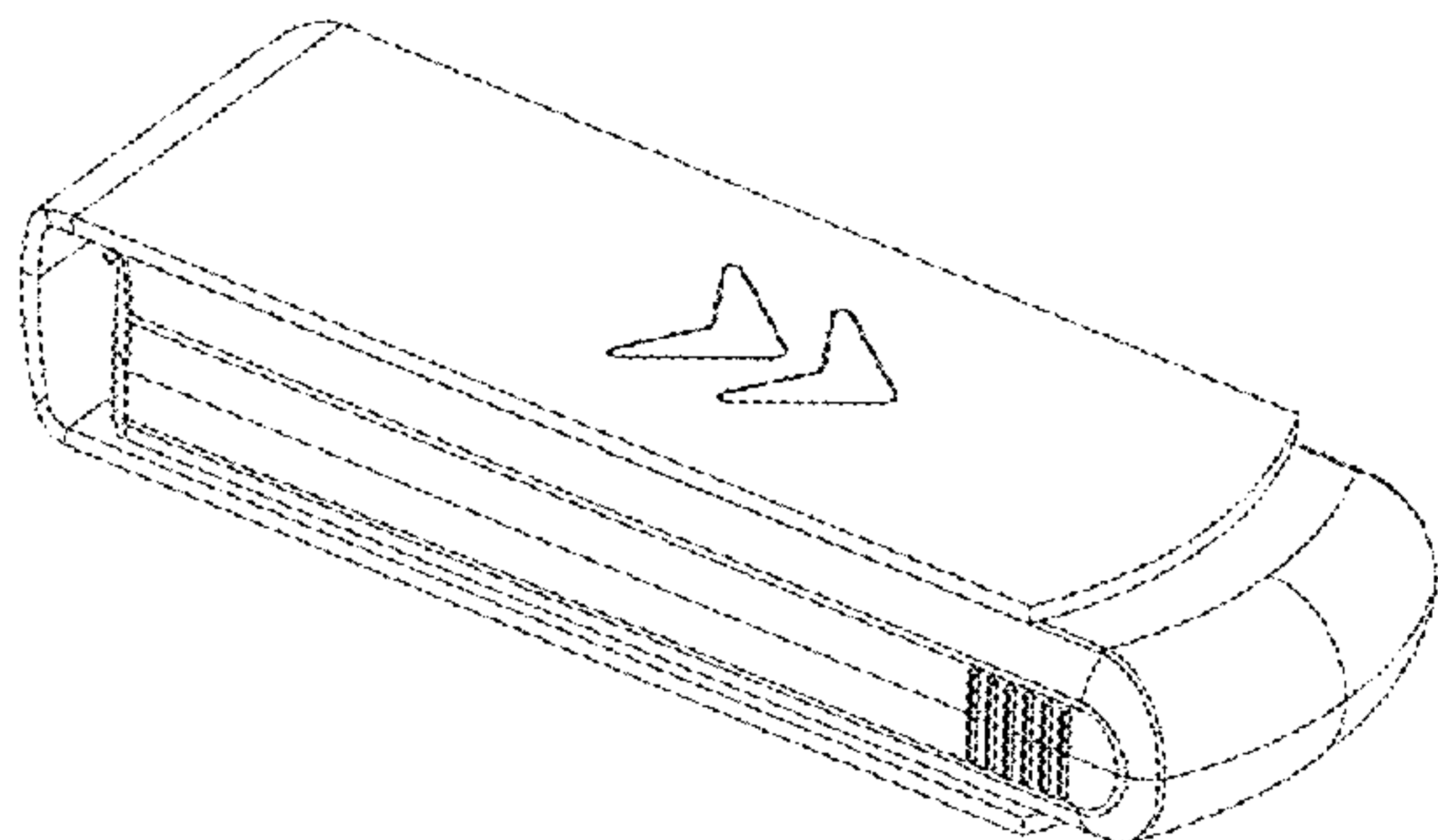
(57) **CLAIM**

The ornamental design for a portable memory device, as shown and described.

DESCRIPTION

FIG. 1 is a front view of a portable memory device;
FIG. 2 is a rear view thereof;
FIG. 3 is a left view thereof;
FIG. 4 is a top view thereof;
FIG. 5 is a bottom view thereof;
FIG. 6 is a perspective view thereof;
FIG. 7 is a perspective view thereof, showing the cover in a fully open position; and,
FIG. 8 is a perspective view thereof, showing the cover in a partially open position.
The right view is a mirror image of the left view.

1 Claim, 8 Drawing Sheets



(56)

References Cited

U.S. PATENT DOCUMENTS

8,179,670 B2 * 5/2012 Huang 361/679.31
D670,297 S * 11/2012 Huang D14/480.5
8,514,560 B2 * 8/2013 Wu 361/679.31
2009/0108056 A1 * 4/2009 Faust et al. 235/375
2010/0265649 A1 * 10/2010 Singh et al. 361/679.32

OTHER PUBLICATIONS

Laptoplog >> Usb: Memoria Flash Swivel USB de 4Gb, [online]
Dec. 20, 2005 [retrieved on Jan. 30, 2007]. Retrieved from the
Internet <URL: [http://www.laptoplog.com/category/accesorios/
usb/](http://www.laptoplog.com/category/accesorios/usb/)>.*

* cited by examiner

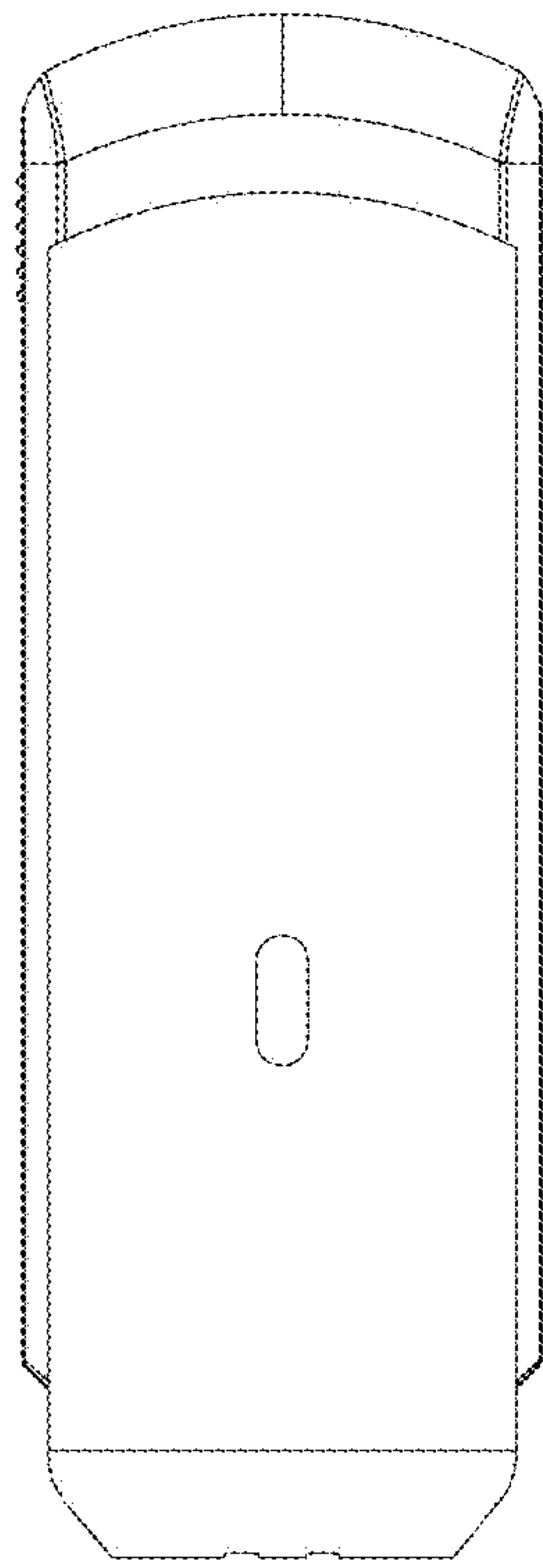


Fig. 1

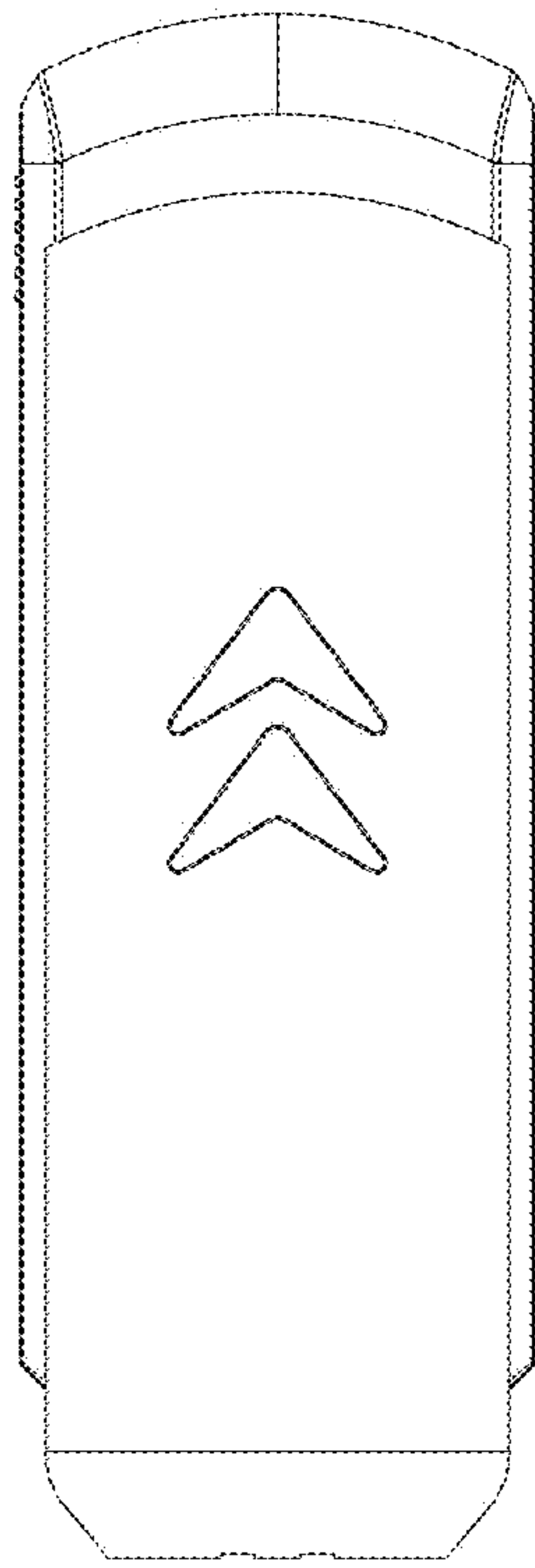


Fig.2

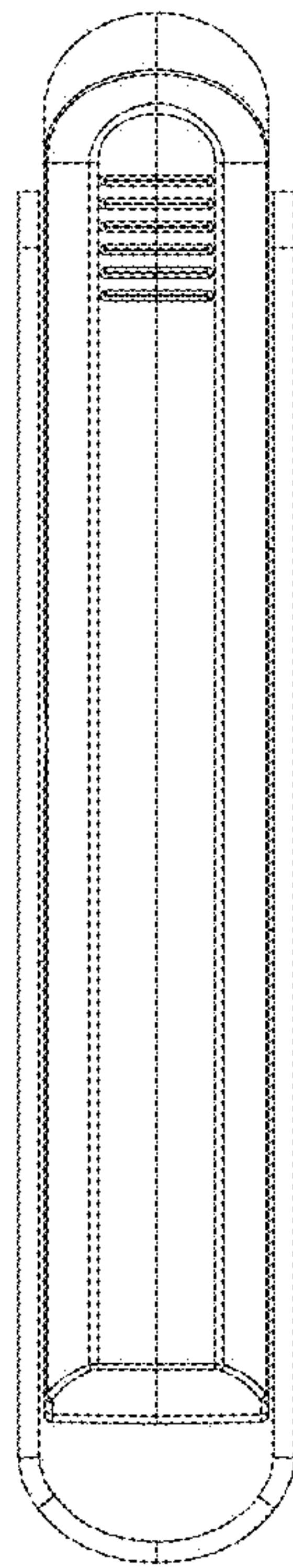


Fig.3

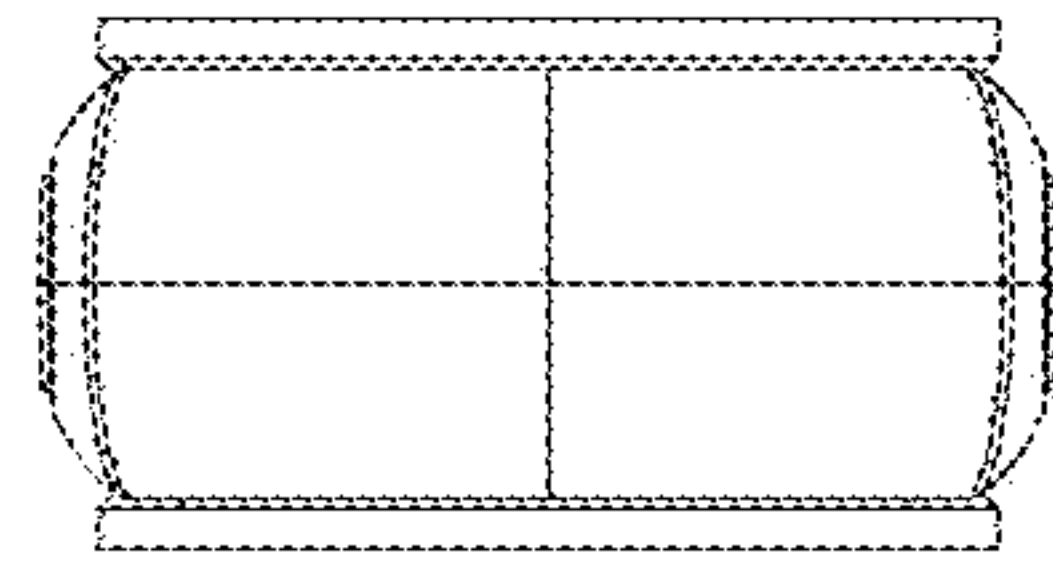


Fig.4

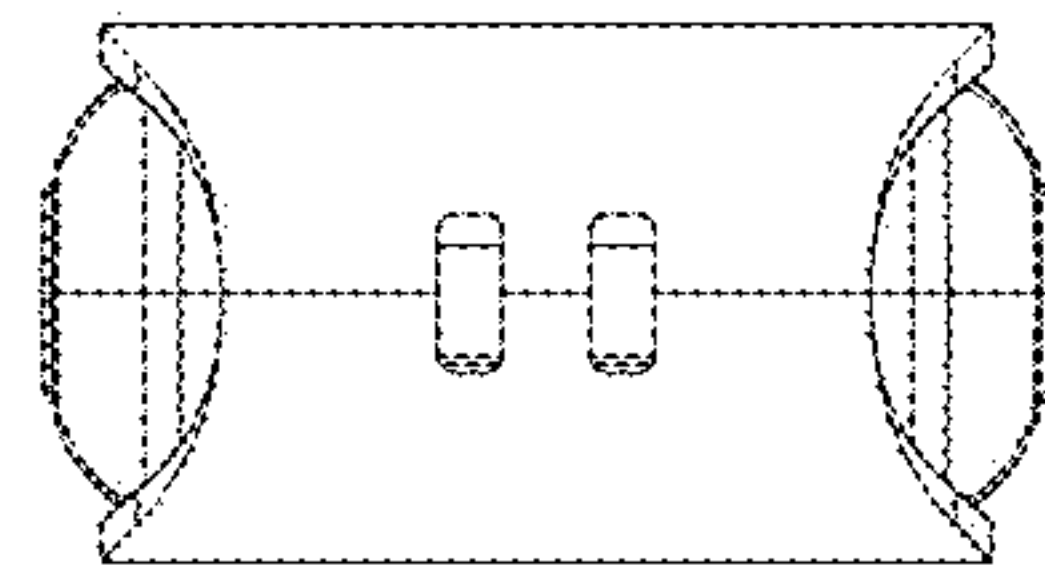


Fig.5

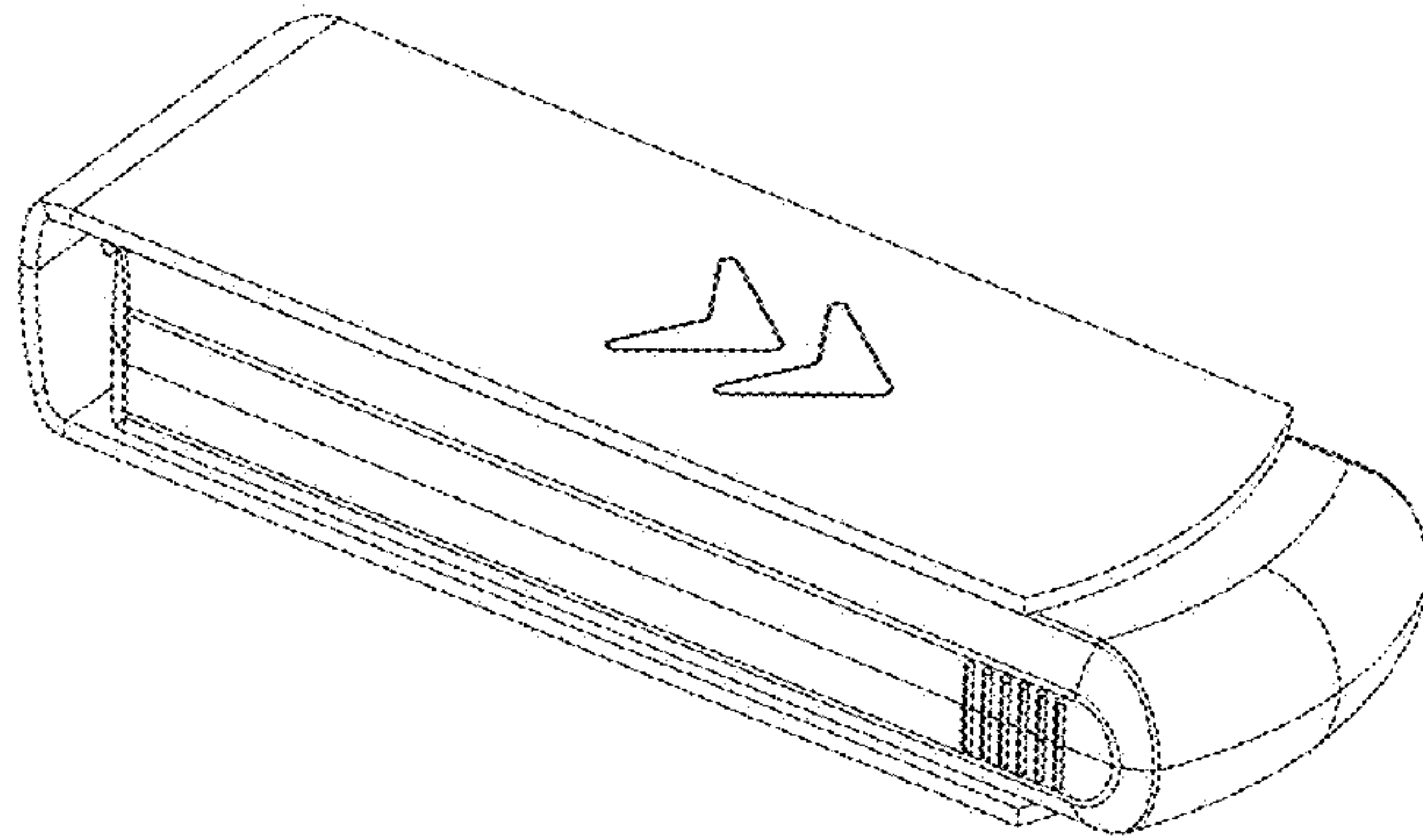


Fig.6

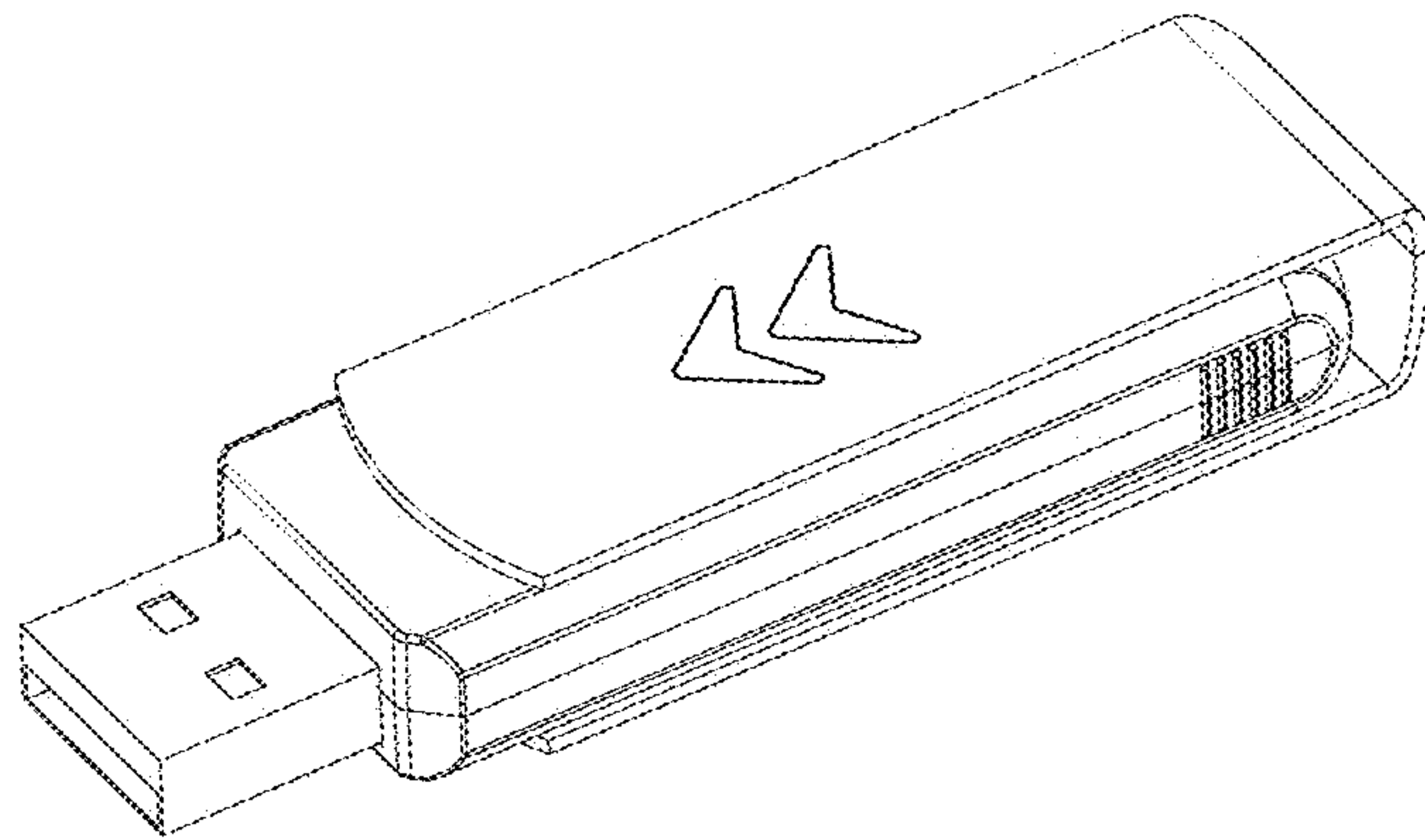


Fig.7

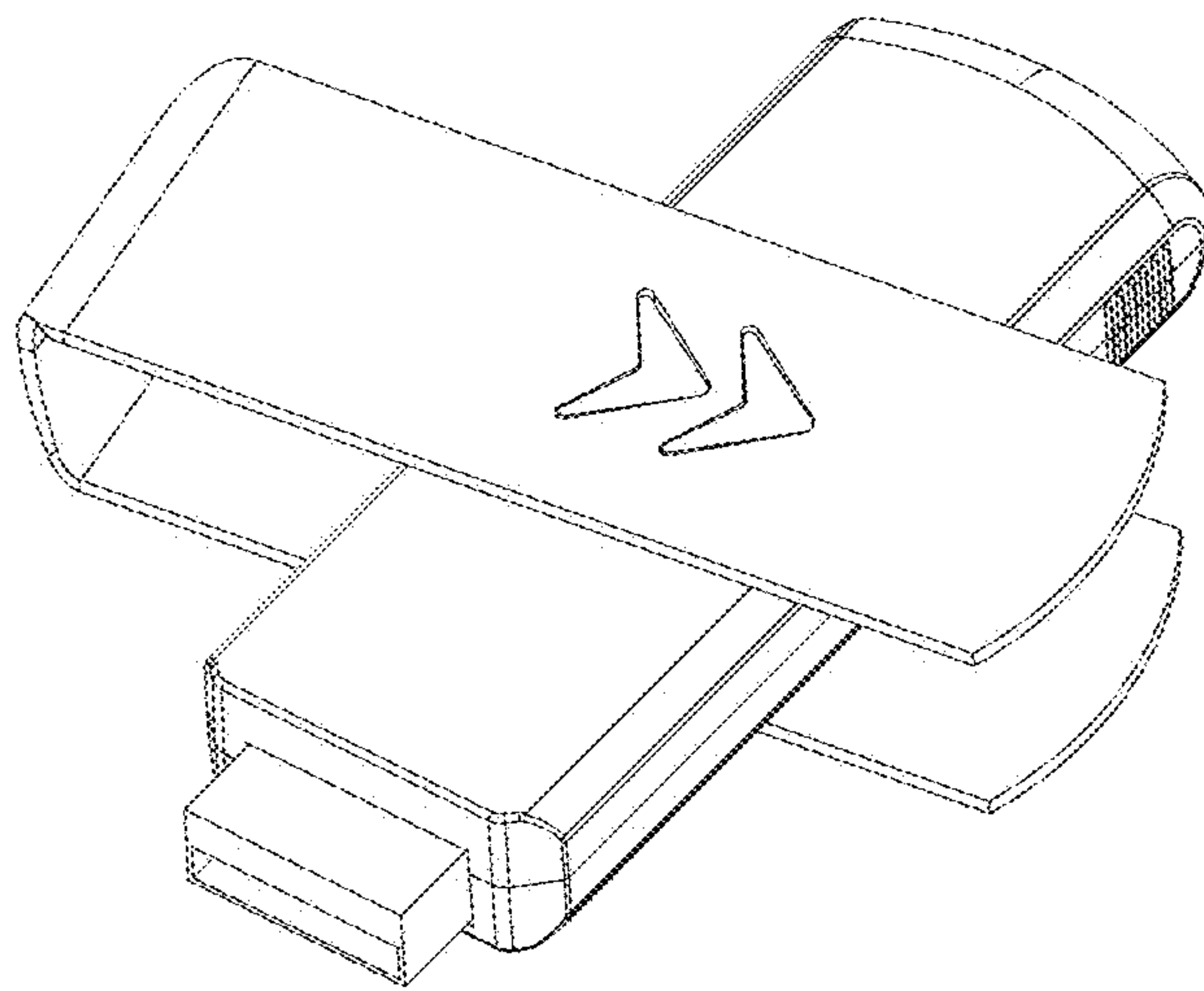


Fig.8