

US00D711388S

(12) **United States Design Patent**
Wang

(10) **Patent No.:** **US D711,388 S**

(45) **Date of Patent:** **** Aug. 19, 2014**

(54) **DOOR OF DISK DRIVE**

(76) Inventor: **Kuo-Hsin Wang**, City of Industry, CA
(US)

(**) Term: **14 Years**

(21) Appl. No.: **29/419,208**

(22) Filed: **Apr. 26, 2012**

(51) **LOC (10) Cl.** **14-02**

(52) **U.S. Cl.**
USPC **D14/444**

(58) **Field of Classification Search**
CPC G06F 1/16
USPC D13/184, 199; D14/300, 301, 302, 308,
D14/314, 348, 349, 350, 351-359, 432, 439,
D14/441-446; 312/223.1, 223.2, 223.3;
360/99.01-99.12; 361/679.31-679.33,
361/679.37, 679.39, 679.46, 679.53, 679.4,
361/679.41, 727, 679.55; 369/34.01, 36.01
See application file for complete search history.

(56) **References Cited**

U.S. PATENT DOCUMENTS

D511,777 S * 11/2005 Schmidt et al. D14/441

D511,778 S * 11/2005 Li et al. D14/441
D520,506 S * 5/2006 Wang et al. D14/441
7,265,971 B2 * 9/2007 Chen et al. 361/679.55

* cited by examiner

Primary Examiner — Freda S Nunn

(74) *Attorney, Agent, or Firm* — Alan D. Kamrath; Kamrath
IP Lawfirm, P.A.

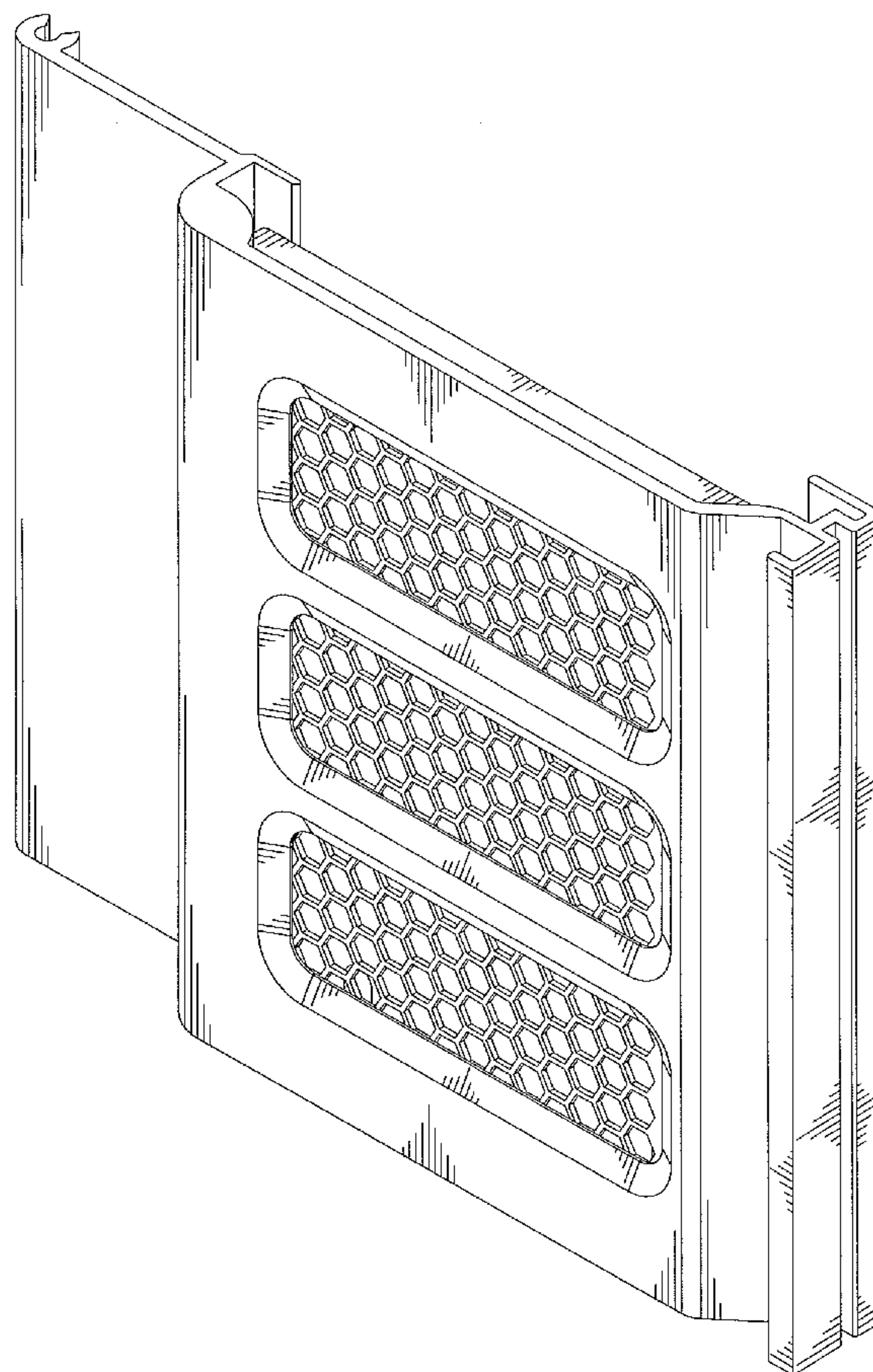
(57) **CLAIM**

The ornamental design for door of disk drive, as shown and
described.

DESCRIPTION

FIG. 1 is a perspective view of a door of disk drive showing
my new design;
FIG. 2 is a front view thereof;
FIG. 3 is a rear view thereof;
FIG. 4 is a left view thereof;
FIG. 5 is a right view thereof; and,
FIG. 6 is a top view thereof, with the opposite side being a
mirror image thereof.

1 Claim, 5 Drawing Sheets



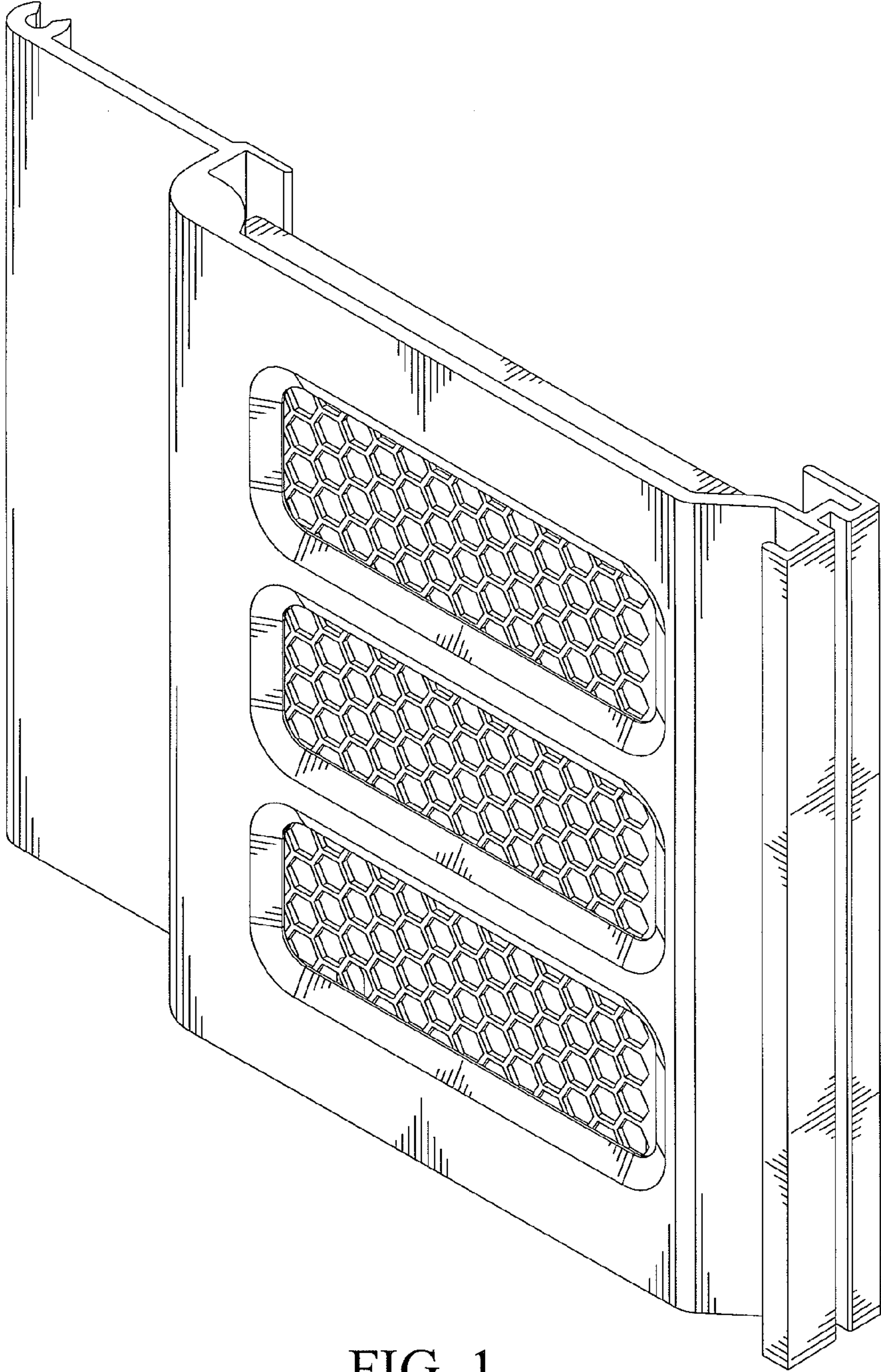


FIG. 1

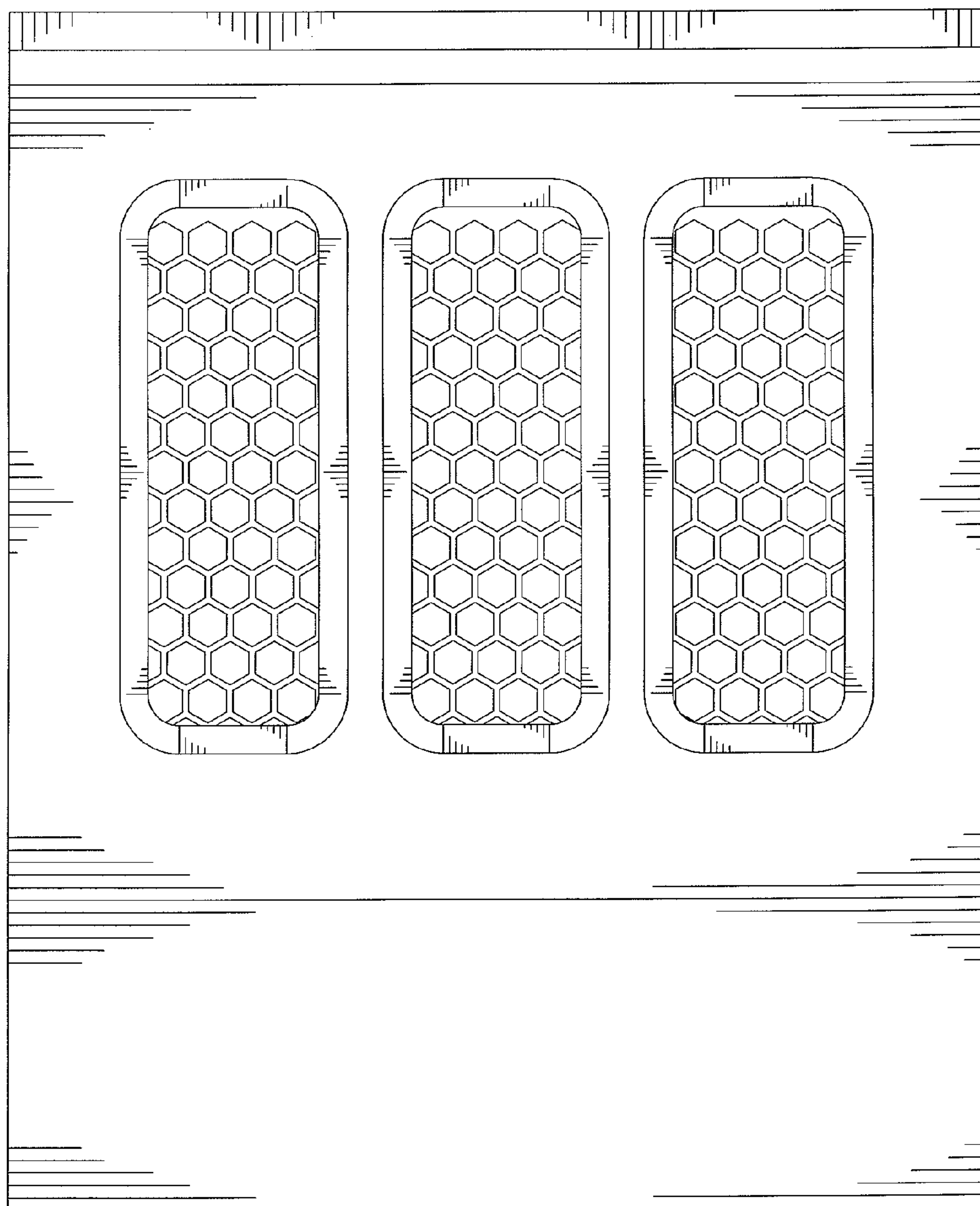


FIG. 2

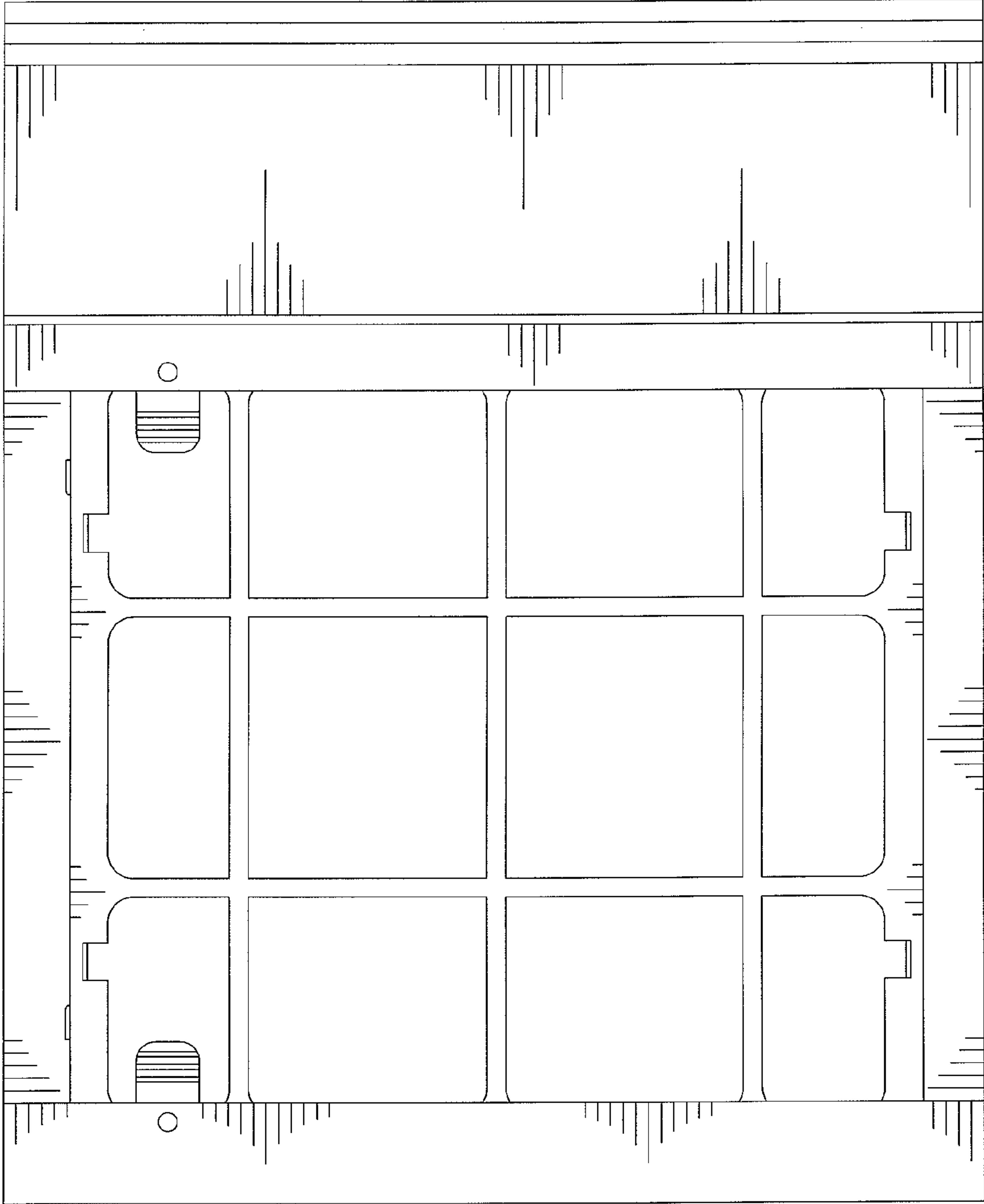


FIG. 3

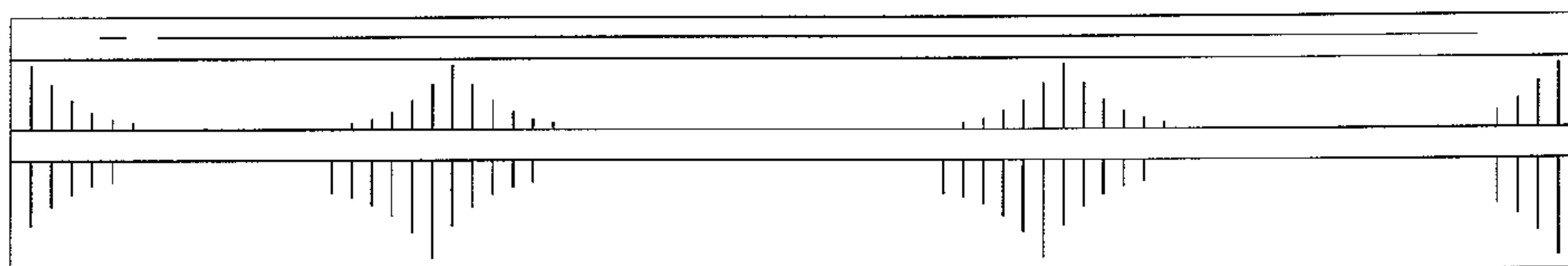


FIG. 5

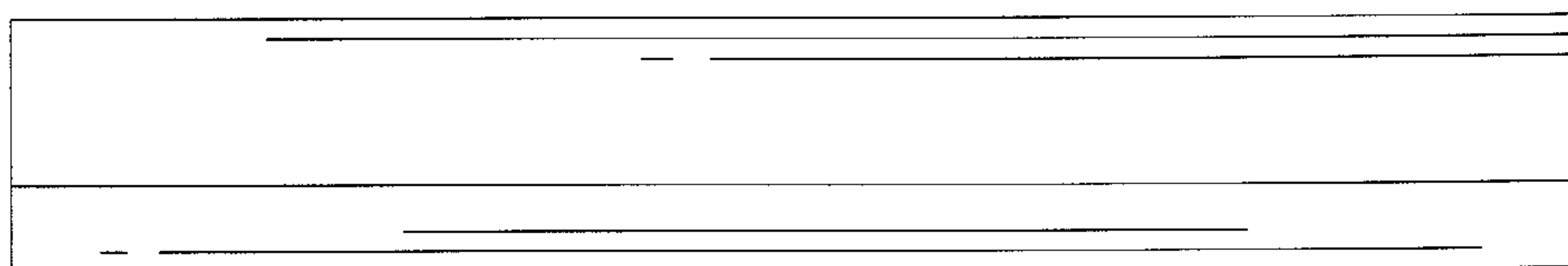


FIG. 4

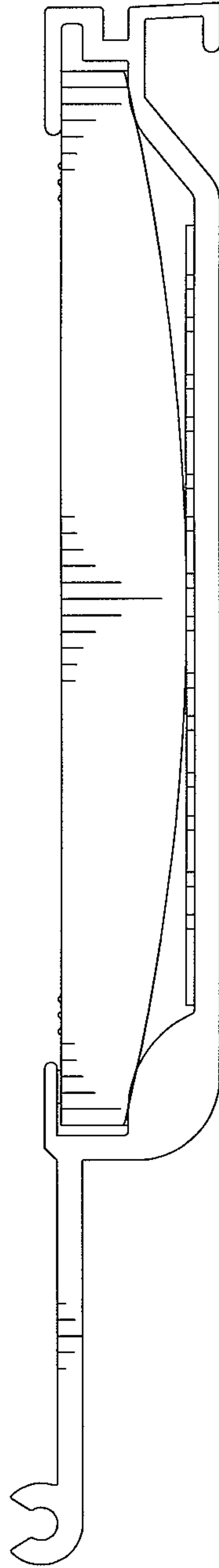


FIG. 6