



US00D711387S

(12) **United States Design Patent**
Kuehn et al.

(10) **Patent No.:** **US D711,387 S**
(45) **Date of Patent:** **** Aug. 19, 2014**

(54) **BEZEL FOR A TOP LOADING SERVER CARTRIDGE**

(71) Applicant: **Hewlett-Packard Development Company, L.P.**, Houston, TX (US)

(72) Inventors: **Keith J. Kuehn**, Magnolia, TX (US);
Kevin D. Conn, Montgomery, TX (US)

(73) Assignee: **Hewlett-Packard Development Company, L.P.**, Houston, TX (US)

(**) Term: **14 Years**

(21) Appl. No.: **29/441,455**

(22) Filed: **Jan. 4, 2013**

(51) **LOC (10) Cl.** **14-02**

(52) **U.S. Cl.**
USPC **D14/441; D14/435**

(58) **Field of Classification Search**
USPC D14/441-446, 313, 349, 356, 360-368,
D14/301; D13/162, 184, 199; 312/223.2;
360/99.01-99.12; 361/679.31-679.33,
361/679.55; 369/34.01, 36.01
See application file for complete search history.

(56) **References Cited**

U.S. PATENT DOCUMENTS

6,067,225 A * 5/2000 Reznikov et al. 361/679.31

D447,484 S * 9/2001 Reznikov et al. D14/441
6,490,153 B1 * 12/2002 Casebolt et al. 361/679.33
D484,509 S * 12/2003 Frank et al. D14/441
D494,975 S * 8/2004 McClelland et al. D14/435
D545,321 S * 6/2007 Frank et al. D14/439
7,379,294 B2 * 5/2008 Chen 361/679.33
D588,132 S * 3/2009 Lauffer et al. D14/432
D685,373 S * 7/2013 Santos et al. D14/432

* cited by examiner

Primary Examiner — Freda S Nunn

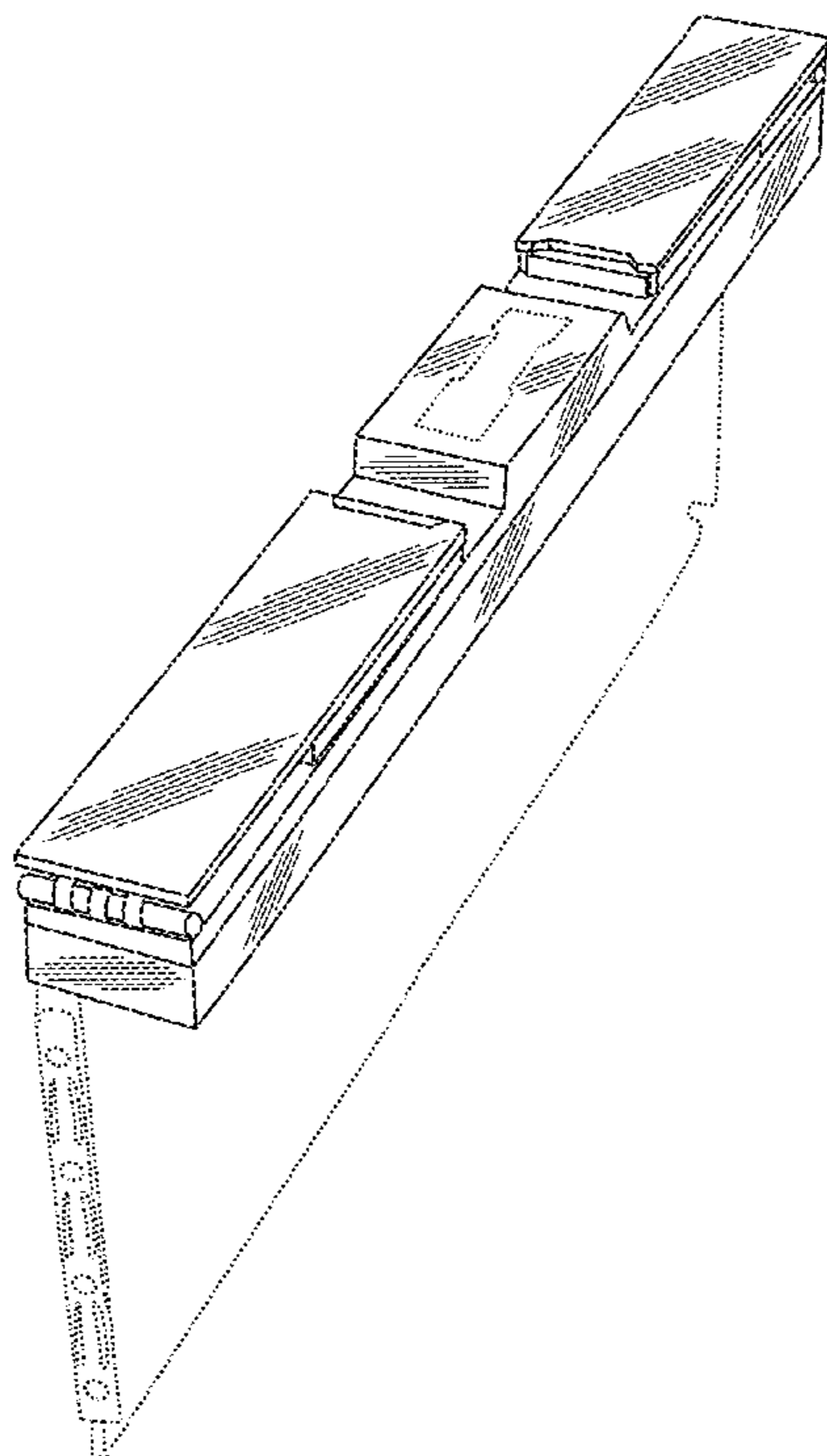
(57) **CLAIM**

The ornamental design for a bezel for a top loading server cartridge, as shown and described.

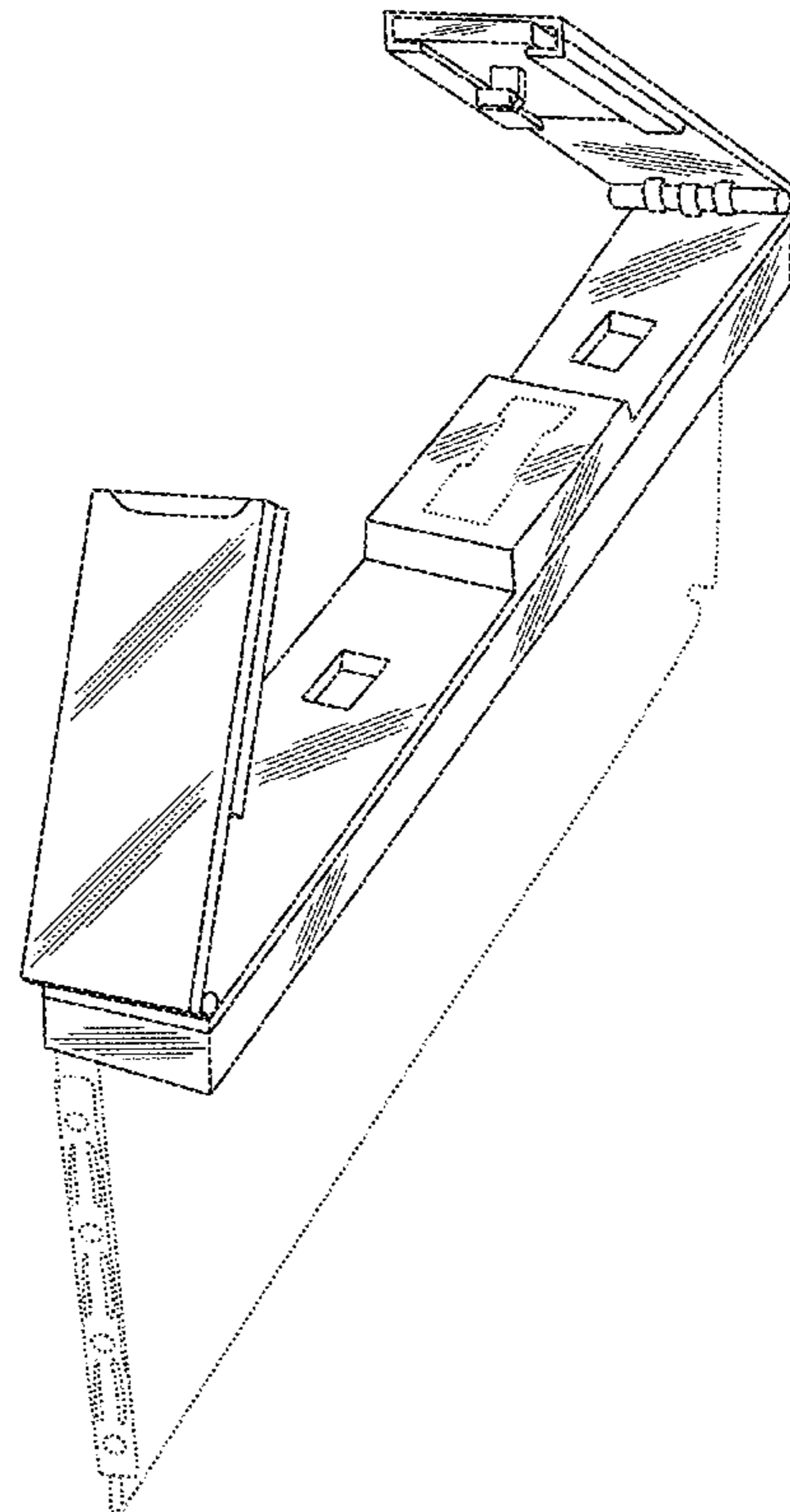
DESCRIPTION

FIG. 1 is a top perspective view of a bezel for a top loading server cartridge;
FIG. 2 is a top view of the bezel of the top loading server cartridge;
FIG. 3 is a top perspective view of the bezel showing handles of the bezel in an extended orientation; and,
FIG. 4 is a top perspective view of the bezel as the cartridge is being loaded into a top loading server.
The broken lines shown in the drawings illustrate portions of the bezel for a top loading server cartridge or environmental structure and form no part of the claimed design.

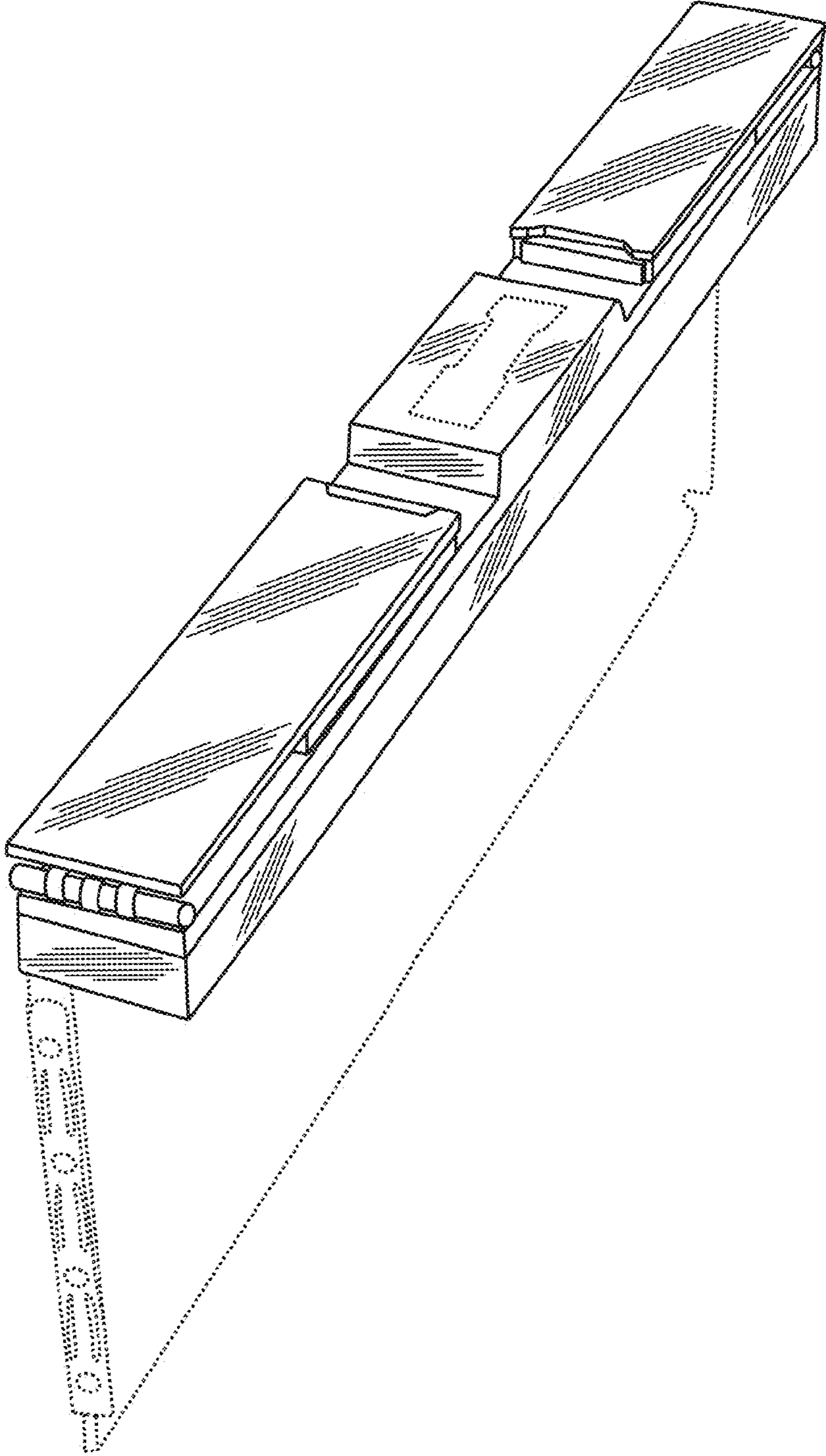
1 Claim, 4 Drawing Sheets



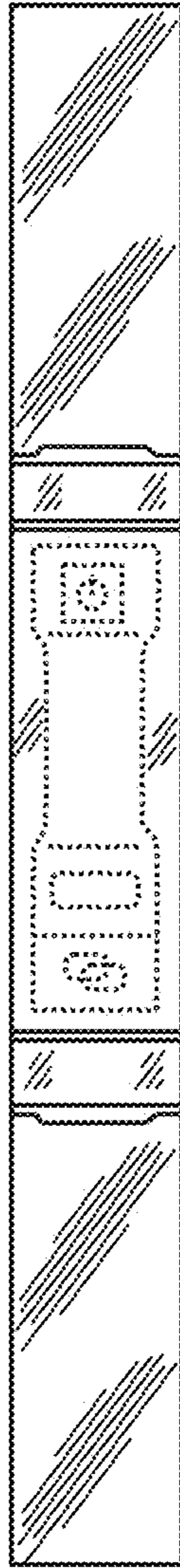
100



300

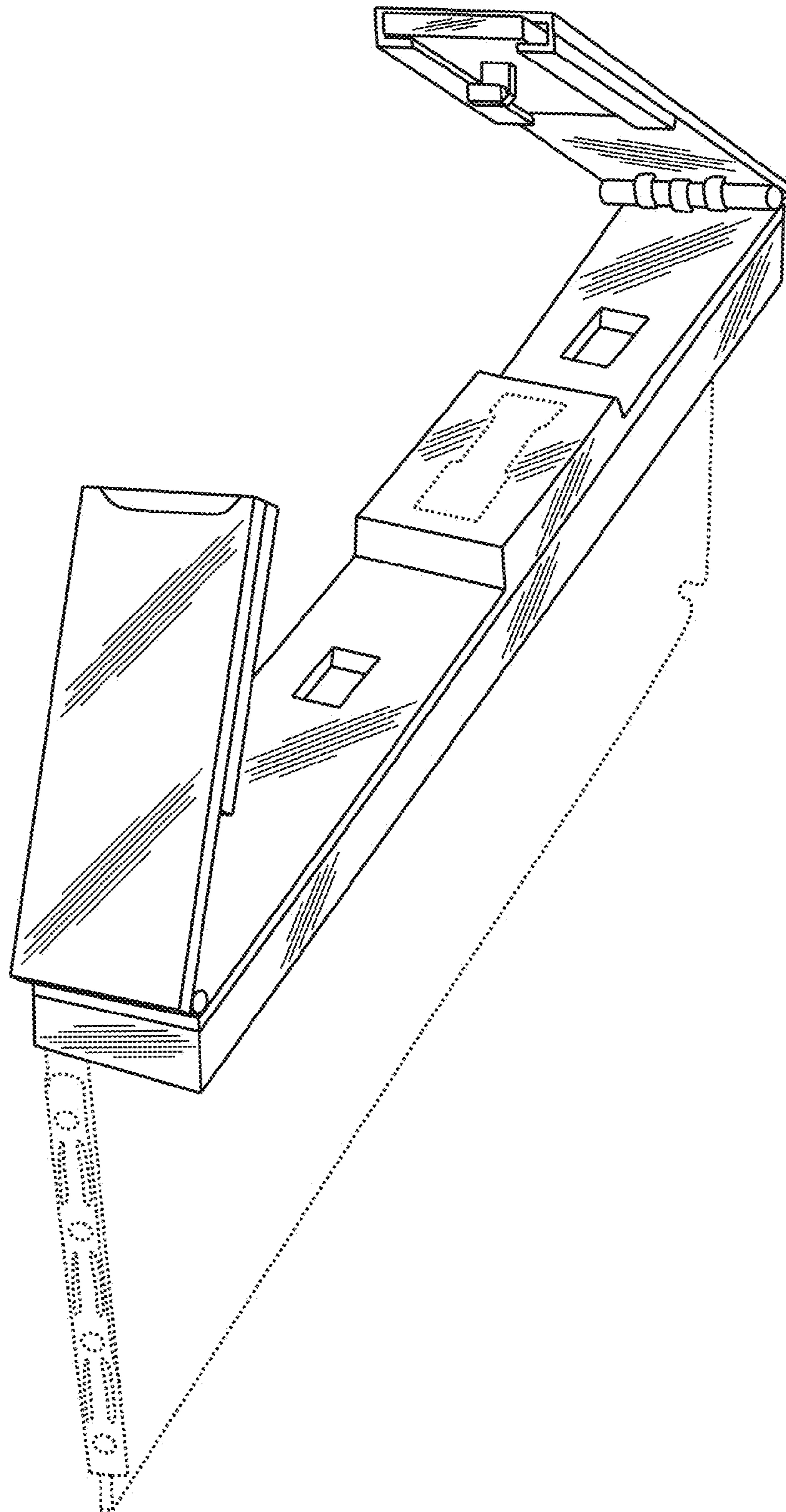


100
FIG. 1



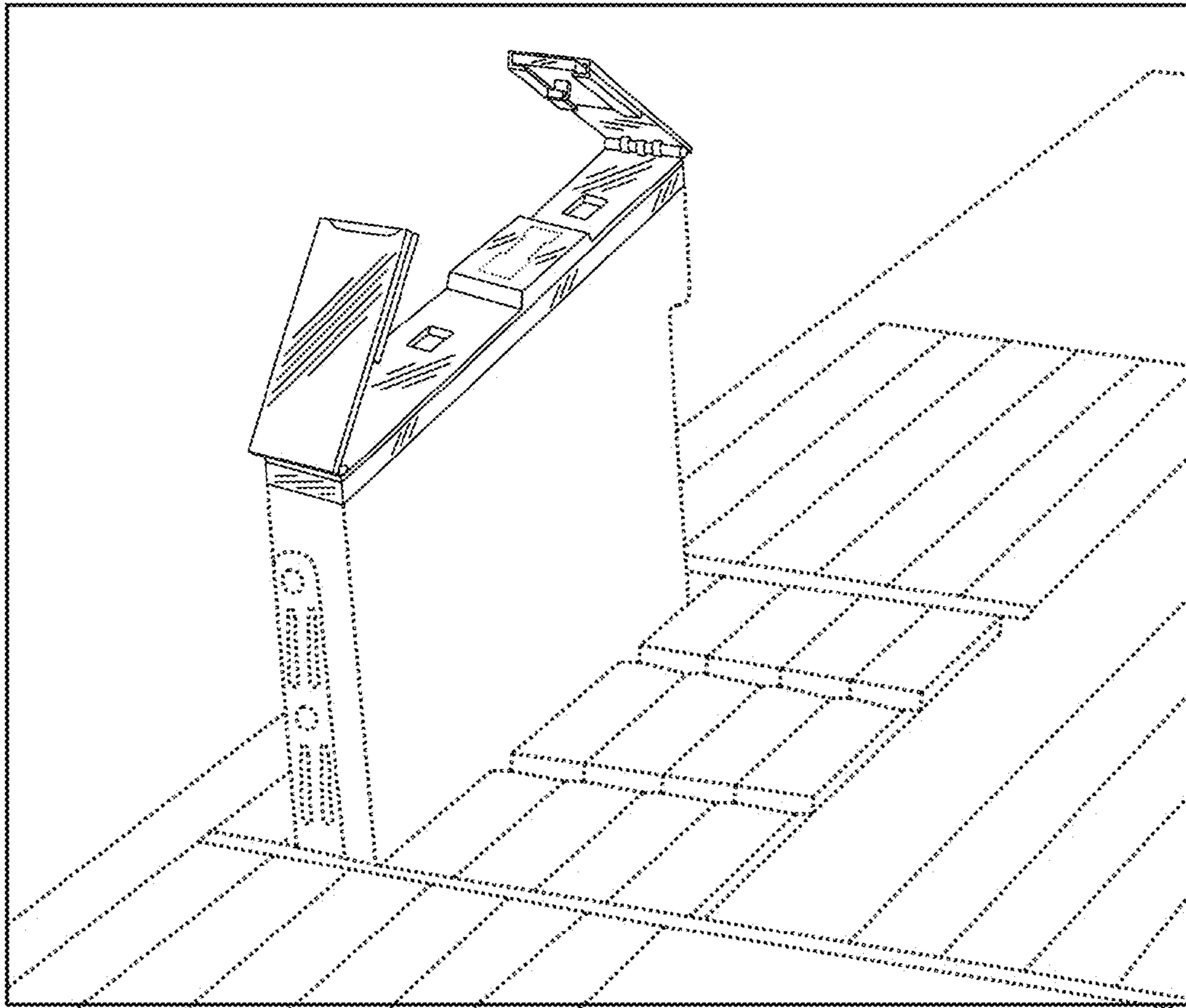
200

FIG. 2



300

FIG. 3



400

FIG. 4