



US00D711379S

(12) **United States Design Patent**
Yagi

(10) **Patent No.:** **US D711,379 S**

(45) **Date of Patent:** **** Aug. 19, 2014**

(54) **ELECTRONIC MOUSE**

(71) Applicant: **Panasonic Corporation**, Kadoma (JP)

(72) Inventor: **Ryoichi Yagi**, Osaka (JP)

(73) Assignee: **Panasonic Corporation**, Osaka (JP)

(**) Term: **14 Years**

(21) Appl. No.: **29/482,058**

(22) Filed: **Feb. 13, 2014**

(30) **Foreign Application Priority Data**

Aug. 29, 2013 (JP) 2013-019859

Dec. 20, 2013 (JP) 2013-029959

(51) **LOC (10) Cl.** **14-02**

(52) **U.S. Cl.**
USPC **D14/408**

(58) **Field of Classification Search**
USPC D14/402–411, 356, 388, 389, 383–385,
D14/417, 426; 345/156–167; 463/36–38;
358/471, 473; 273/148 B; D6/692.2
See application file for complete search history.

(56) **References Cited**

U.S. PATENT DOCUMENTS

D93,307 S *	9/1934	Treitel	D6/455
D292,253 S *	10/1987	Mackin	D6/461
D300,324 S *	3/1989	Akagi et al.	D14/408
D304,135 S *	10/1989	Mergenov	D6/477
D381,013 S *	7/1997	Allana et al.	D14/408
D389,821 S *	1/1998	Martella	D14/408
D445,794 S *	7/2001	Johnston	D14/408
6,275,215 B1 *	8/2001	Kim	345/163
D493,050 S *	7/2004	Domack	D6/480

D512,064 S *	11/2005	Li	D14/403
D534,536 S *	1/2007	Matsuoka	D14/408
D555,651 S *	11/2007	Pascucci	D14/408
D591,301 S *	4/2009	Ho et al.	D14/408
D622,979 S *	9/2010	Dively et al.	D6/451
D623,437 S *	9/2010	Dively et al.	D6/451
D685,790 S *	7/2013	Tang	D14/388

* cited by examiner

Primary Examiner — Austin Murphy

(74) *Attorney, Agent, or Firm* — Brinks Gilson & Liono

(57) **CLAIM**

I claim the ornamental design for an electronic mouse, as shown and described.

DESCRIPTION

FIG. 1 is a top perspective view of a first embodiment of an electronic mouse of the present invention;
 FIG. 2 is a bottom perspective view thereof;
 FIG. 3 is a front view thereof;
 FIG. 4 is a rear view thereof;
 FIG. 5 is a first side view thereof;
 FIG. 6 is a second side view thereof;
 FIG. 7 is a top view thereof;
 FIG. 8 is a bottom view thereof;
 FIG. 9 is a top perspective view of a second embodiment of an electronic mouse of the present invention;
 FIG. 10 is a front view thereof;
 FIG. 11 is a rear view thereof;
 FIG. 12 is a first side view thereof;
 FIG. 13 is a second side view thereof;
 FIG. 14 is a top view thereof; and,
 FIG. 15 is a bottom view thereof.

1 Claim, 15 Drawing Sheets

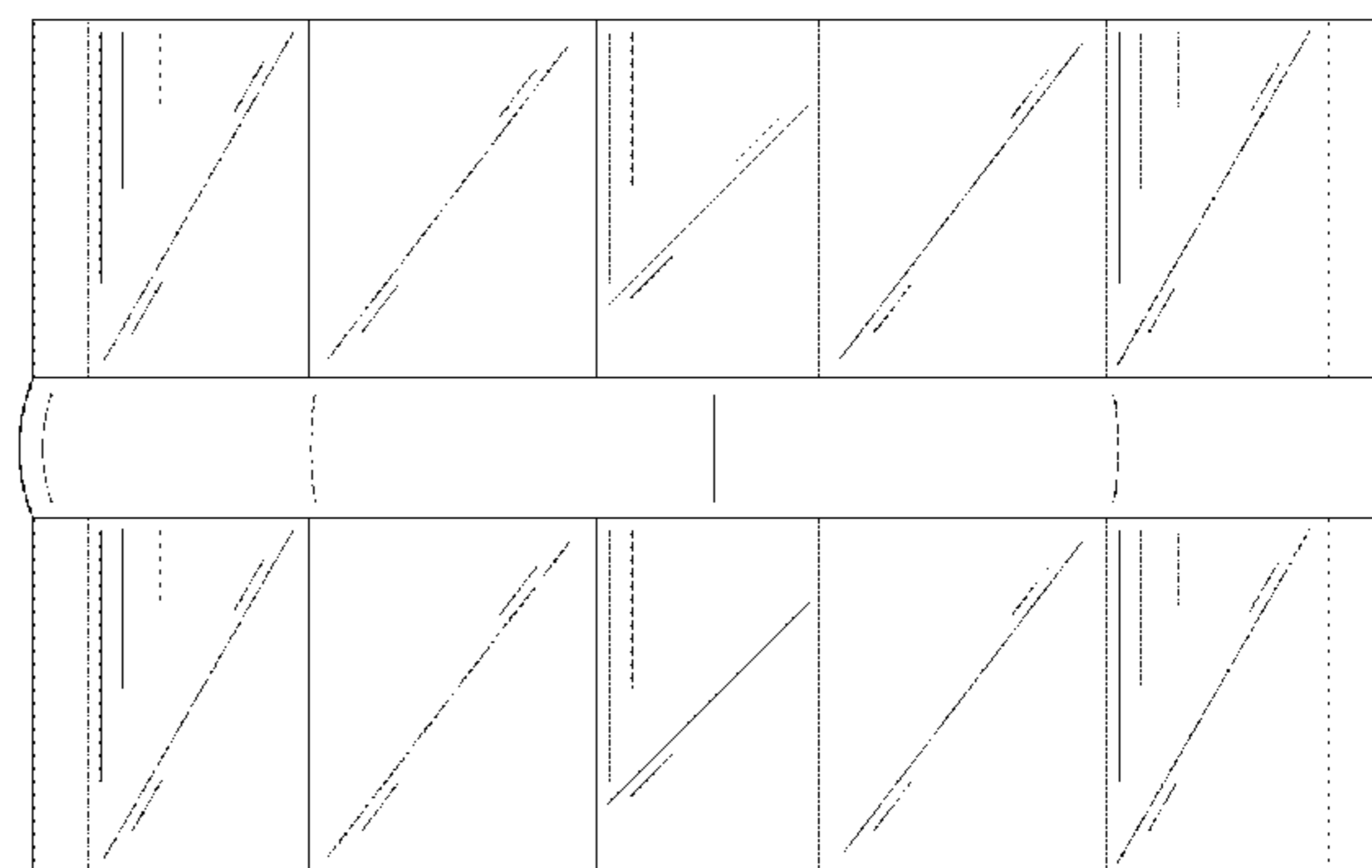
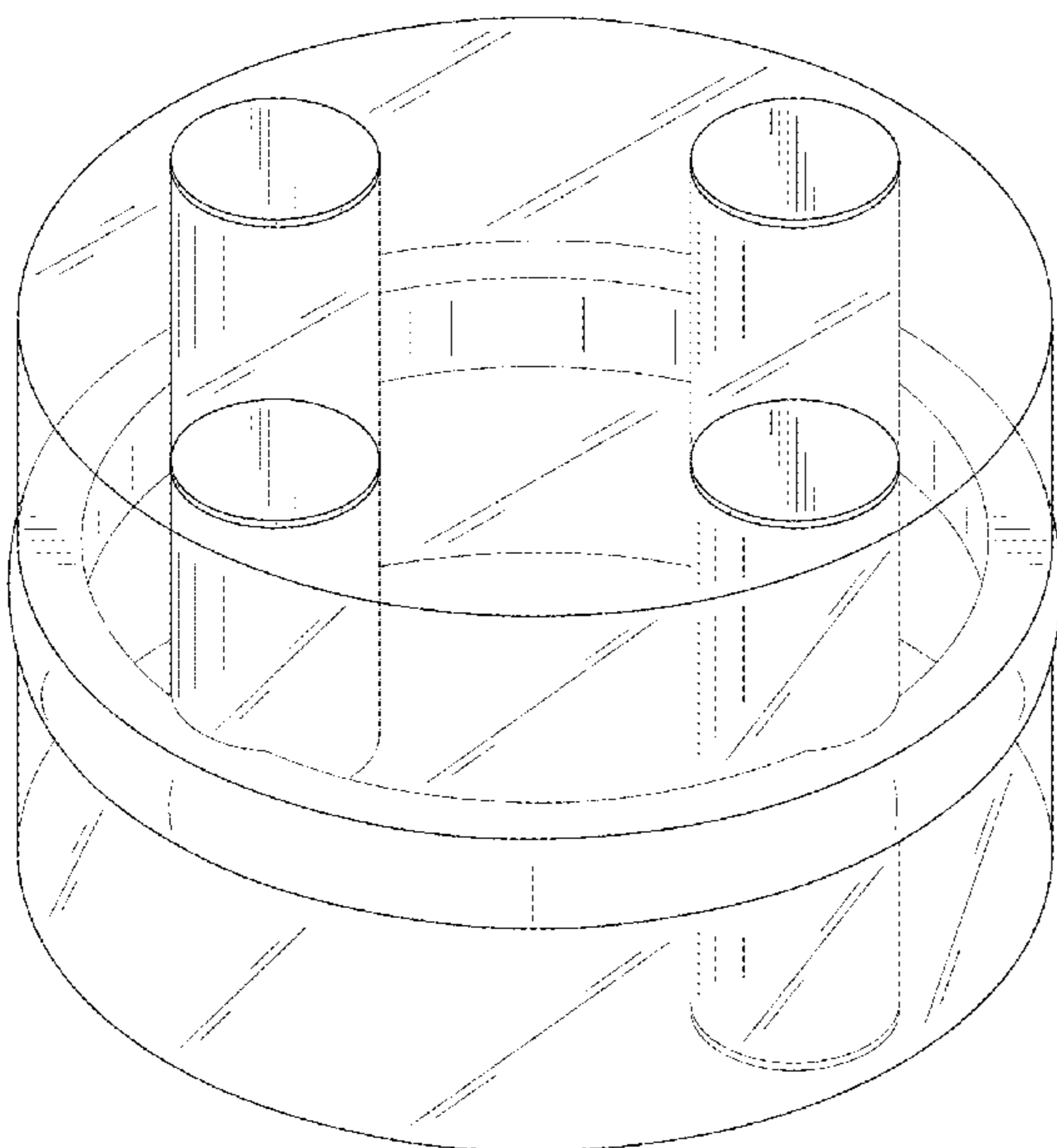


FIG.1

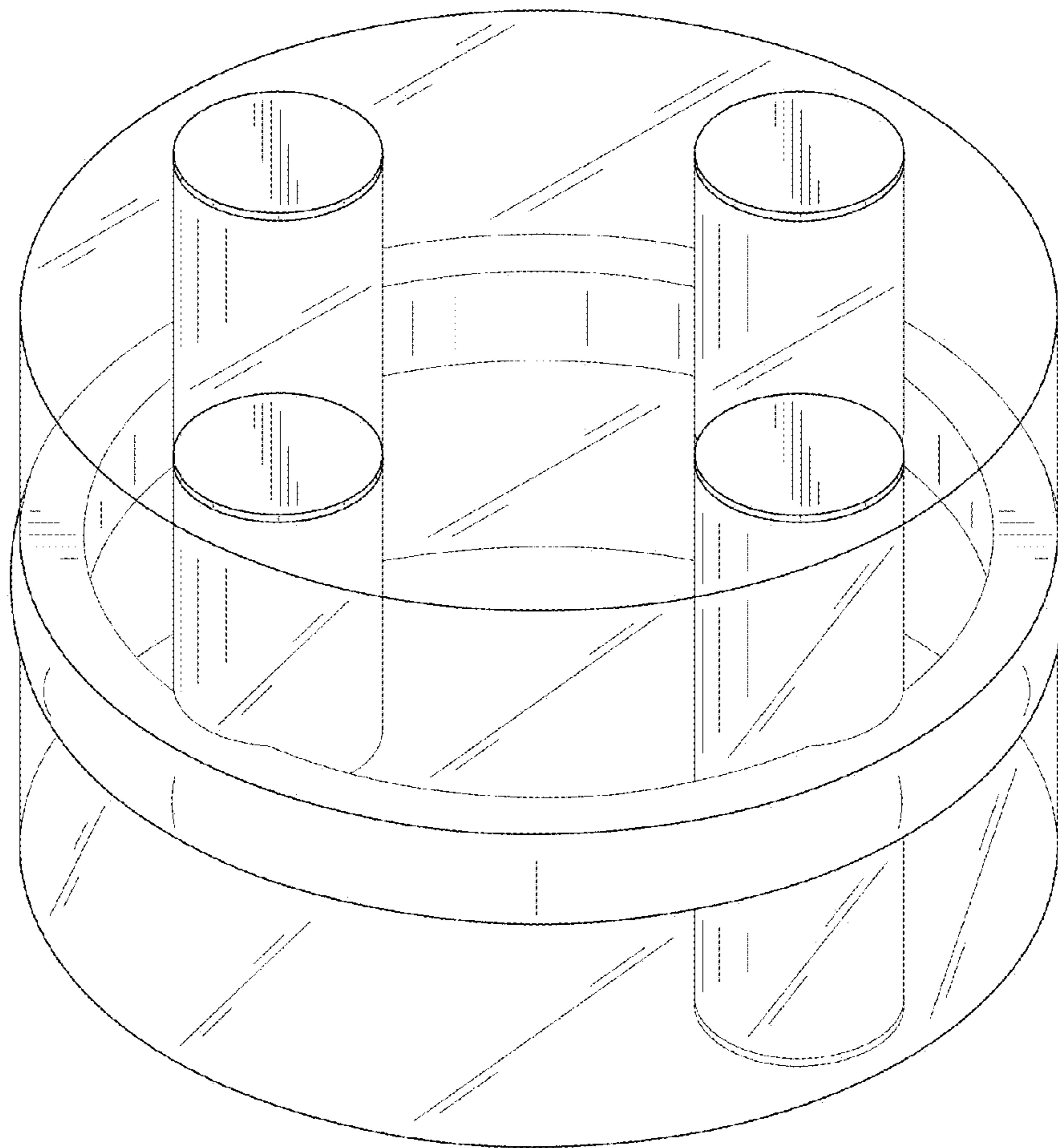


FIG.2

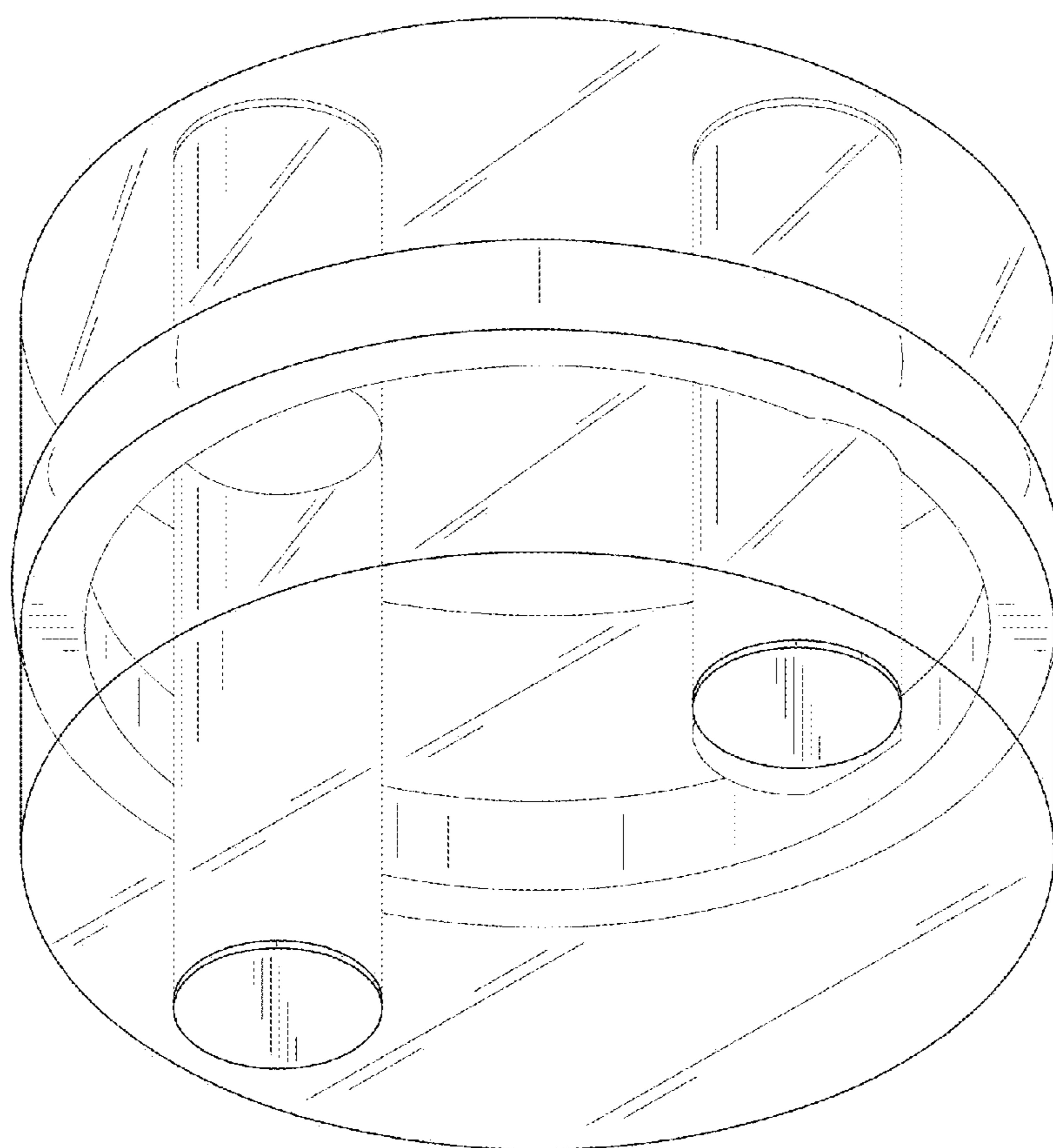


FIG.3

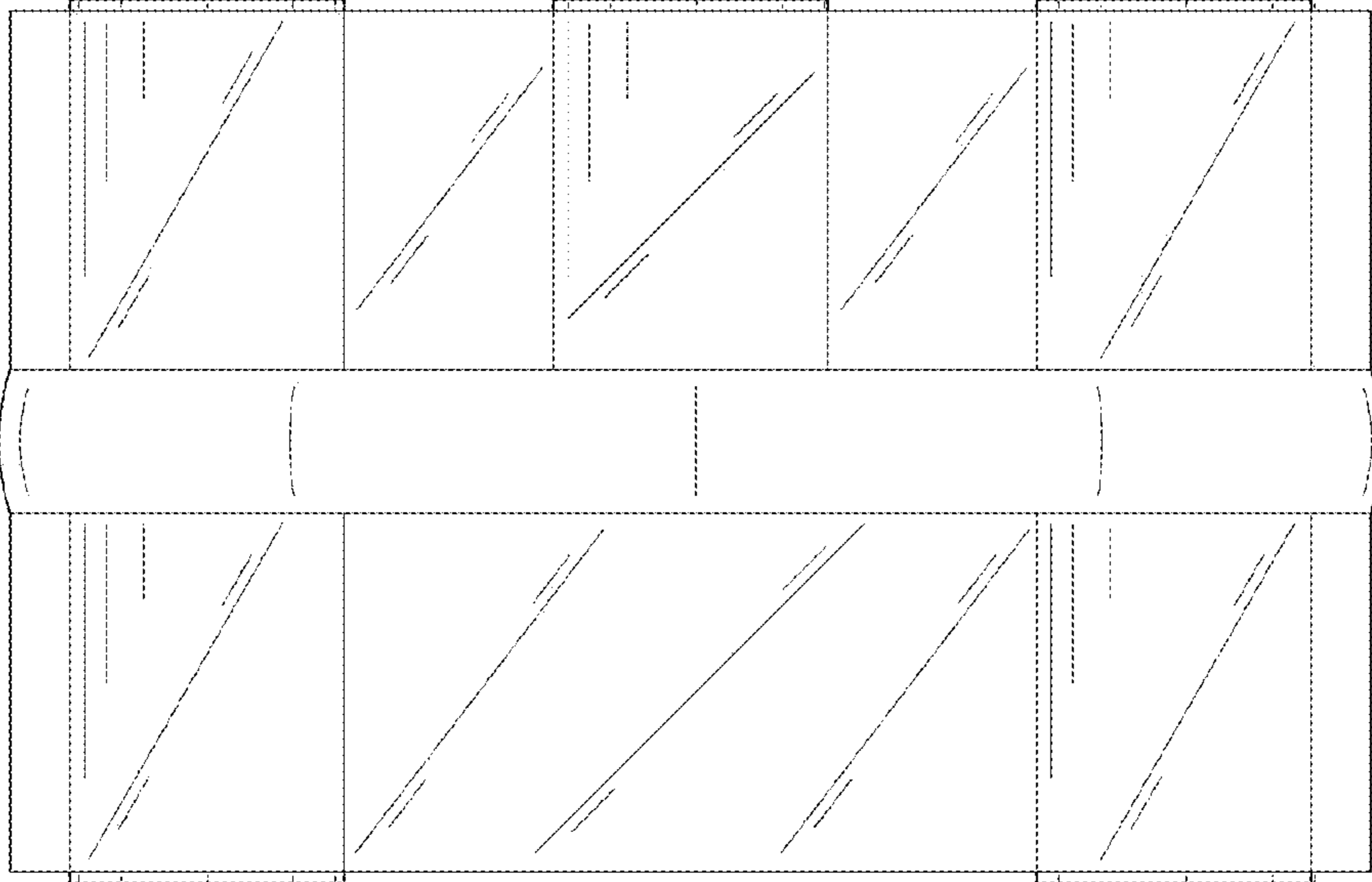


FIG.4

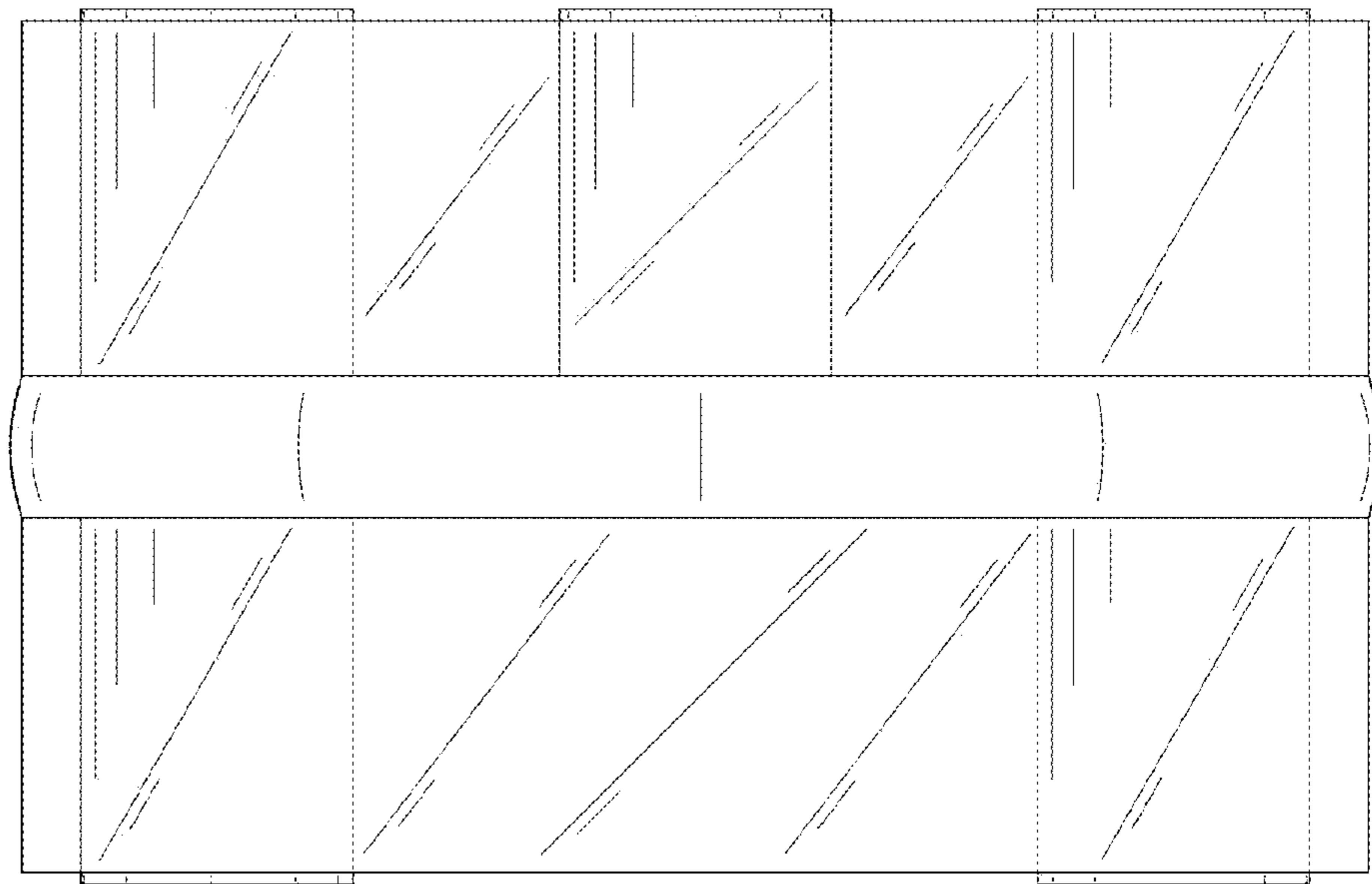


FIG.5

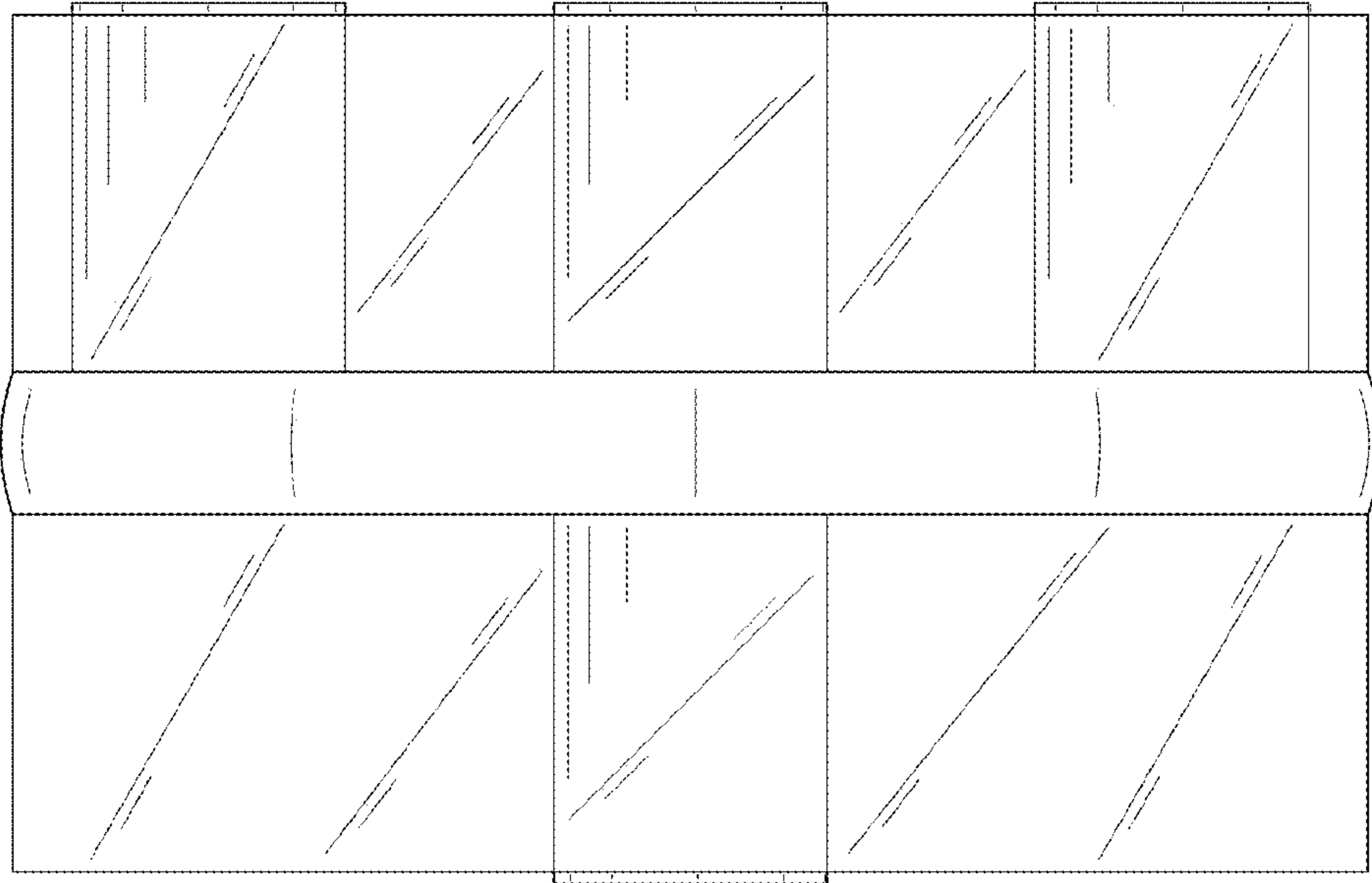


FIG.6

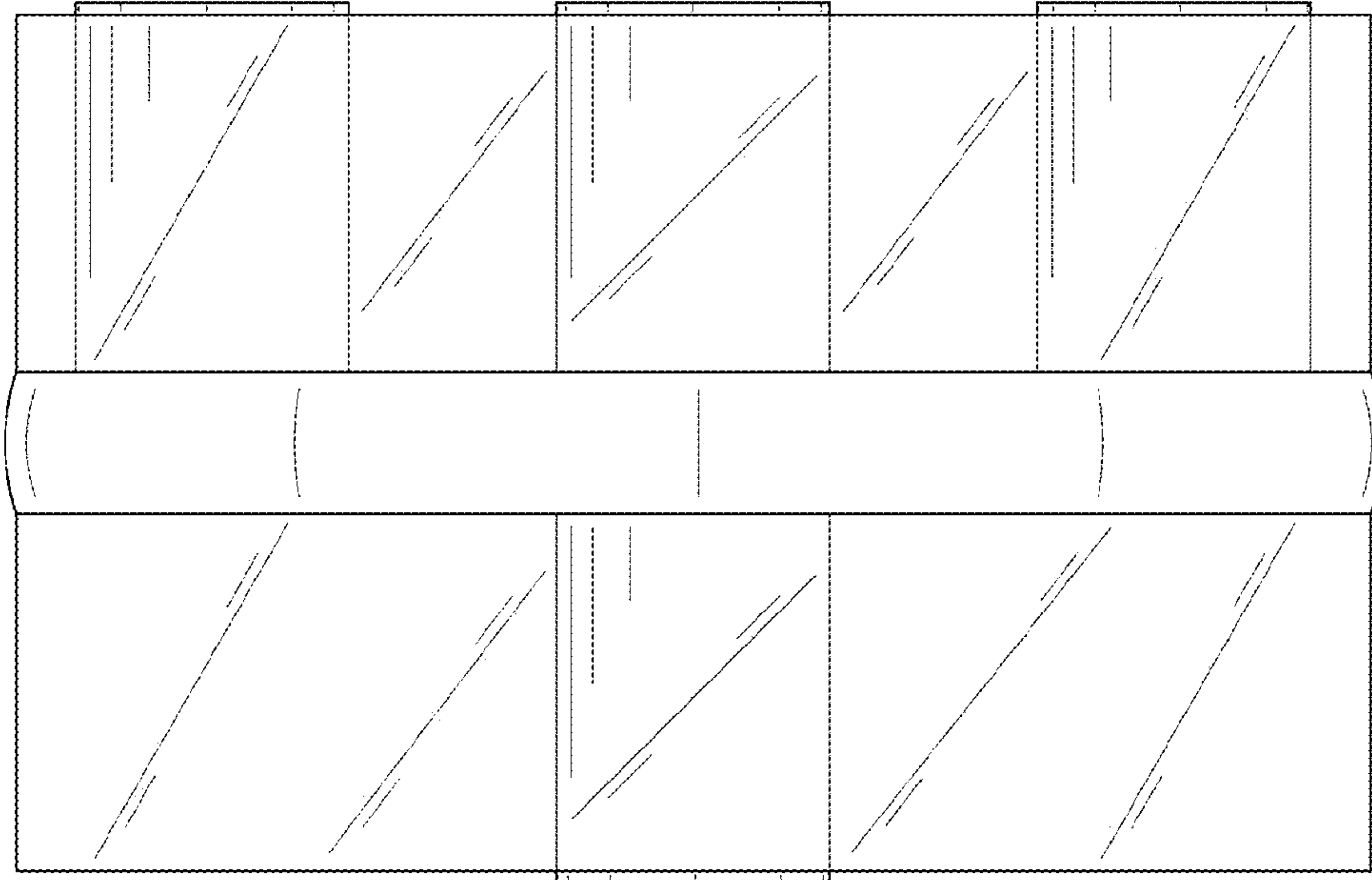


FIG.7

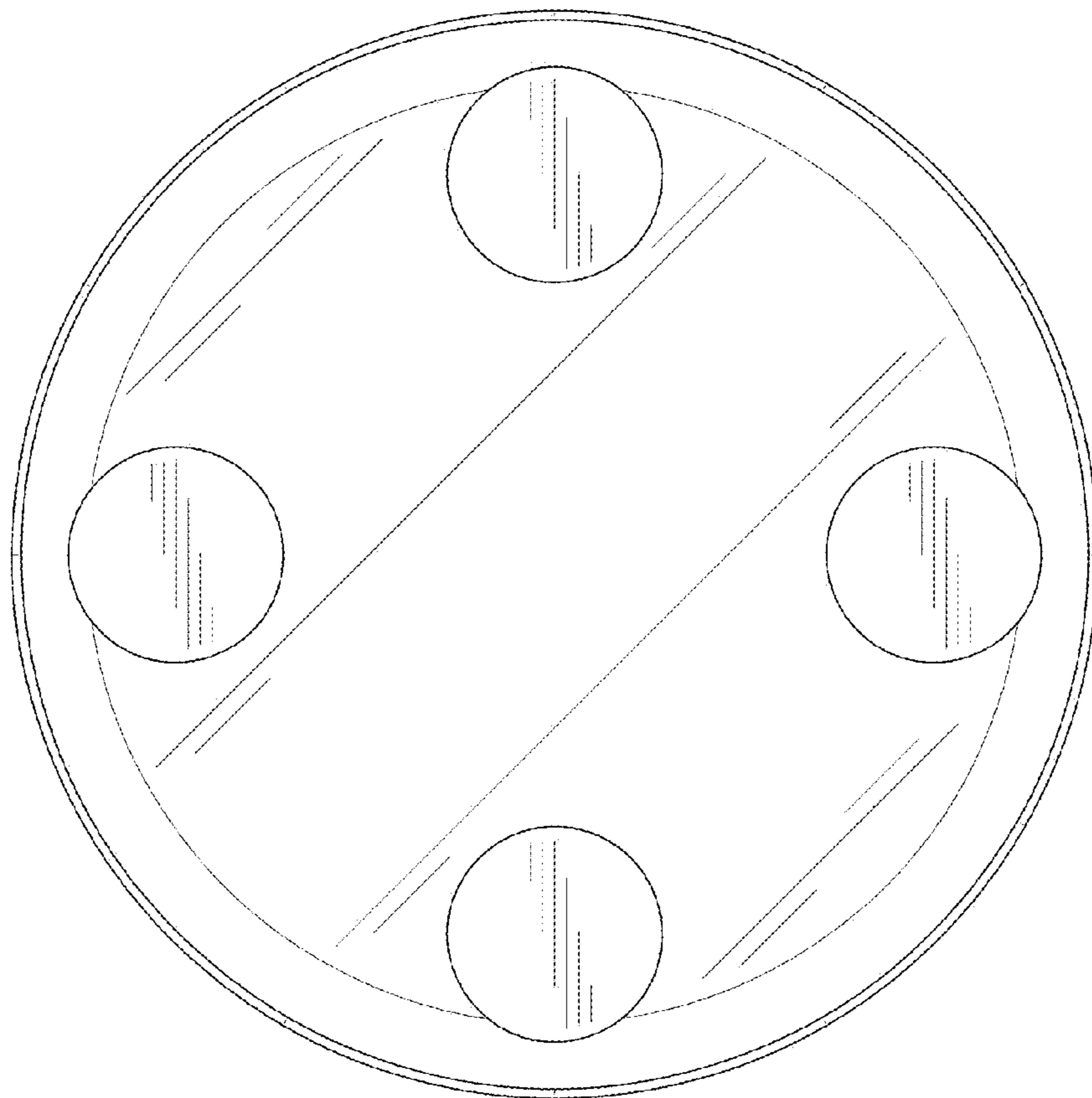


FIG.8

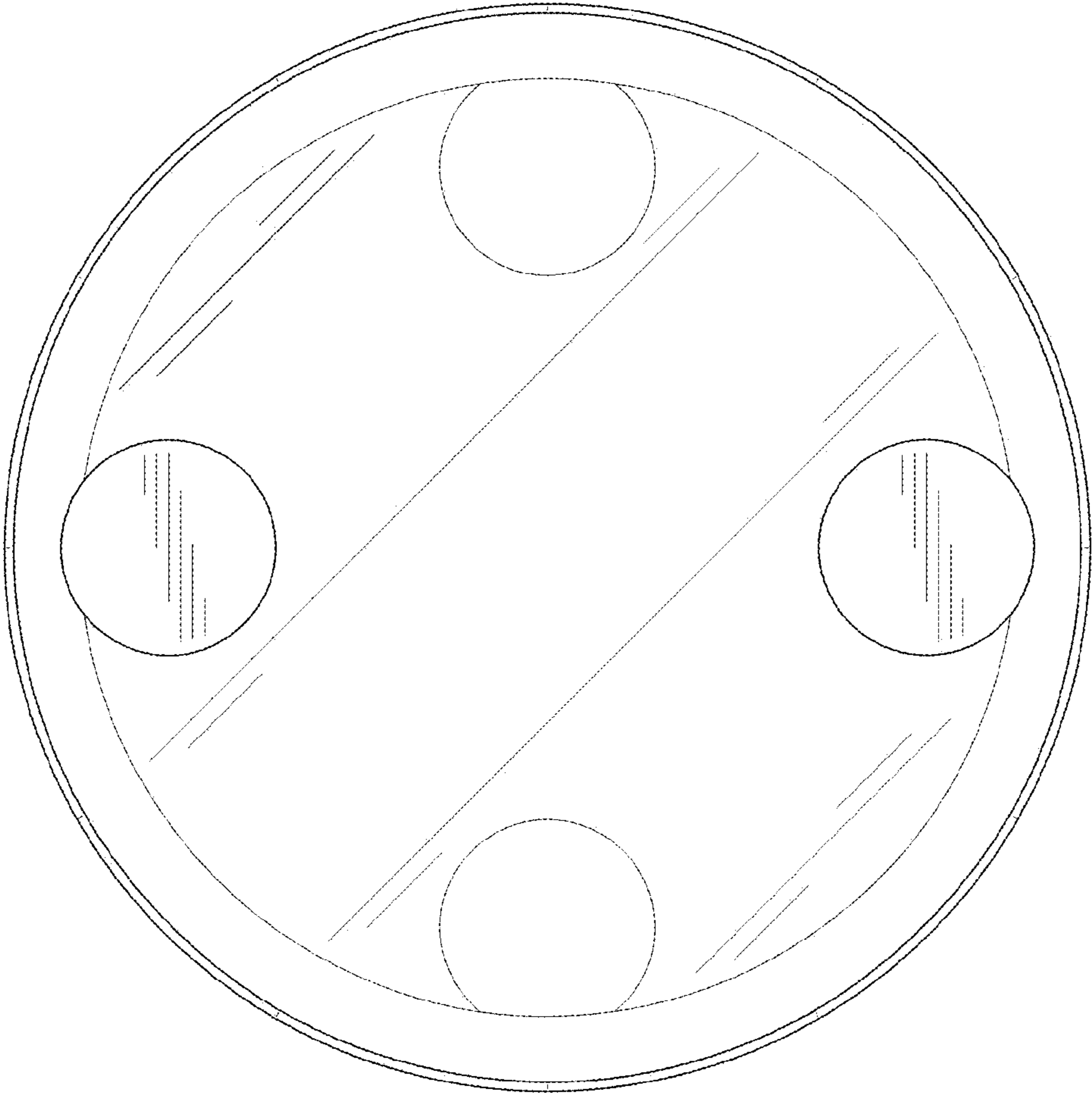


FIG.9

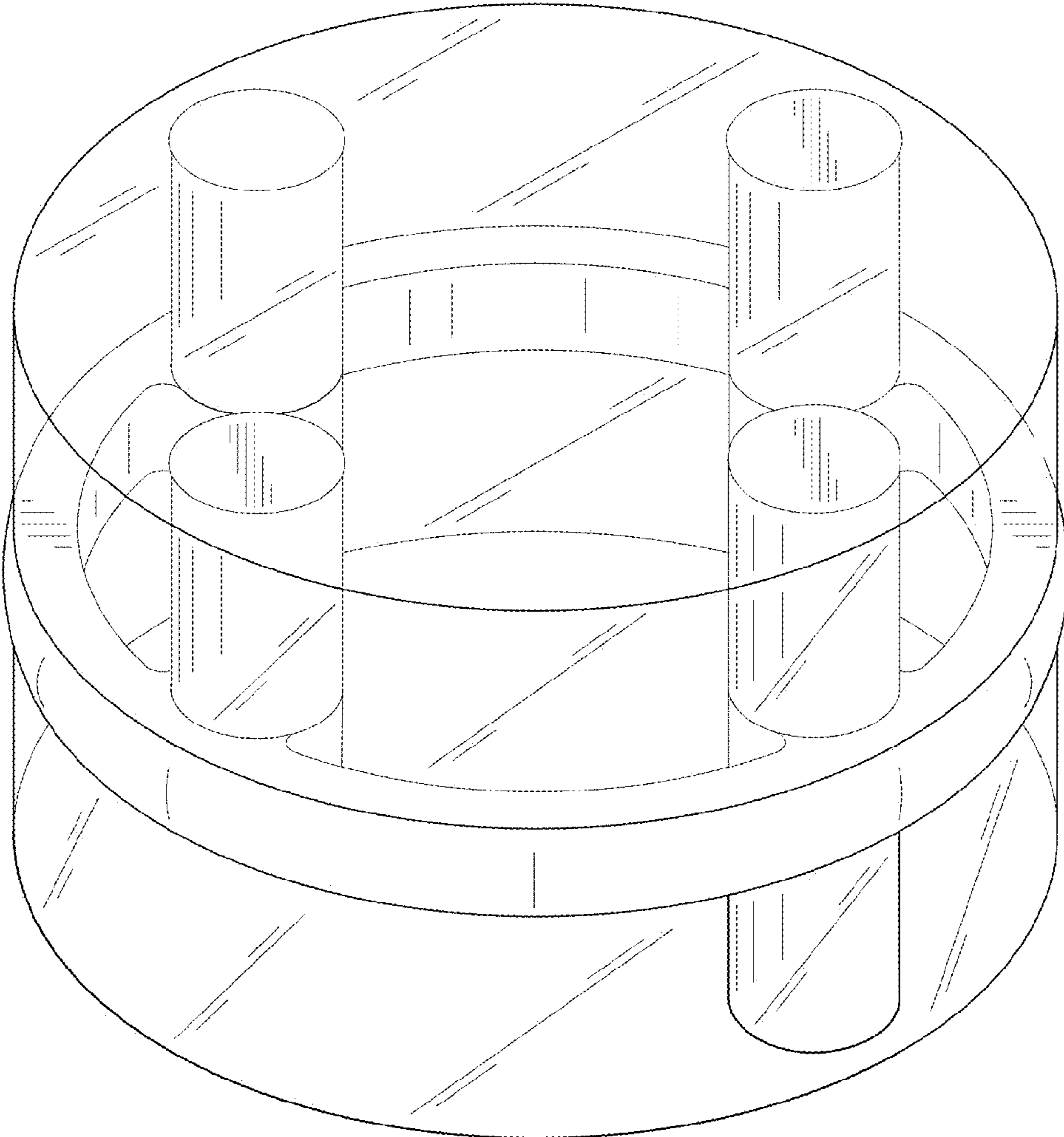


FIG.10

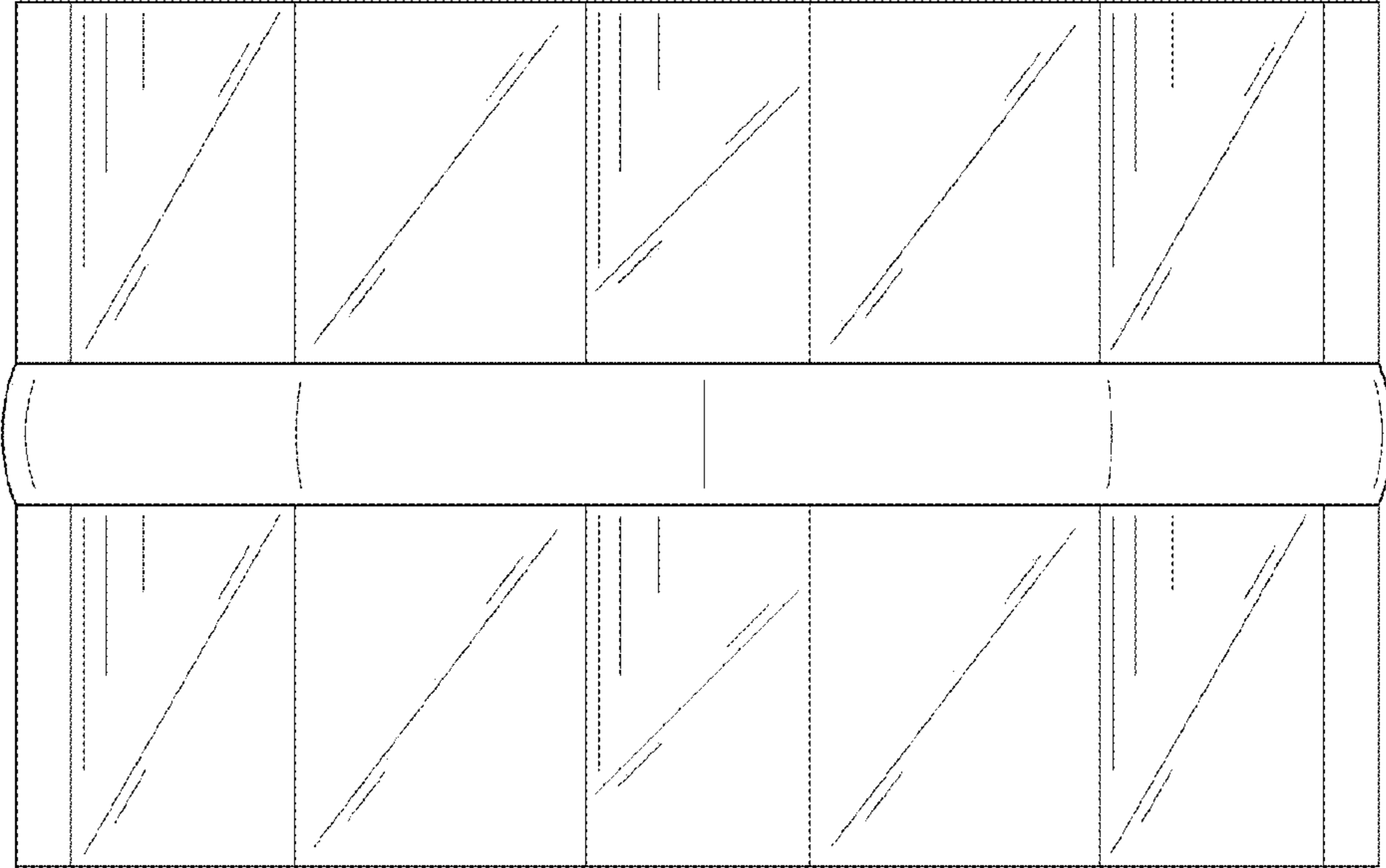


FIG. 11

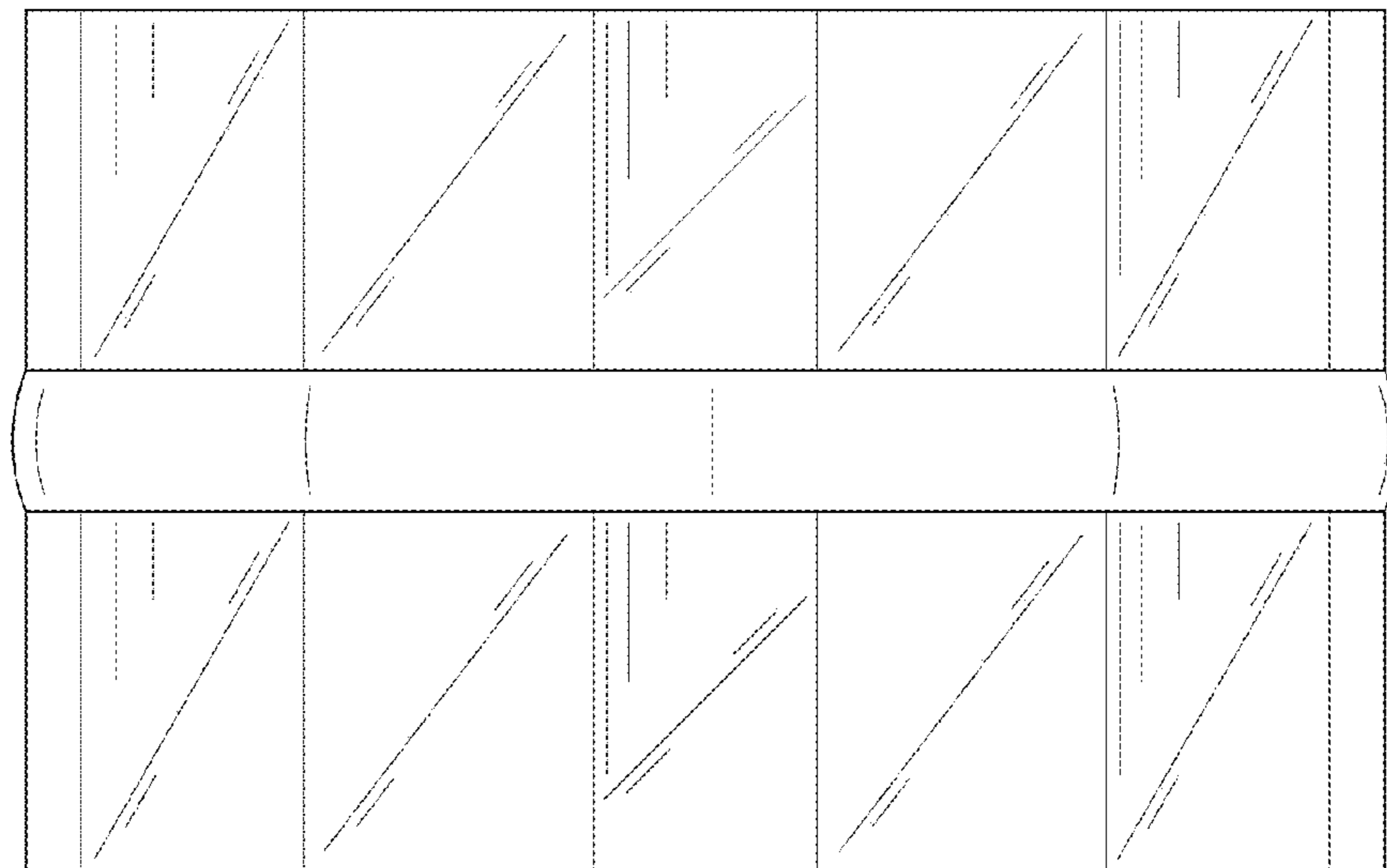


FIG.12

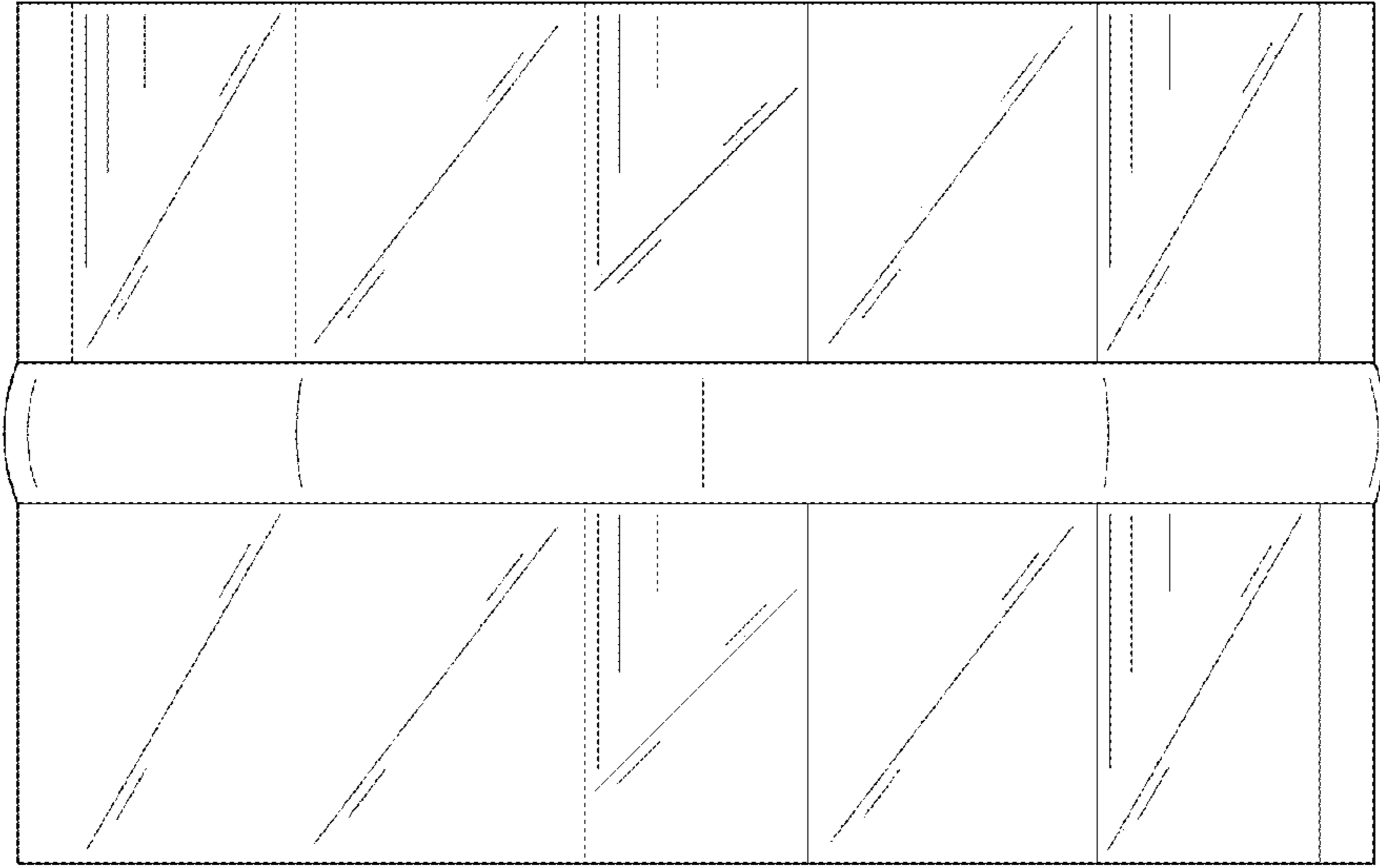


FIG. 13

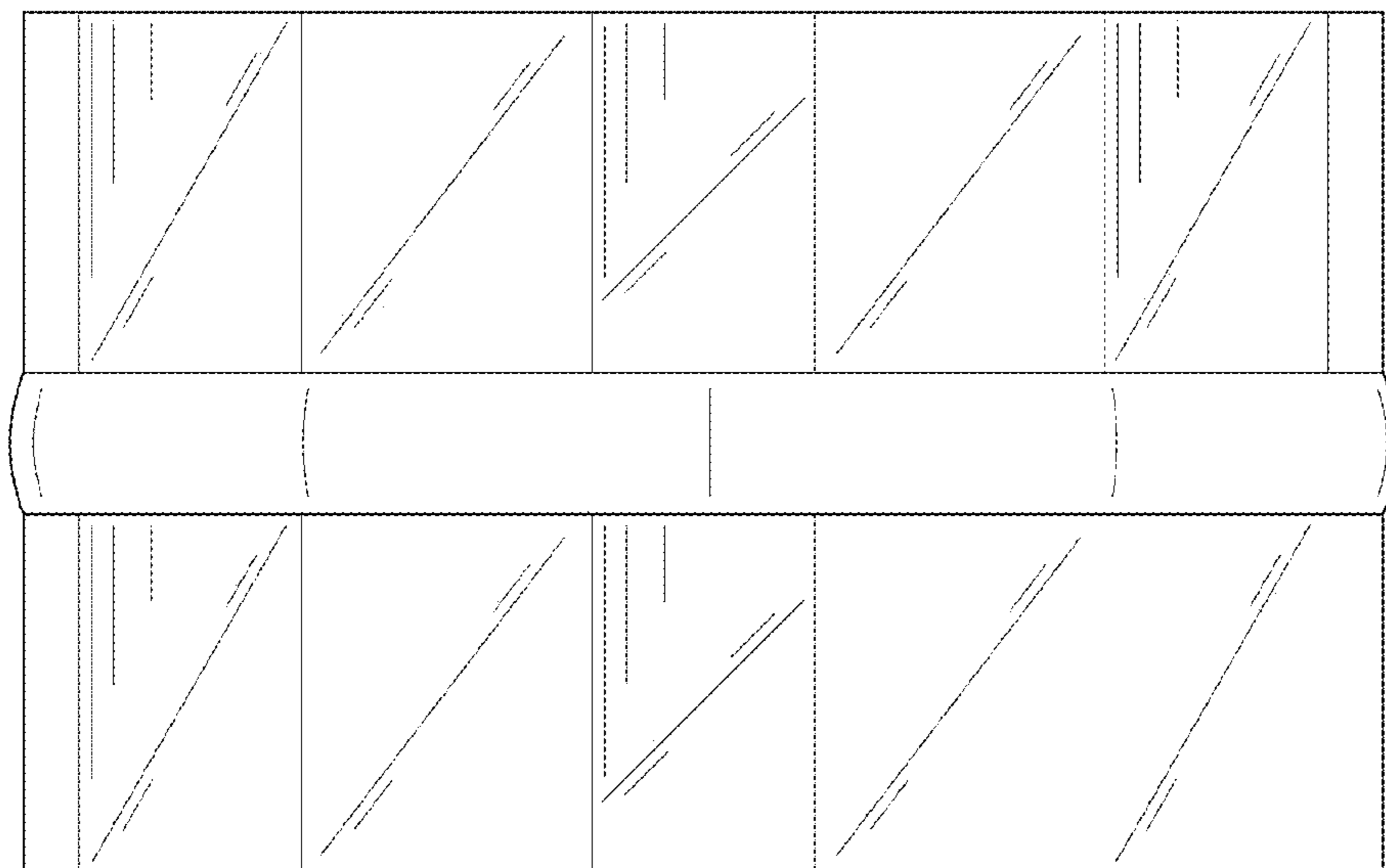


FIG. 14

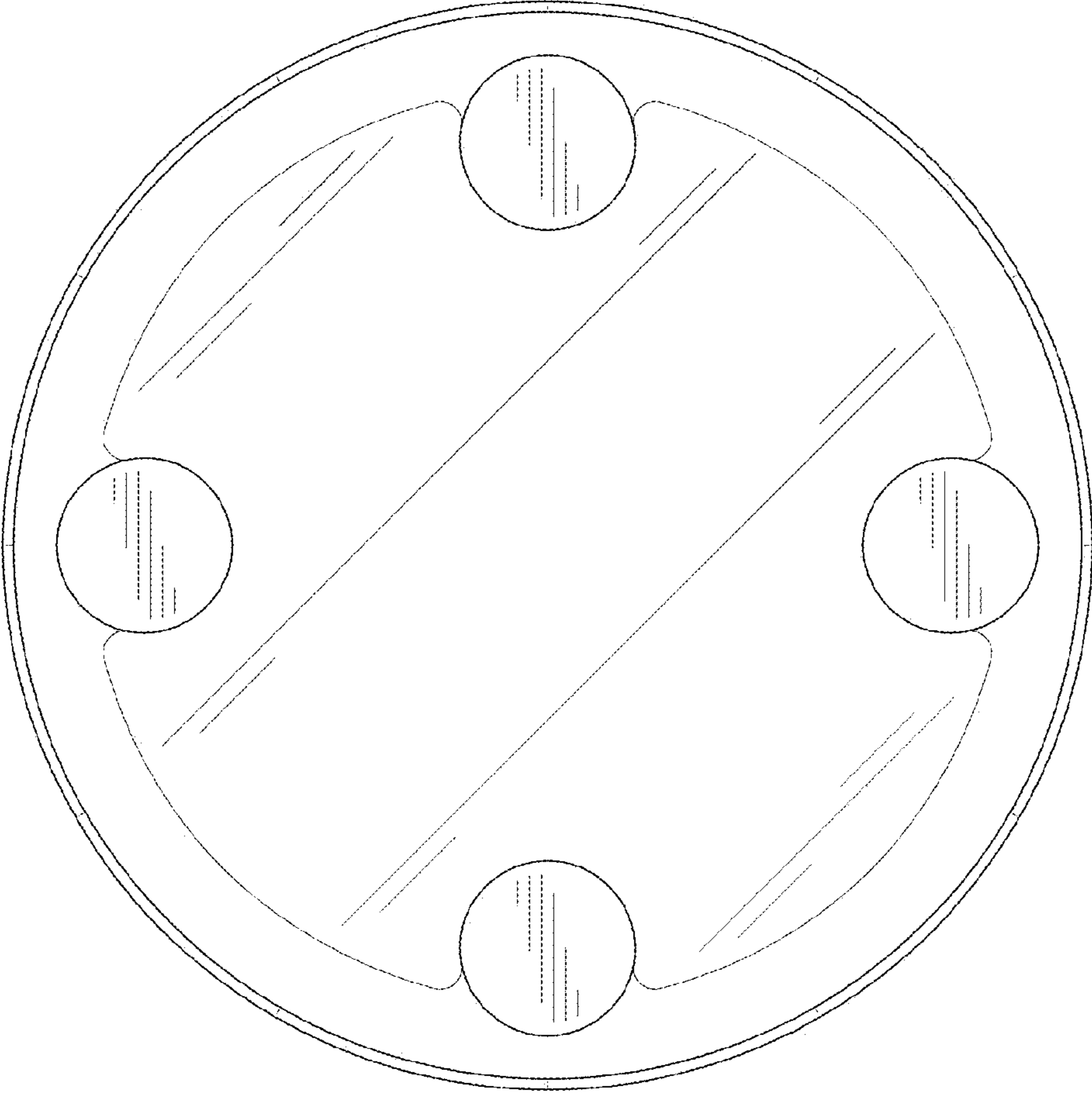


FIG. 15

