



US00D711377S

(12) **United States Design Patent**  
**Lam et al.**

(10) **Patent No.:** **US D711,377 S**  
(45) **Date of Patent:** **\*\* Aug. 19, 2014**

(54) **DISPLAY**

(71) Applicant: **Tongfang Global Limited**, Shenzhen (CN)  
(72) Inventors: **Th Lam**, Shenzhen (CN); **Christopher Ng**, Shenzhen (CN); **Wen-Sheng Lu**, Shenzhen (CN); **Yuen-Ming Ng**, Shenzhen (CN); **Yu-Ping Li**, Shenzhen (CN); **Di-Xing Liu**, Shenzhen (CN)

(73) Assignee: **Tongfang Global Limited**, Shenzhen (CN)

(\*\*) Term: **14 Years**

(21) Appl. No.: **29/450,416**

(22) Filed: **Mar. 18, 2013**

(51) **LOC (10) Cl.** ..... **14-02**

(52) **U.S. Cl.**  
USPC ..... **D14/374**

(58) **Field of Classification Search**  
CPC ..... F16M 11/08  
USPC ..... D14/371-375, 125-129, 336, 337;  
341/12; 345/104, 156, 168, 173;  
348/180, 184, 325, 739; 349/1, 2, 11,  
349/62; 361/679.05-679.07, 679.21;  
D6/300, 308

See application file for complete search history.

(56) **References Cited**

U.S. PATENT DOCUMENTS

7,336,478	B2 *	2/2008	Jang	.....	361/679.27
D648,336	S *	11/2011	Yagi	.....	D14/374
D667,827	S *	9/2012	Park et al.	.....	D14/374
D669,076	S *	10/2012	Haller	.....	D14/374
2005/0041379	A1 *	2/2005	Jang	.....	361/681

\* cited by examiner

*Primary Examiner* — Freda S Nunn

(74) *Attorney, Agent, or Firm* — Rosenberg, Klein & Lee

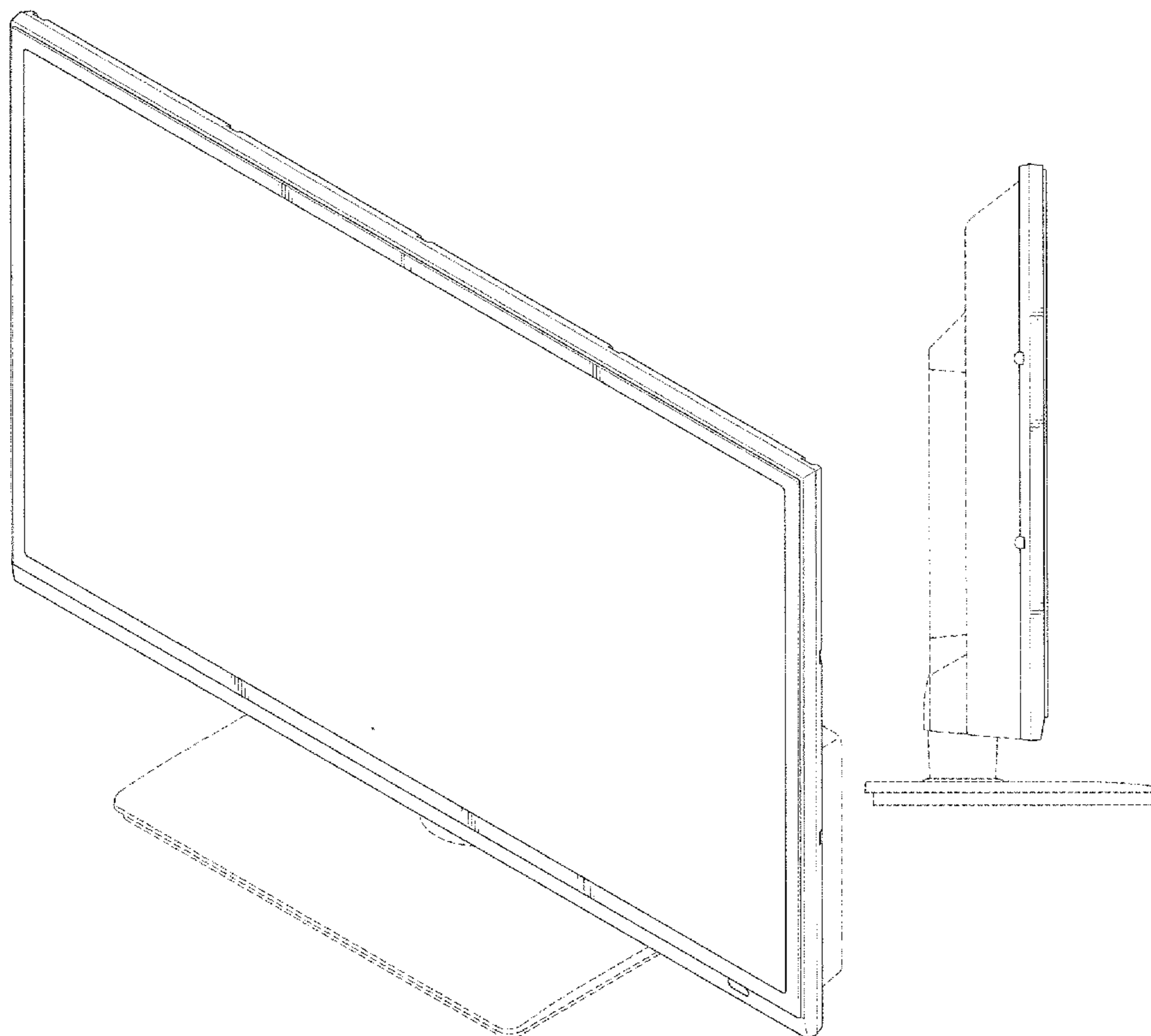
(57) **CLAIM**

The ornamental design for a display, as shown and described.

**DESCRIPTION**

FIG. 1 is a perspective view of a display showing our new design;  
FIG. 2 is a front elevational view thereof;  
FIG. 3 is a rear elevational view thereof;  
FIG. 4 is a left side elevational view thereof;  
FIG. 5 is a right side elevational view thereof;  
FIG. 6 is a top plan view thereof; and,  
FIG. 7 is a bottom plan view thereof.  
Broken lines shown in the drawings illustrate portions of the display, and form no part of the claimed design.

**1 Claim, 7 Drawing Sheets**



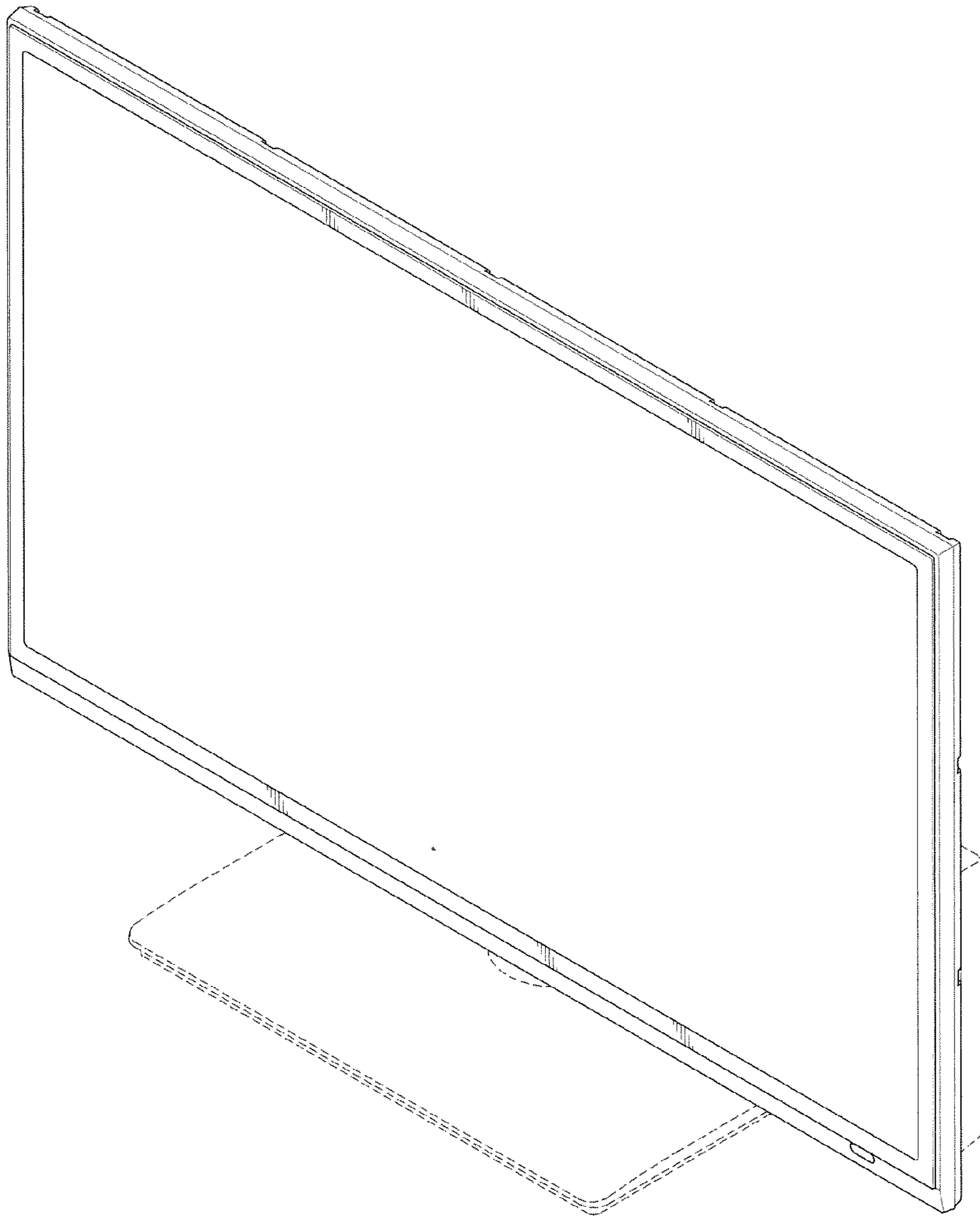


FIG. 1

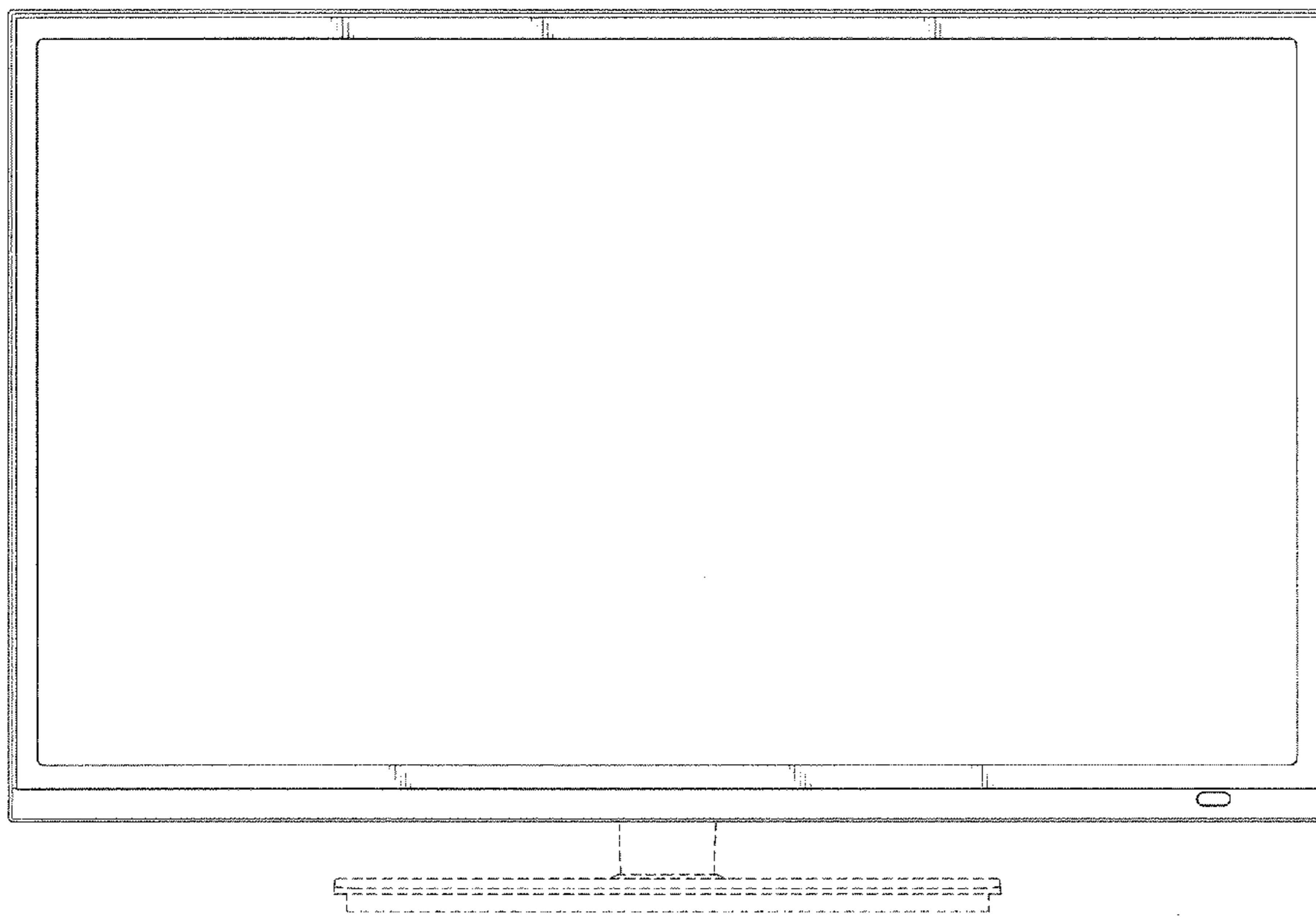


FIG. 2

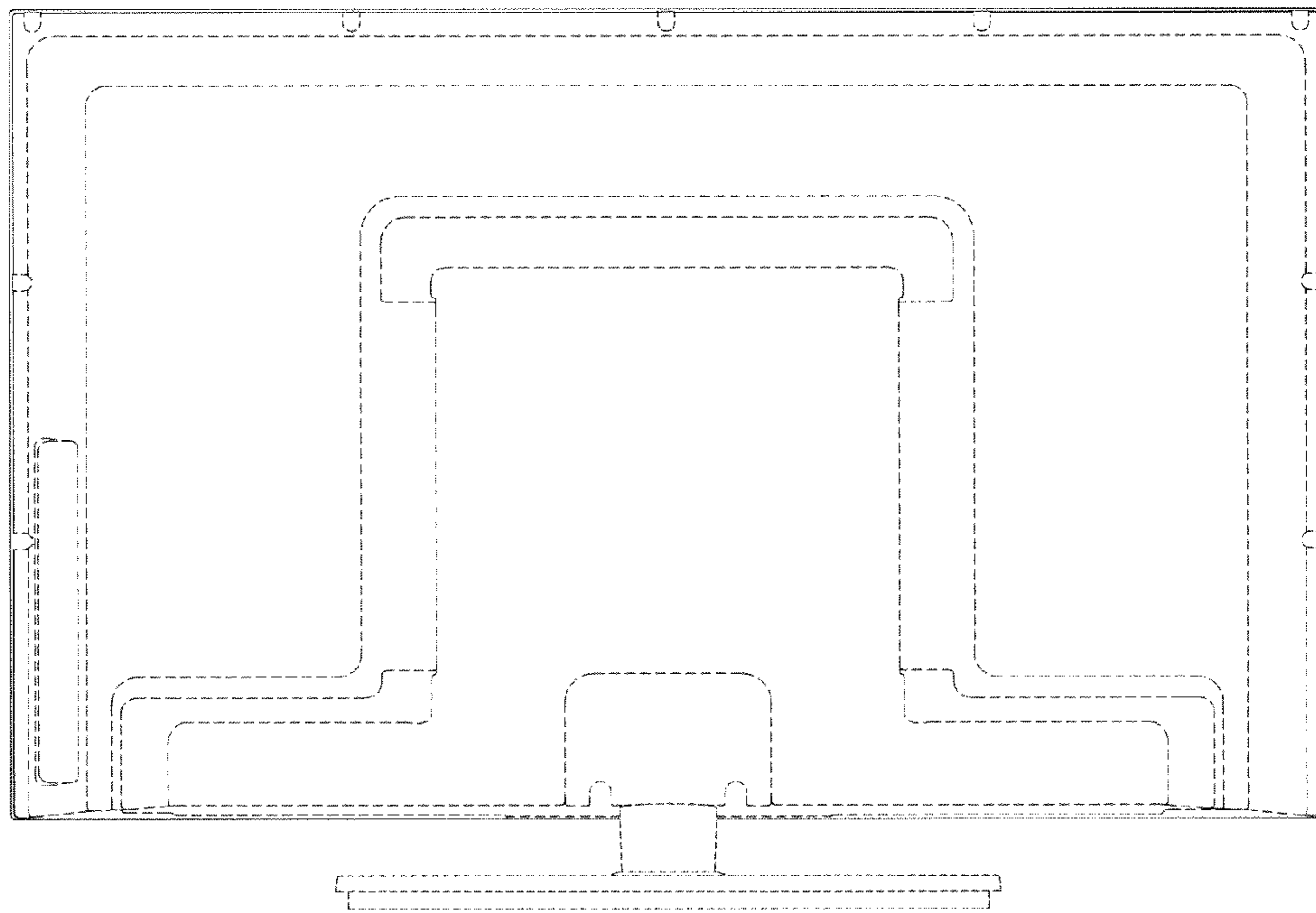


FIG. 3

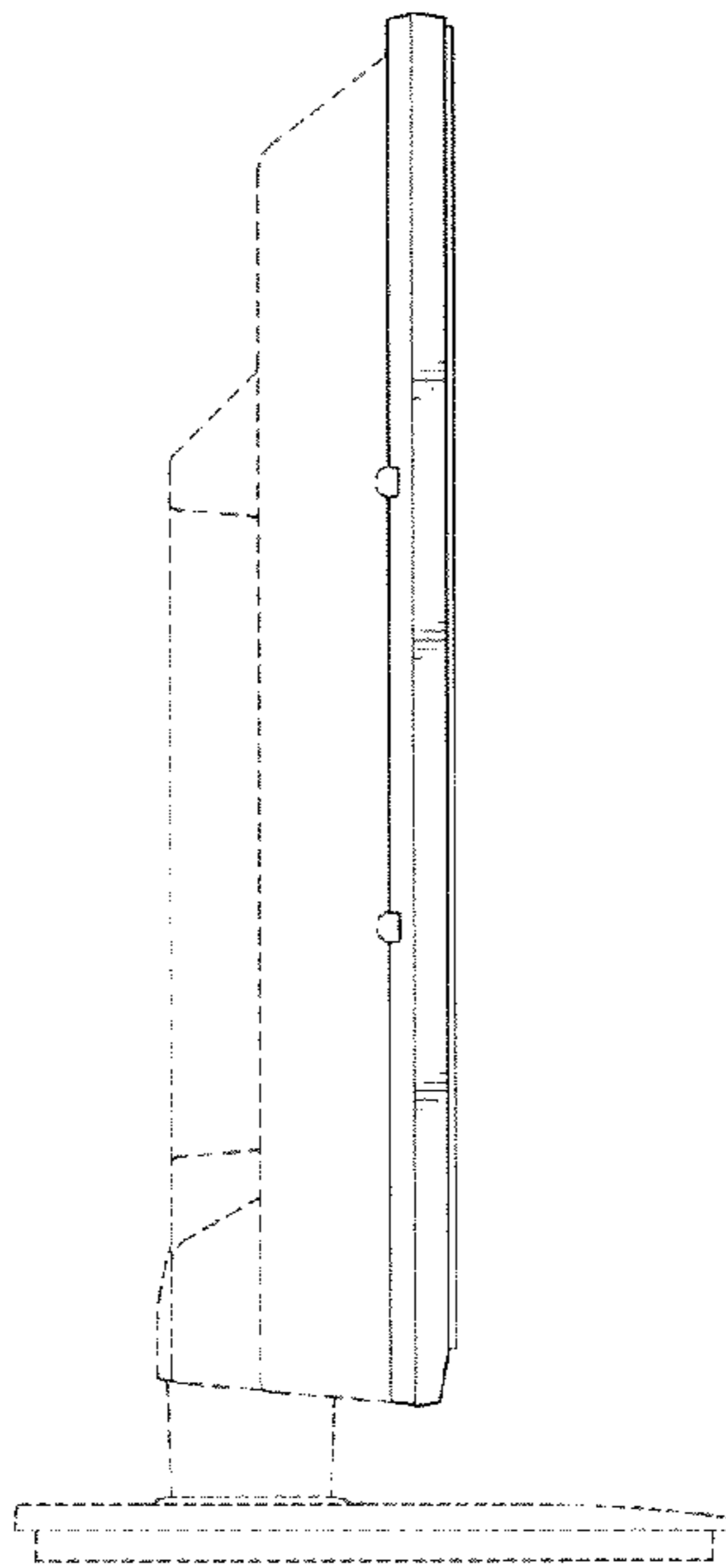


FIG. 4

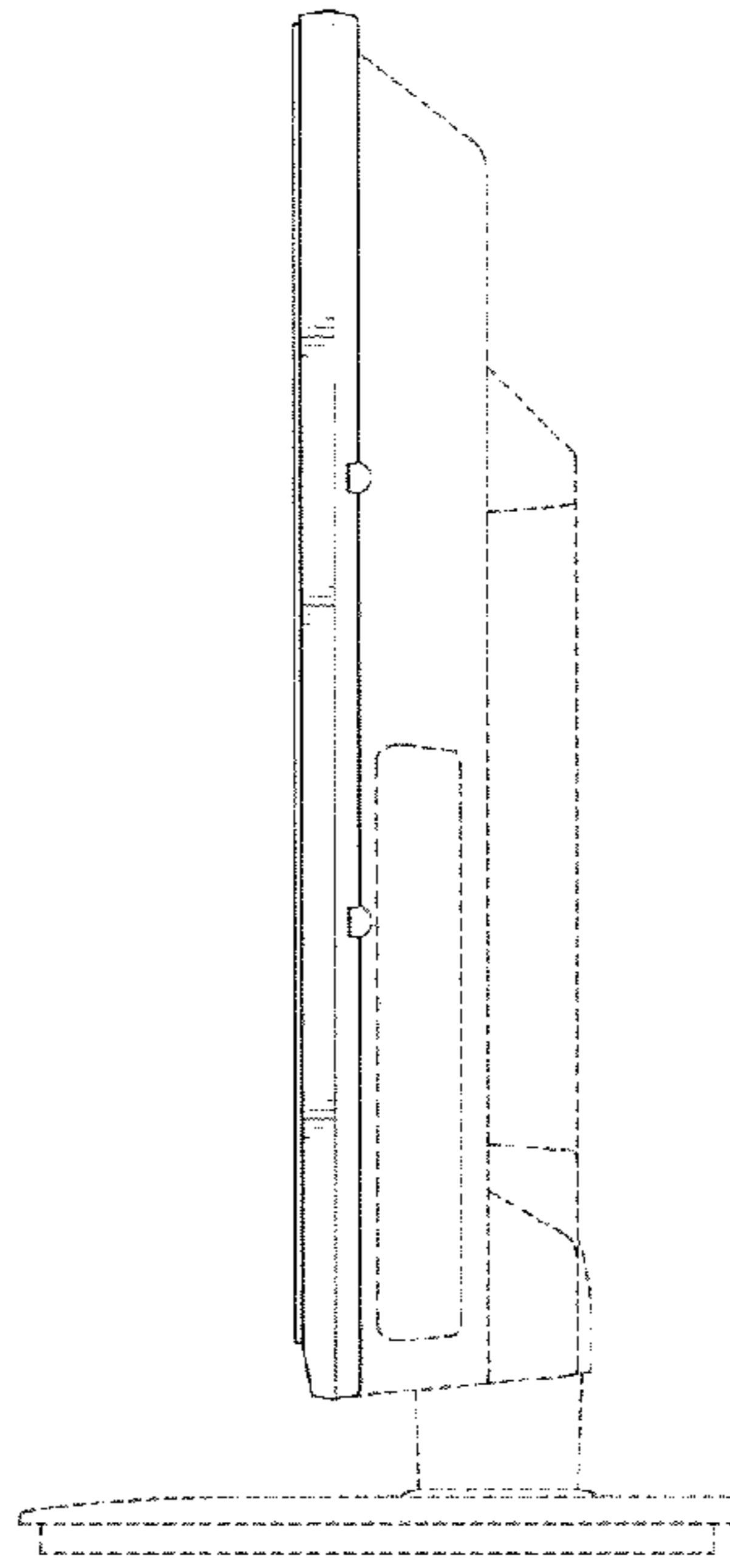


FIG. 5

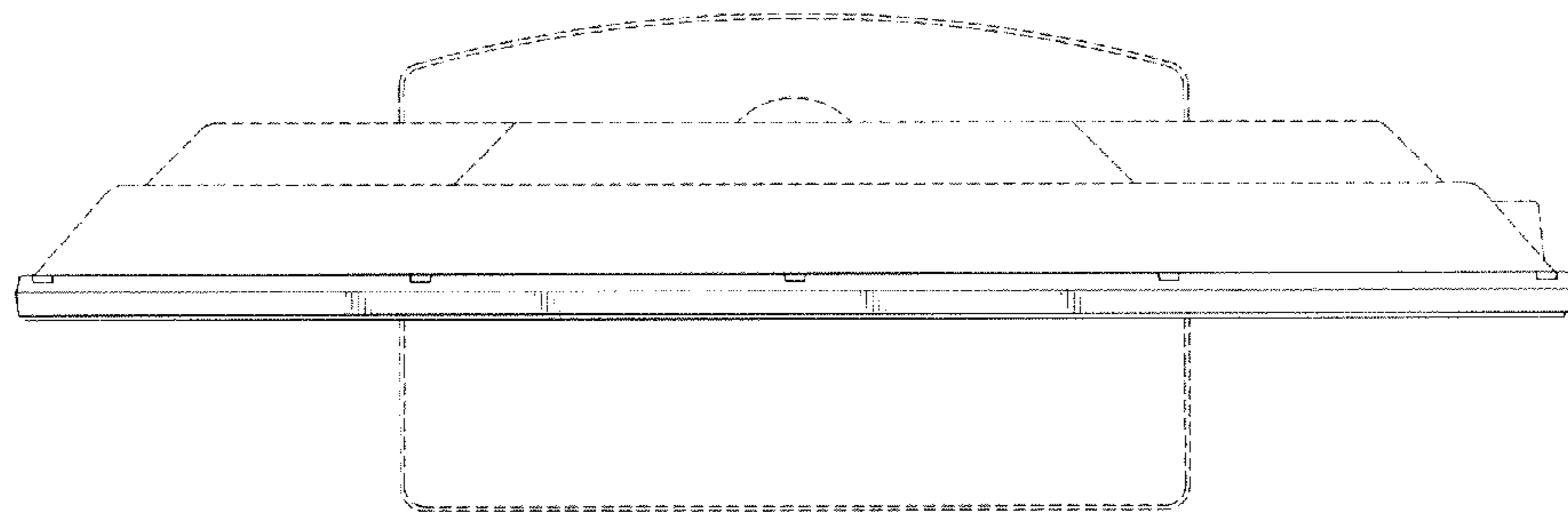


FIG. 6

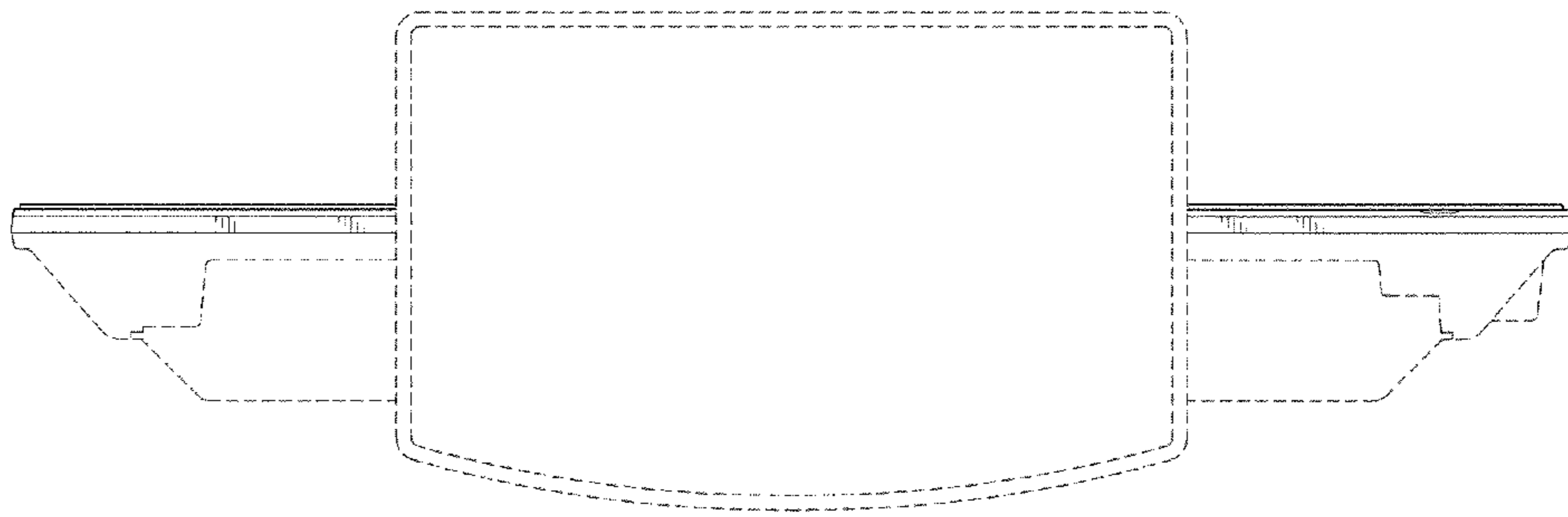


FIG. 7