



US00D711375S

(12) **United States Design Patent**  
**Lee et al.**

(10) **Patent No.:** **US D711,375 S**  
(45) **Date of Patent:** **\*\* Aug. 19, 2014**

(54) **HEAD MOUNTED DISPLAY DEVICE**

(71) Applicant: **LG Electronics Inc.**, Seoul (KR)  
(72) Inventors: **Hophil Lee**, Gyeonggi-do (KR);  
**Eunseok Choi**, Gyeonggi-do (KR);  
**Seungbeom Park**, Gyeonggi-do (KR)  
(73) Assignee: **LG Electronics Inc.**, Seoul (KR)

(\*\*) Term: **14 Years**

(21) Appl. No.: **29/487,881**

(22) Filed: **Apr. 14, 2014**

(30) **Foreign Application Priority Data**

Oct. 15, 2013 (KR) ..... 30-2013-0052110

(51) **LOC (10) Cl.** ..... **14-02**

(52) **U.S. Cl.**  
USPC ..... **D14/372**

(58) **Field of Classification Search**  
CPC ..... G02B 27/017; G02B 27/0158; G02B  
27/0161; G02B 27/0181; G02B 27/0185;  
G02B 27/0189  
USPC ..... D14/372, 496, 432, 371, 125, 126, 129,  
D14/299; D16/300-342; 351/158, 153, 144;  
345/7-9, 905; 455/344; 348/115, 53,  
348/121, 739

See application file for complete search history.

(56) **References Cited**

U.S. PATENT DOCUMENTS

D533,893	S	*	12/2006	Canavan et al.	.....	D16/330
D659,739	S	*	5/2012	Olsson et al.	.....	D16/300
D660,341	S	*	5/2012	Olsson et al.	.....	D16/300
D662,964	S	*	7/2012	Olsson et al.	.....	D16/300
D664,184	S	*	7/2012	Olsson et al.	.....	D16/309
D664,586	S	*	7/2012	Olsson	.....	D16/300
D671,589	S	*	11/2012	Olsson	.....	D16/300
D697,962	S	*	1/2014	Olsson	.....	D16/300
D701,506	S	*	3/2014	Pombo	.....	D14/372
D703,724	S	*	4/2014	Olsson	.....	D16/300

\* cited by examiner

*Primary Examiner* — Austin Murphy

(74) *Attorney, Agent, or Firm* — Morgan, Lewis & Bockius LLP

(57) **CLAIM**

The ornamental design for a head mounted display device, as shown and described.

**DESCRIPTION**

FIG. 1 is a perspective view of a head mounted display device showing our new design;  
FIG. 2 is a front view thereof;  
FIG. 3 is a rear view thereof;  
FIG. 4 is a left side view thereof;  
FIG. 5 is a right side view thereof;  
FIG. 6 is a top plan view thereof;  
FIG. 7 is a bottom plan view thereof; and,  
FIG. 8 is a side view thereof, showing the article in a position of use.

The broken lines show unclaimed subject matter only and form no part of the claimed design.

**1 Claim, 8 Drawing Sheets**

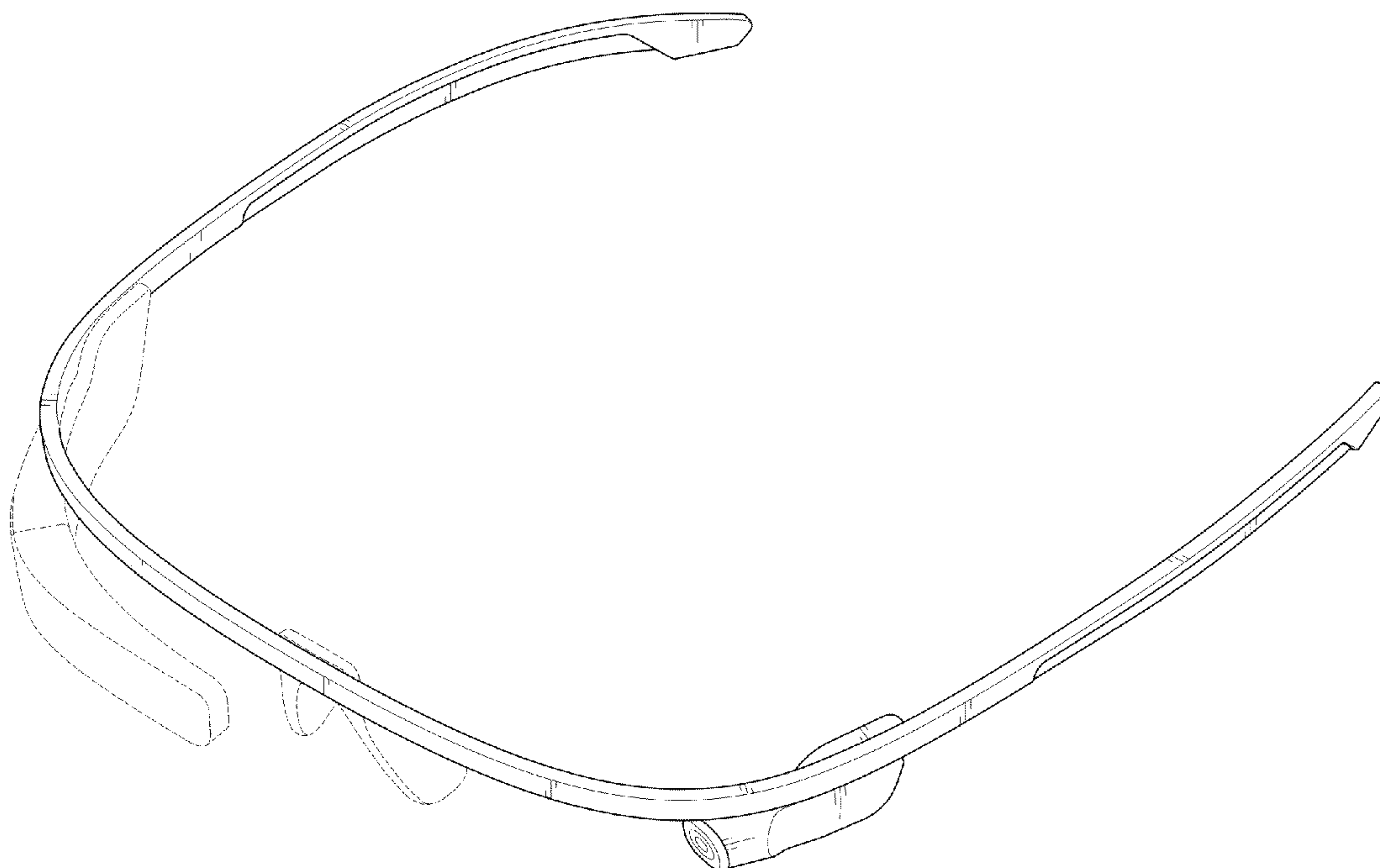


FIG. 1

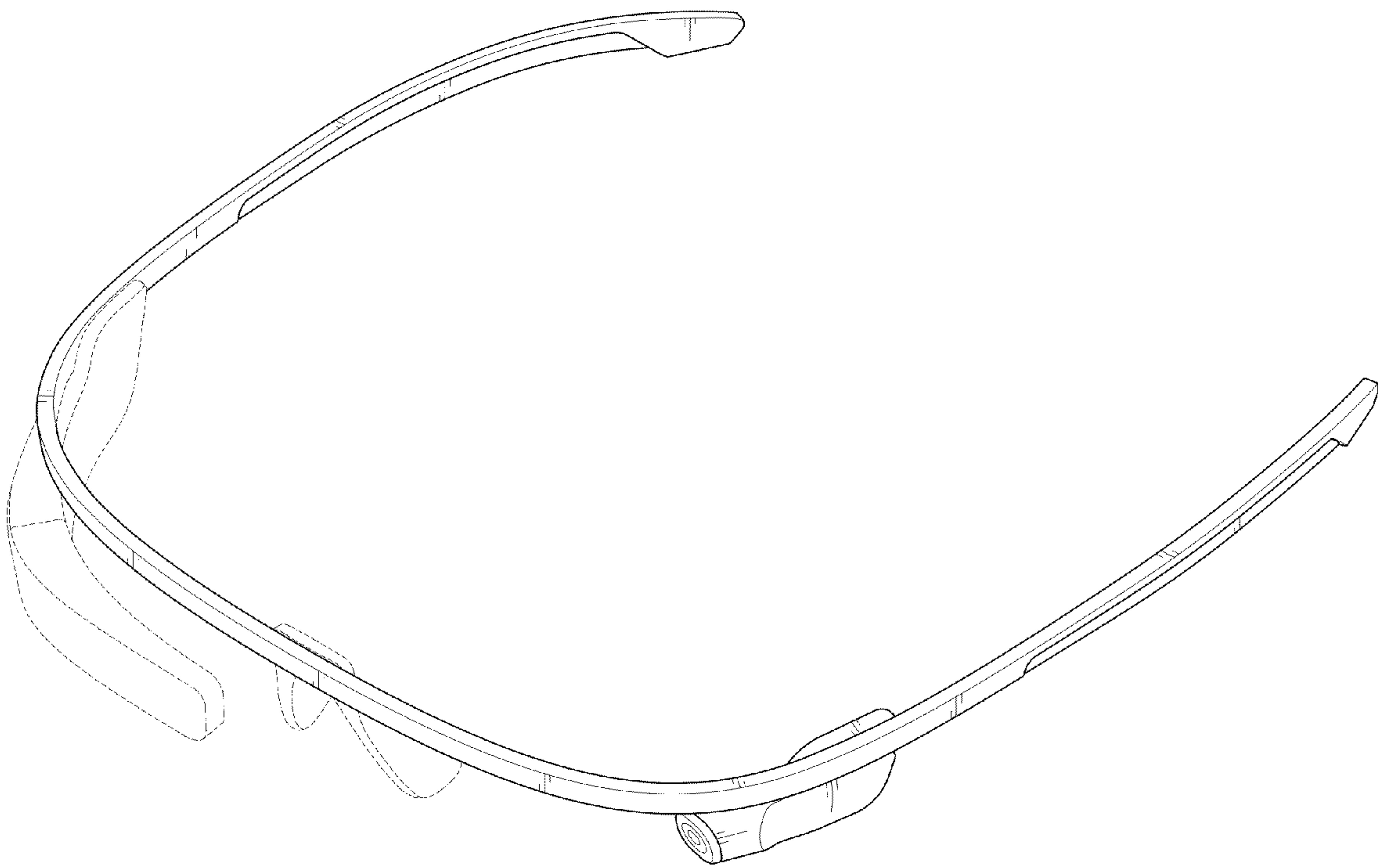


FIG. 2

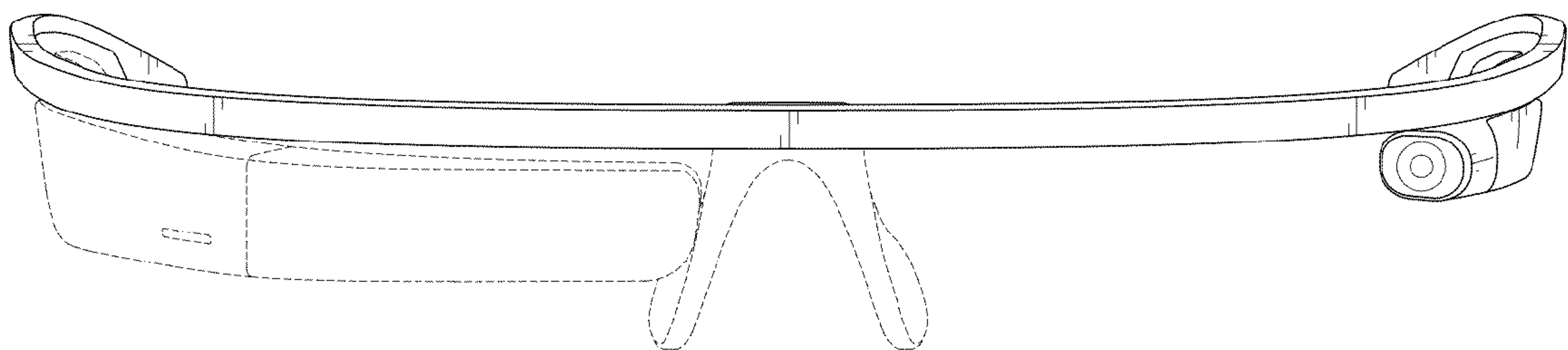


FIG. 3

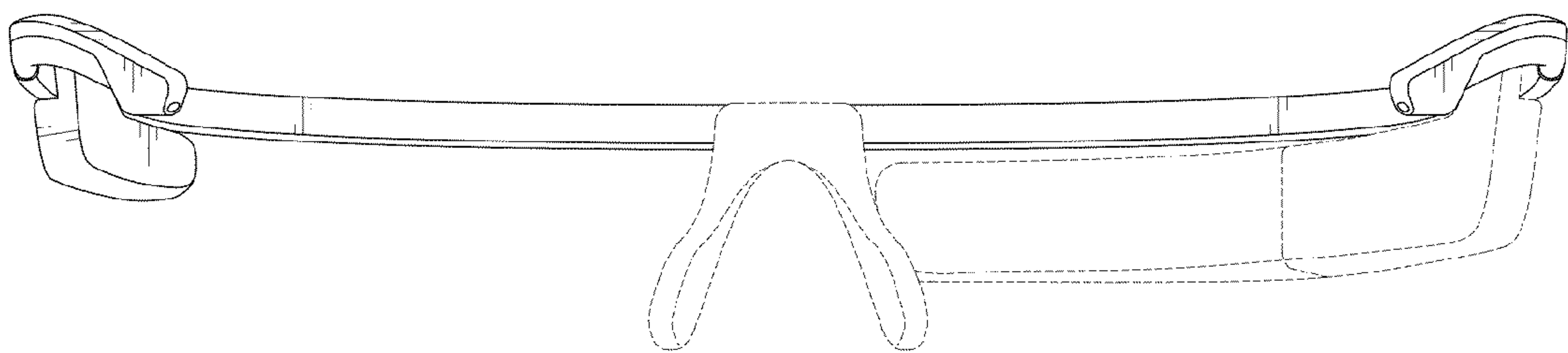


FIG. 4

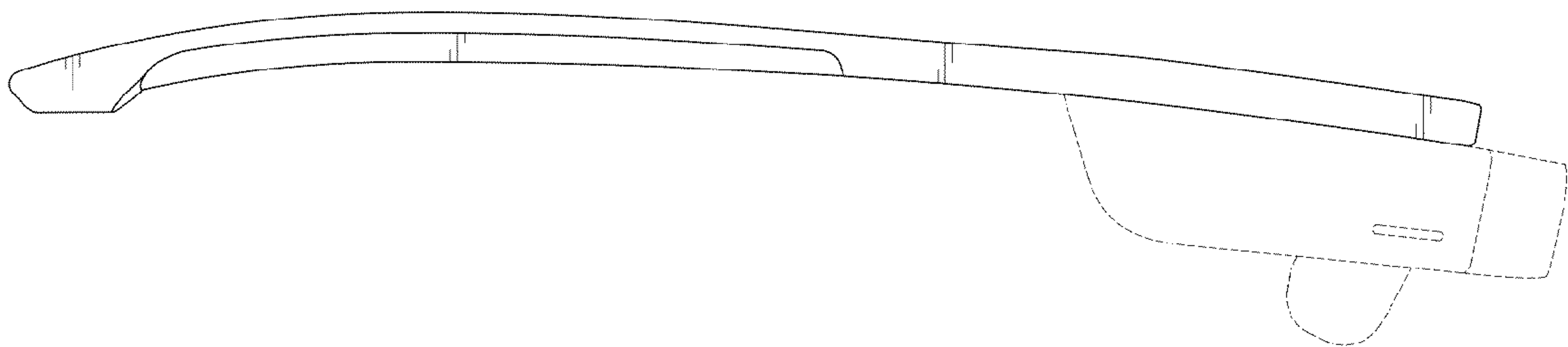


FIG. 5

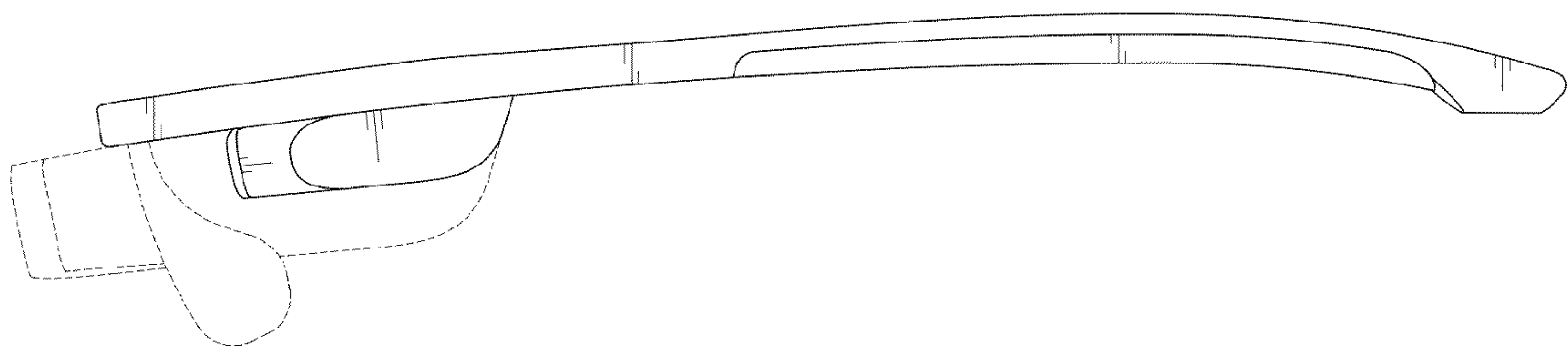


FIG. 6



FIG. 7

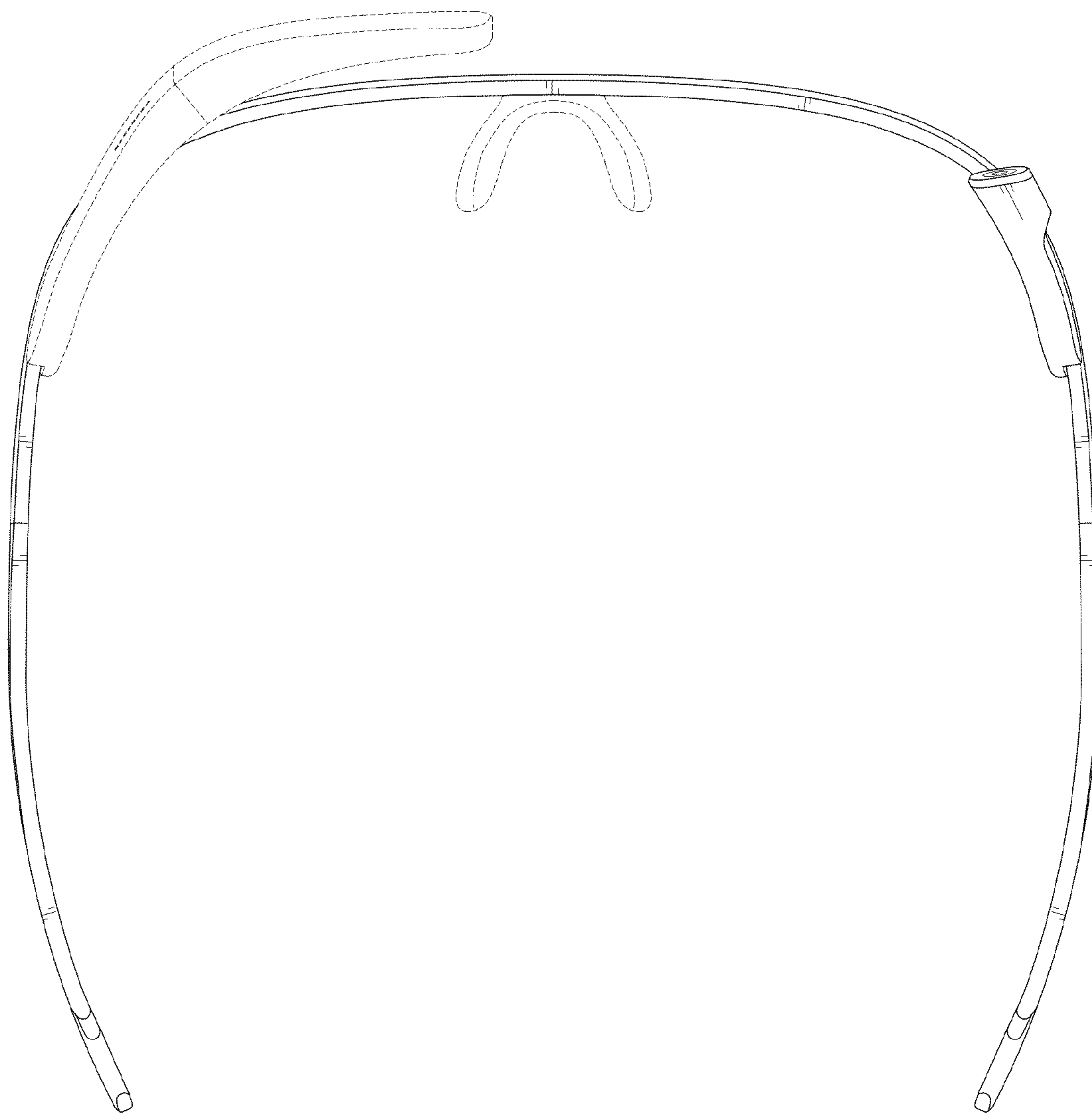




FIG. 8

