



US00D711372S

(12) **United States Design Patent**  
**Aumiller et al.**

(10) **Patent No.:** **US D711,372 S**

(45) **Date of Patent:** **\*\* \*Aug. 19, 2014**

(54) **ELECTRONIC DEVICE**

(71) Applicant: **Samsung Electronics Co., Ltd.**,  
Suwon-si (KR)

(72) Inventors: **Curtis Aumiller**, San Jose, CA (US);  
**Pranav Mistry**, Cupertino, CA (US);  
**Chengyuan Wei**, Dalian (CN)

(73) Assignee: **Samsung Electronics Co., Ltd.**,  
Suwon-Si (KR)

(\*) Notice: This patent is subject to a terminal disclaimer.

(\*\*) Term: **14 Years**

(21) Appl. No.: **29/453,885**

(22) Filed: **May 3, 2013**

**Related U.S. Application Data**

(63) Continuation of application No. 29/449,656, filed on Mar. 15, 2013.

(51) **LOC (10) Cl.** ..... **14-02**

(52) **U.S. Cl.**  
USPC ..... **D14/344**

(58) **Field of Classification Search**  
USPC ..... D14/341-347, 420, 426, 427;  
D10/30-32, 37-39, 65; 368/281-282,  
368/294-296; 455/100; 361/679.03;  
379/433.1; D11/3-5  
See application file for complete search history.

(56) **References Cited**

**U.S. PATENT DOCUMENTS**

D299,028 S \* 12/1988 Hermann ..... D14/344

D335,263 S \* 5/1993 Willis ..... D11/3  
D347,589 S \* 6/1994 LaBate ..... D10/74  
5,361,169 A \* 11/1994 Deal ..... 359/838  
D355,132 S \* 2/1995 Williams ..... D10/32  
5,418,760 A \* 5/1995 Kawashima et al. .... 368/69

(Continued)

**OTHER PUBLICATIONS**

Pebble smartwatch, posted Jan. 25, 2013 [online], [retrieved Aug. 22, 2013]. Retrieved from Internet, <http://www.engadget.com/2013/01/25/pebble-smartwatch-review/>.\*

(Continued)

*Primary Examiner* — Barbara Fox

(74) *Attorney, Agent, or Firm* — Sughrue Mion, PLLC

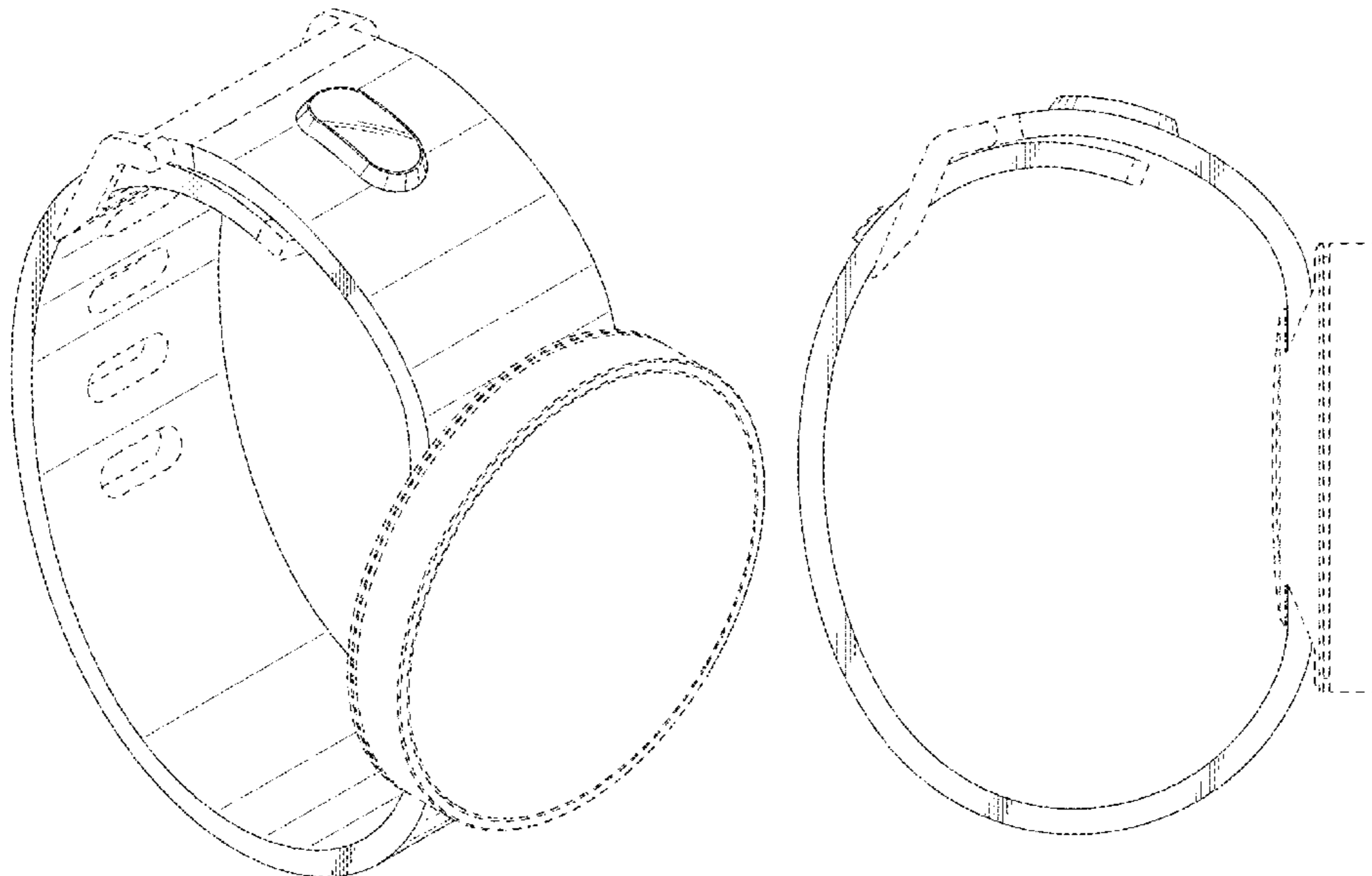
(57) **CLAIM**

The ornamental design for an electronic device, as shown and described.

**DESCRIPTION**

FIG. 1 is a top front perspective view of a first embodiment of an electronic device showing our new design;  
FIG. 2 is a front elevational view thereof;  
FIG. 3 is a rear elevational view thereof;  
FIG. 4 is a left side elevational view thereof;  
FIG. 5 is a right side elevational view thereof;  
FIG. 6 is a top plan view thereof;  
FIG. 7 is a bottom plan view thereof; and,  
FIG. 8 is a top rear perspective view thereof in a case where a terminal portion of the band is partially truncated.  
The broken lines shown in the drawings represent portions of the electronic device which form no part of the claimed design.

**1 Claim, 5 Drawing Sheets**



(56)

References Cited

U.S. PATENT DOCUMENTS

D362,396 S \* 9/1995 Chester ..... D10/32  
 D365,550 S \* 12/1995 Houlihan ..... D14/344  
 D366,036 S \* 1/1996 Houlihan ..... D14/344  
 D383,985 S \* 9/1997 Davenport ..... D10/31  
 D386,696 S \* 11/1997 Walch ..... D10/34  
 D401,515 S \* 11/1998 Yida ..... D10/39  
 D410,854 S \* 6/1999 Cheung et al. .... D10/39  
 D413,817 S \* 9/1999 Ando et al. .... D10/31  
 D422,513 S \* 4/2000 Bodino ..... D10/32  
 D434,675 S \* 12/2000 Ando et al. .... D10/31  
 D453,005 S \* 1/2002 Baumer ..... D10/32  
 D455,356 S \* 4/2002 Saffer ..... D10/32  
 D459,352 S \* 6/2002 Giovanniello ..... D14/402  
 D460,430 S \* 7/2002 Wada et al. .... D14/138 R  
 D463,296 S \* 9/2002 Sanomi ..... D10/39  
 D466,487 S \* 12/2002 Wada et al. .... D14/138 R  
 D466,488 S \* 12/2002 Wada et al. .... D14/138 R  
 D526,215 S \* 8/2006 Calvani ..... D10/38  
 D526,912 S \* 8/2006 Calvani ..... D10/38  
 D537,738 S \* 3/2007 Ohki et al. .... D10/32  
 D543,122 S \* 5/2007 Lafever et al. .... D10/32  
 D596,610 S \* 7/2009 Hou ..... D14/144  
 D610,472 S \* 2/2010 Nashimoto ..... D10/32  
 D615,955 S \* 5/2010 Oh et al. .... D14/138 AA  
 D626,550 S \* 11/2010 Julien ..... D14/341  
 D636,686 S \* 4/2011 Cobbett et al. .... D10/38  
 D645,360 S \* 9/2011 Kiser et al. .... D10/32  
 D650,706 S \* 12/2011 Zanella et al. .... D10/32  
 D661,275 S \* 6/2012 Roka ..... D14/138 R  
 D664,880 S \* 8/2012 Cobbett et al. .... D11/3  
 D664,881 S \* 8/2012 Cobbett et al. .... D11/3  
 D671,858 S \* 12/2012 Cobbett et al. .... D11/3  
 D672,255 S \* 12/2012 Zanella et al. .... D10/32  
 2004/0209657 A1 \* 10/2004 Ghassabian ..... 455/575.1

OTHER PUBLICATIONS

Zypad WL 1000, posted Jun. 29, 2007 [online], [retrieved Aug. 22, 2013]. Retrieved from Internet, <http://www.pocket-lint.com/news/81360-zypad-wl1000-futuristic-wearable-computer>.\*

iWatch Concept, posted Feb. 21, 2013 [online], [retrieved Aug. 21, 2013]. Retrieved from Internet, <http://appleinsider.com>.\*

Samsungpatent for a wrist watch computing device, posted Aug. 14, 2013 [online], [retrieved Aug. 21, 2013]. Retrieved from Internet, <http://appleinsider.com>.\*

Microsoft "Smartwatch", posted Apr. 17, 2013 [online], [retrieved Aug. 22, 2013]. Retrieved from Internet, <http://kotaku.com/report-xbox-staff-working-on-microsoft-smartwatch-475322574>.\*

Smartwatches, posted Mar. 25, 2013 [online], [retrieved Aug. 22, 2013]. Retrieved from Internet, <http://www.trustedreviews.com/opinions/smart-watches-fad-or-the-future>.\*

Microsoft smartwatch, posted Apr. 15, 2013 [online], [retrieved Aug. 22, 2013]. Retrieved from Internet, <http://www.digitaltrends.com>.\*

Samsung SPH-WP10, posted Mar. 21, 2013 [online], [retrieved Aug. 21, 2013]. Retrieved from Internet, <http://appleinsider.com>.\*

Sony SmartWatch, posted Mar. 19, 2012 [online], [retrieved Aug. 22, 2013]. Retrieved from Internet, <http://www.theverge.com/2012/3/19/2876341/sony-smartwatch-review>.\*

Microsof SPTO Watch Smartwatch, posted Mar. 11, 2013 [online], [retrieved Aug. 22, 2013]. Retrieved from Internet, <http://www.smartwatchnews.org/2004-microsoft-spot-watch-smartwatch/>.\*

I'm Watch, posted Jan. 10, 2012 [online], [retrieved Aug. 22, 2013]. Retrieved from Internet, <http://www.theverge.com>.\*

Sonostar, posted May 21, 2013 [online], [retrieved Aug. 25, 2013]. Retrieved from Internet, [http://reviews.cnet.com/cell-phone-and-smart/sonostar-smartwatch/4505-6448\\_7-35768972.html](http://reviews.cnet.com/cell-phone-and-smart/sonostar-smartwatch/4505-6448_7-35768972.html).\*

Slap Band Watches, posted Dec. 18, 2011 [online], [retrieved Aug. 25, 2013]. Retrieved from Internet, <http://www.whatsondeals.com>.\*

\* cited by examiner

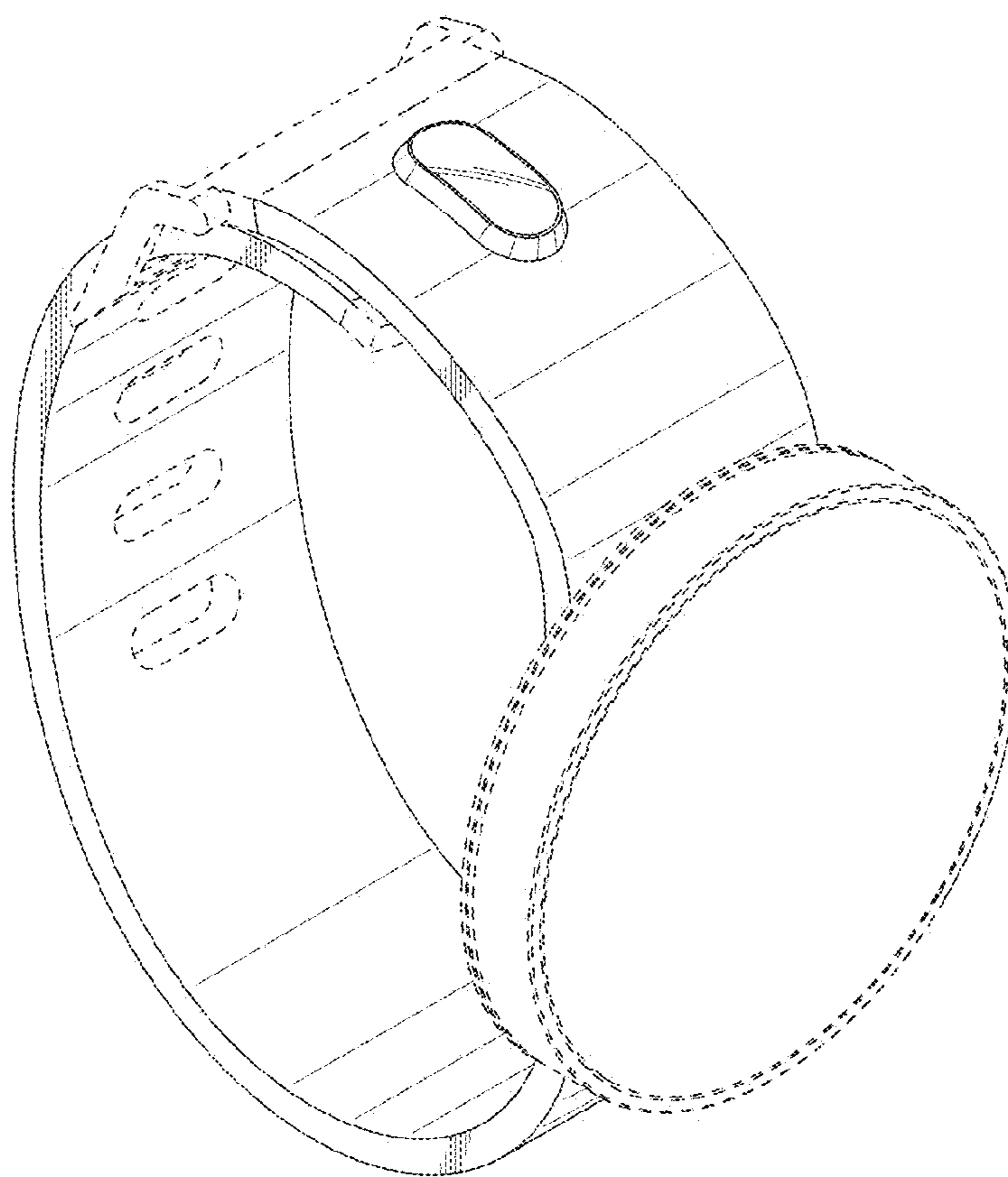


FIG. 1

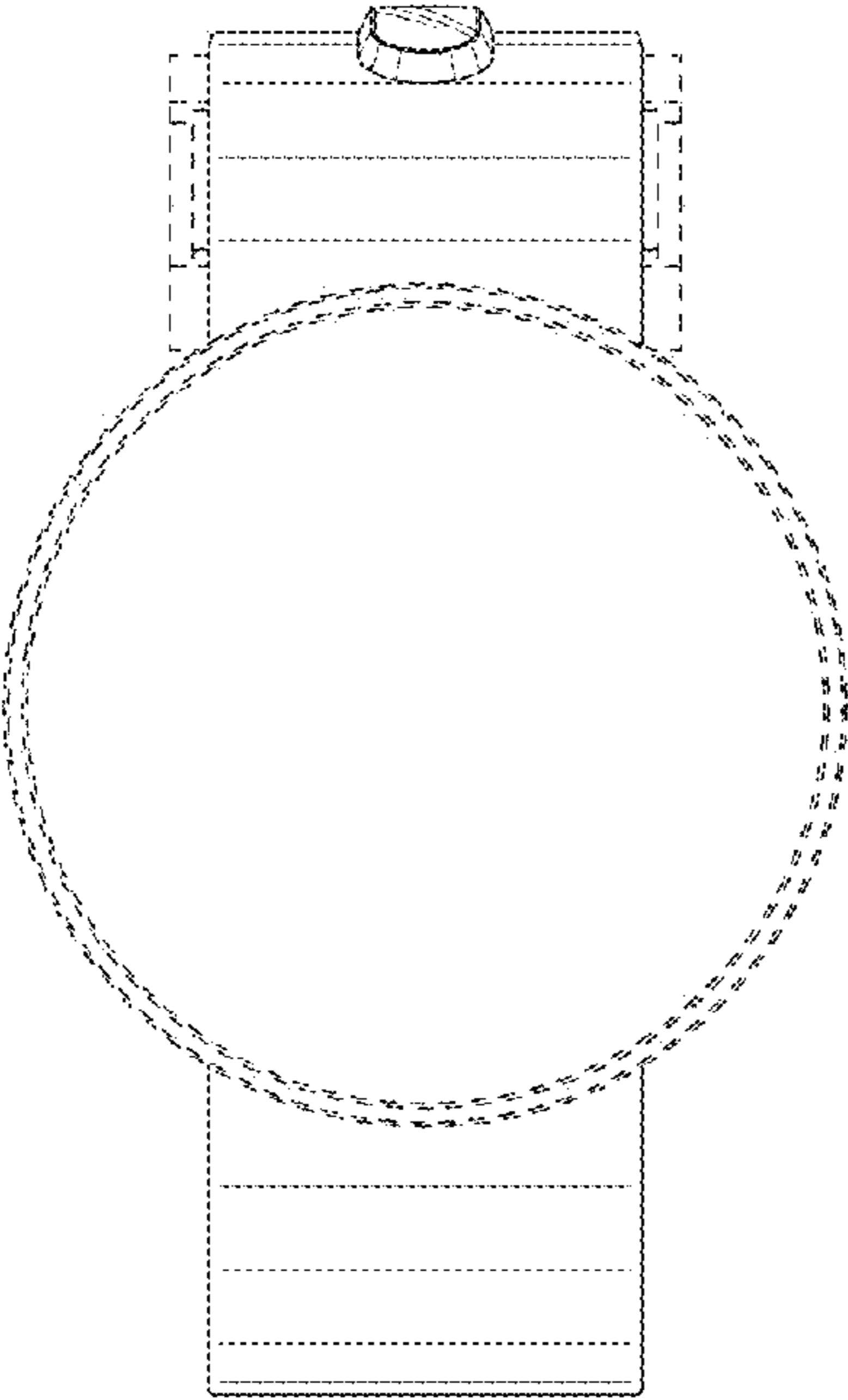


FIG. 2

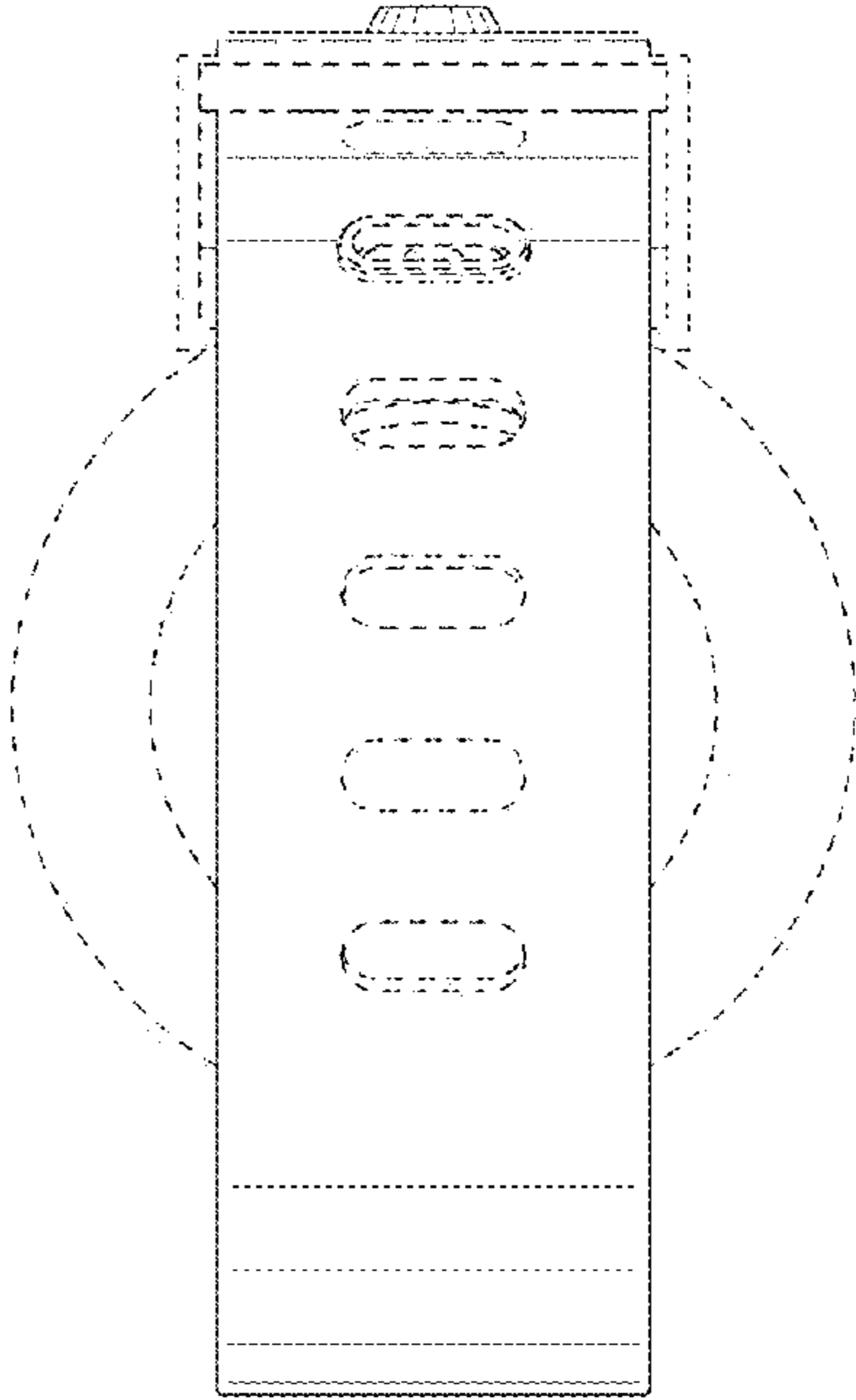


FIG. 3

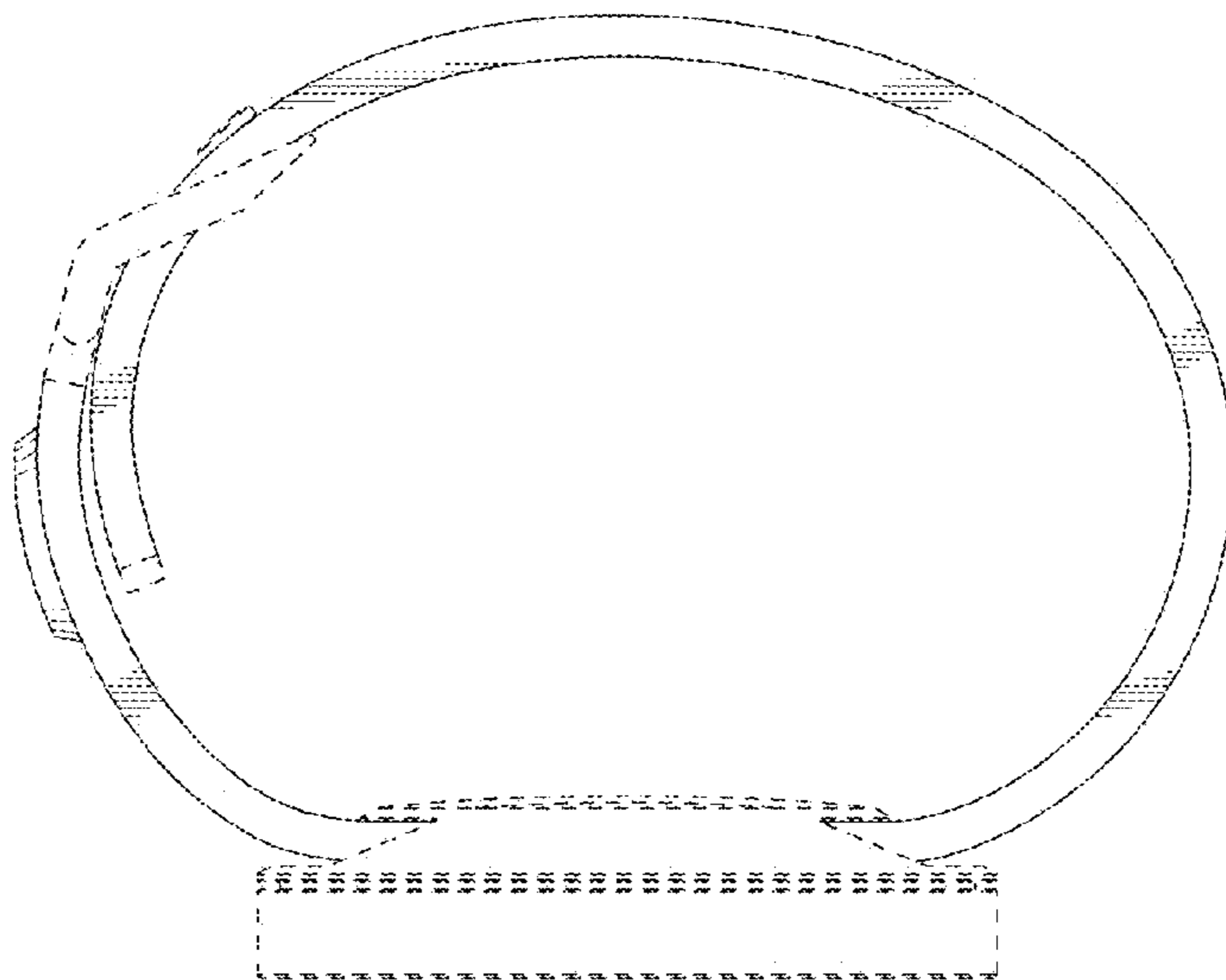


FIG. 5

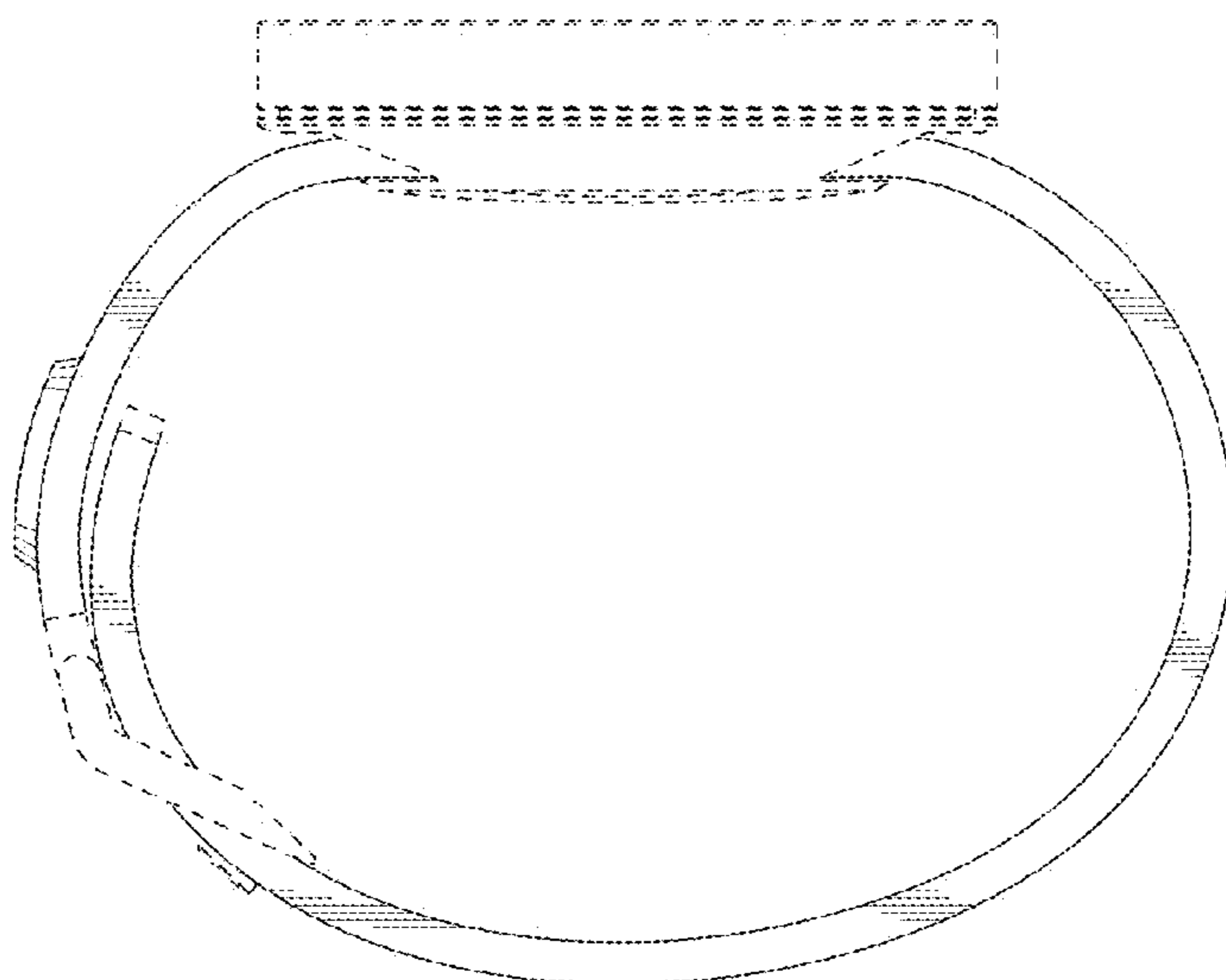


FIG. 4

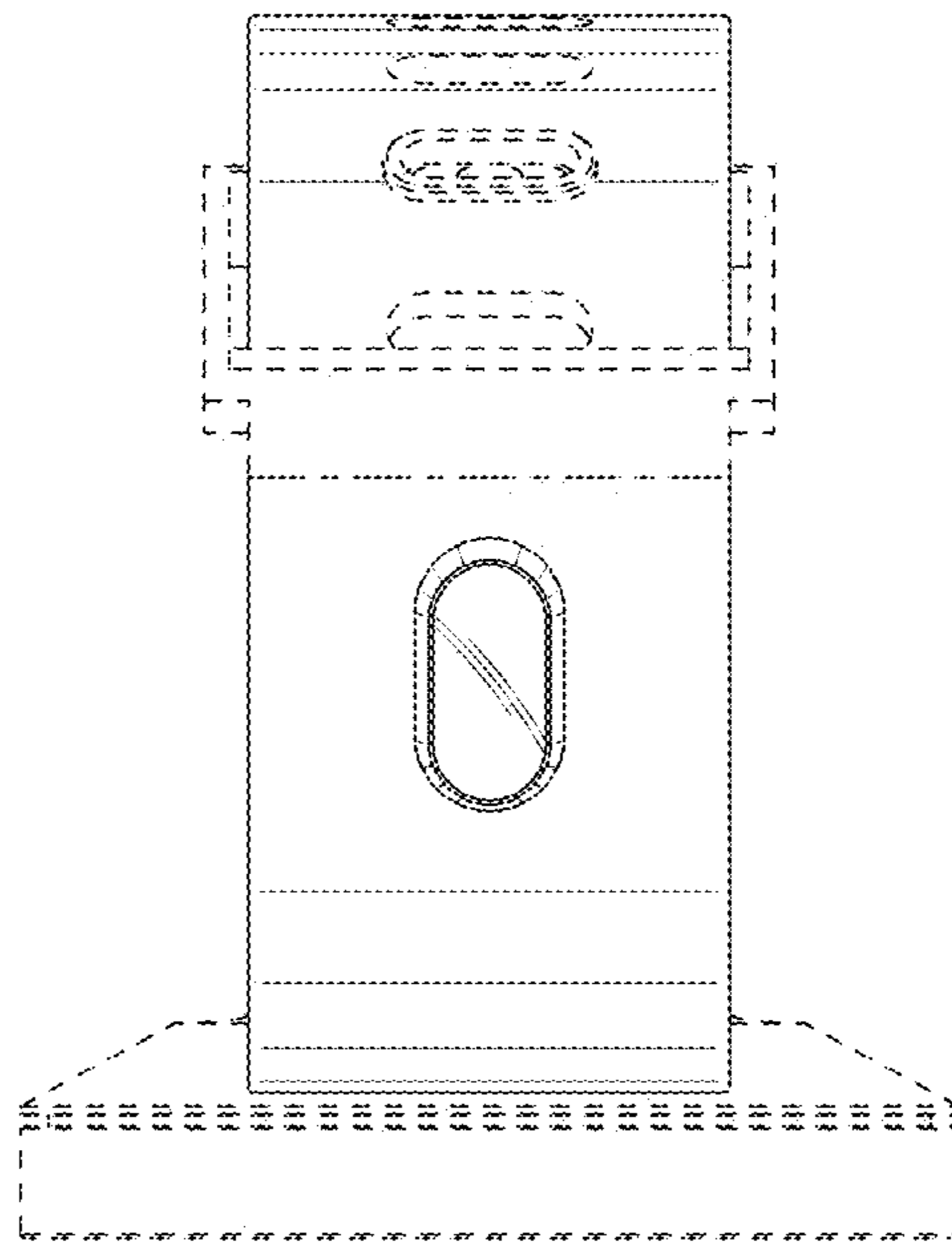


FIG. 6

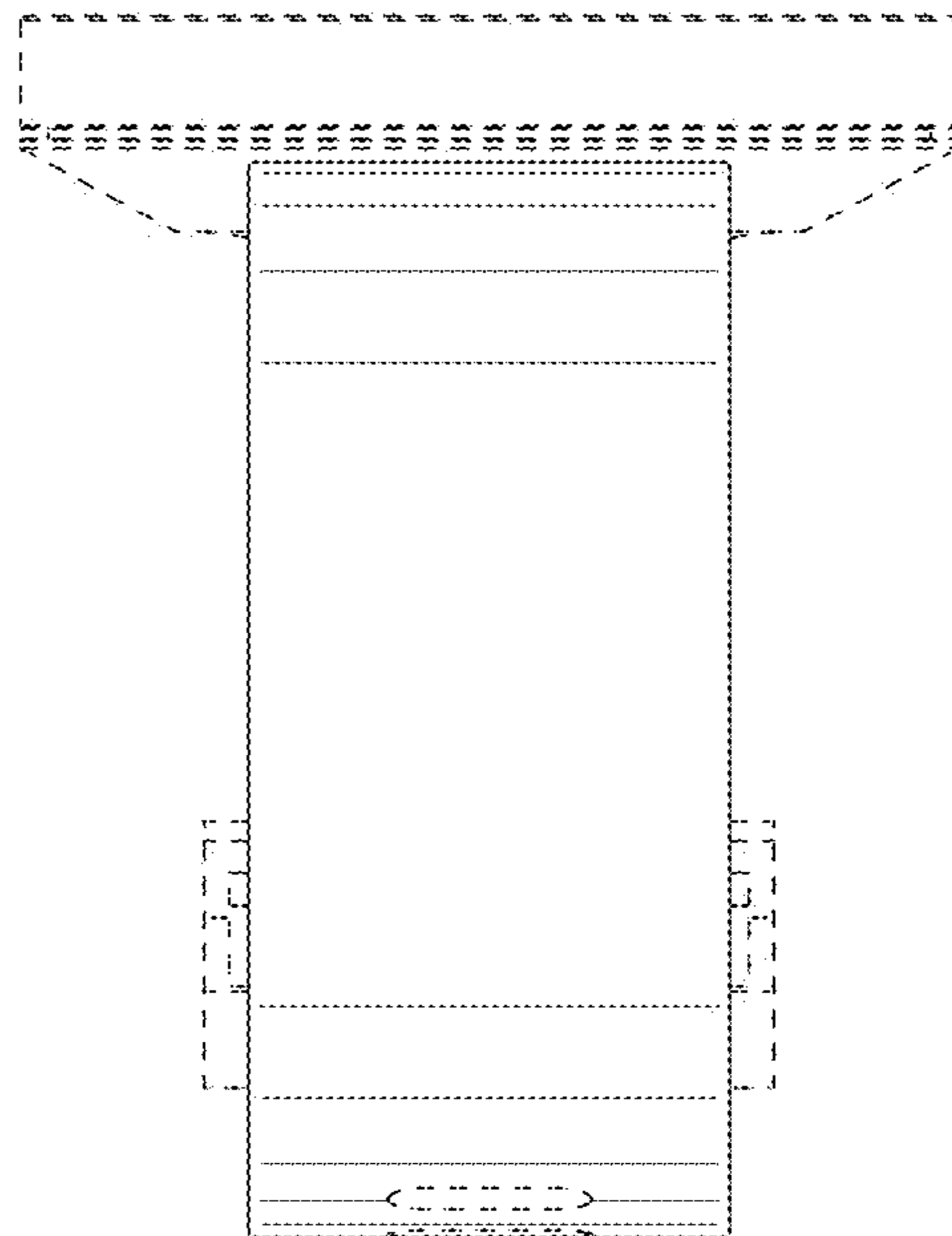


FIG. 7

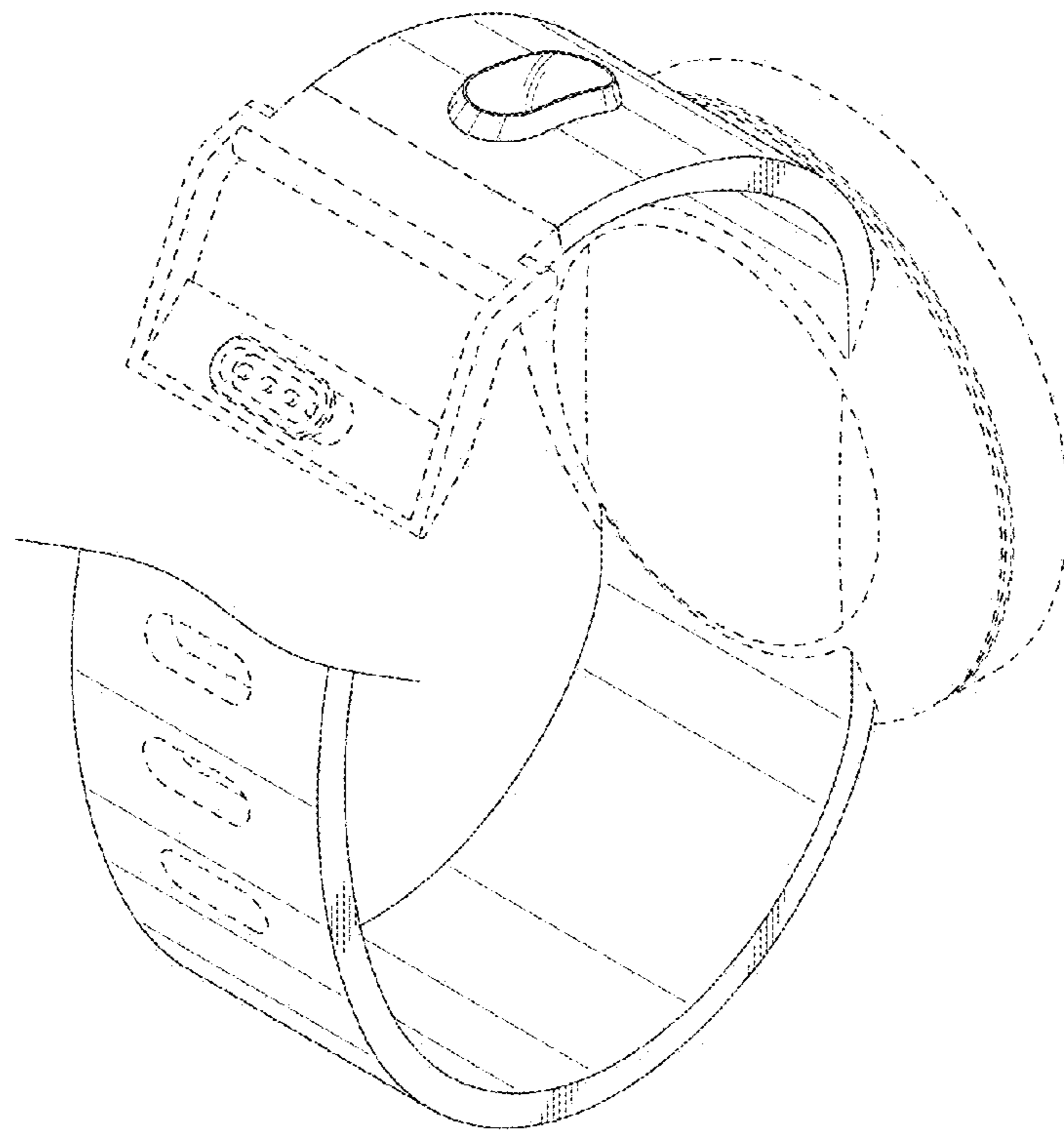


FIG. 8