



US00D711365S

(12) **United States Design Patent**
Miles

(10) **Patent No.:** **US D711,365 S**

(45) **Date of Patent:** **** Aug. 19, 2014**

(54) **MOBILE PHONE HOLDER**

(71) Applicant: **Torence Miles**, Corinth, TX (US)

(72) Inventor: **Torence Miles**, Corinth, TX (US)

(**) Term: **14 Years**

(21) Appl. No.: **29/456,505**

(22) Filed: **May 31, 2013**

(51) **LOC (10) Cl.** **14-03**

(52) **U.S. Cl.**

USPC **D14/253**; D9/418

(58) **Field of Classification Search**

USPC D14/208, 209.1, 217, 238.1, 243,
D14/250–253, 434, 440, 447, 496,
D14/203.3–203.7, 248, 240, 341–347;
D3/201, 215, 218, 226, 269, 273, 301,
D3/303; D19/90; D6/553; 455/575.1,
455/575.8; 206/305, 320; 320/108, 115;
429/96; 220/4.02; 150/165;
361/679.56, 679.3, 679.25, 816;
379/426, 446, 455, 433.1; 248/371,
248/176.3, 668; 224/411; D12/223, 407,
D12/415; D13/102, 108; D9/414–420

See application file for complete search history.

(56) **References Cited**

U.S. PATENT DOCUMENTS

D47,574 S *	7/1915	Warren	D9/418
D273,179 S *	3/1984	Shore	D9/432
D289,974 S *	5/1987	Hamilton et al.	D9/754
D307,673 S *	5/1990	Brown	D3/218
D381,515 S *	7/1997	Haynes	D3/313
6,659,274 B2 *	12/2003	Enners	206/305
D503,883 S *	4/2005	Cox	D9/418
D542,524 S *	5/2007	Richardson et al.	D3/218
D575,147 S *	8/2008	Ruybal	D99/34

D589,626 S *	3/2009	Petersen	D24/230
D589,787 S *	4/2009	Ruybal	D99/34
D610,447 S *	2/2010	Seum et al.	D9/418
D623,515 S *	9/2010	Gordon et al.	D9/432
D628,374 S *	12/2010	Lee et al.	D3/201
D661,897 S *	6/2012	Kohler et al.	D3/294
D668,246 S *	10/2012	Fathollahi	D14/250
D671,425 S *	11/2012	Huljak et al.	D9/721
D680,881 S *	4/2013	Huljak et al.	D9/721
D701,114 S *	3/2014	Baumwald et al.	D9/418
D703,527 S *	4/2014	Fuller et al.	D9/418
2011/0210025 A1 *	9/2011	Miles	206/320

* cited by examiner

Primary Examiner — Susan Bennett Hattan

Assistant Examiner — Janice Hallmark

(74) *Attorney, Agent, or Firm* — Chainey P. Singleton;
Edwin S. Flores; Chalker Flores, LLP

(57) **CLAIM**

The ornamental design for a mobile phone holder, as shown and described.

DESCRIPTION

FIG. 1 is an isometric view of a mobile phone holder showing my new design.

FIG. 2 is an isometric view of a mobile phone holder showing my new design with the door open.

FIG. 3 is a side view of a mobile phone holder showing my new design.

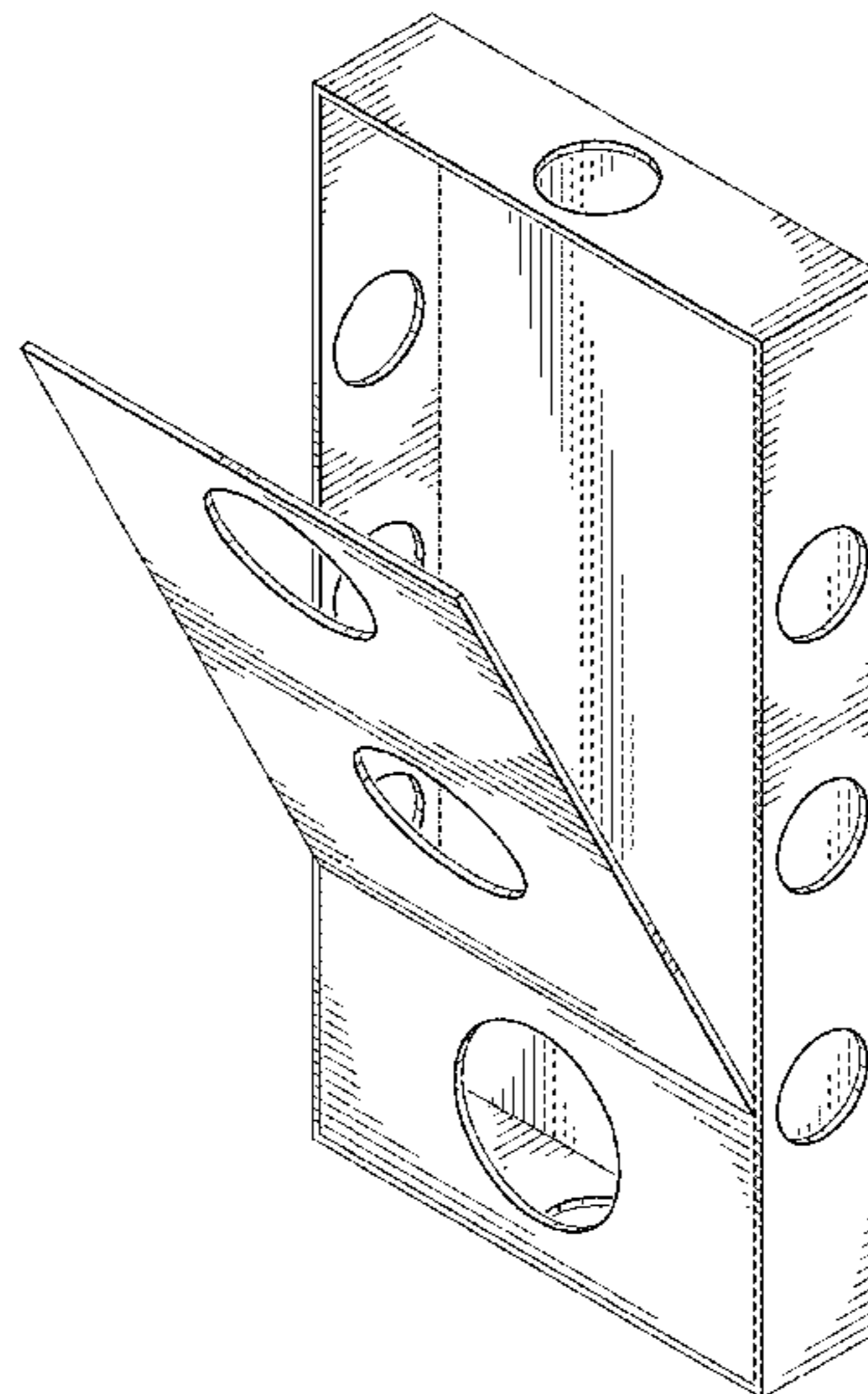
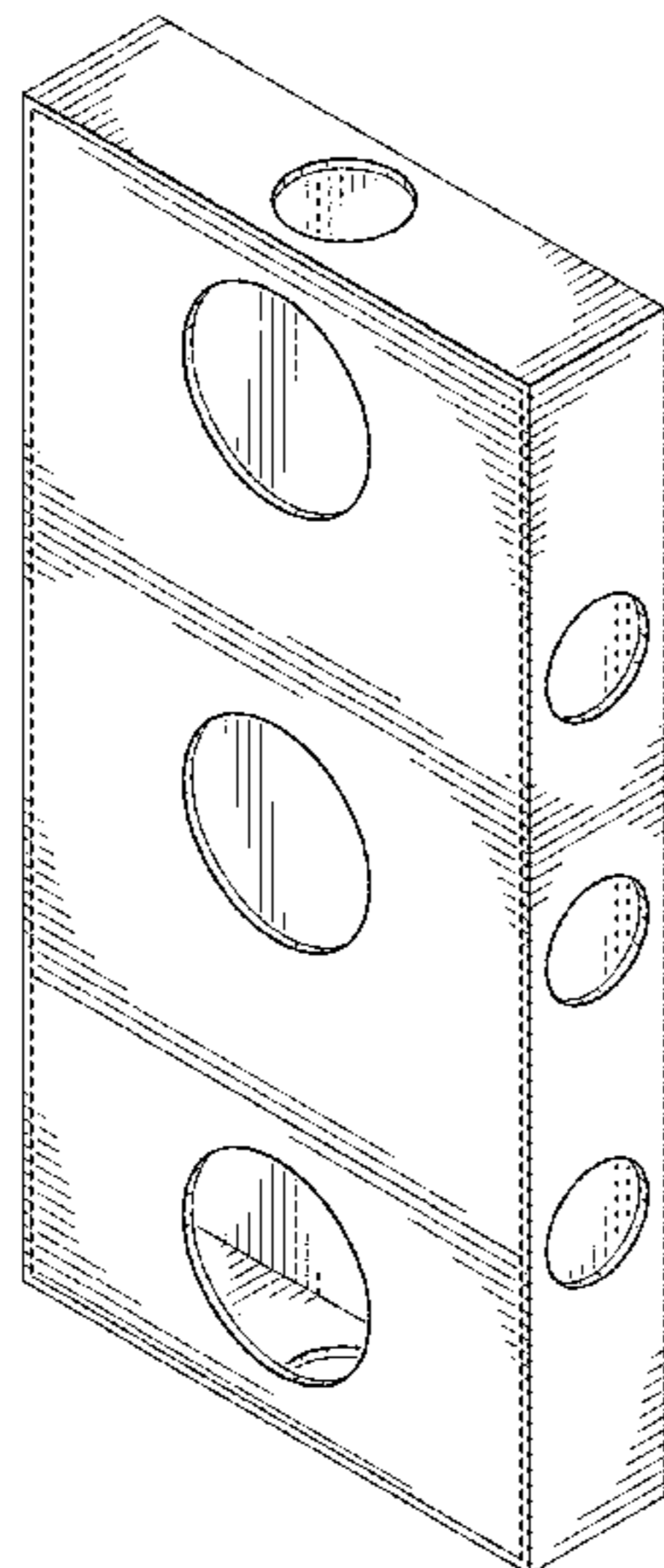
FIG. 4 is a back view of a mobile phone holder showing my new design.

FIG. 5 is a bottom view of a mobile phone holder showing my new design.

FIG. 6 is a bottom view of a mobile phone holder showing my new design; and,

FIG. 7 is a front view of a mobile phone holder showing my new design.

1 Claim, 3 Drawing Sheets



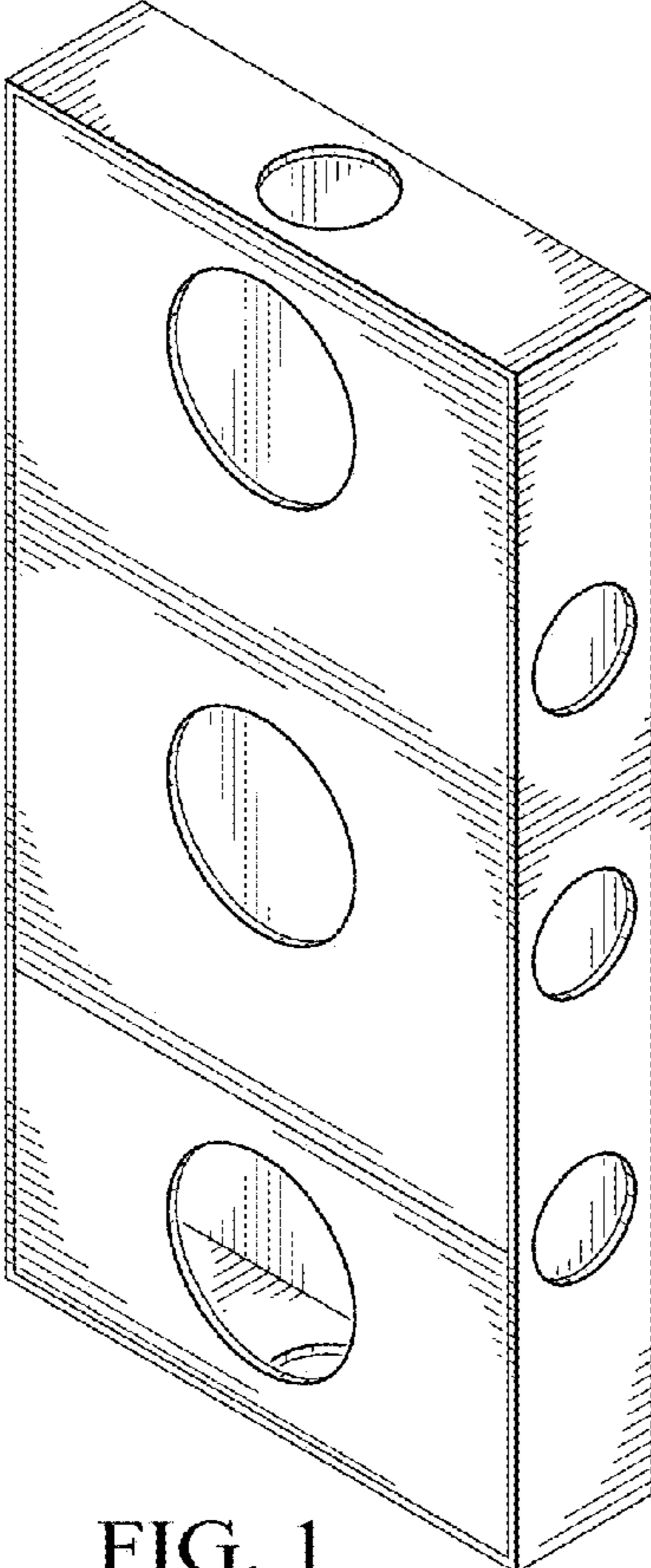


FIG. 1

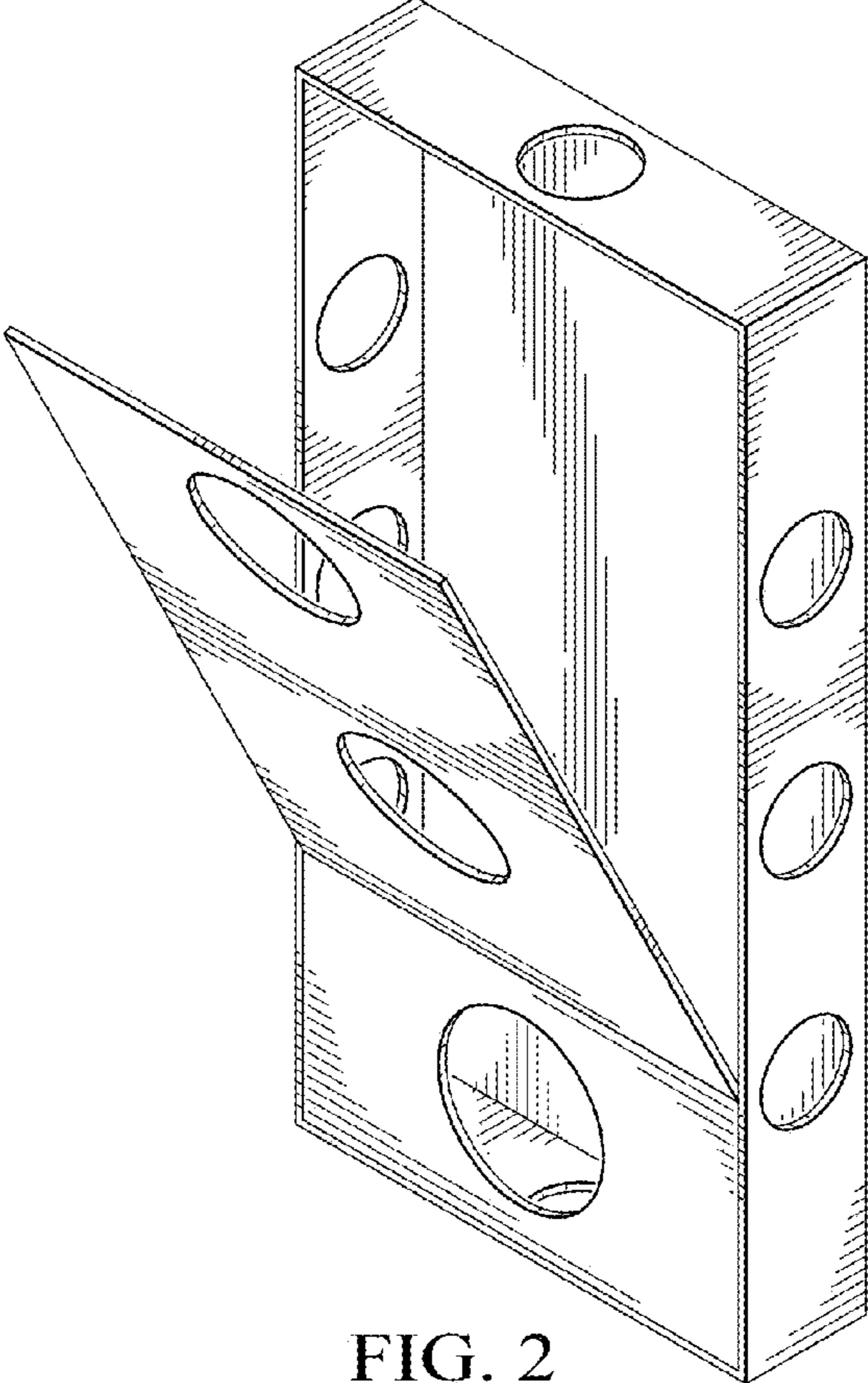


FIG. 2

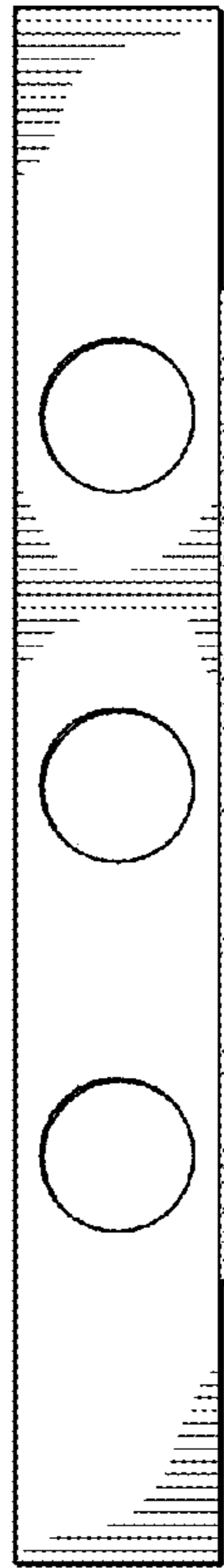


FIG. 3

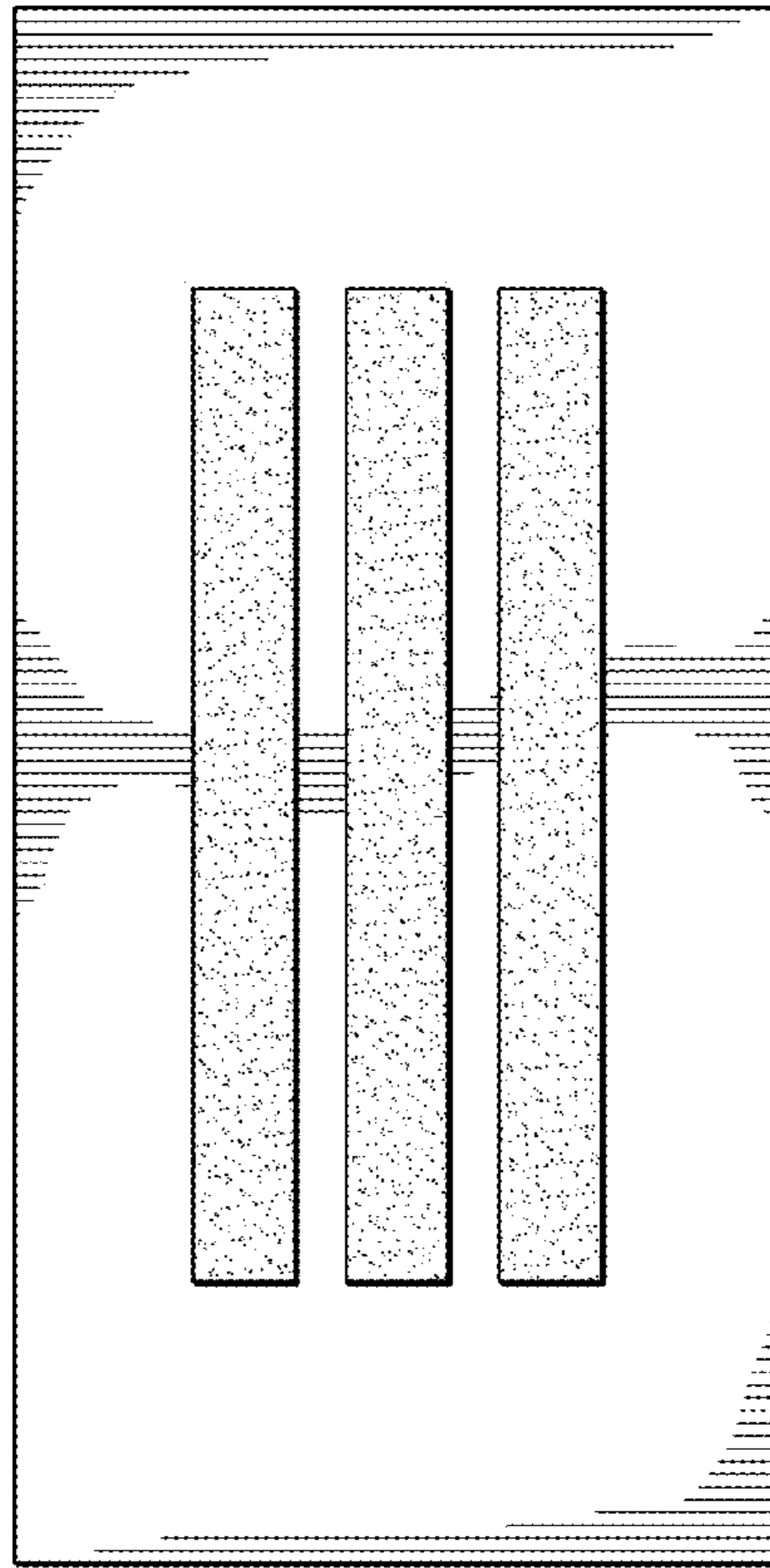


FIG. 4

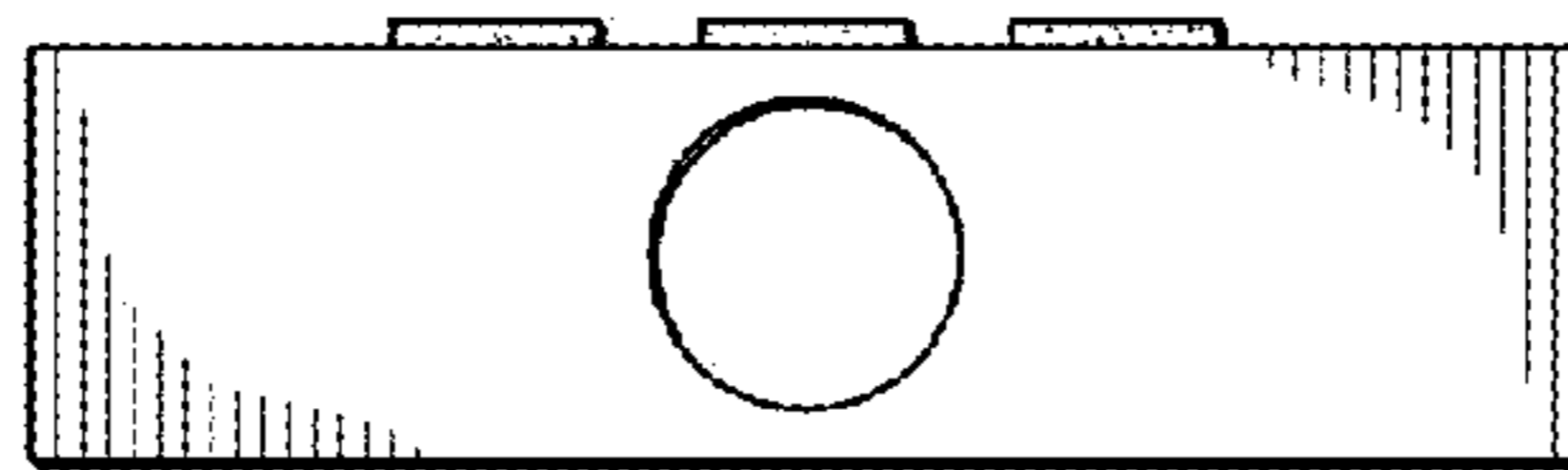


FIG. 5

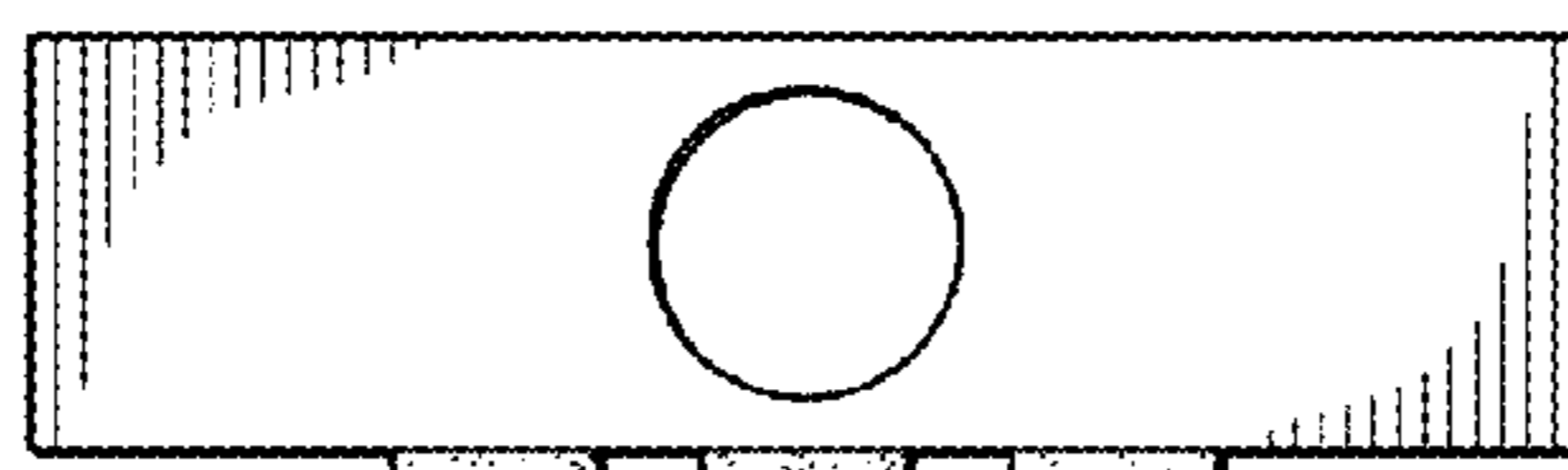


FIG. 6

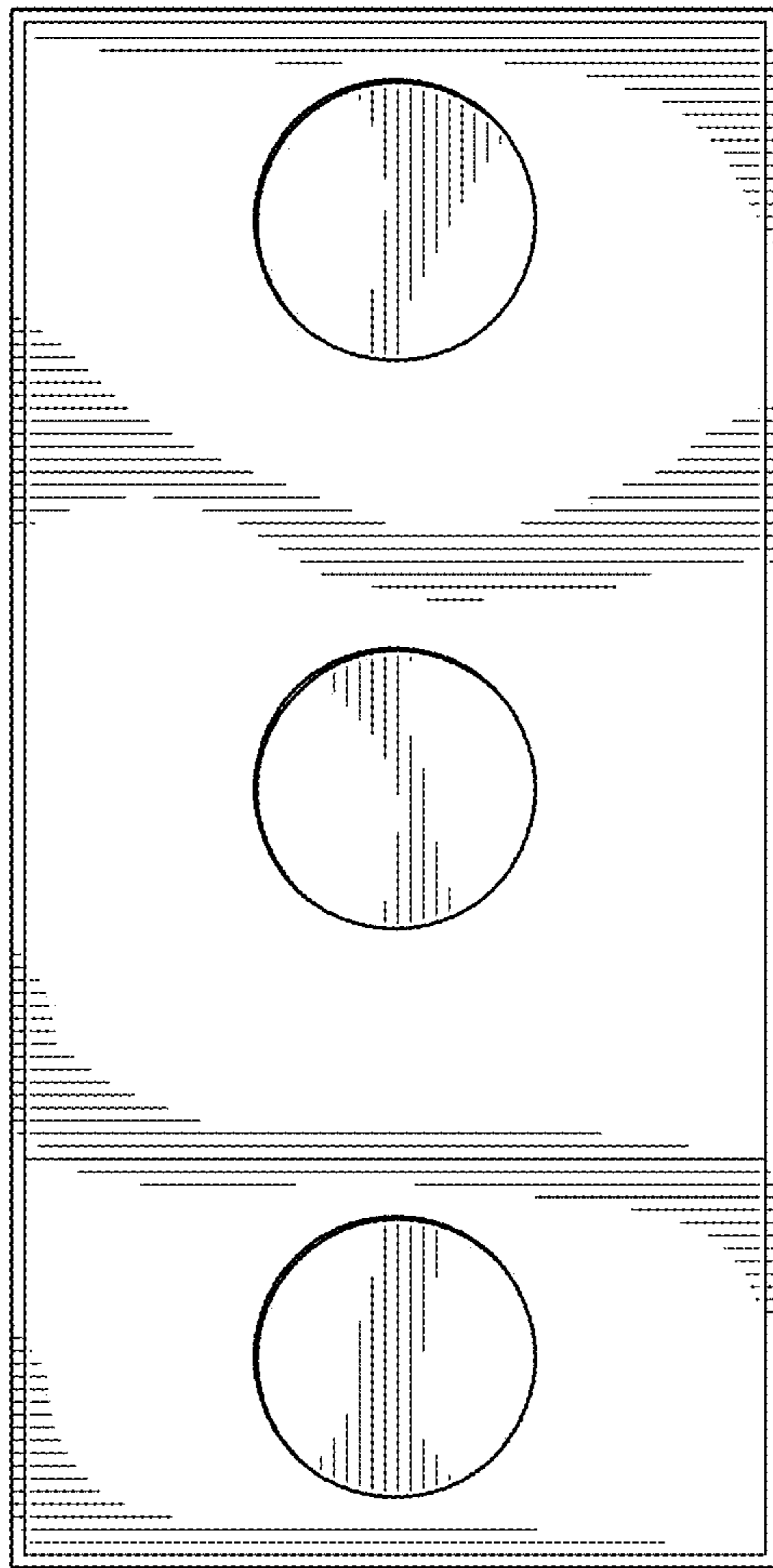


FIG. 7