



US00D711364S

(12) **United States Design Patent**
Barker

(10) **Patent No.:** **US D711,364 S**

(45) **Date of Patent:** **** Aug. 19, 2014**

(54) **ACOUSTIC CONCENTRATOR FOR A MOBILE PHONE**

D691,125 S * 10/2013 Cheon et al. D14/253
D700,903 S * 3/2014 Hoffman et al. D14/208

* cited by examiner

(71) Applicant: **Nicholas Barker Design LLC**, Laguna Beach, CA (US)

Primary Examiner — Susan Bennett Hattan

Assistant Examiner — Janice Hallmark

(72) Inventor: **Nicholas Evan Barker**, Laguna Beach, CA (US)

(74) *Attorney, Agent, or Firm* — Boris Leschinsky

(73) Assignee: **Nicholas Barker Design LLC**, Laguna Beach, CA (US)

(57) **CLAIM**

The ornamental design of an acoustic concentrator for a mobile phone, as shown and described.

(**) Term: **14 Years**

DESCRIPTION

(21) Appl. No.: **29/467,278**

FIG. 1 is a general three-quarter side view of the acoustic concentrator showing my new design with a mobile phone placed thereon;

(22) Filed: **Sep. 17, 2013**

FIG. 2 is a general three-quarter top view of the acoustic concentrator;

(51) **LOC (10) Cl.** **14-03**

(52) **U.S. Cl.**
USPC **D14/252**; D14/208; D14/209.1; D14/253

FIG. 3 is a general three-quarter back view of the acoustic concentrator;

(58) **Field of Classification Search**

USPC D14/208, 209.1, 217, 238.1, 243, D14/250–253, 434, 440, 447, 496, D14/203.3–203.7, 248, 240, 341–347; D3/201, 215, 218, 226, 269, 273, 301, D3/303; D19/90; D6/553; 455/575.1, 455/575.8; 206/305, 320; 320/108, 115; 429/96; 220/4.02; 150/165; 361/679.56, 679.3, 679.25, 816; 379/426, 446, 455, 433.1; 248/309.1, 248/371, 176.3, 668; 224/411; D12/223, D12/407

FIG. 4 is a general top view with the acoustic concentrator placed on its side, such as to make it advantageous to view the mobile phone in landscape orientation, for example when watching movies;

FIG. 5 is a side view of the acoustic concentrator from the left;

FIG. 6 is a back view of the acoustic concentrator;

FIG. 7 is a side view of the acoustic concentrator from the right;

FIG. 8 is a front view of the acoustic concentrator;

FIG. 9 is a bottom view of the acoustic concentrator;

FIG. 10 is a back view of the acoustic concentrator and the mobile phone placed thereon;

FIG. 11 is a cross-sectional view of the acoustic concentrator along the line 11-11 in FIG. 10;

FIG. 12 is a side view of the acoustic concentrator showing a line of view 13-13, and,

FIG. 13 is a cross-sectional view of the acoustic concentrator along the line 13-13 in FIG. 12.

The broken lines included in FIGS. 1, 3, 10-13 depict environmental subject matter and are for illustration only and form no part of the claimed design.

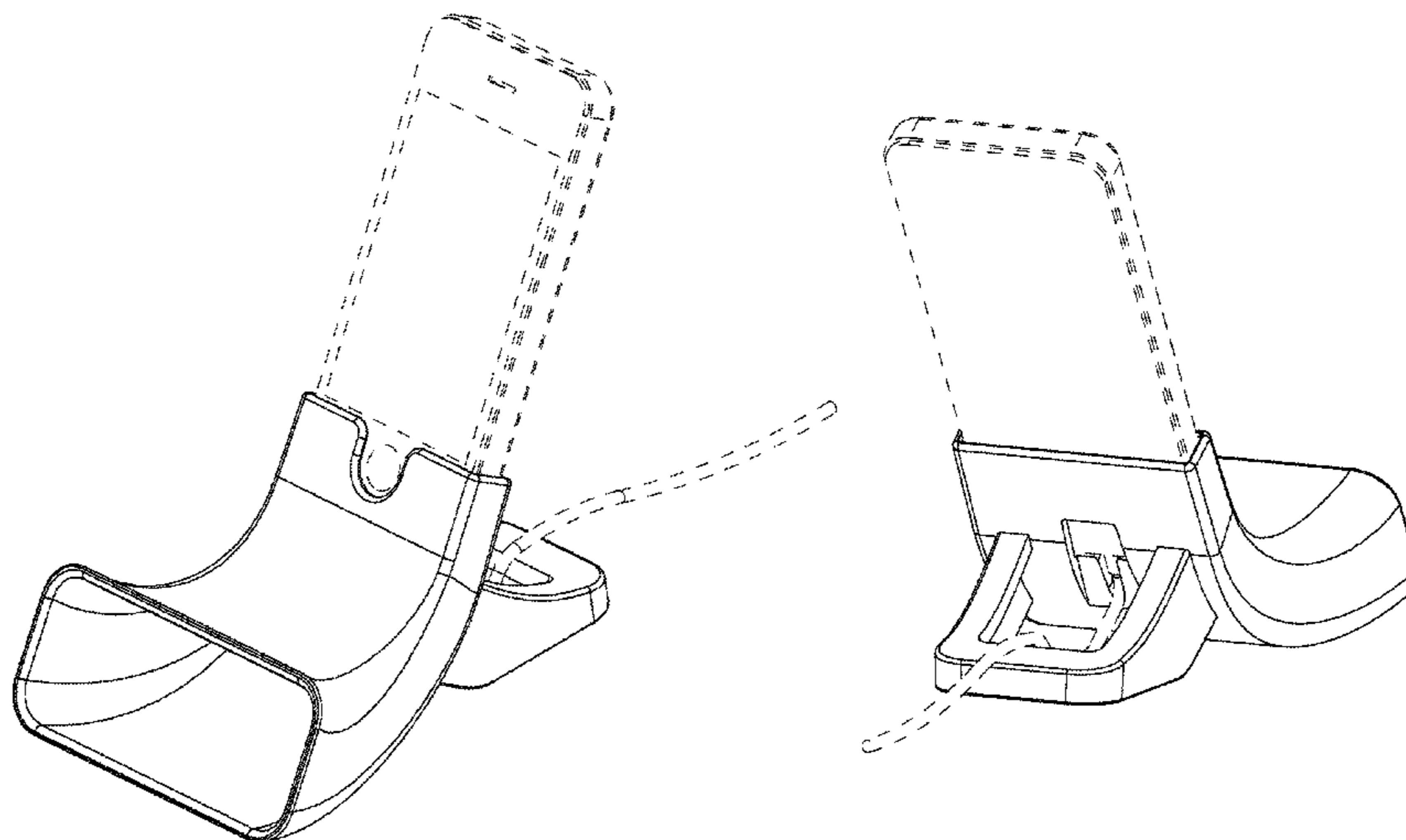
See application file for complete search history.

(56) **References Cited**

U.S. PATENT DOCUMENTS

D530,319 S * 10/2006 Sarasjoki et al. D14/253
D645,820 S * 9/2011 Lin D13/118
D656,479 S * 3/2012 Lin D14/188
D677,650 S * 3/2013 Bosa D14/208
D691,116 S * 10/2013 Ponce D14/215

1 Claim, 6 Drawing Sheets



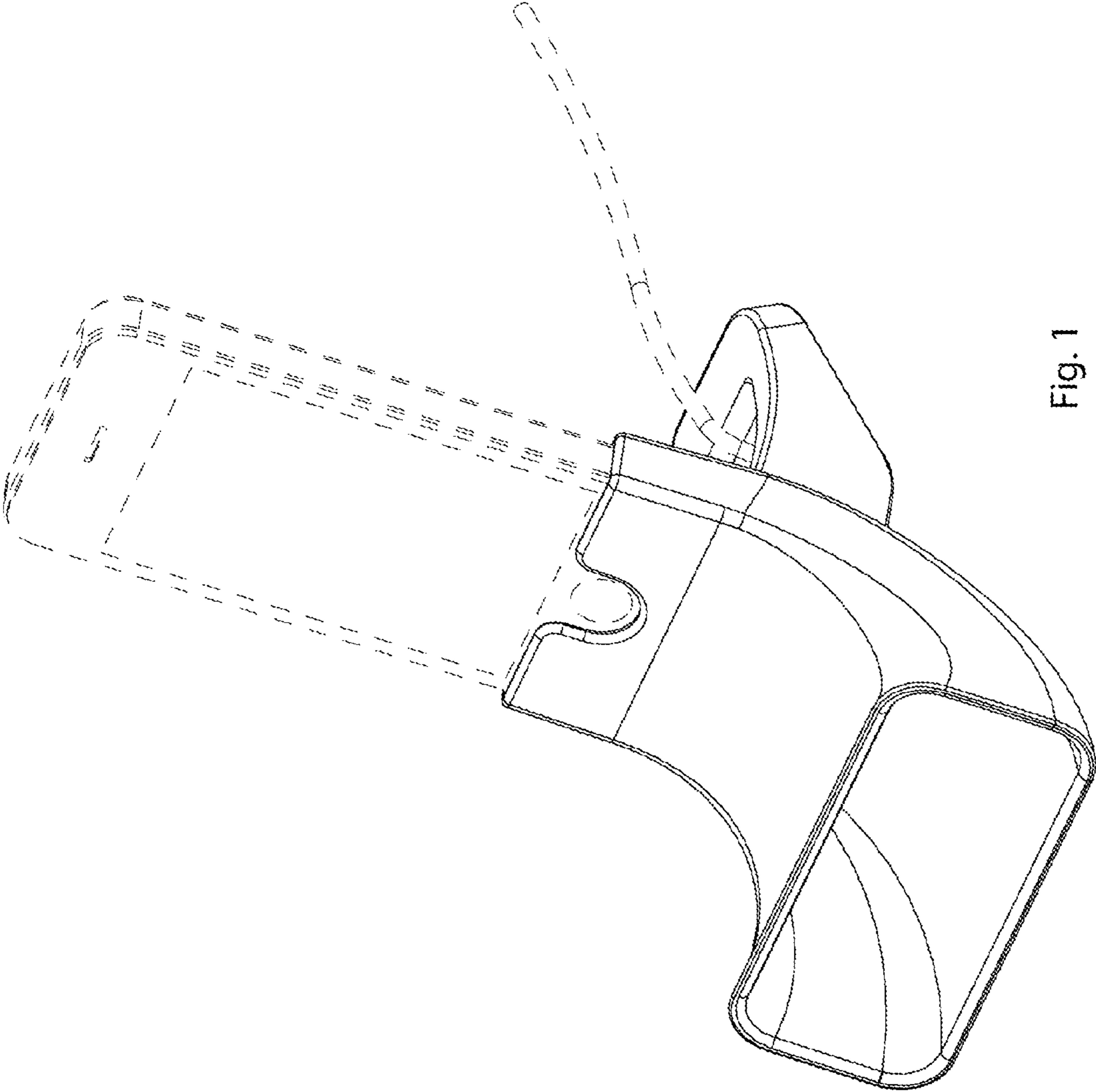


Fig. 1

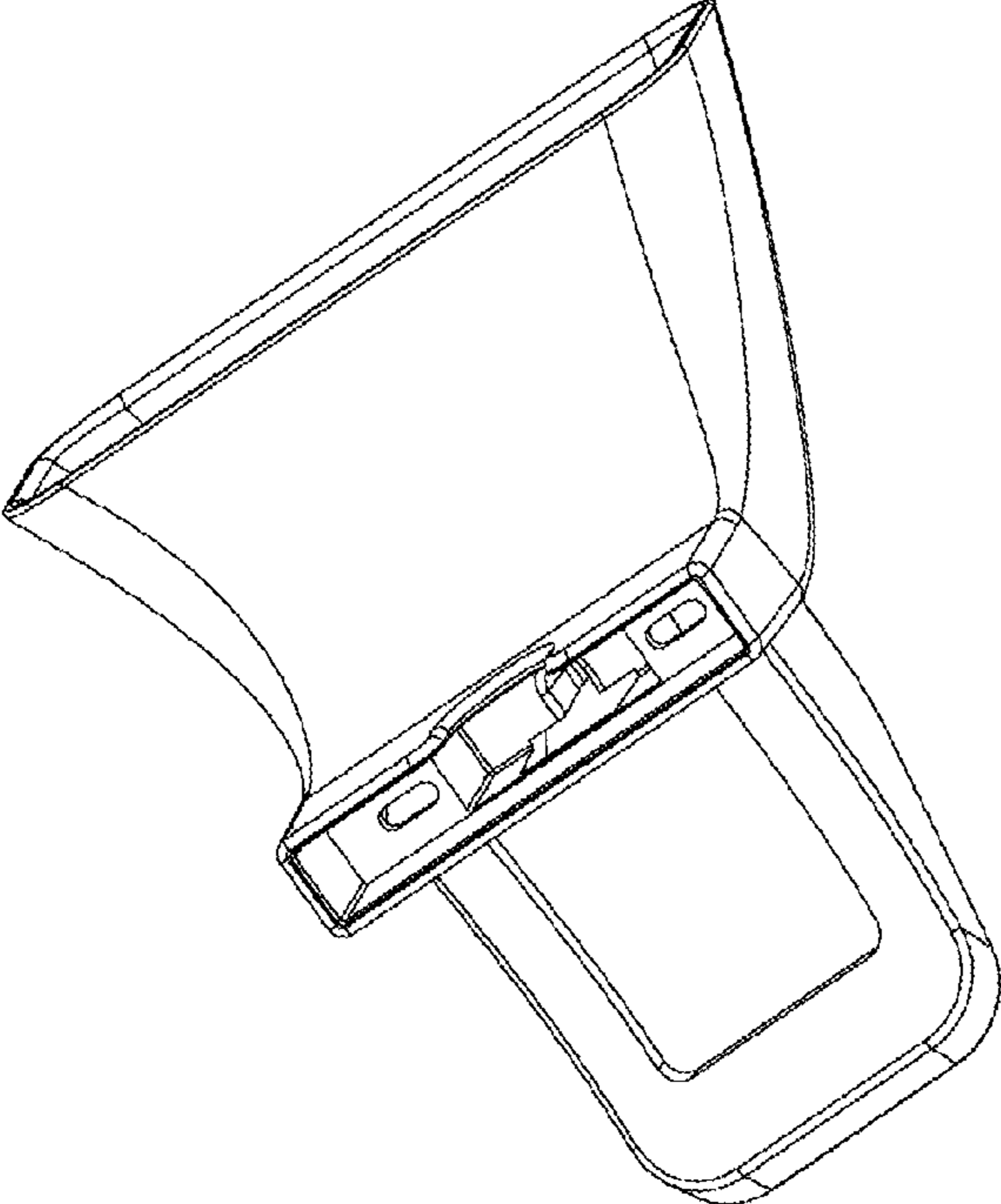


Fig. 2

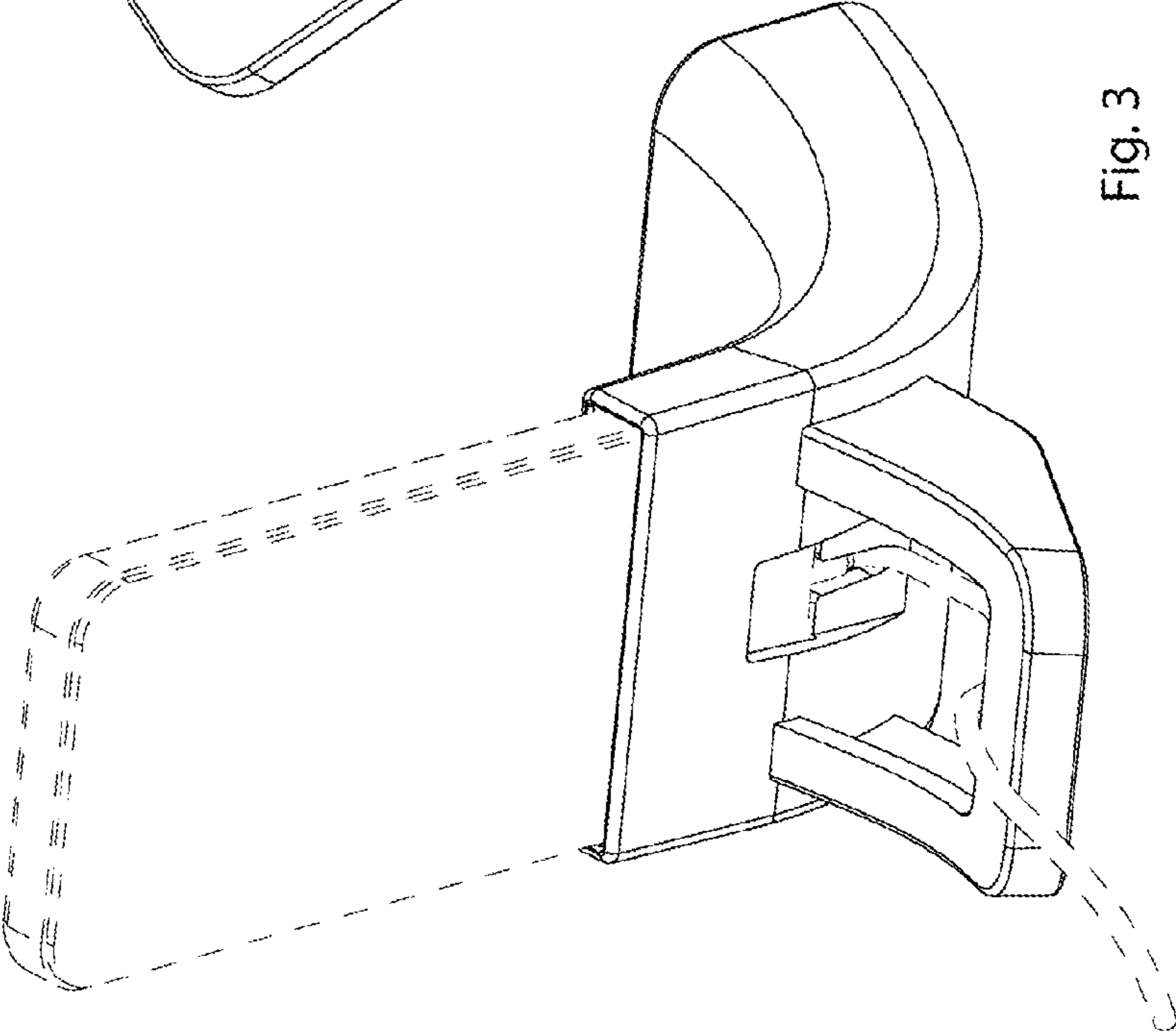


Fig. 3

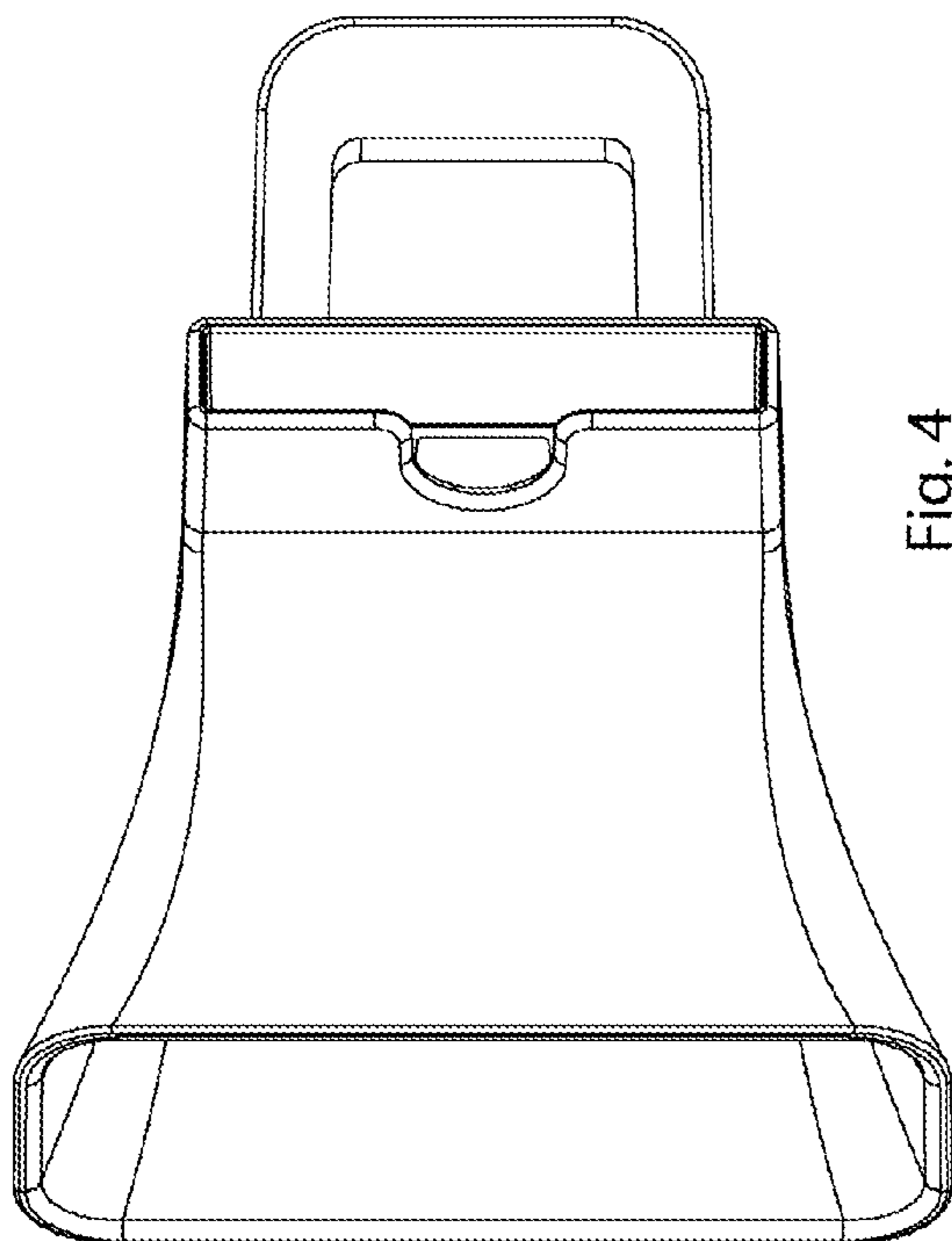


Fig. 4

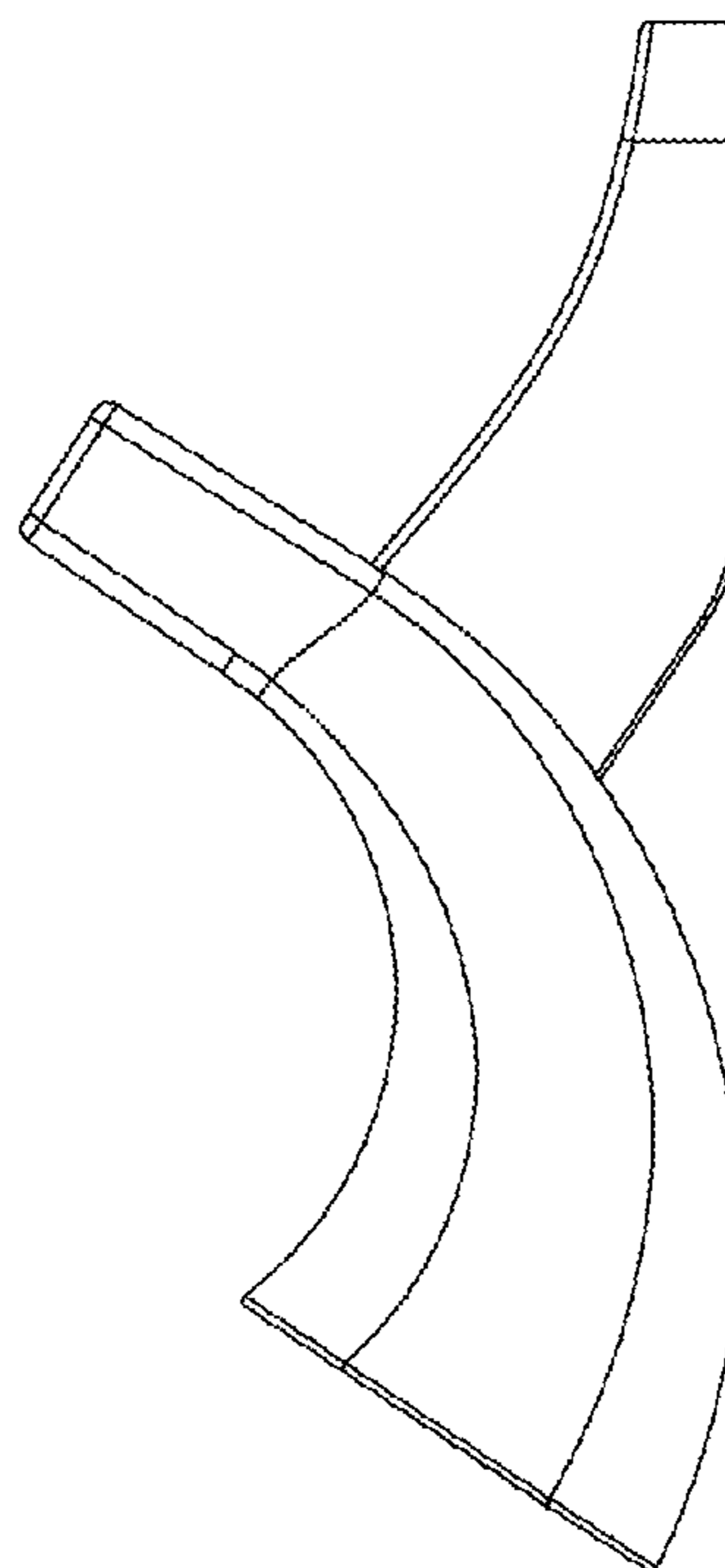


Fig. 5

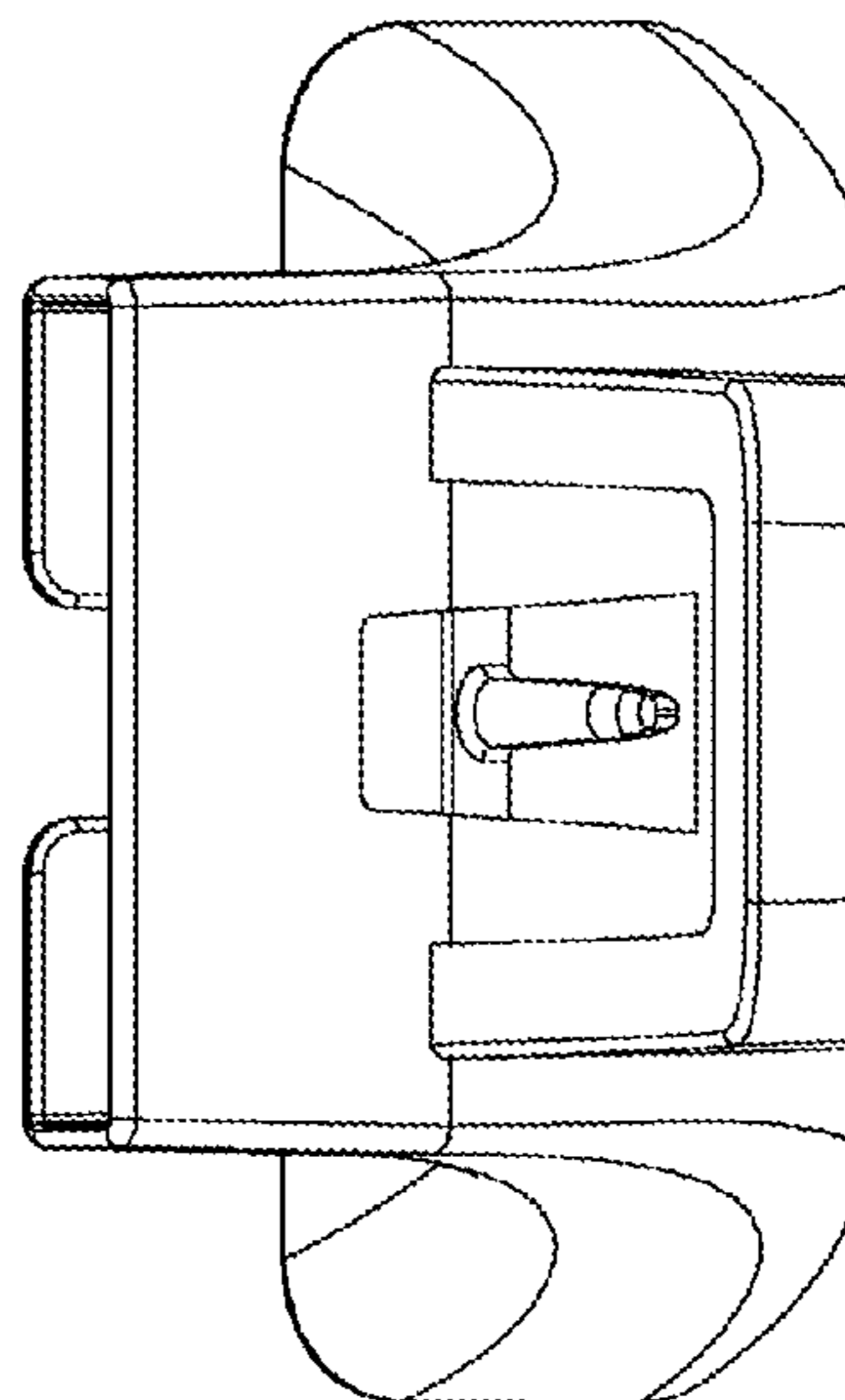


Fig. 6

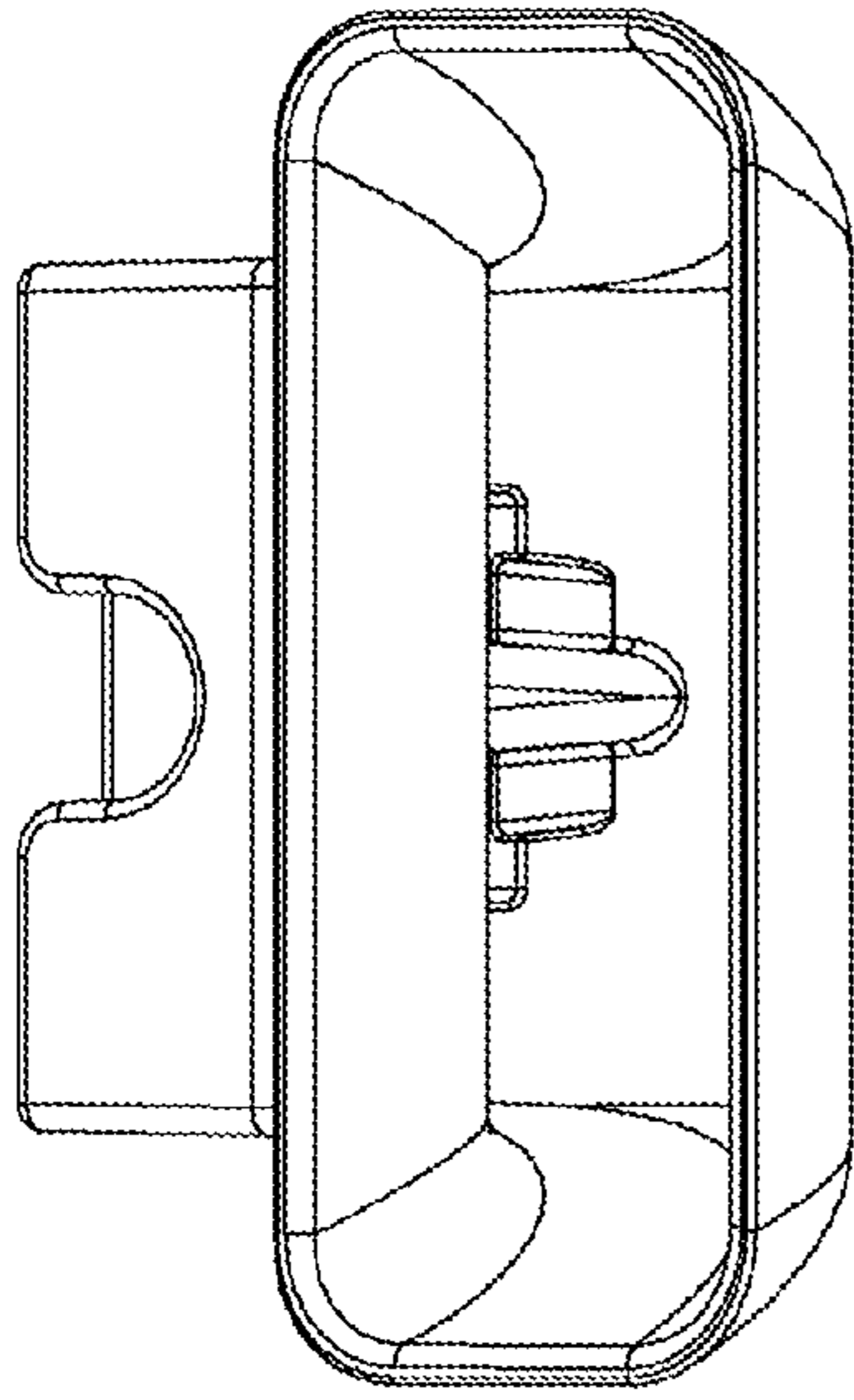


Fig. 8

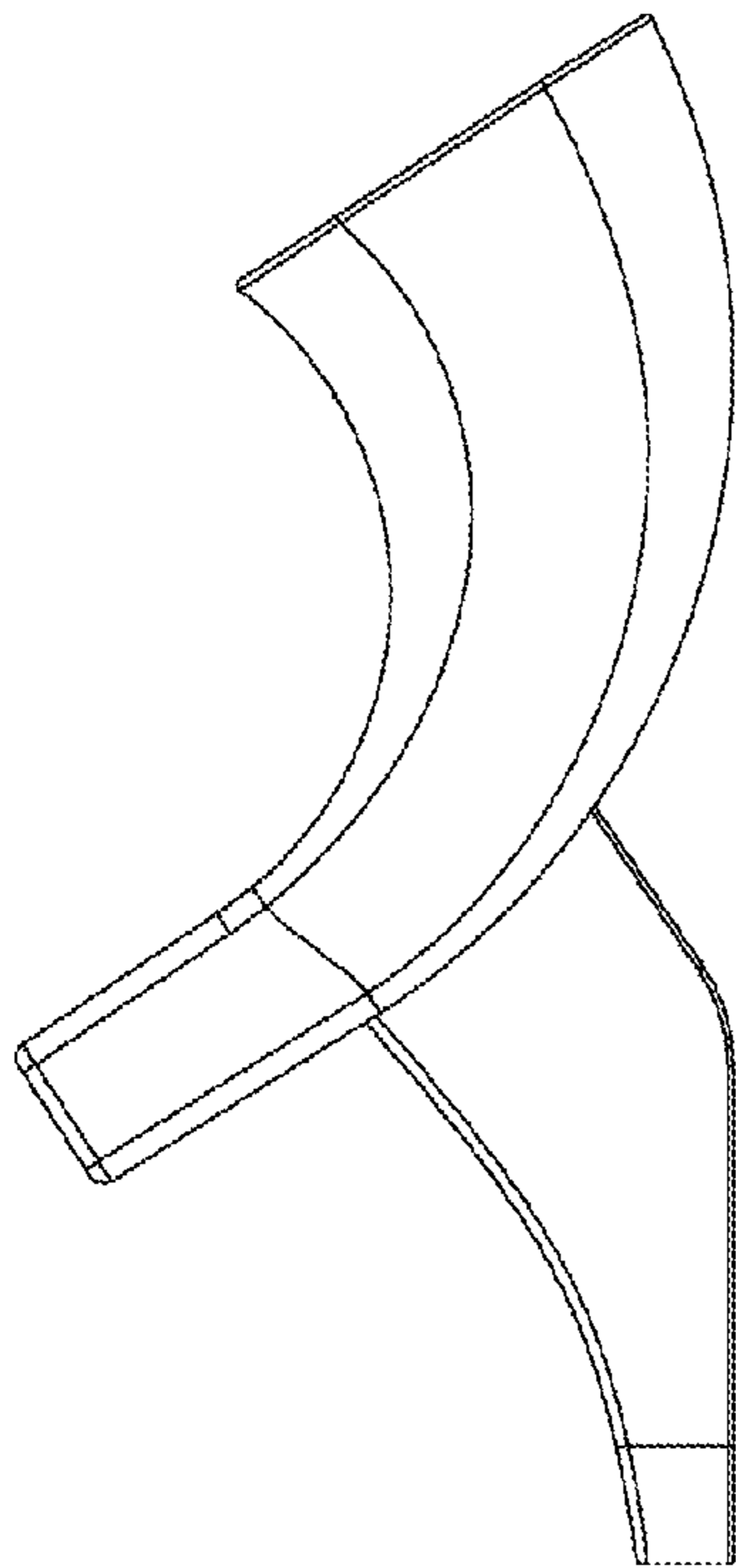


Fig. 7

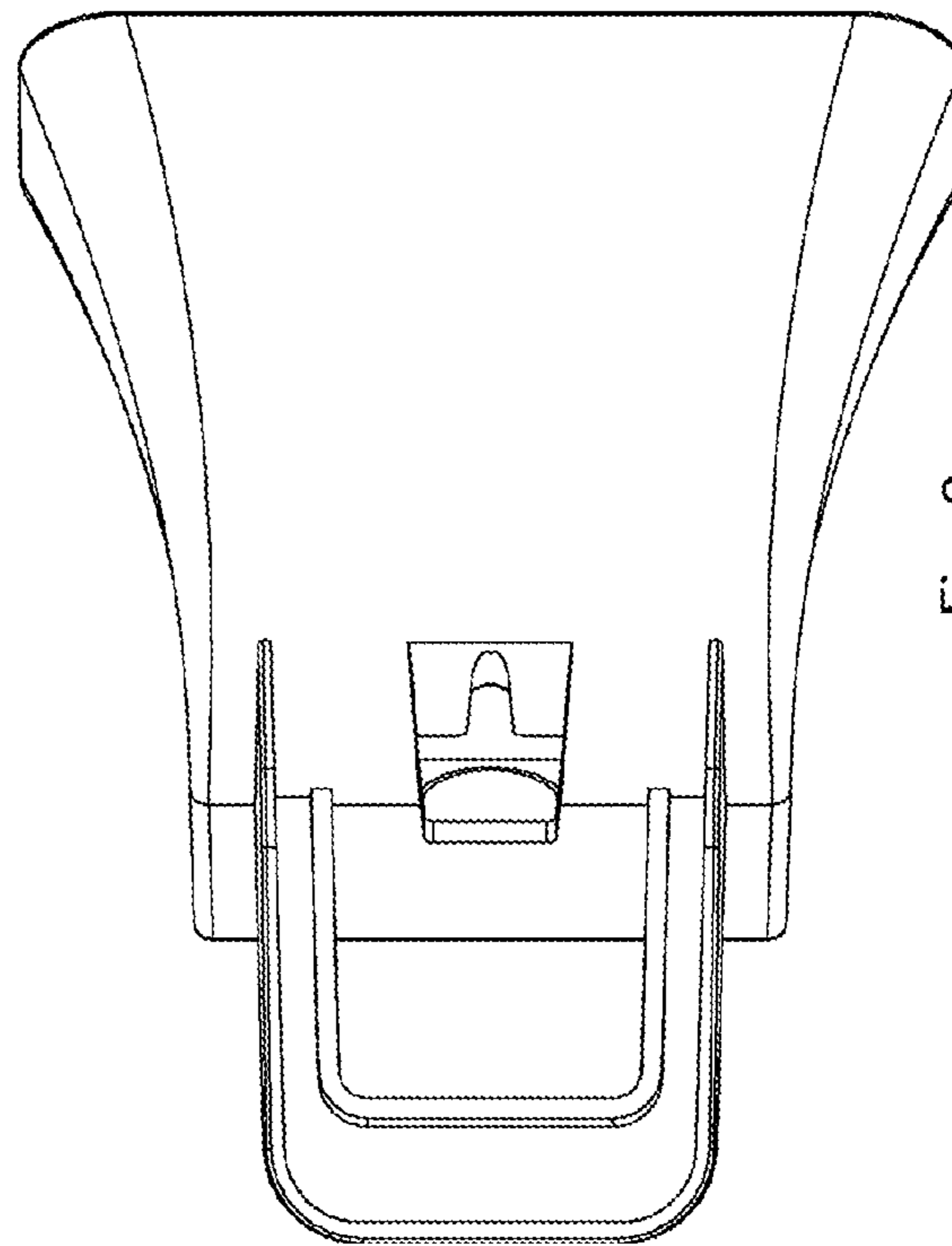


Fig. 9

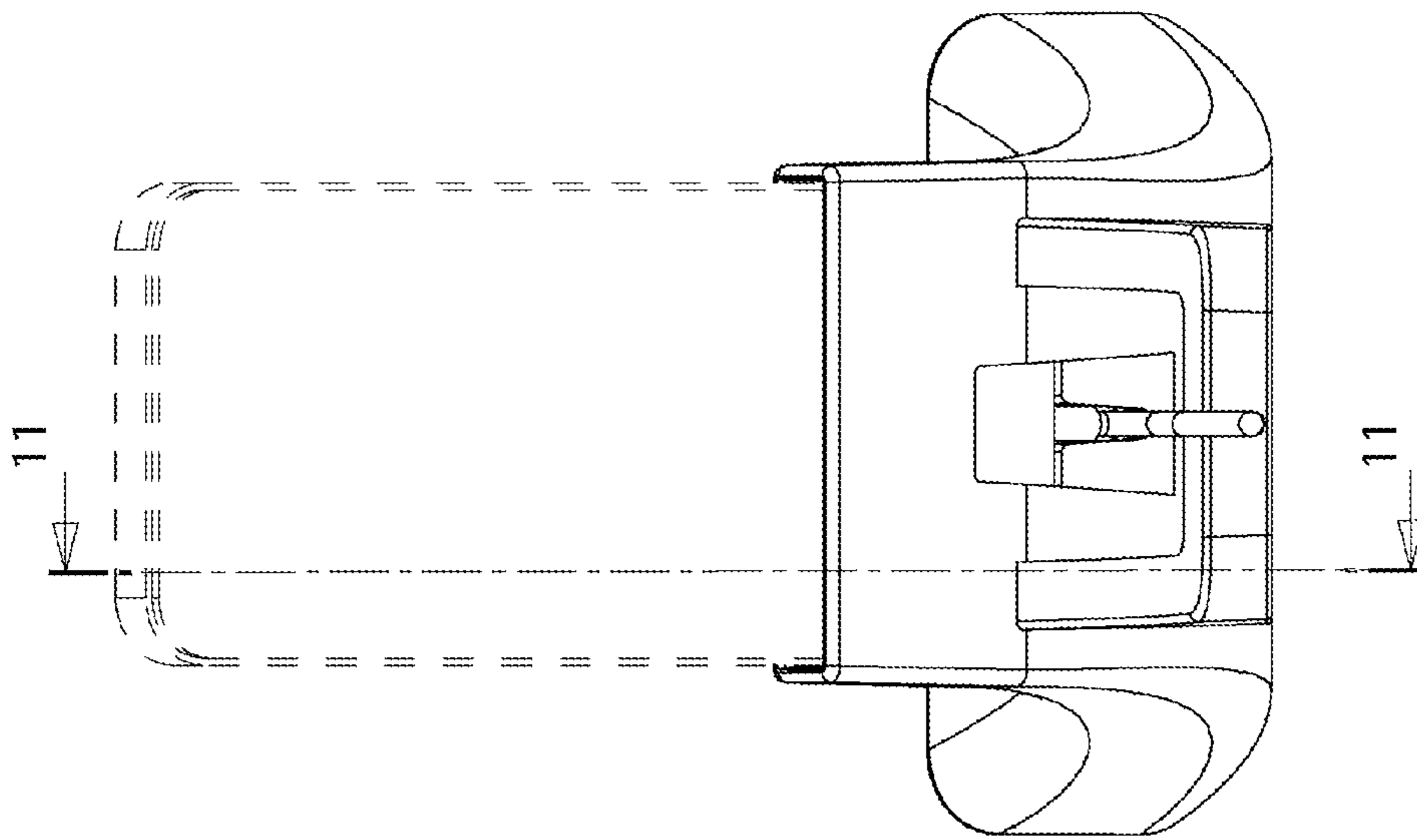


Fig. 10

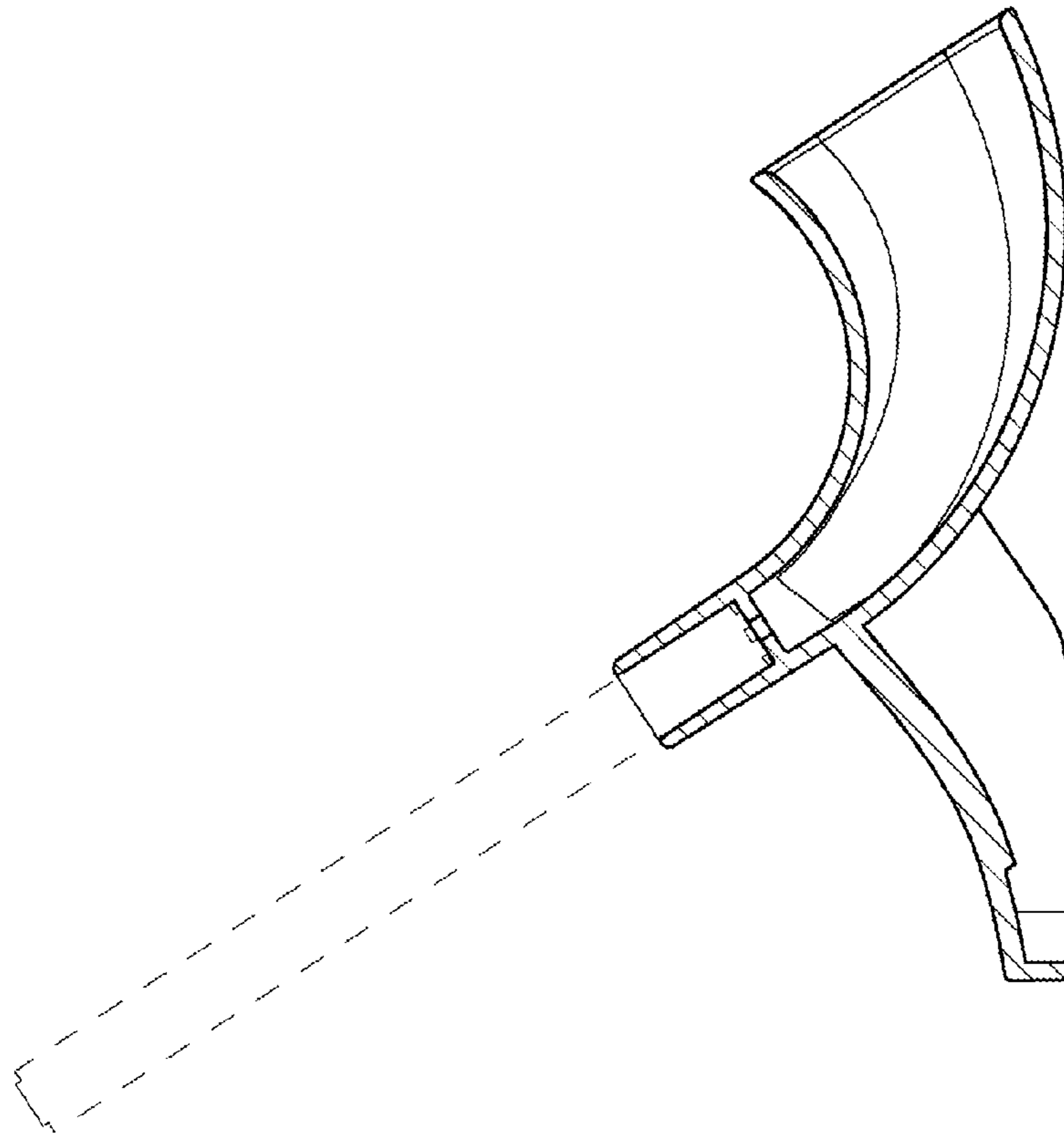


Fig. 11

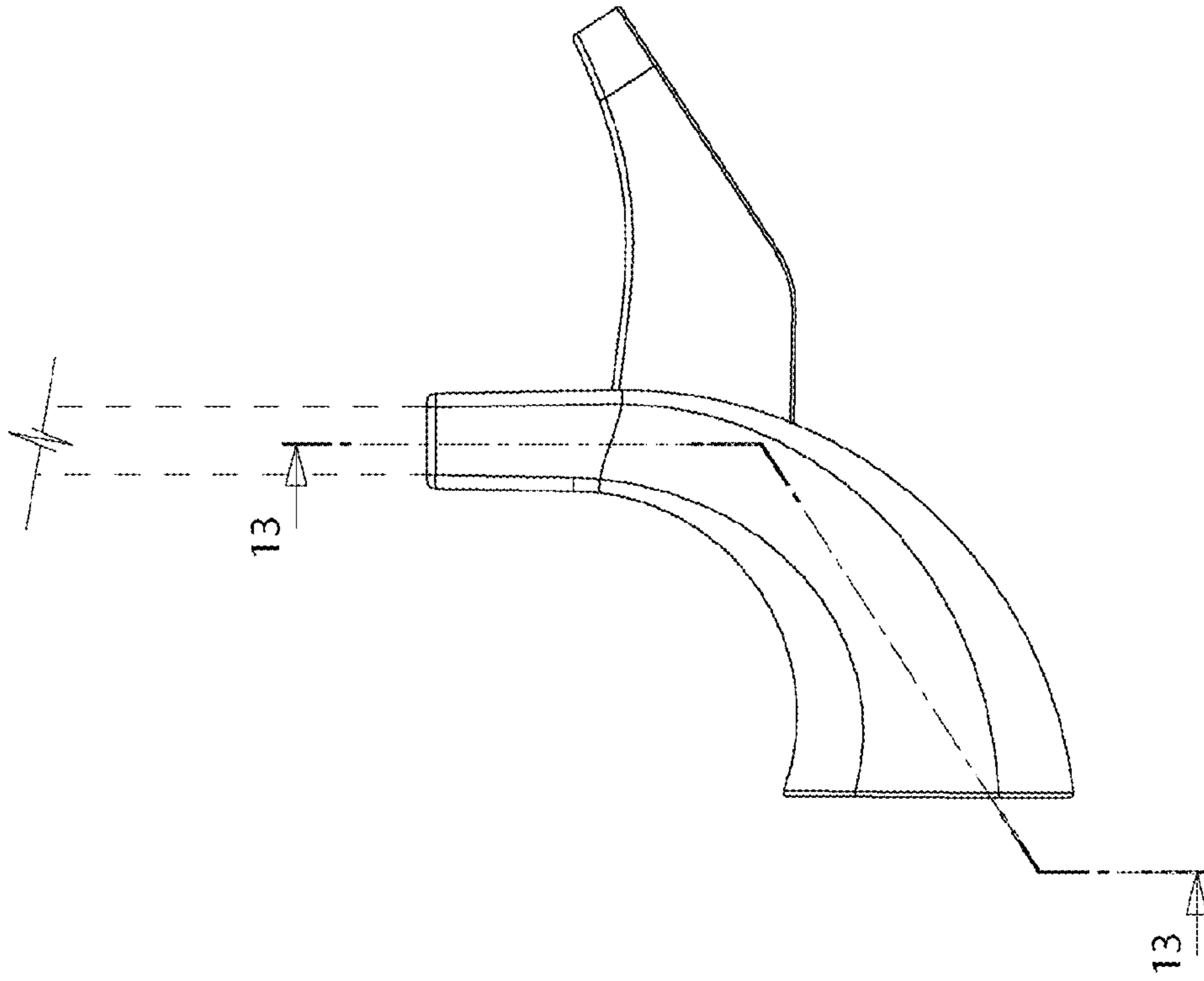


Fig. 12

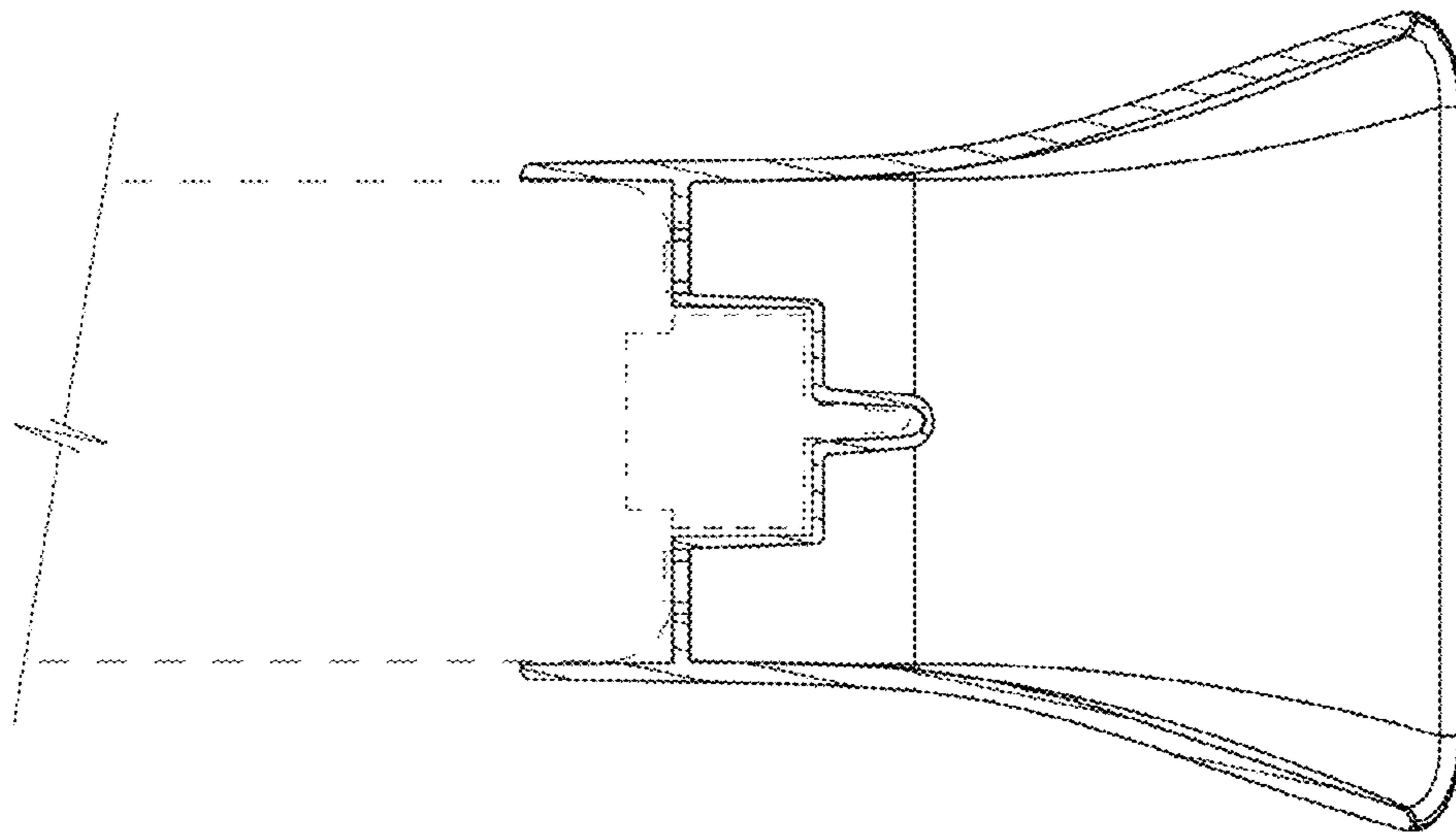


Fig. 13