



US00D711362S

(12) **United States Design Patent**  
**Poon**

(10) **Patent No.:** **US D711,362 S**

(45) **Date of Patent:** **\*\* Aug. 19, 2014**

(54) **CASE FOR A PHONE**

(71) Applicant: **Daniel Poon**, Nashville, TN (US)

(72) Inventor: **Daniel Poon**, Nashville, TN (US)

(73) Assignee: **Griffin Technology, Inc.**, Nashville, TN (US)

(\*\*) Term: **14 Years**

(21) Appl. No.: **29/444,472**

(22) Filed: **Jan. 31, 2013**

(51) **LOC (10) Cl.** ..... **14-03**

(52) **U.S. Cl.**  
USPC ..... **D14/250**

(58) **Field of Classification Search**  
USPC ..... D14/138 AD, 138 C, 138 G, 203.7, 230,  
D14/238.1, 240, 247, 248, 250, 253, 341,  
D14/345, 346, 439, 440, 447, 496;  
D13/103, 107, 108, 119; D3/201, 218,  
D3/247, 269, 273, 301, 303; 206/320;  
455/575.1, 575.8; 379/426, 433.11,  
379/455

See application file for complete search history.

(56) **References Cited**

**U.S. PATENT DOCUMENTS**

D624,067 S \* 9/2010 Peng ..... D14/315  
D624,068 S \* 9/2010 Peng et al. .... D14/315  
D624,069 S \* 9/2010 Peng et al. .... D14/324  
D638,828 S \* 5/2011 Melanson et al. .... D14/250

D650,376 S \* 12/2011 Wibby et al. .... D14/250  
D651,204 S \* 12/2011 Wibby et al. .... D14/250  
D681,020 S \* 4/2013 Magness et al. .... D14/238.1  
D681,613 S \* 5/2013 Magness et al. .... D14/238.1  
D681,623 S \* 5/2013 Chang et al. .... D14/250  
D684,568 S \* 6/2013 Fitzgerald et al. .... D14/250  
D698,343 S \* 1/2014 Chang et al. .... D14/250

\* cited by examiner

*Primary Examiner* — Thomas Johannes

*Assistant Examiner* — Chelsea Sealey

(74) *Attorney, Agent, or Firm* — Hornkohl Intellectual Property Law, PLLC; Jason L. Hornkohl

(57) **CLAIM**

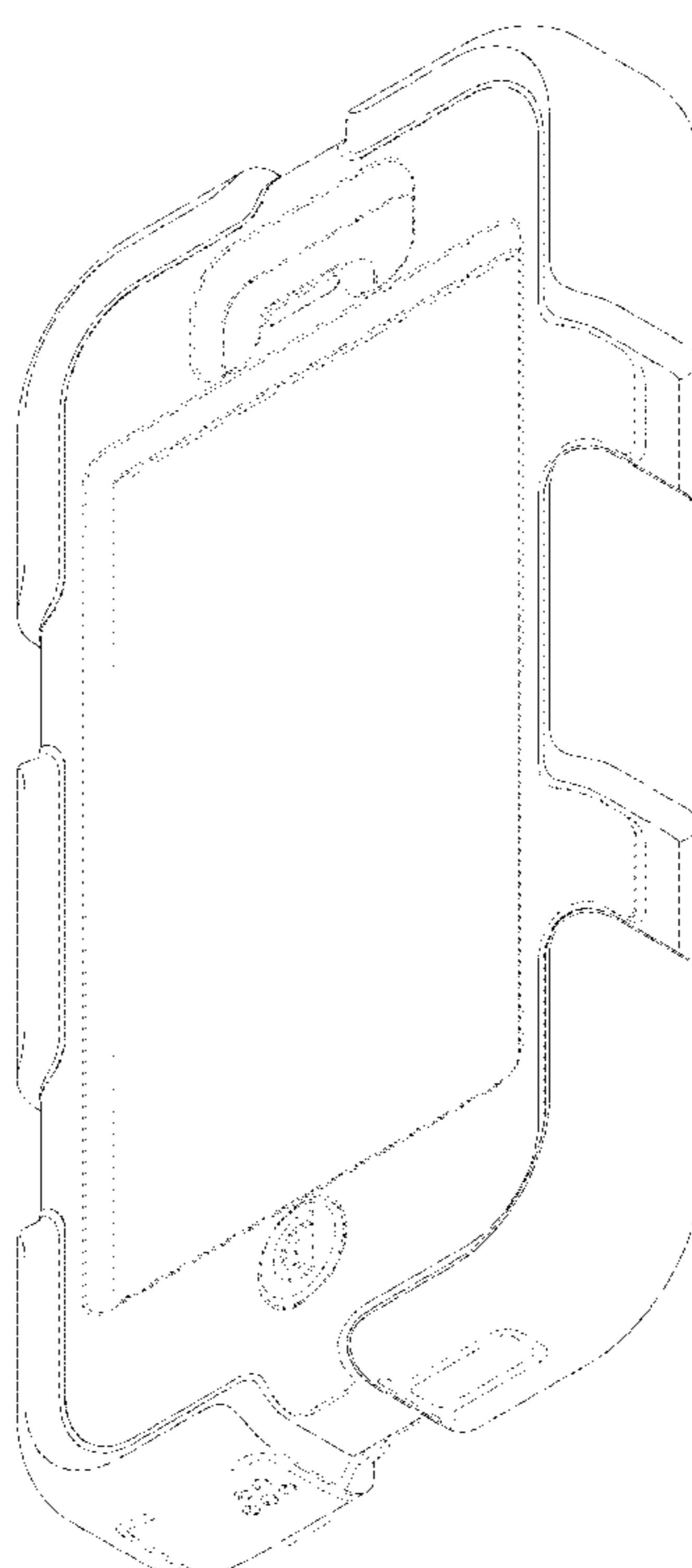
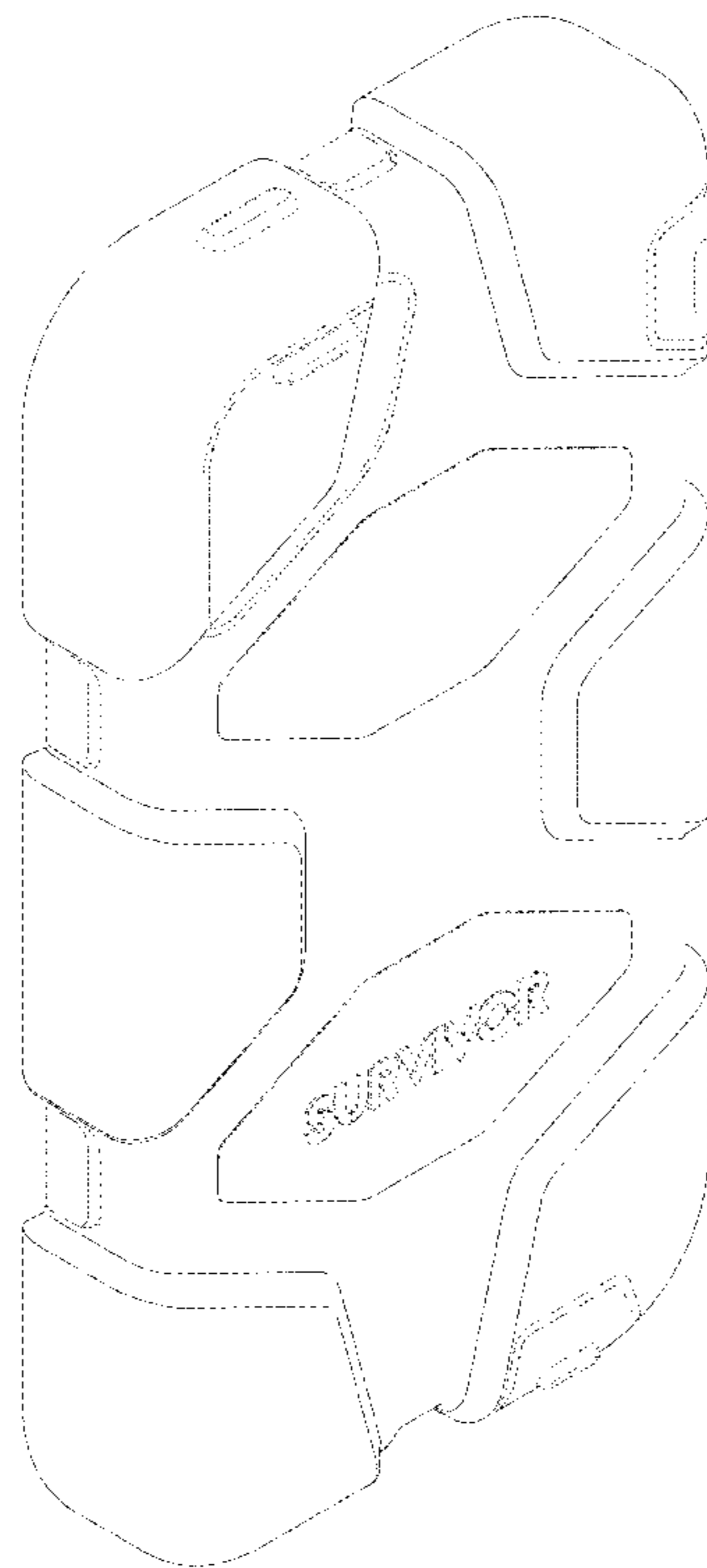
The ornamental design for a case for a phone, as shown and described.

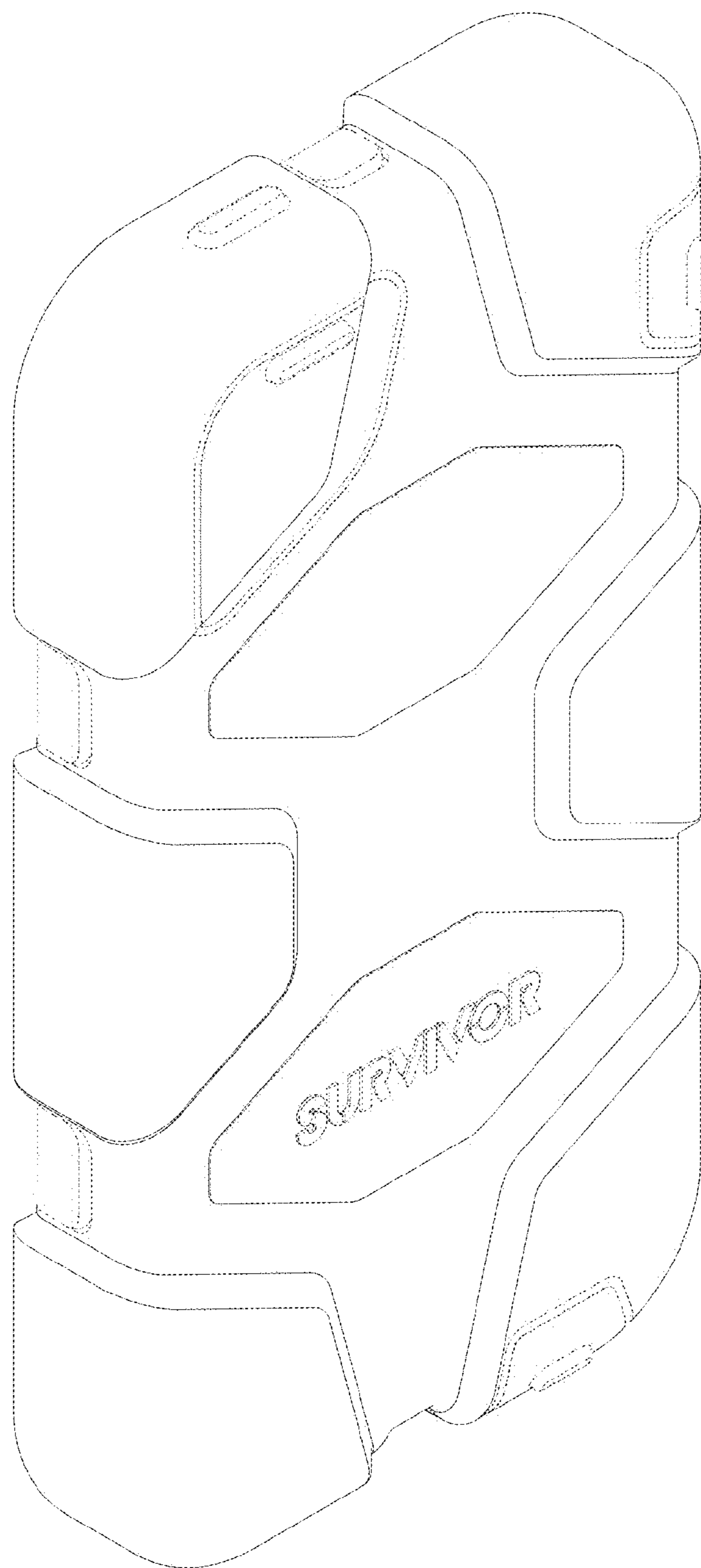
**DESCRIPTION**

FIG. 1 is a back isometric view of a case for a phone, showing my new design;  
FIG. 2 is a back view thereof;  
FIG. 3 is a right side view thereof;  
FIG. 4 is a front view thereof;  
FIG. 5 is a top view thereof;  
FIG. 6 is a bottom view thereof;  
FIG. 7 is a left side view thereof; and,  
FIG. 8 is a front isometric view thereof.

The broken dashed lines indicate unclaimed portions of the article that form no part of the claimed design.

**1 Claim, 7 Drawing Sheets**





*FIG. 1*

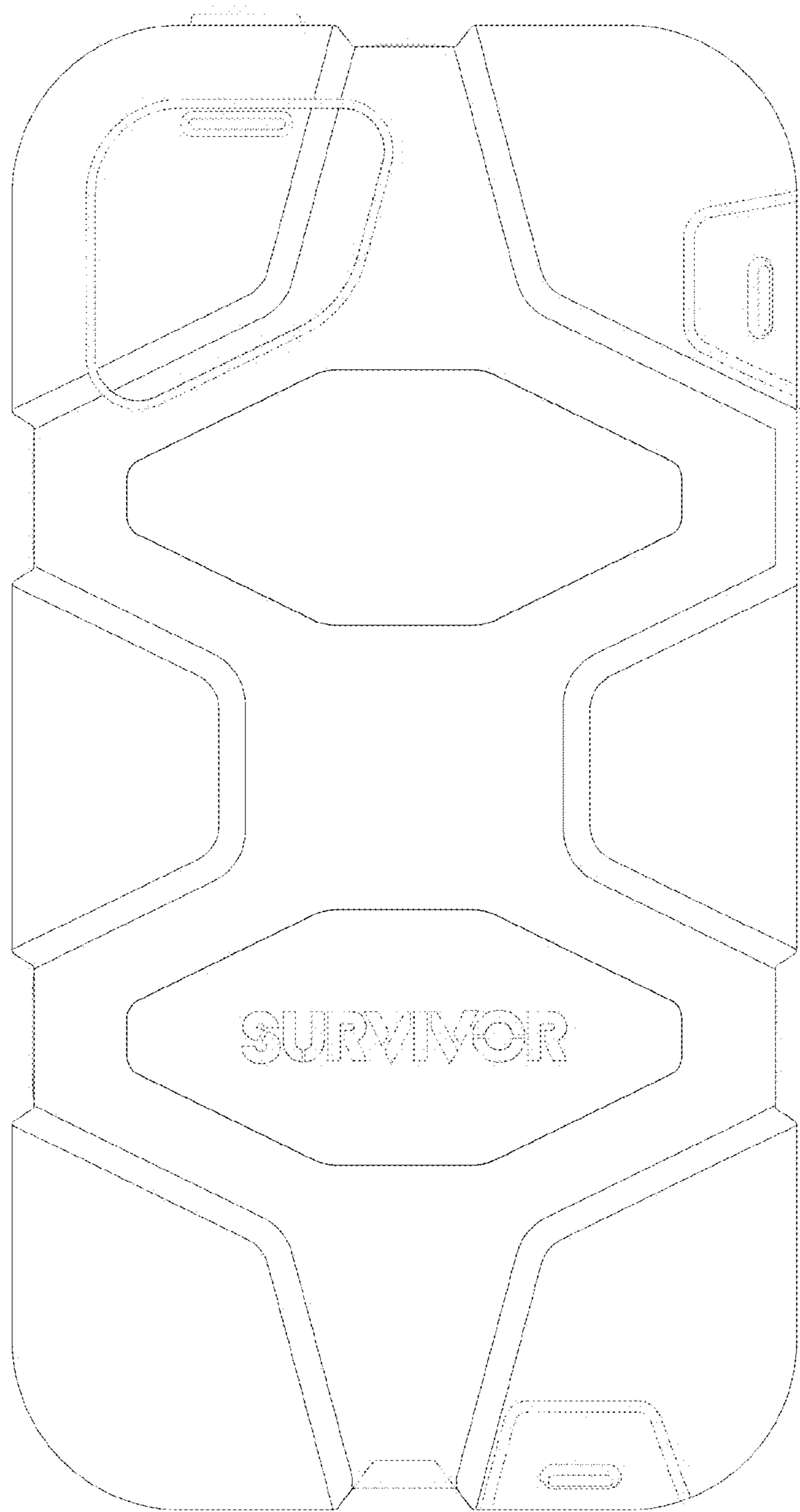
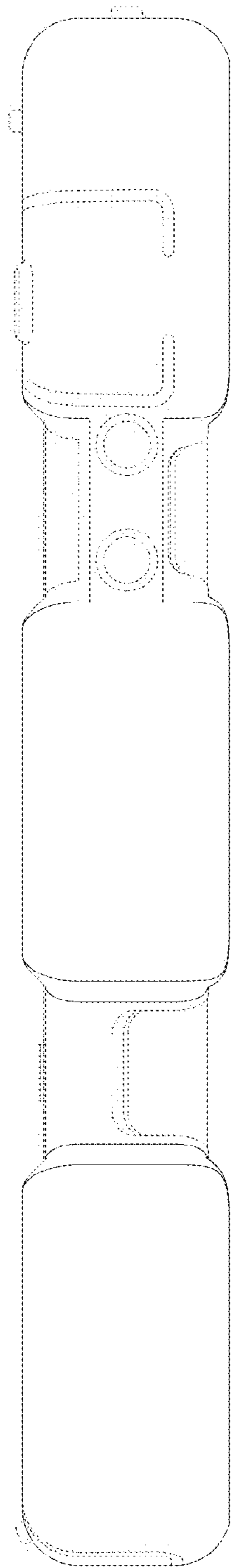


FIG. 2



*FIG. 3*

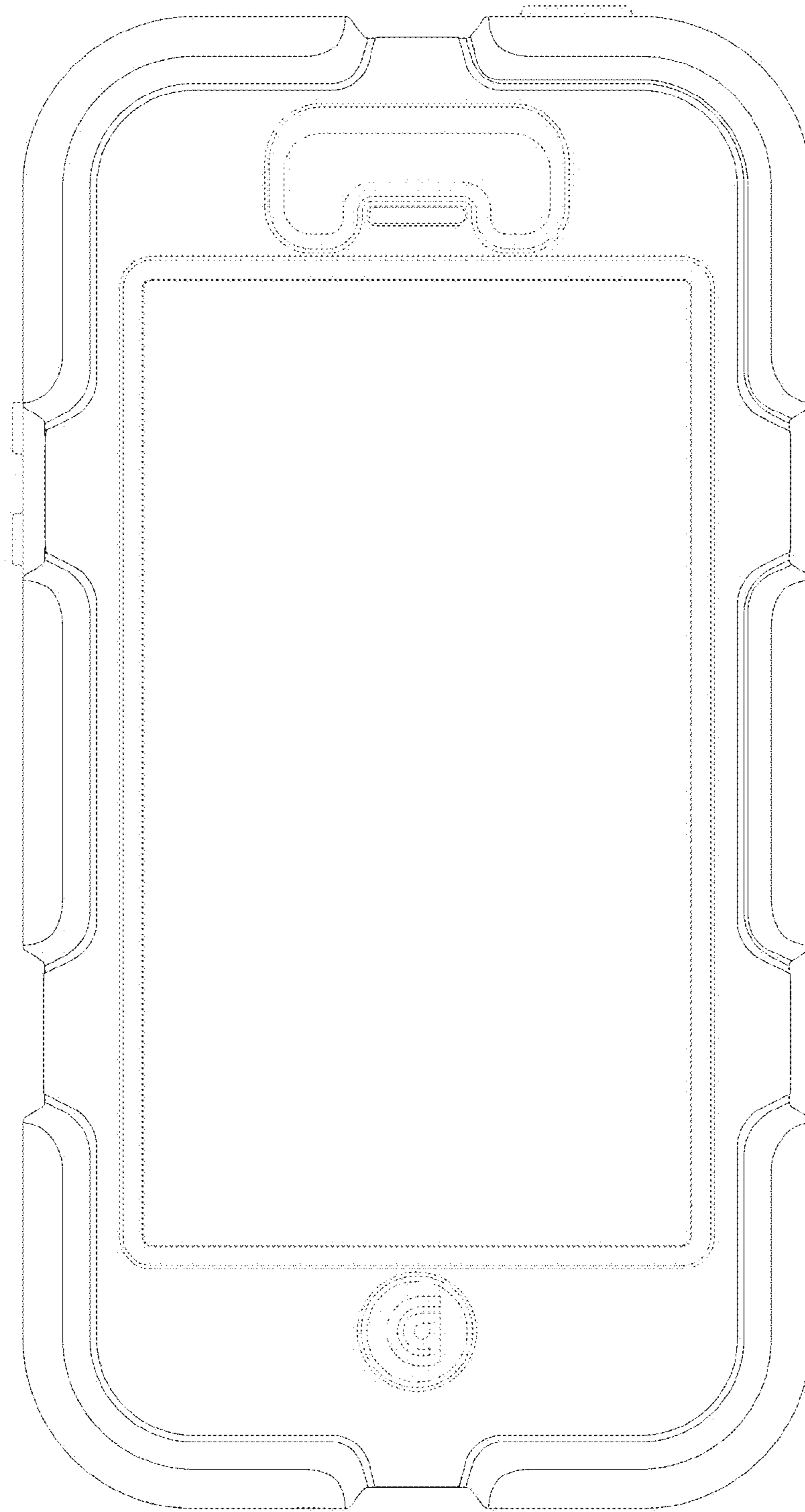
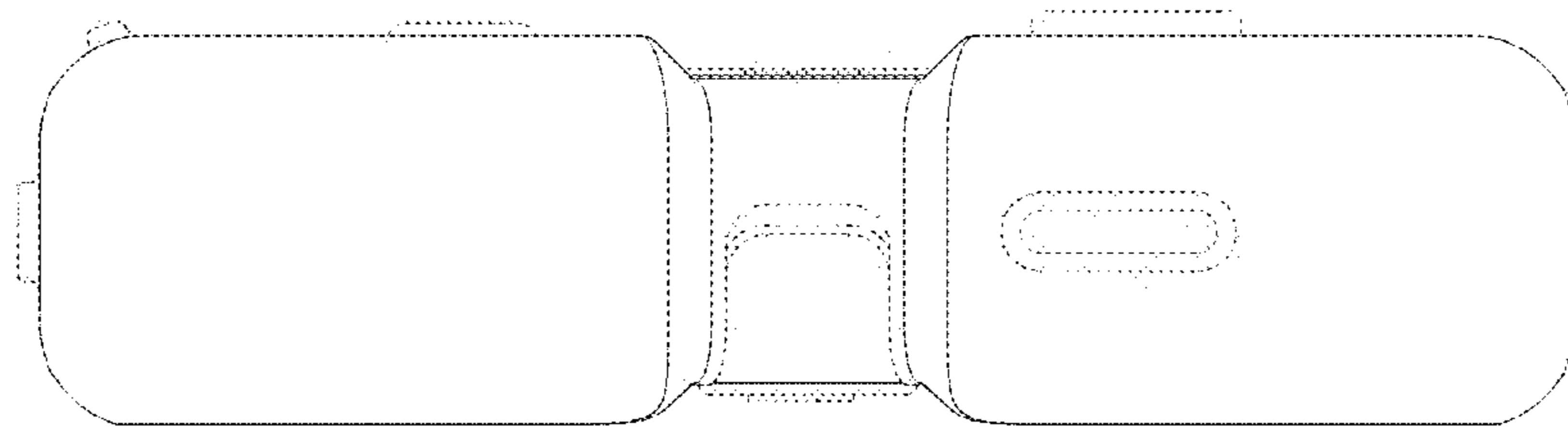
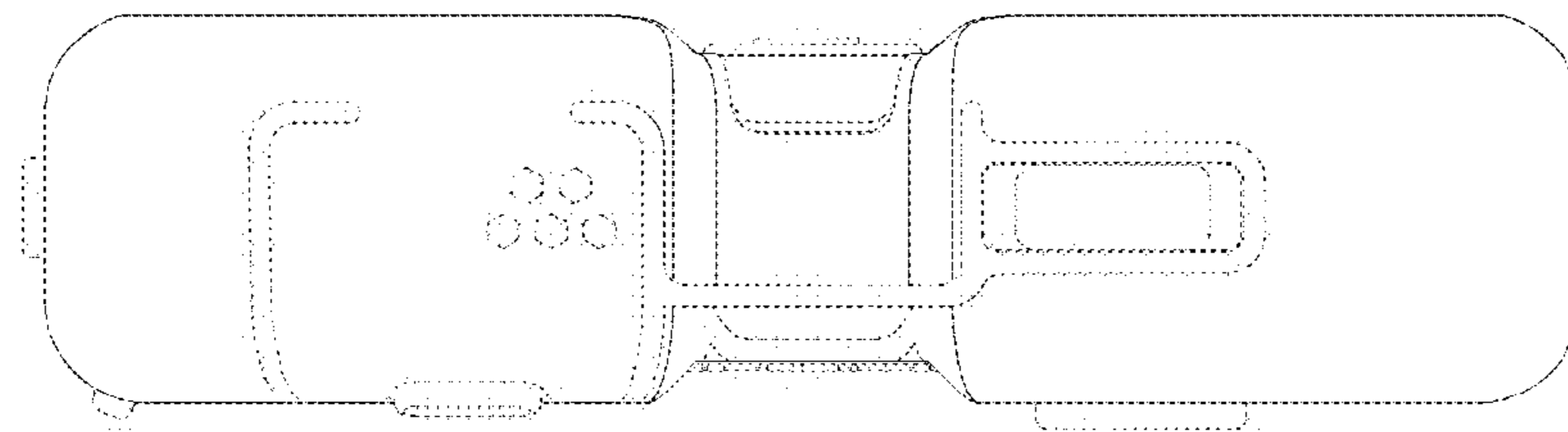


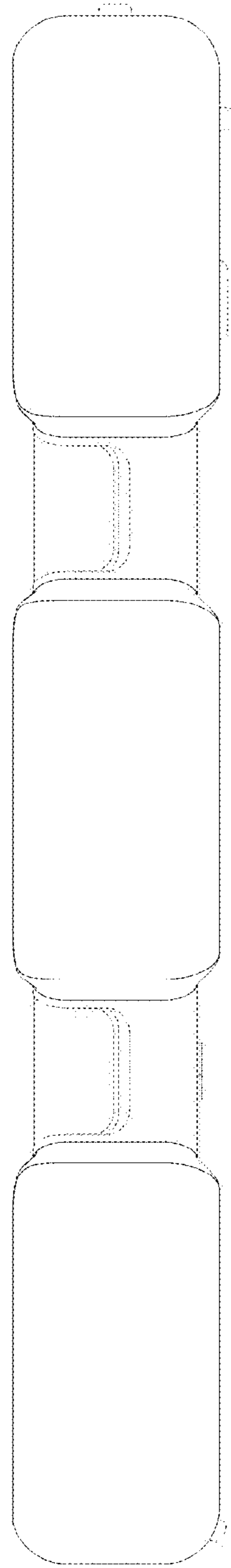
FIG. 4



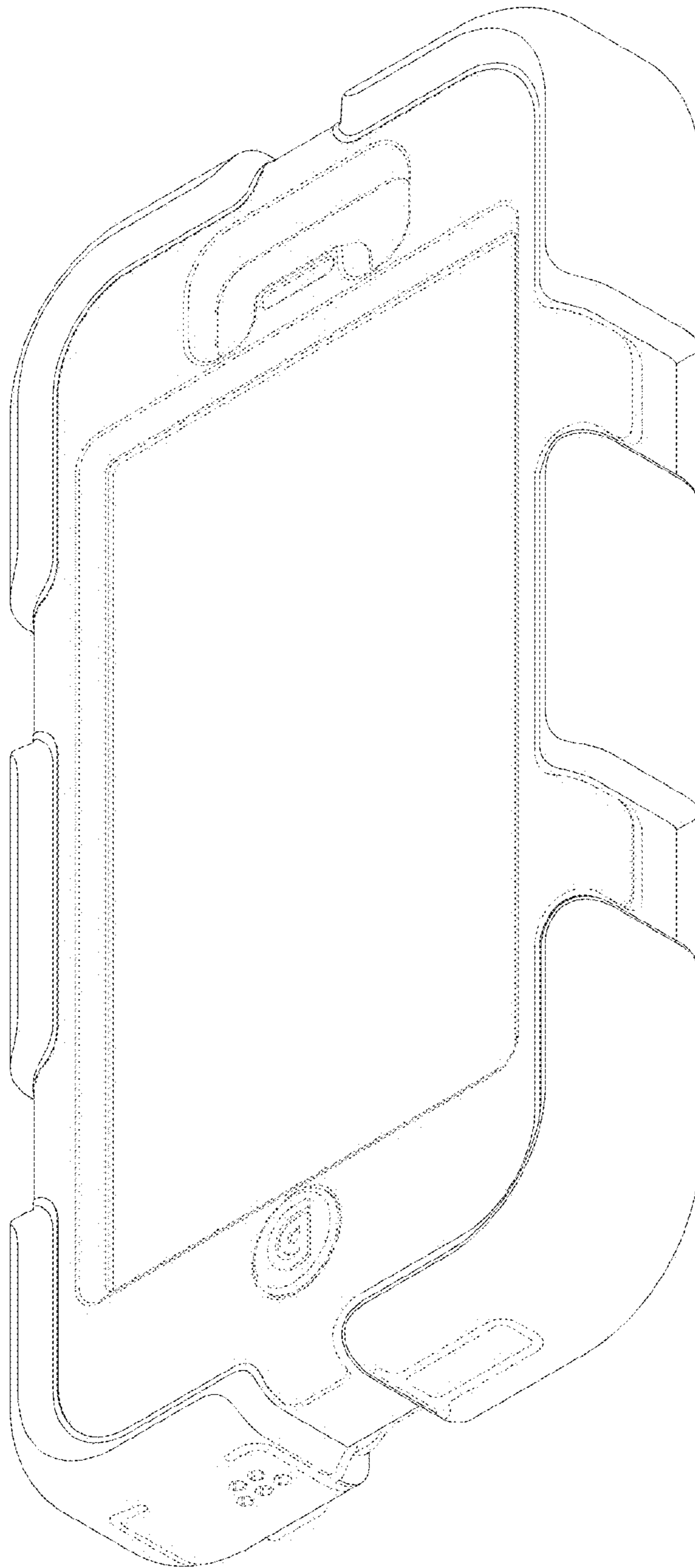
*FIG. 5*



*FIG. 6*



*FIG. 7*



*FIG. 8*