



US00D711357S

(12) **United States Design Patent**  
**McDonnell**

(10) **Patent No.:** **US D711,357 S**

(45) **Date of Patent:** **\*\* Aug. 19, 2014**

(54) **TELEVISION ANTENNA WITH STAND**

(71) Applicant: **Joshua M. McDonnell**, Fairfield, CT  
(US)

(72) Inventor: **Joshua M. McDonnell**, Fairfield, CT  
(US)

(73) Assignee: **Joshua M. McDonnell**, Fairfield, CT  
(US)

(\*\*) Term: **14 Years**

(21) Appl. No.: **29/457,472**

(22) Filed: **Jun. 10, 2013**

(51) **LOC (10) Cl.** ..... **14-03**

(52) **U.S. Cl.**  
USPC ..... **D14/230**

(58) **Field of Classification Search**  
USPC ..... D14/138, 230–238, 299, 358; D12/42,  
D12/43; 343/700 MS, 700 R–705, 711–713,  
343/735, 736, 741, 748, 767, 795, 819, 840,  
343/846, 866, 871–908; 455/90.2, 90.3, 91,  
455/128, 269, 344, 347, 562.1; D6/310,  
D6/311  
See application file for complete search history.

(56) **References Cited**

**U.S. PATENT DOCUMENTS**

2,480,155 A \* 8/1949 Masters ..... 343/795  
D171,560 S \* 2/1954 Rutter ..... D14/230  
D179,111 S \* 11/1956 Ballan et al. .... D14/234  
3,273,158 A \* 9/1966 Fouts et al. .... 343/792

D265,706 S \* 8/1982 Heithaus ..... D6/311  
D273,744 S \* 5/1984 Castillo ..... D6/302  
6,473,044 B2 \* 10/2002 Manteuffel et al. .... 343/702  
D535,647 S \* 1/2007 Hall et al. .... D14/230  
D540,548 S \* 4/2007 Stravitz ..... D6/310  
D578,114 S \* 10/2008 Oliver ..... D14/230  
D604,276 S \* 11/2009 Schneider et al. .... D14/230  
D617,320 S \* 6/2010 Oliver ..... D14/230  
D619,568 S \* 7/2010 Kuramoto ..... D14/230  
D620,928 S \* 8/2010 Oliver ..... D14/230  
8,047,445 B2 \* 11/2011 Kato et al. .... 235/492  
8,448,874 B2 \* 5/2013 Koskelainen ..... 235/492  
D685,772 S \* 7/2013 Zheng et al. .... D14/230  
8,582,307 B2 \* 11/2013 Yu et al. .... 361/737  
2006/0077115 A1 \* 4/2006 Oh et al. .... 343/895

\* cited by examiner

*Primary Examiner* — John Windmuller

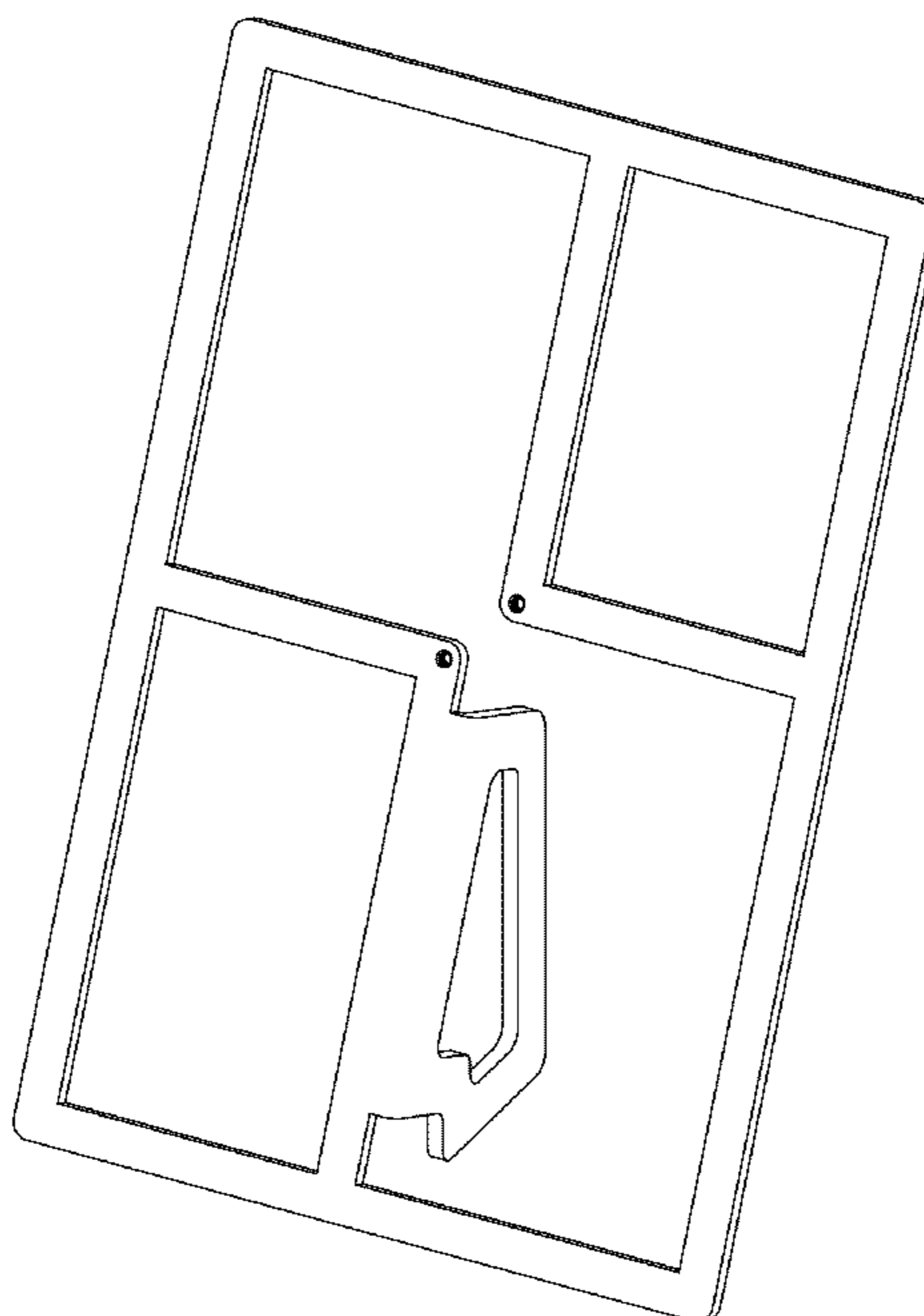
(57) **CLAIM**

The ornamental design for a television antenna with stand, as shown and described.

**DESCRIPTION**

FIG. 1 is a front perspective view of a television antenna with stand showing my new design;  
FIG. 2 is a rear perspective view thereof;  
FIG. 3 is a side elevation view thereof, the opposite side elevation view being a mirror image thereof;  
FIG. 4 is a top plan view thereof;  
FIG. 5 is a bottom plan view thereof;  
FIG. 6 is a rear, side perspective view thereof;  
FIG. 7 is a front, side perspective view thereof; and,  
FIG. 8 is a front elevation view thereof, shown with the stand in a flattened position.

**1 Claim, 7 Drawing Sheets**



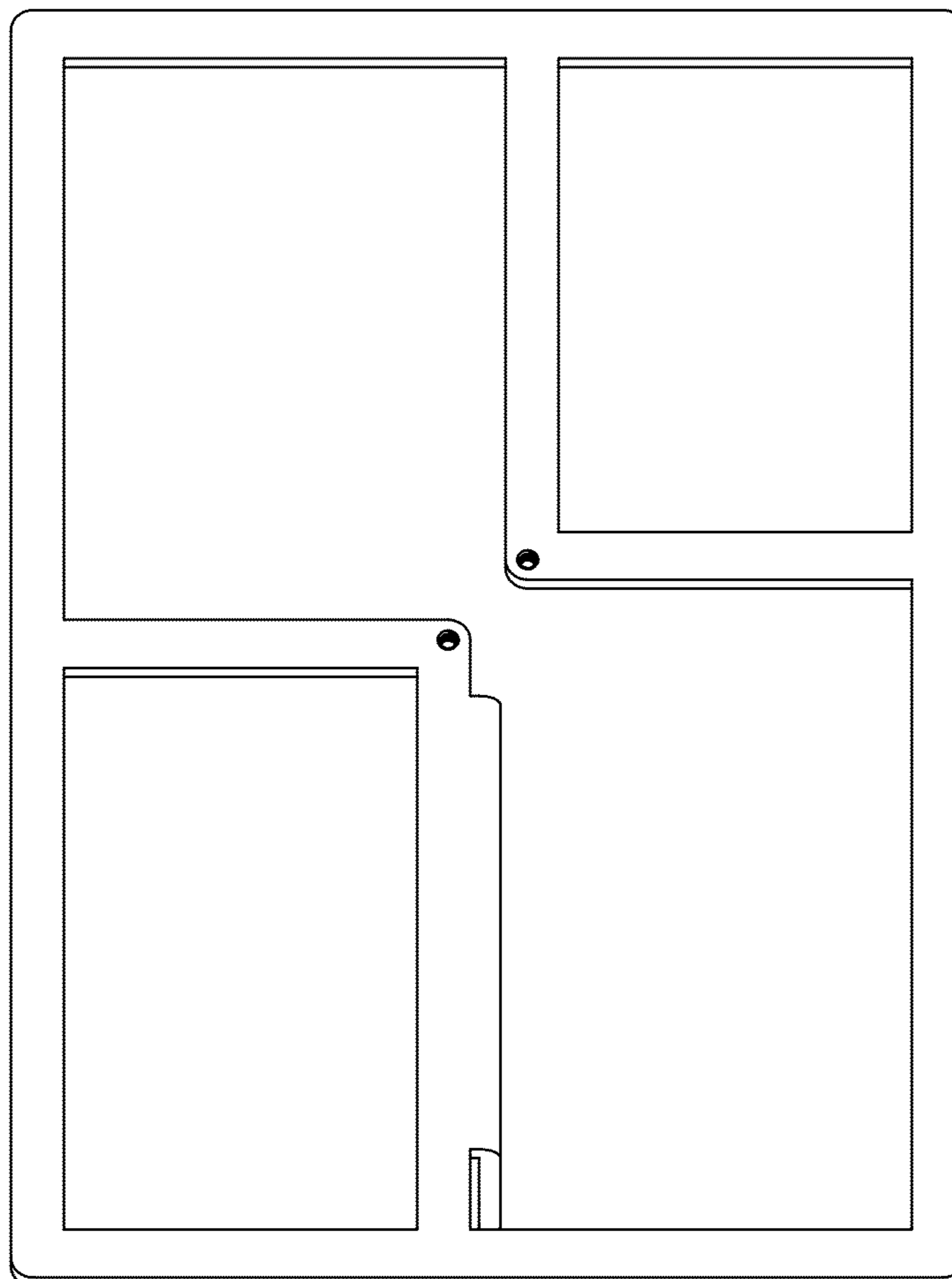


FIG. 1

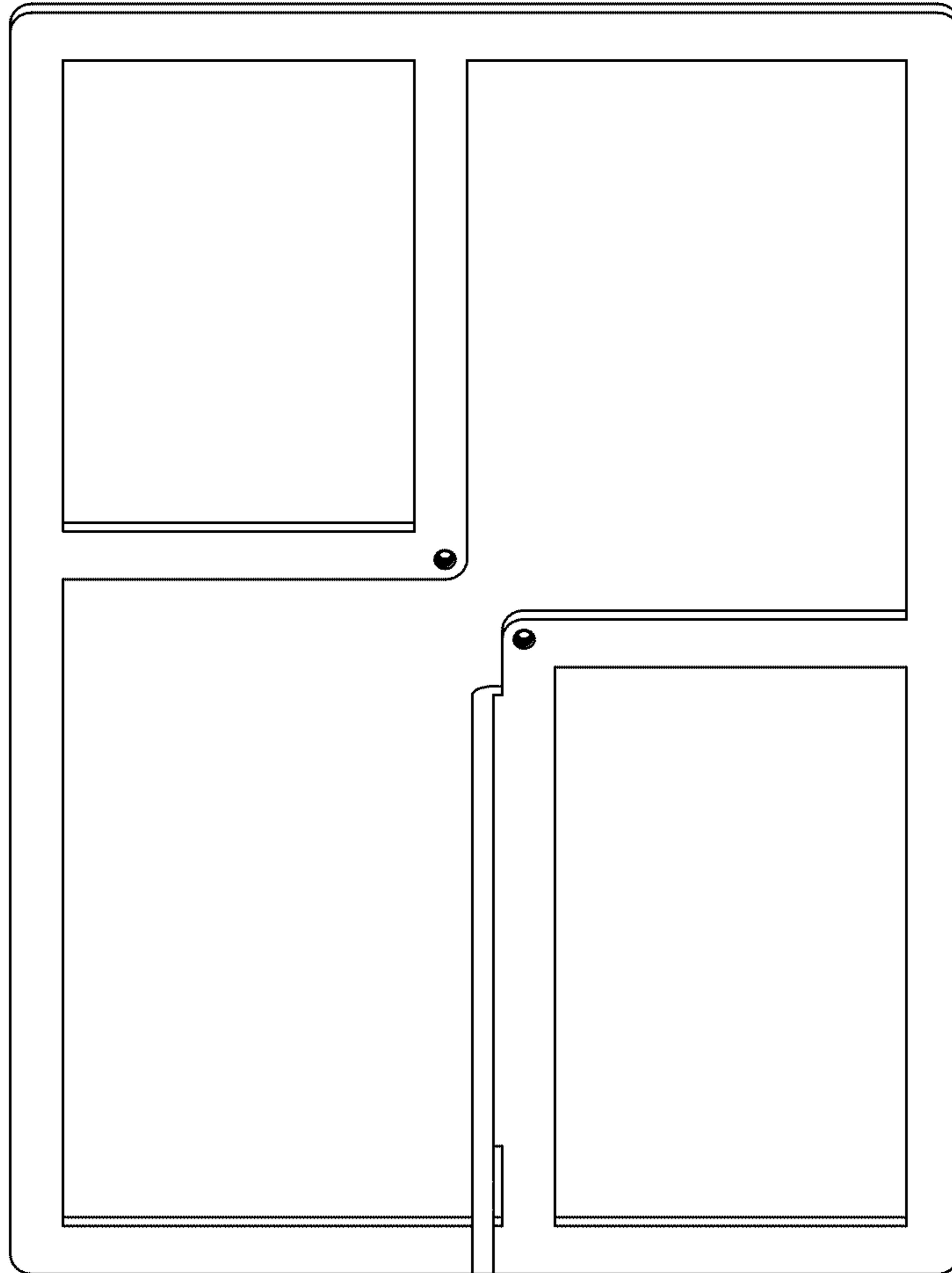


FIG. 2

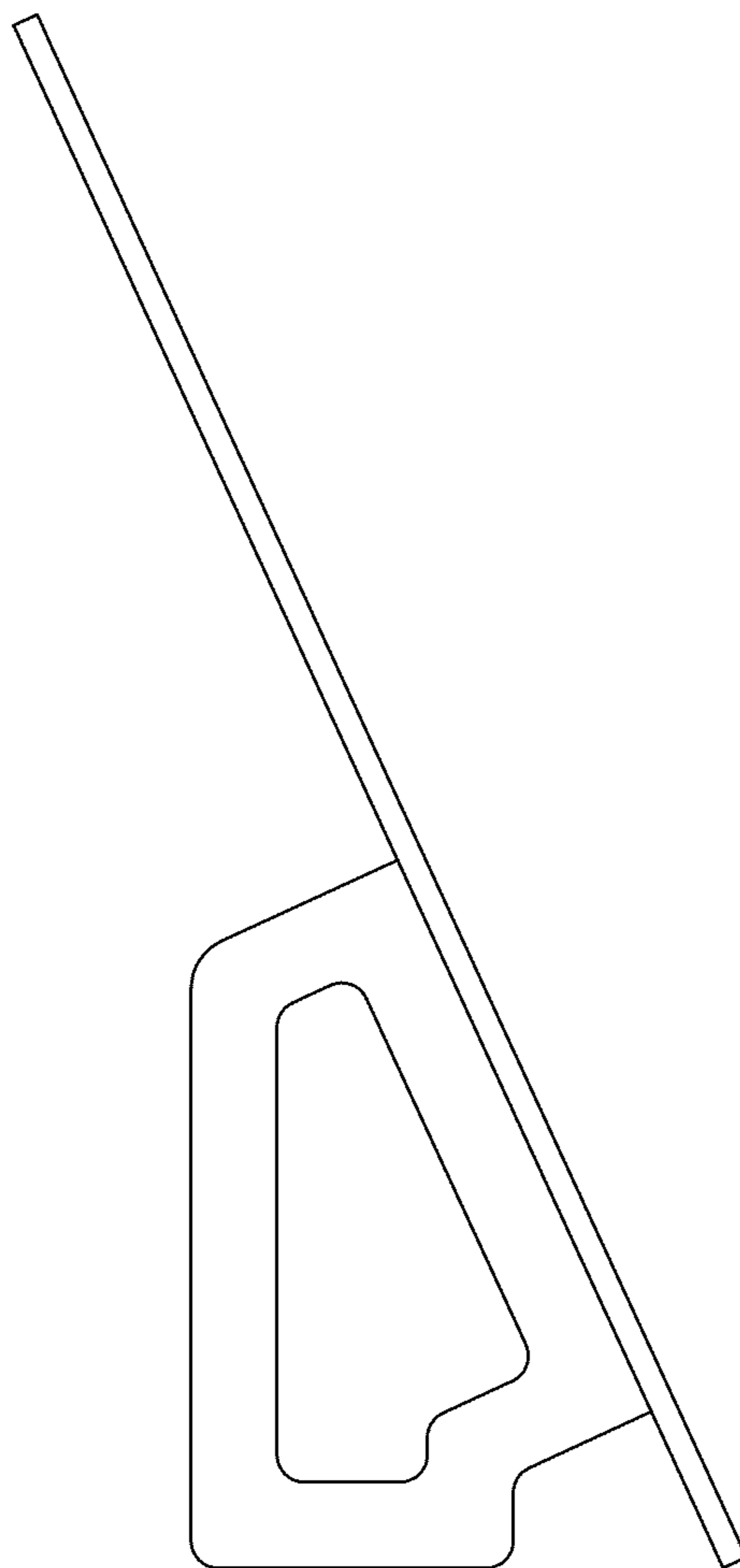


FIG. 3

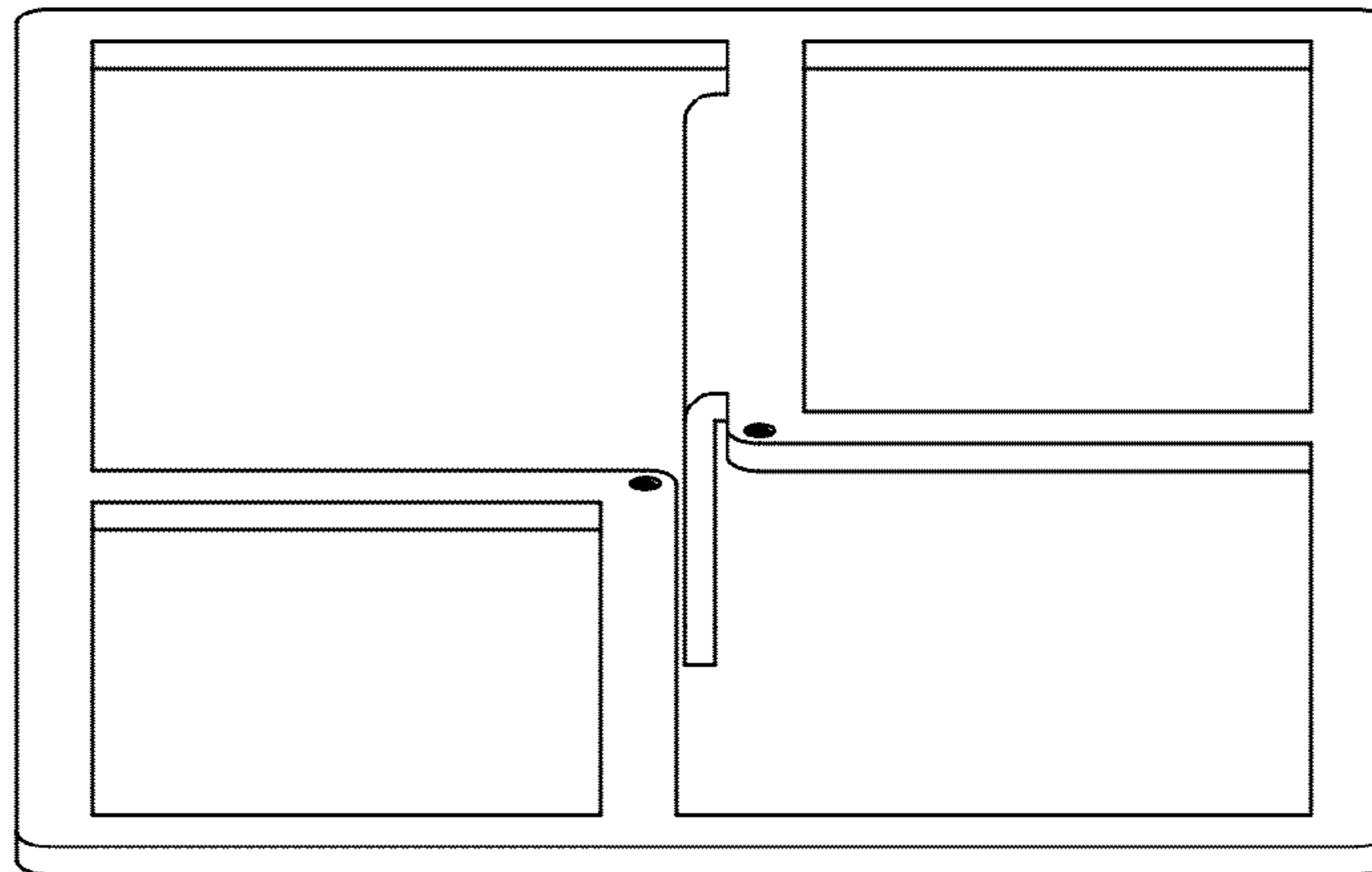


FIG. 4

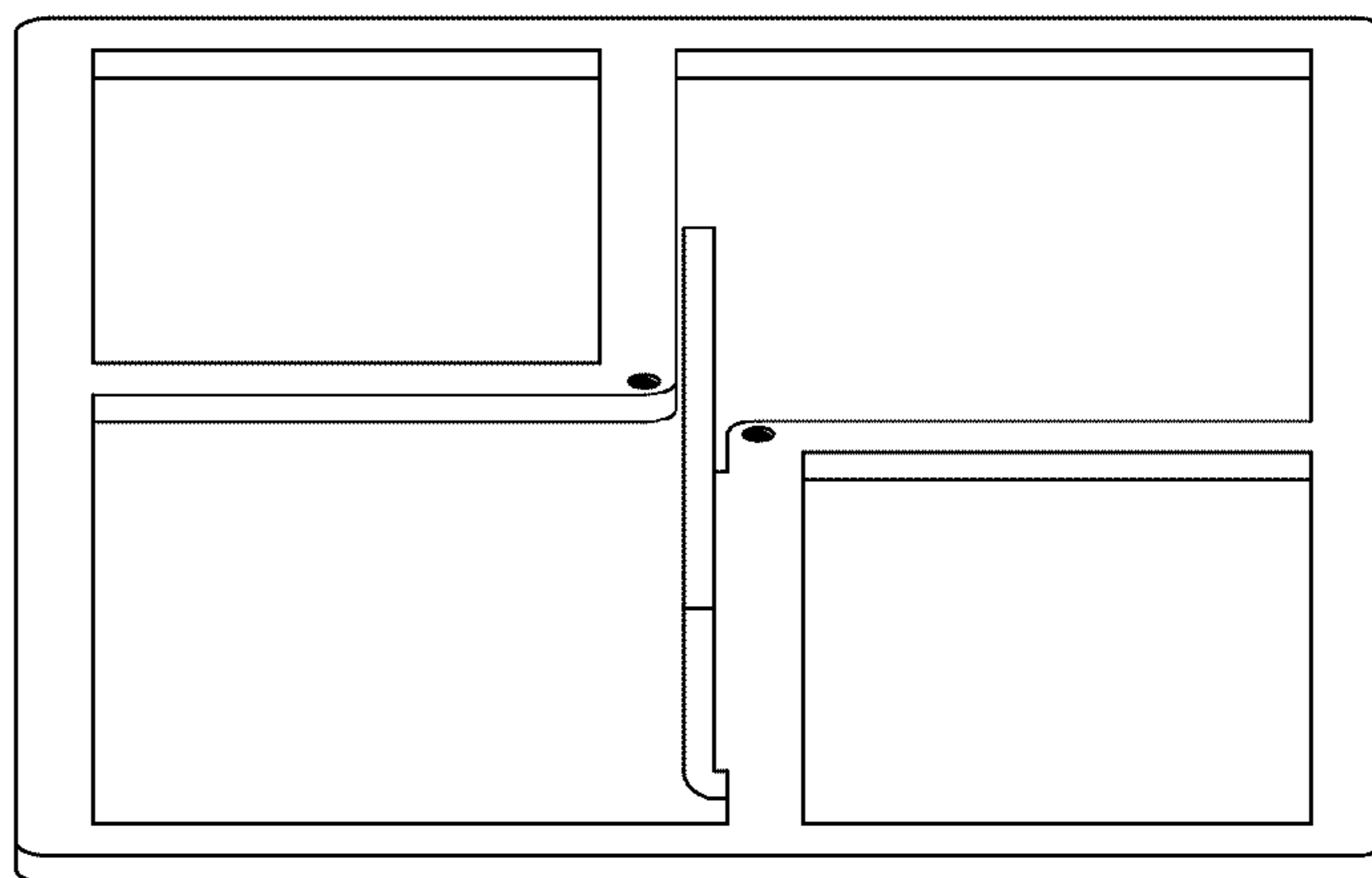


FIG. 5

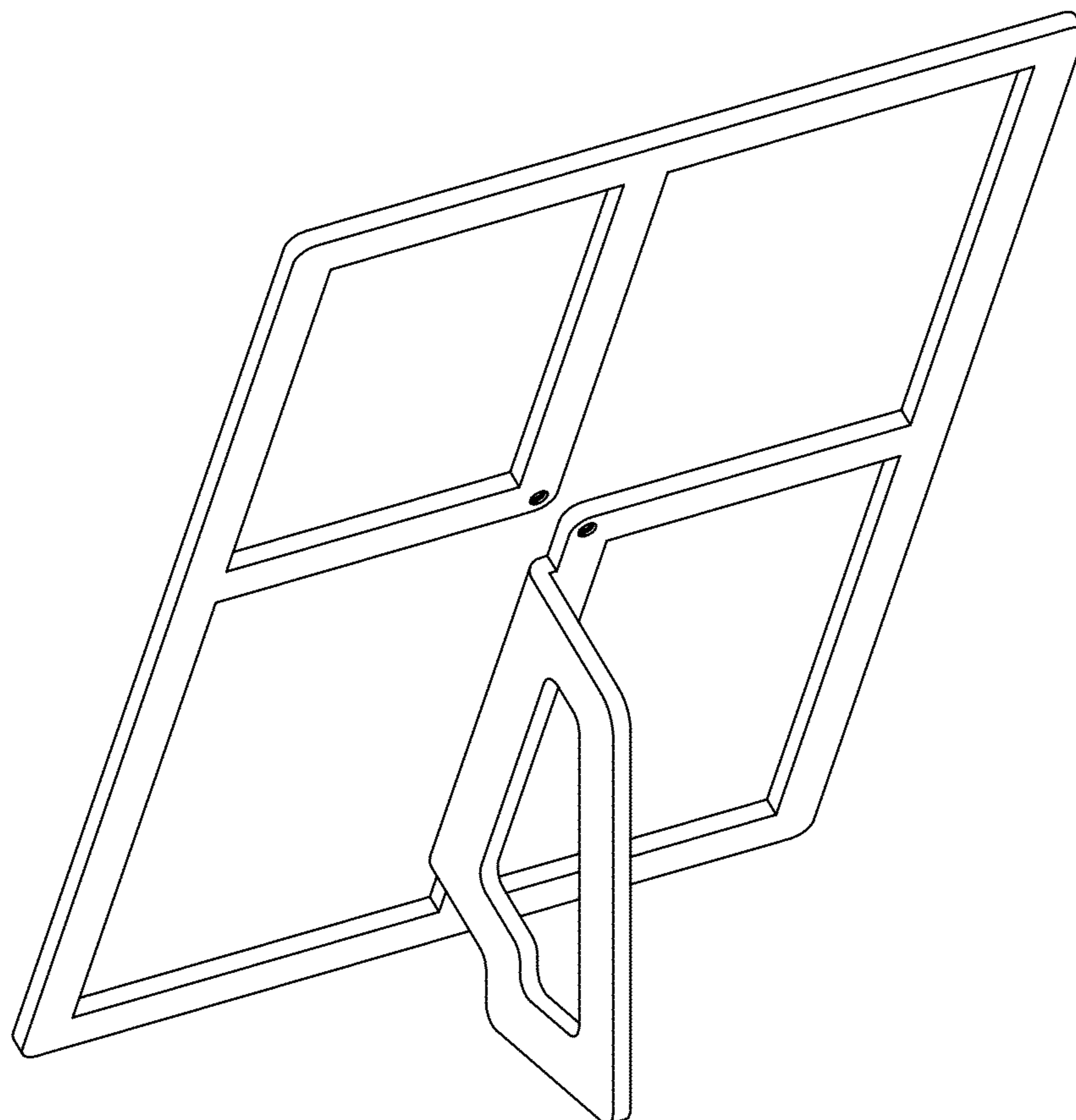


FIG. 6

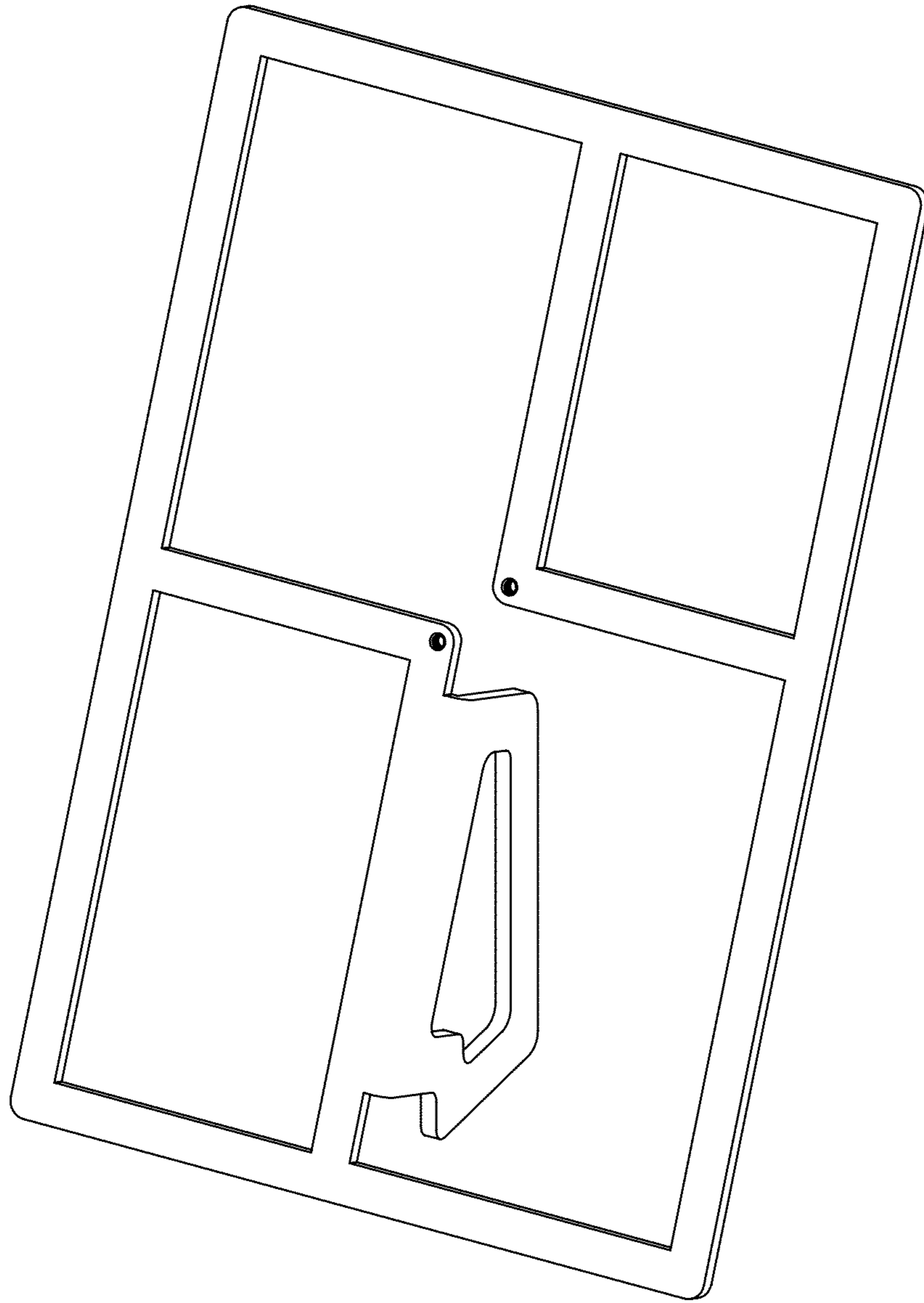


FIG. 7

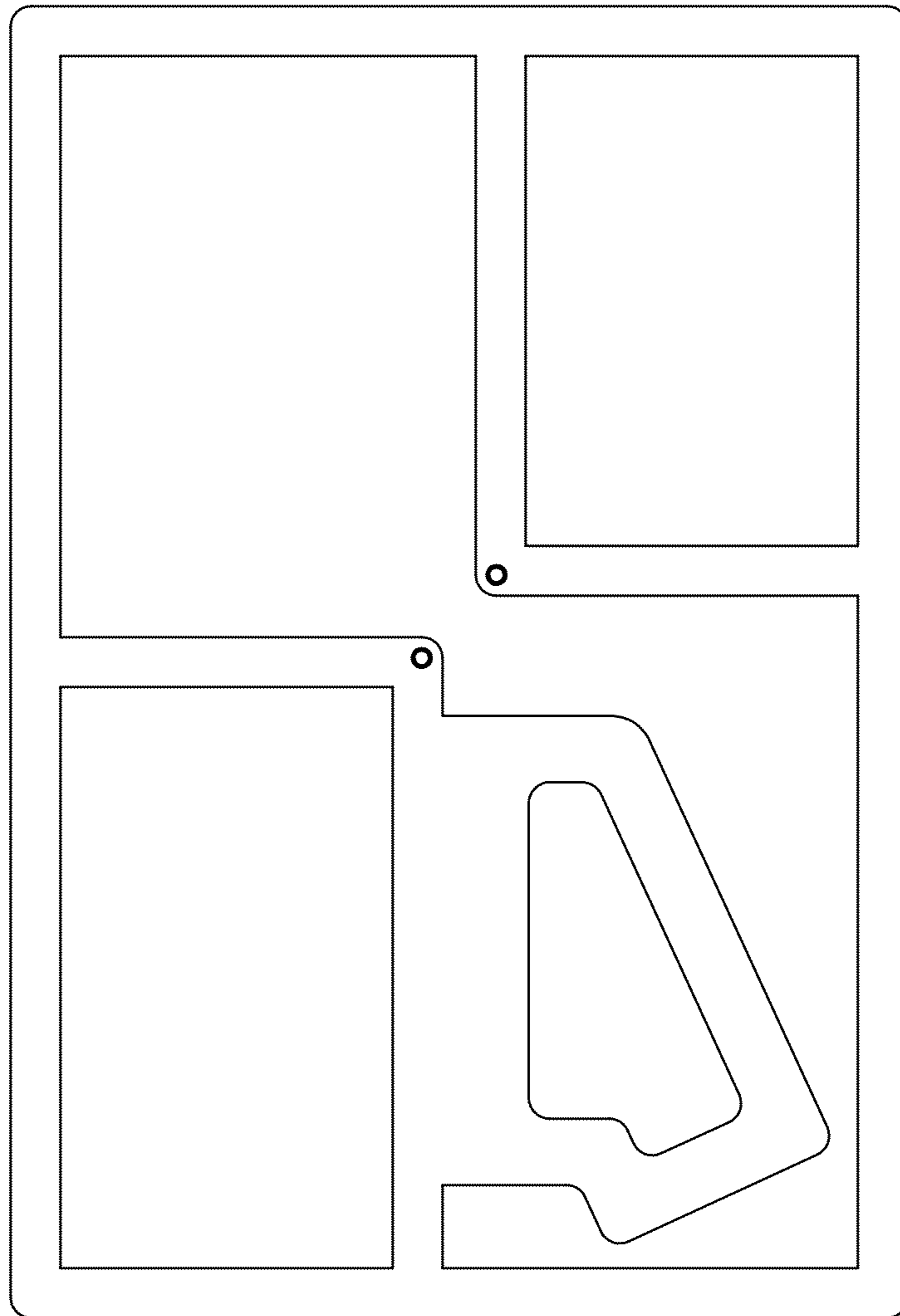


FIG. 8