



US00D711356S

(12) **United States Design Patent**  
**Yang**

(10) **Patent No.:** **US D711,356 S**  
(45) **Date of Patent:** **\*\* Aug. 19, 2014**

- (54) **EARPHONE**
- (71) Applicant: **Bill Yang**, Taipei (TW)
- (72) Inventor: **Bill Yang**, Taipei (TW)
- (73) Assignee: **Cotron Corporation**, Taipei (TW)
- (\*\*) Term: **14 Years**
- (21) Appl. No.: **29/462,537**
- (22) Filed: **Aug. 6, 2013**
- (51) **LOC (10) Cl.** ..... **14-01**
- (52) **U.S. Cl.**  
USPC ..... **D14/223**
- (58) **Field of Classification Search**  
CPC ..... H04R 1/10  
USPC ..... D14/223, 205; 181/129, 130, 135;  
379/430, 431; 381/380, 381, 322;  
455/90.3, 575.1  
See application file for complete search history.

D623,630 S *	9/2010	Ohori et al.	.....	D14/223
D637,999 S *	5/2011	Brunner et al.	.....	D14/205
D641,010 S *	7/2011	Kwon	.....	D14/223
D643,414 S *	8/2011	Lee et al.	.....	D14/223
D643,833 S *	8/2011	Lee et al.	.....	D14/223
D652,822 S *	1/2012	Lee et al.	.....	D14/223
8,111,861 B2 *	2/2012	Lowry	.....	381/380
D666,581 S *	9/2012	Perez	.....	D14/223
D674,904 S *	1/2013	Aunio	.....	D24/210
D676,026 S *	2/2013	Lee et al.	.....	D14/223
D699,226 S *	2/2014	Yoon	.....	D14/223
D701,195 S *	3/2014	Katsumata	.....	D14/223
2007/0098201 A1 *	5/2007	Chen	.....	381/380
2011/0176700 A1 *	7/2011	Hashimoto	.....	381/380
2011/0249856 A1 *	10/2011	Takei	.....	381/380

\* cited by examiner

*Primary Examiner* — Paula Greene

(74) *Attorney, Agent, or Firm* — Jianq Chyun IP Office

(57) **CLAIM**

The ornamental design for an earphone, as shown and described.

**DESCRIPTION**

FIG. 1 is a perspective view of an earphone showing my new design;

FIG. 2 is another perspective view thereof;

FIG. 3 is a front view thereof;

FIG. 4 is a rear view thereof;

FIG. 5 is a left side view thereof;

FIG. 6 is a right side view thereof;

FIG. 7 is a top view thereof; and,

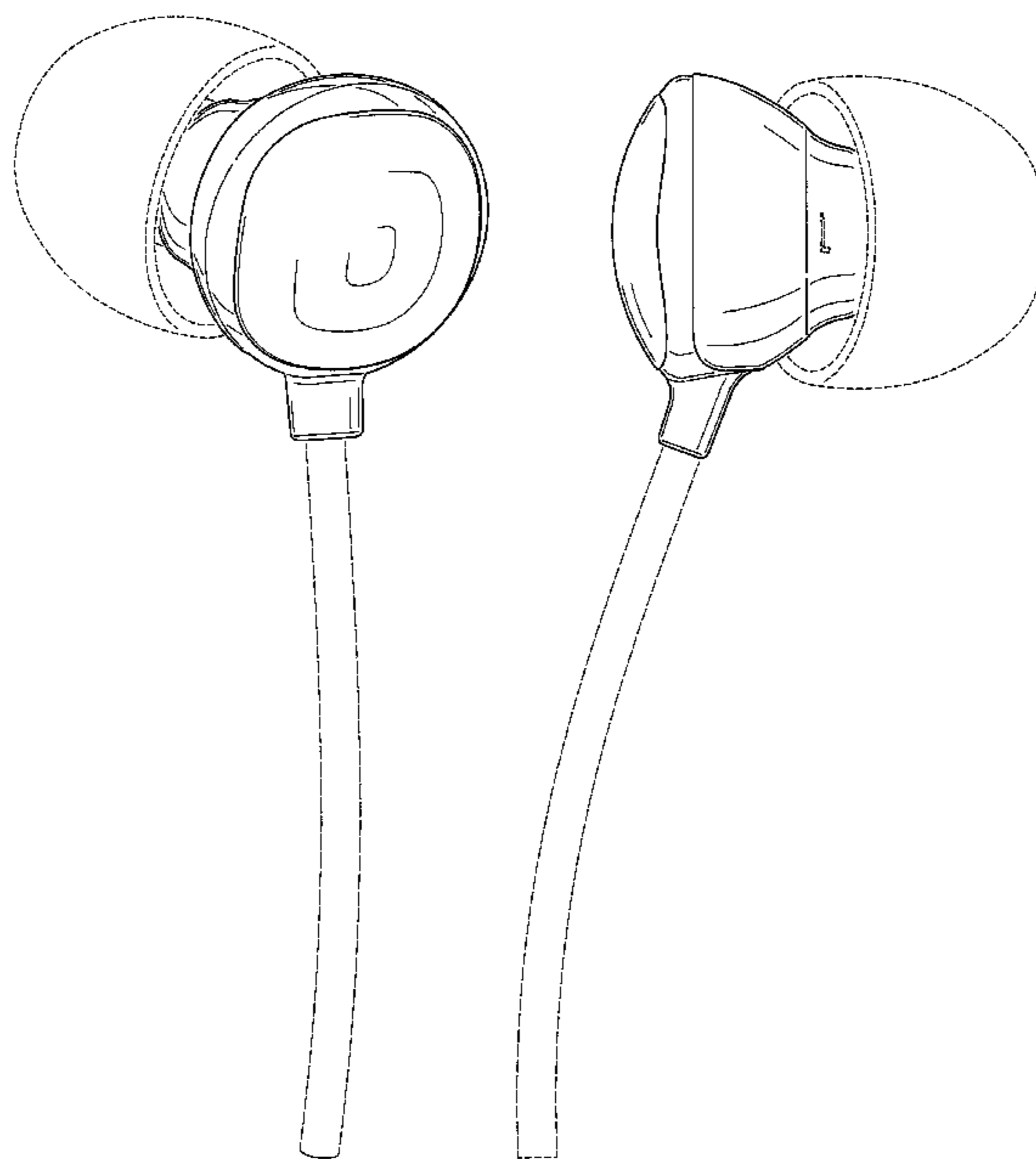
FIG. 8 is a bottom view thereof.

The broken line portions of the earphone in FIGS. 1-8 represent unclaimed portions of the claimed design and form no part thereof.

**1 Claim, 8 Drawing Sheets**

(56) **References Cited**  
U.S. PATENT DOCUMENTS

2,501,107 A *	3/1950	Volkman	.....	381/378
D287,765 S *	1/1987	Topholm	.....	D24/174
5,410,608 A *	4/1995	Lucey et al.	.....	381/360
D431,553 S *	10/2000	Suzuki	.....	D14/223
D487,077 S *	2/2004	Obata	.....	D14/223
D531,169 S *	10/2006	Tokioka et al.	.....	D14/223
D543,972 S *	6/2007	Taylor	.....	D14/223
D573,978 S *	7/2008	Ledbetter et al.	.....	D14/205
7,551,748 B2 *	6/2009	Kamo et al.	.....	381/380
D598,901 S *	8/2009	Lee et al.	.....	D14/223
D599,778 S *	9/2009	Ando	.....	D14/205
D599,781 S *	9/2009	Lee et al.	.....	D14/205
D603,380 S *	11/2009	Hutchieson	.....	D14/223
D621,389 S *	8/2010	Nagayama et al.	.....	D14/223



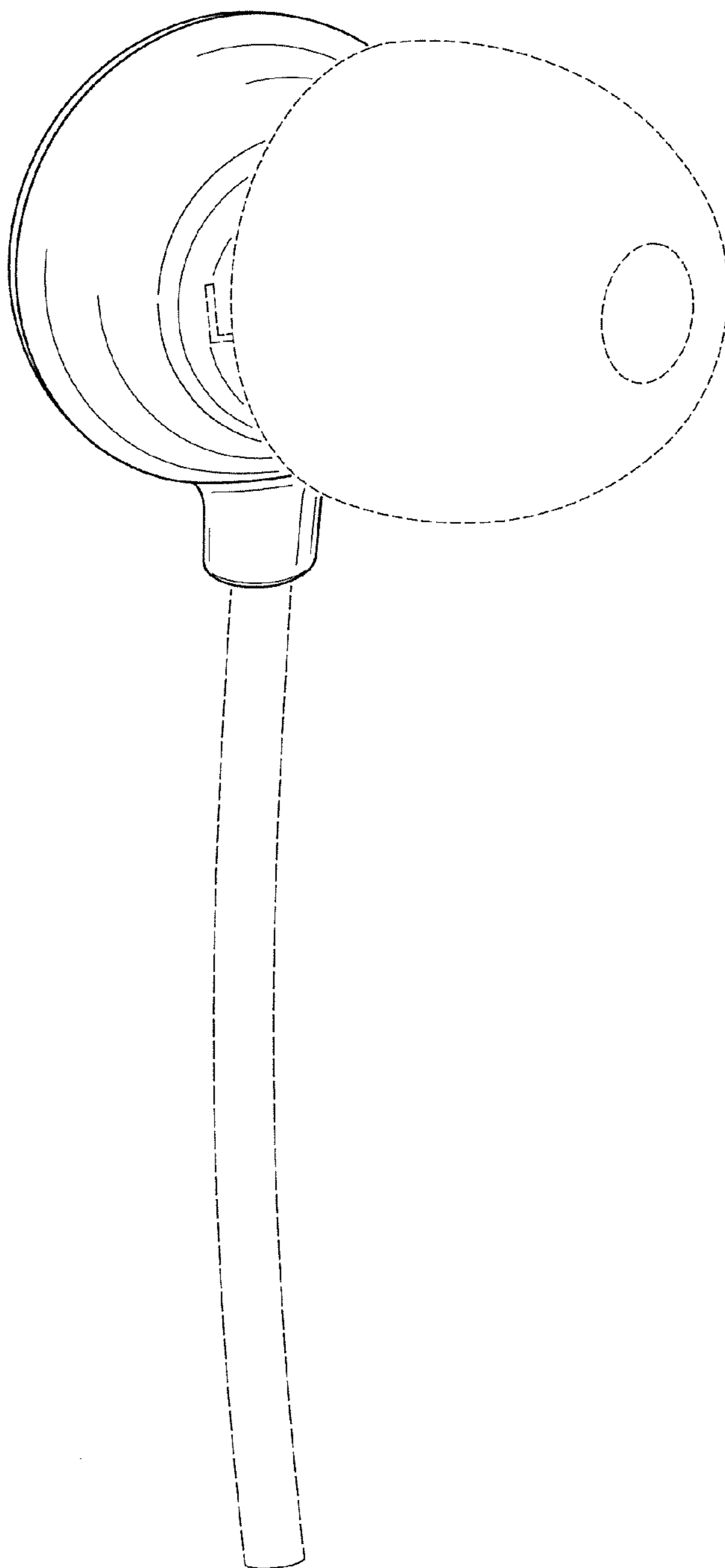


FIG. 1

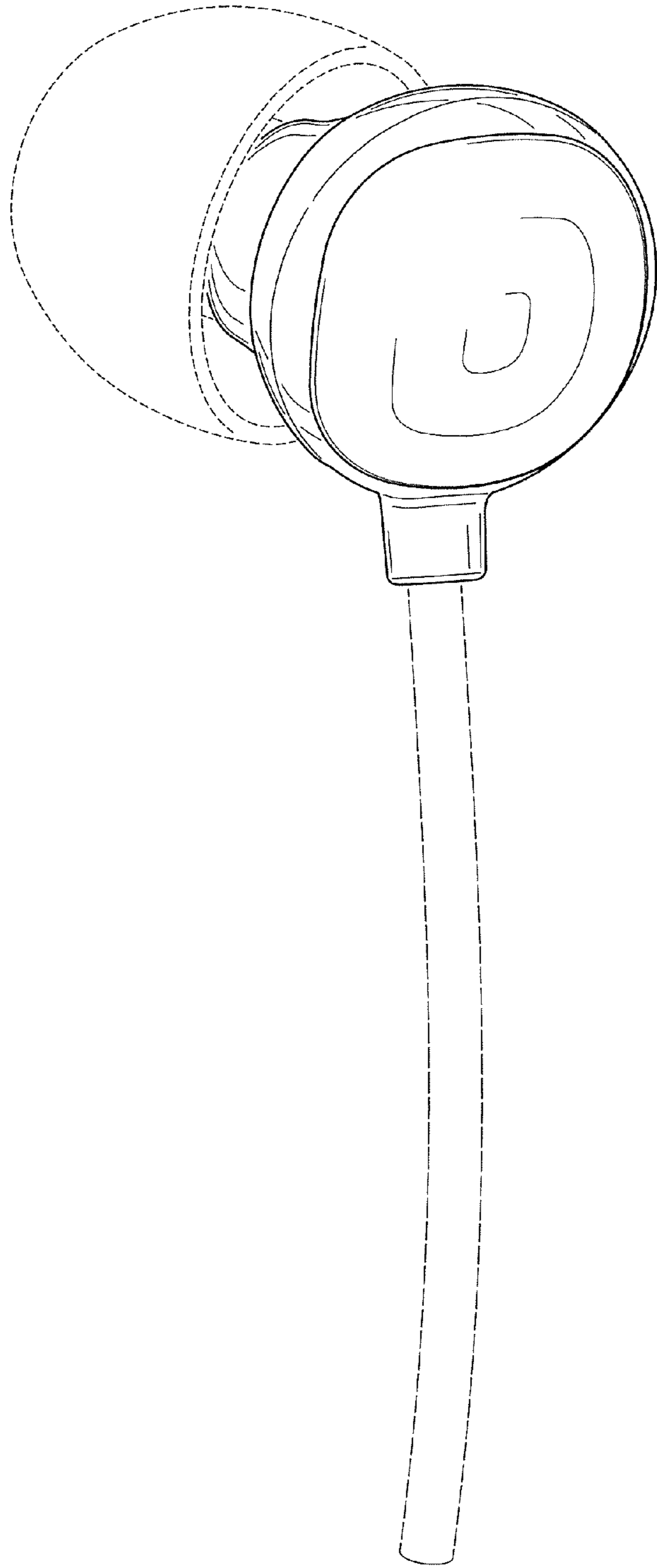


FIG. 2

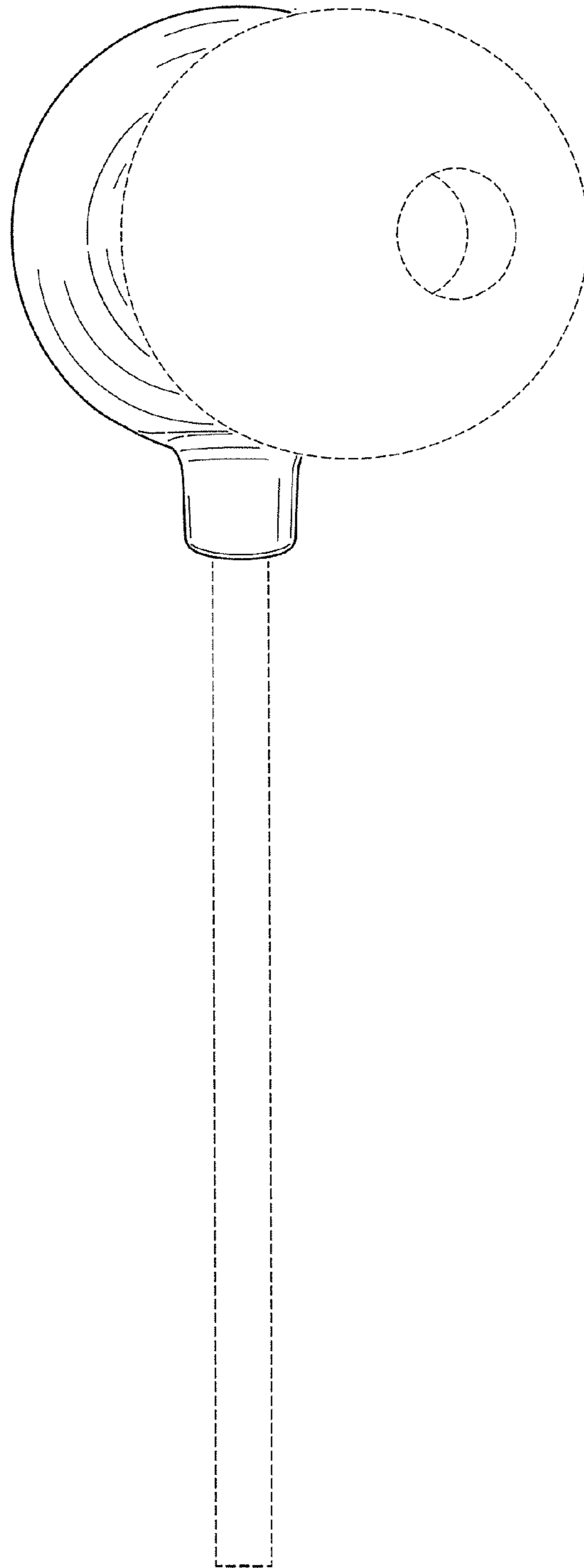


FIG. 3

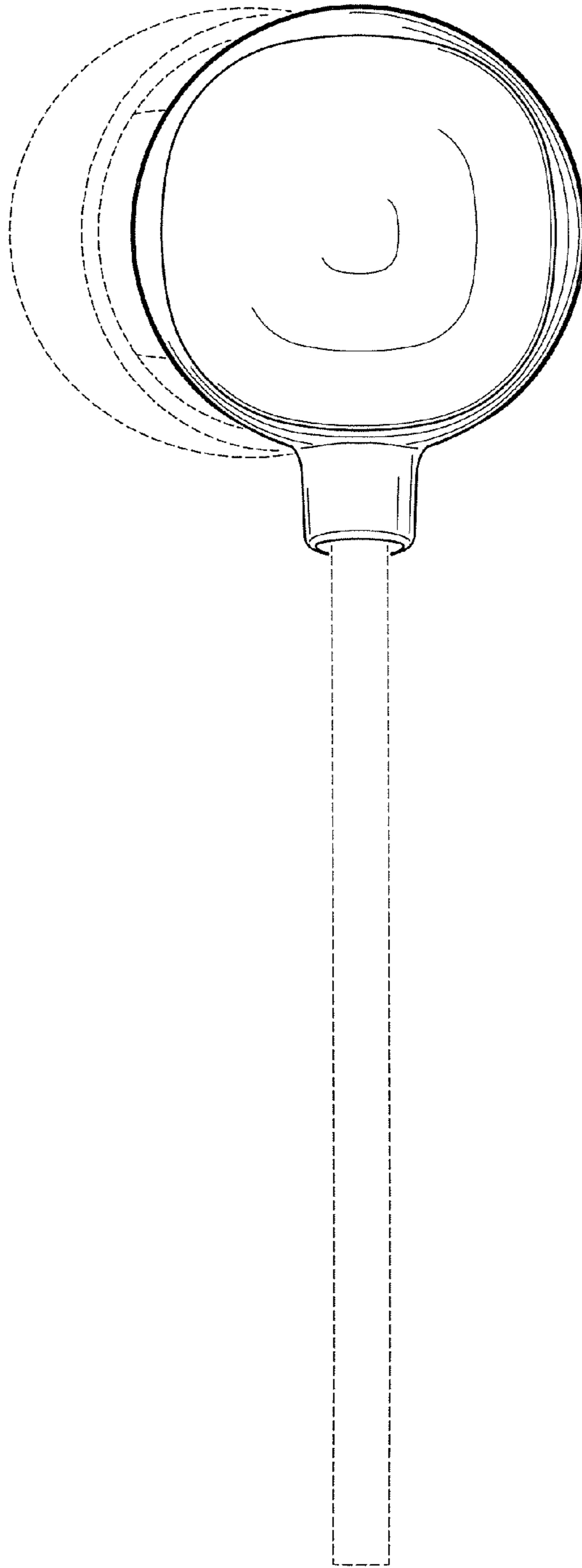


FIG. 4

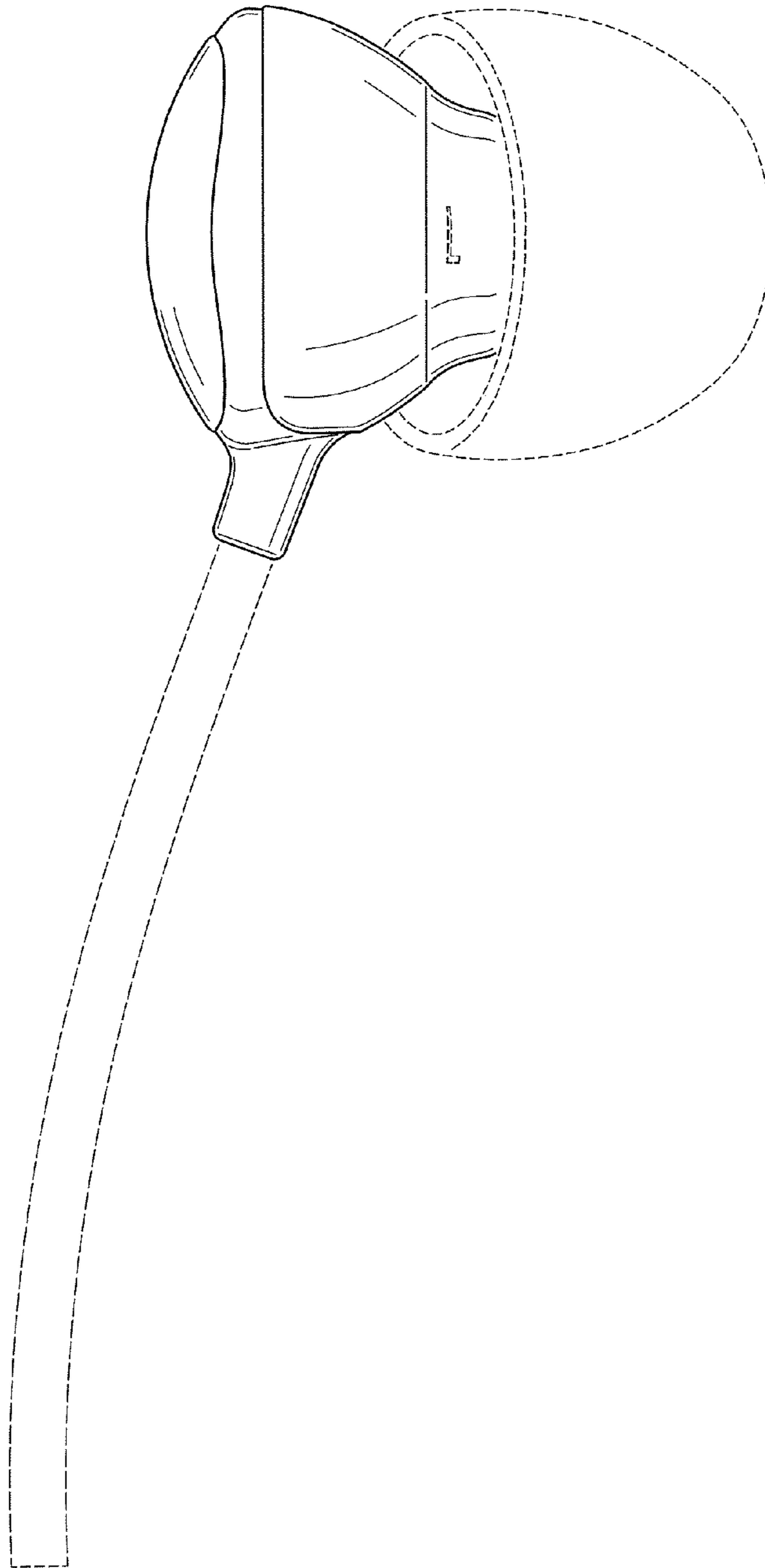


FIG. 5

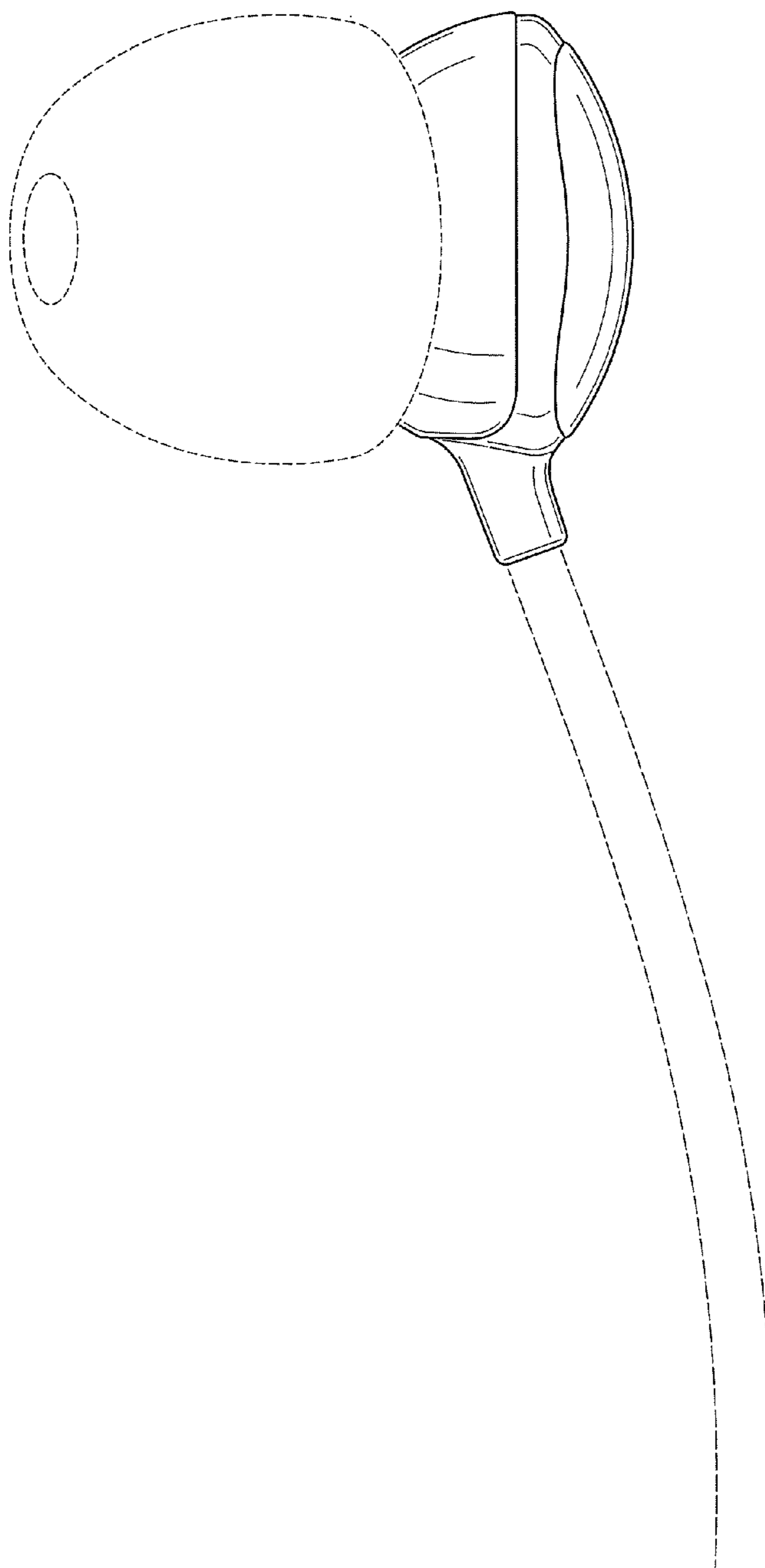


FIG. 6

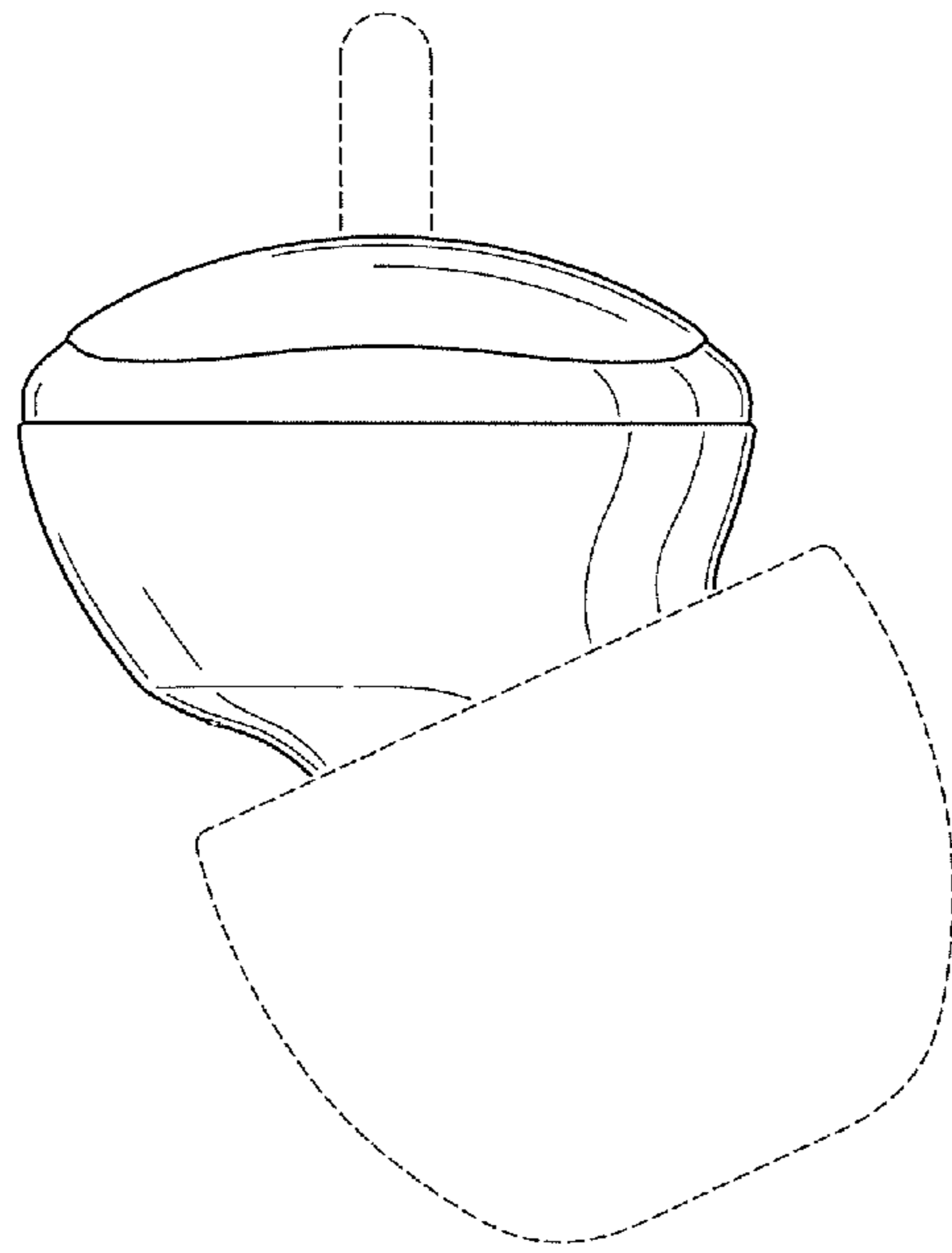


FIG. 7



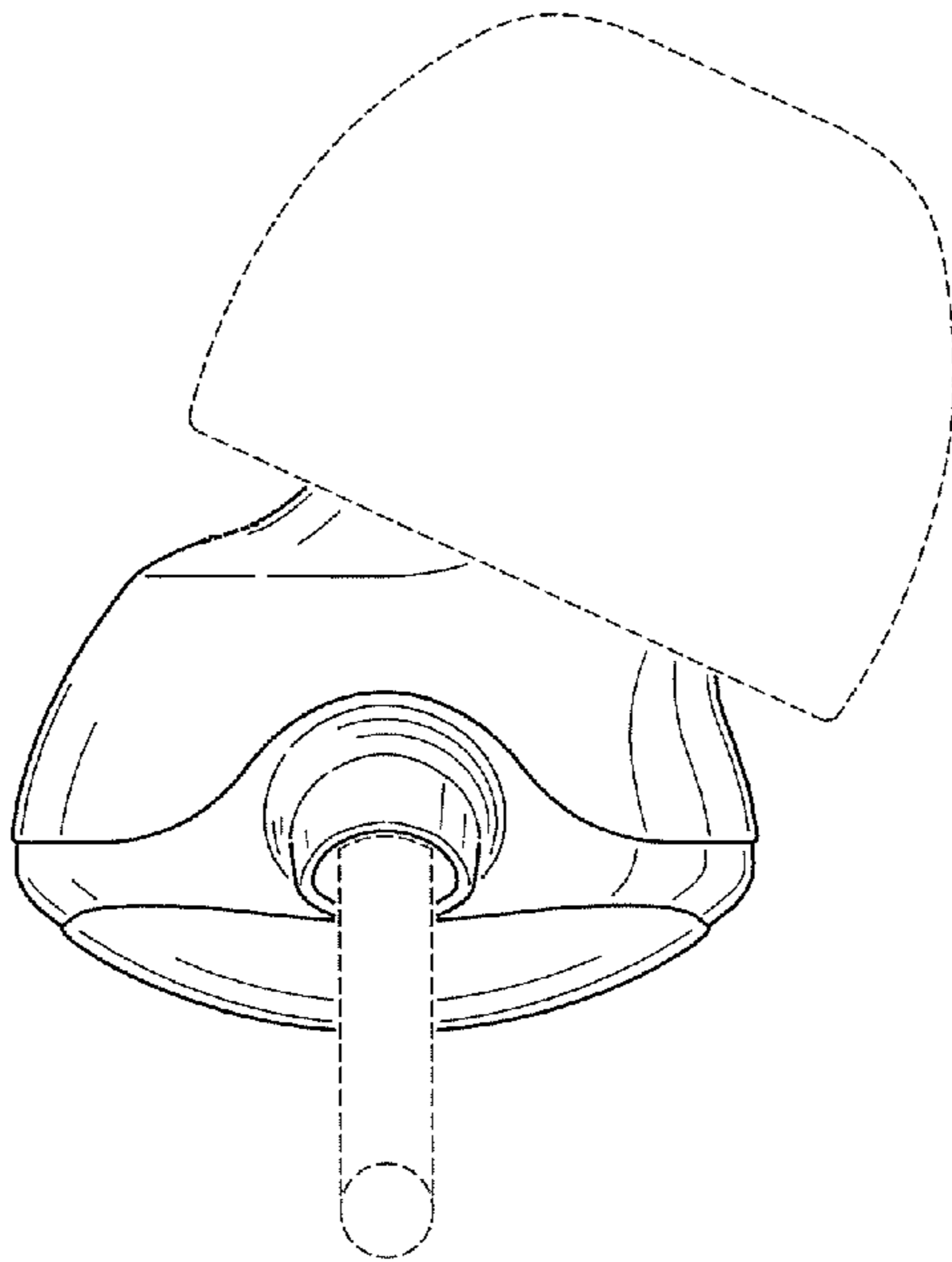


FIG. 8