



US00D711352S

(12) **United States Design Patent**
Szymanski

(10) **Patent No.:** **US D711,352 S**

(45) **Date of Patent:** **** Aug. 19, 2014**

(54) **SPEAKER**

(71) Applicant: **Aaron Szymanski**, Thomaston, CT (US)

(72) Inventor: **Aaron Szymanski**, Thomaston, CT (US)

(73) Assignee: **IdeaVillage Products, Inc.**, Wayne, NJ (US)

(**) Term: **14 Years**

(21) Appl. No.: **29/463,419**

(22) Filed: **Nov. 18, 2013**

(51) **LOC (10) Cl.** **14-01**

(52) **U.S. Cl.**
USPC **D14/216**; D14/221

(58) **Field of Classification Search**
CPC H04R 1/02; H04R 1/023; H04R 1/026;
H04R 1/30; H04R 3/00; H04R 9/06; H04R
11/02; H04R 19/02
USPC D14/204, 218, 172, 210–216, 209.1,
D14/496, 497, 137, 168, 181, 185, 188, 299,
D14/203.1–203.8, 221; 181/143, 147, 148,
181/150, 153, 157, 198, 199, 166, 144;
381/300–303, 306, 332, 333, 336, 345,
381/361–364, 370, 386–388; 455/344–351;
84/609–614, 634–638; 434/307 A,
434/307 R, 309, 318; 352/1, 6–10

See application file for complete search history.

(56) **References Cited**

U.S. PATENT DOCUMENTS

| | | | | |
|-----------|------|---------|---------------|---------|
| 5,153,915 | A * | 10/1992 | Farella | 381/99 |
| 5,319,164 | A * | 6/1994 | Shen | 181/150 |
| D620,480 | S * | 7/2010 | Garrett | D14/216 |
| D652,023 | S * | 1/2012 | Chen | D14/216 |
| 8,175,304 | B1 * | 5/2012 | North | 381/308 |
| 8,385,580 | B2 * | 2/2013 | Adamson | 381/401 |
| D687,020 | S * | 7/2013 | Trainer | D14/222 |
| D691,587 | S * | 10/2013 | Ferber et al. | D14/216 |
| D694,218 | S * | 11/2013 | Szymanski | D14/216 |
| D695,713 | S * | 12/2013 | Szymanski | D14/216 |

* cited by examiner

Primary Examiner — Prabhakar Deshmukh

(74) *Attorney, Agent, or Firm* — Dan M. DeLaRosa

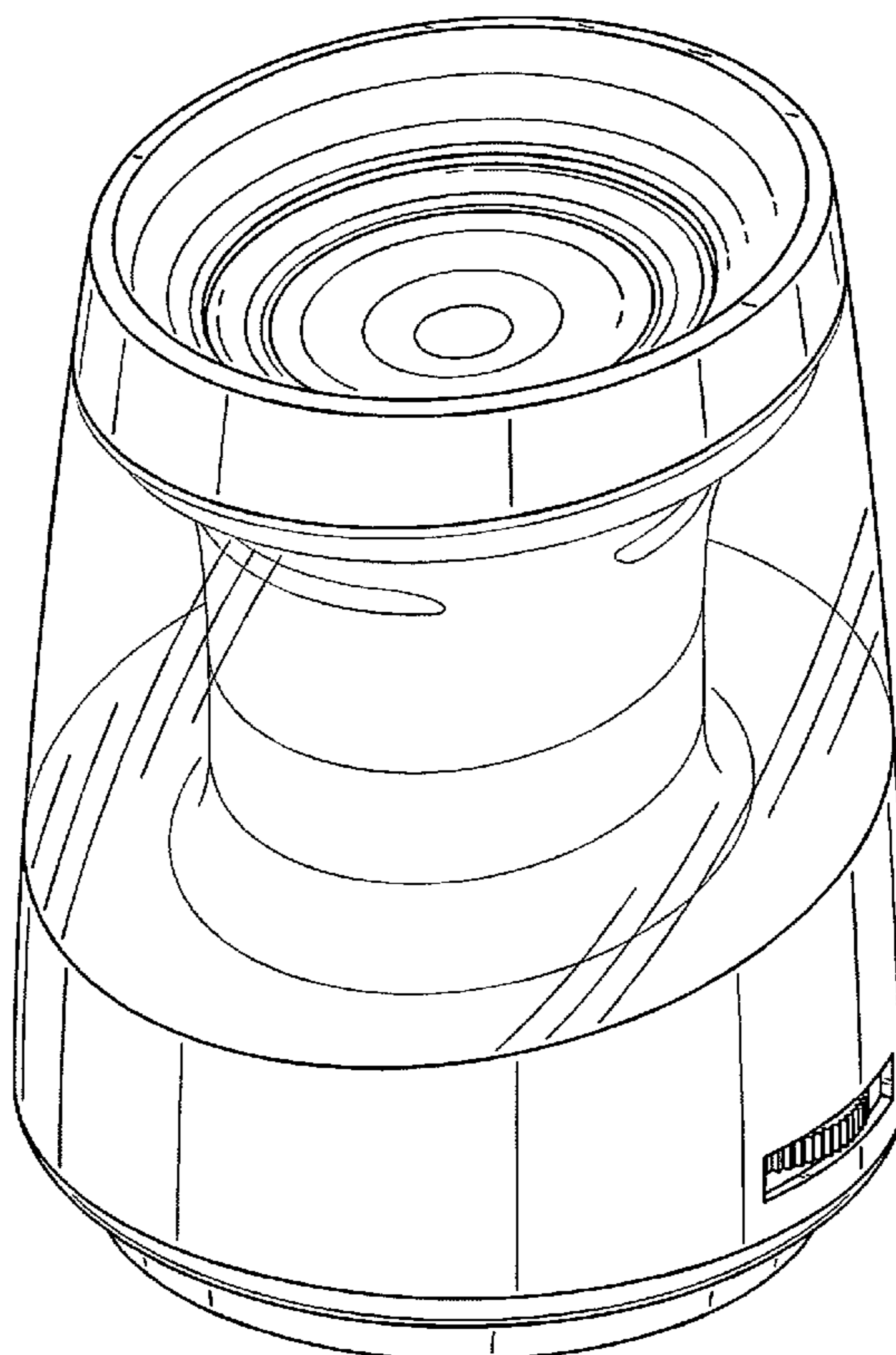
(57) **CLAIM**

The ornamental design for a speaker, as shown and described.

DESCRIPTION

FIG. 1 is front perspective view of a speaker showing my new design;
FIG. 2 is a front side elevational view thereof;
FIG. 3 is a back side elevational view thereof;
FIG. 4 is a side elevational view thereof;
FIG. 5 is another side elevational view thereof;
FIG. 6 is a top plan view thereof; and,
FIG. 7 is a bottom plan view thereof.

1 Claim, 7 Drawing Sheets



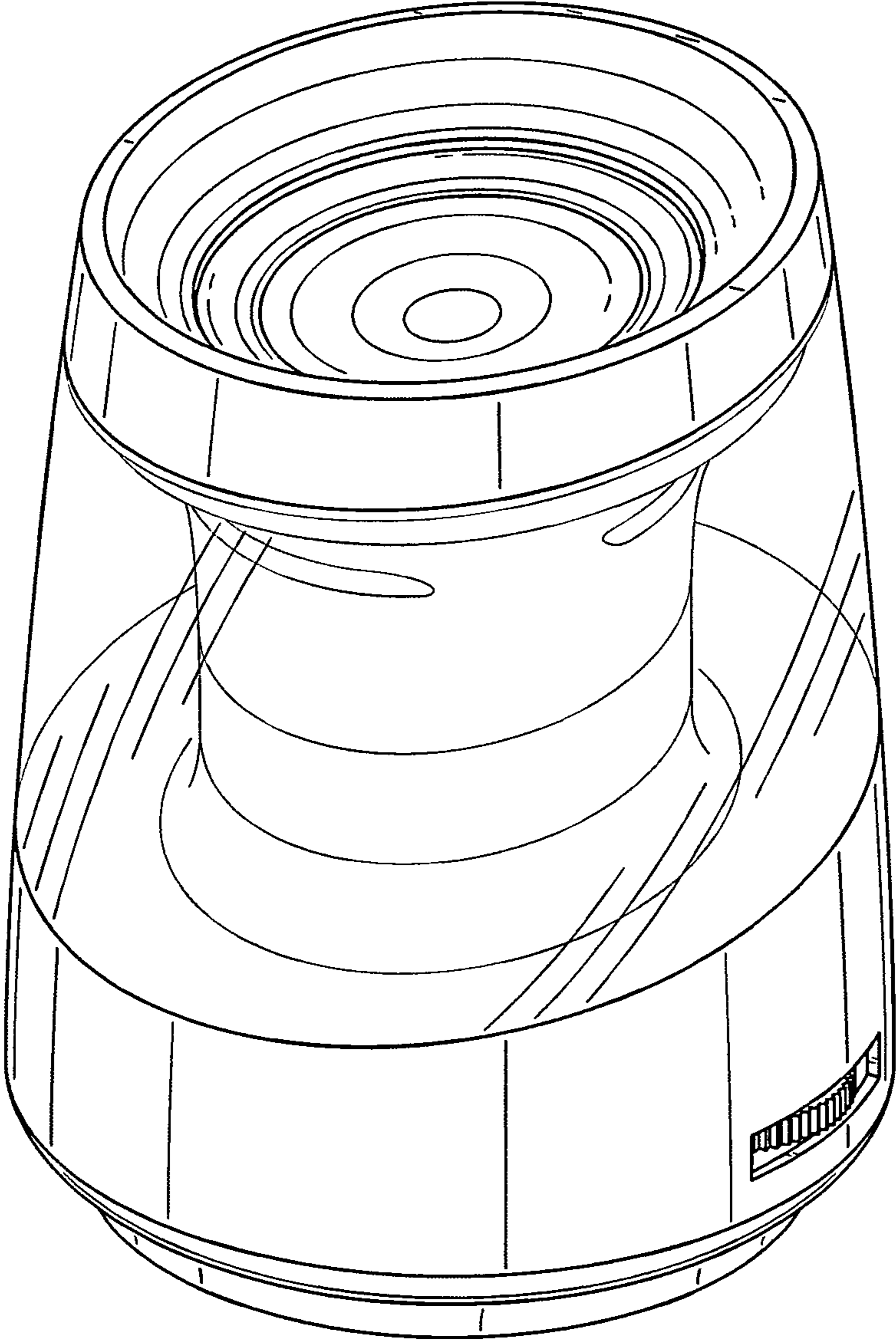


FIG. 1

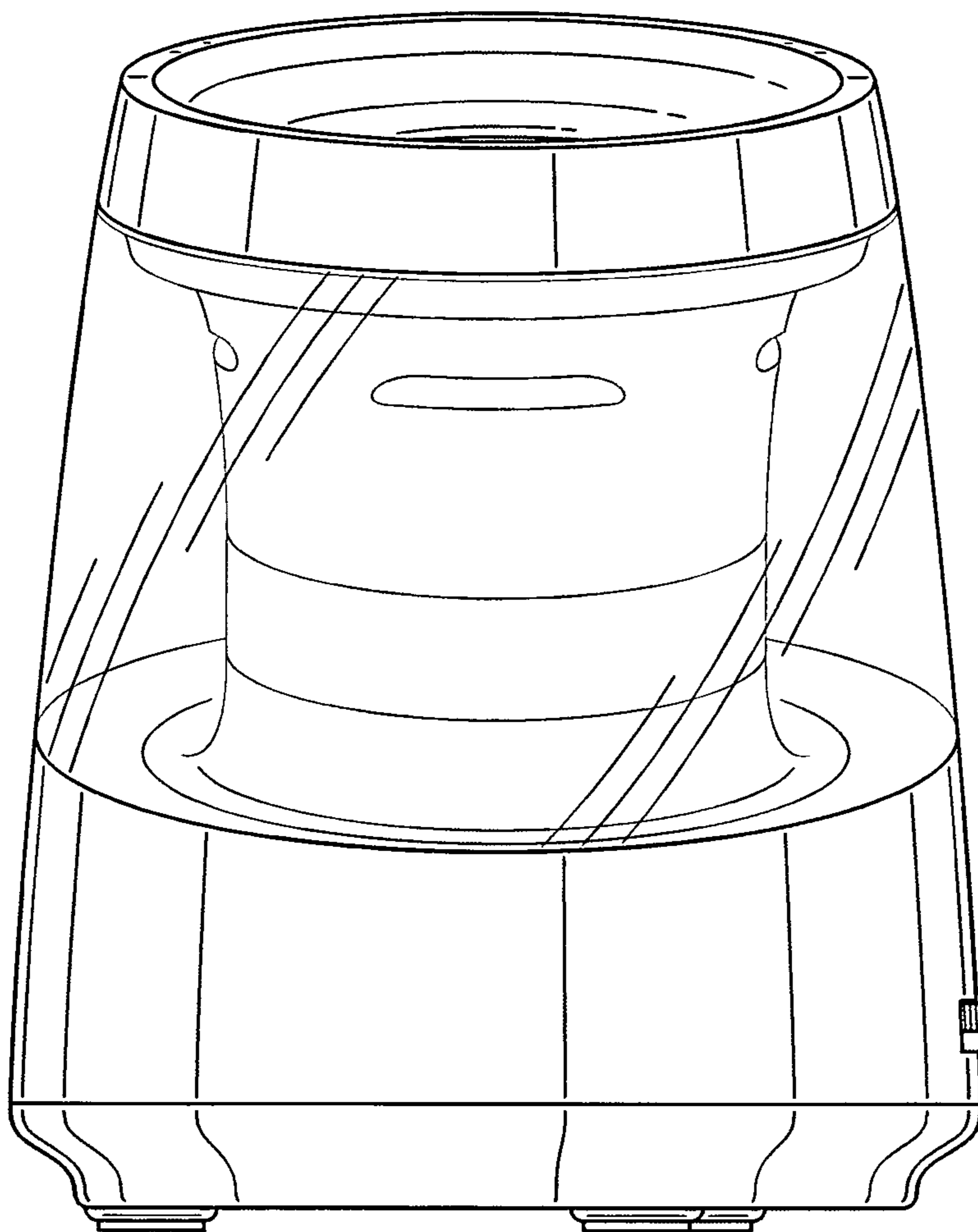


FIG. 2

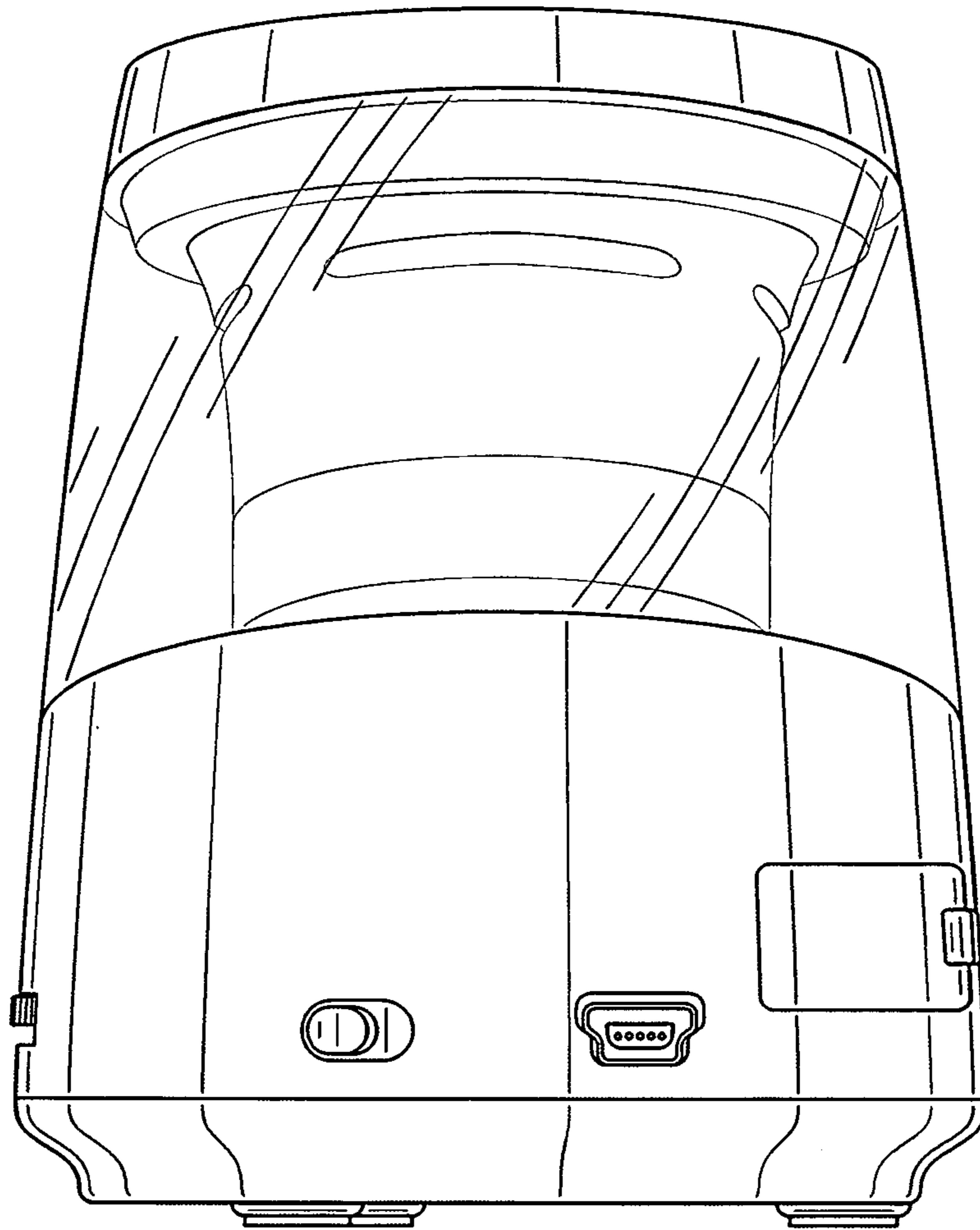


FIG. 3

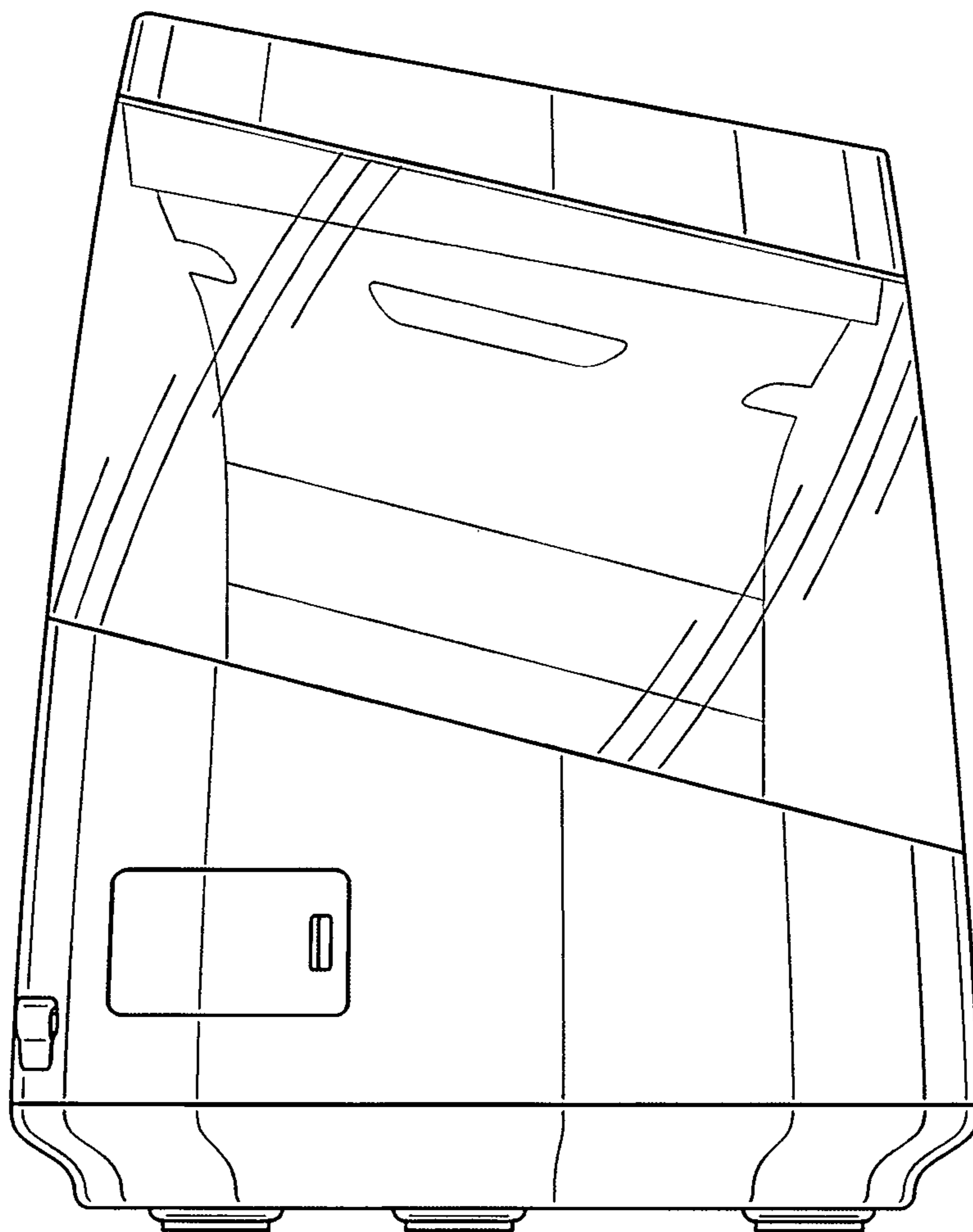


FIG. 4

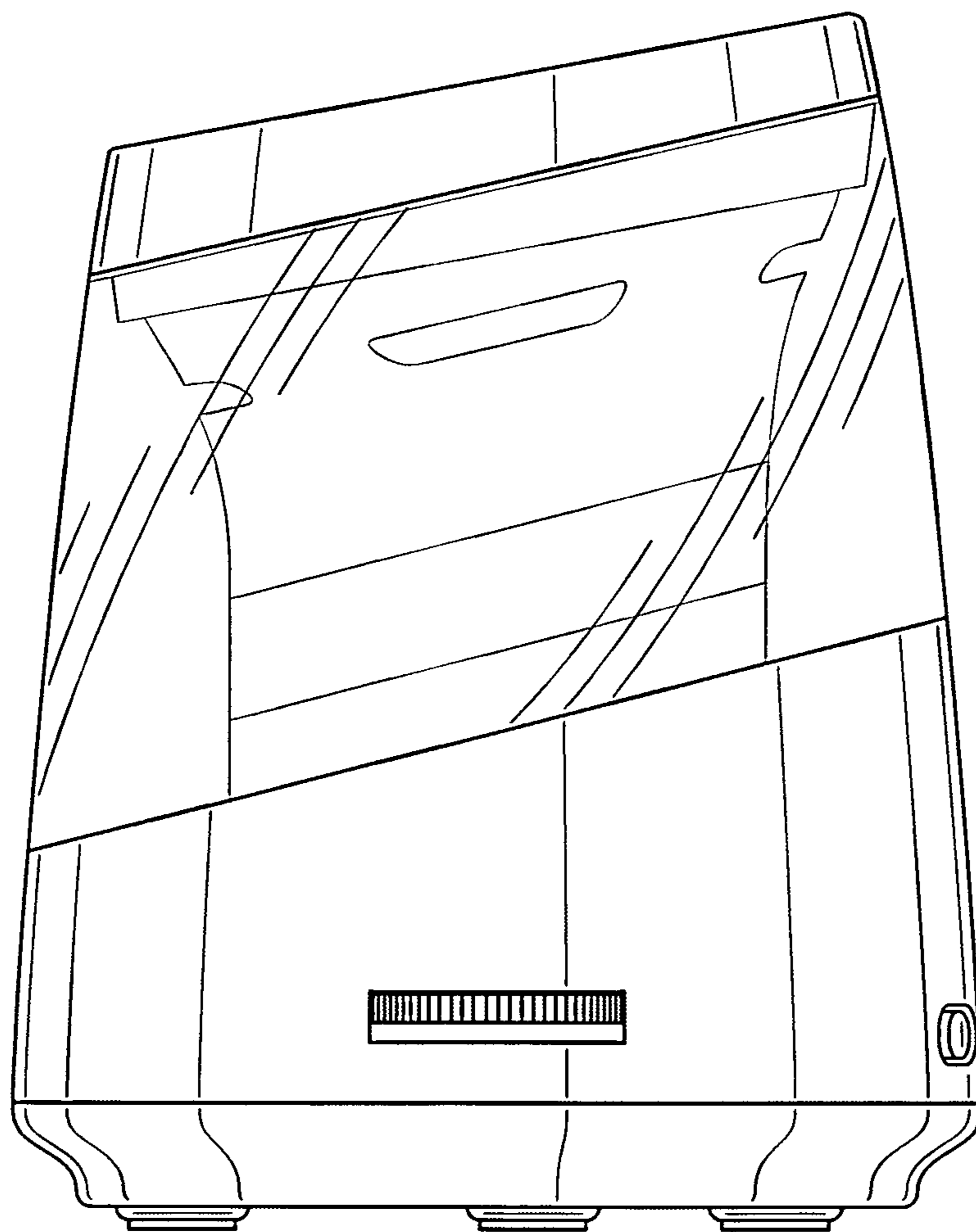


FIG. 5

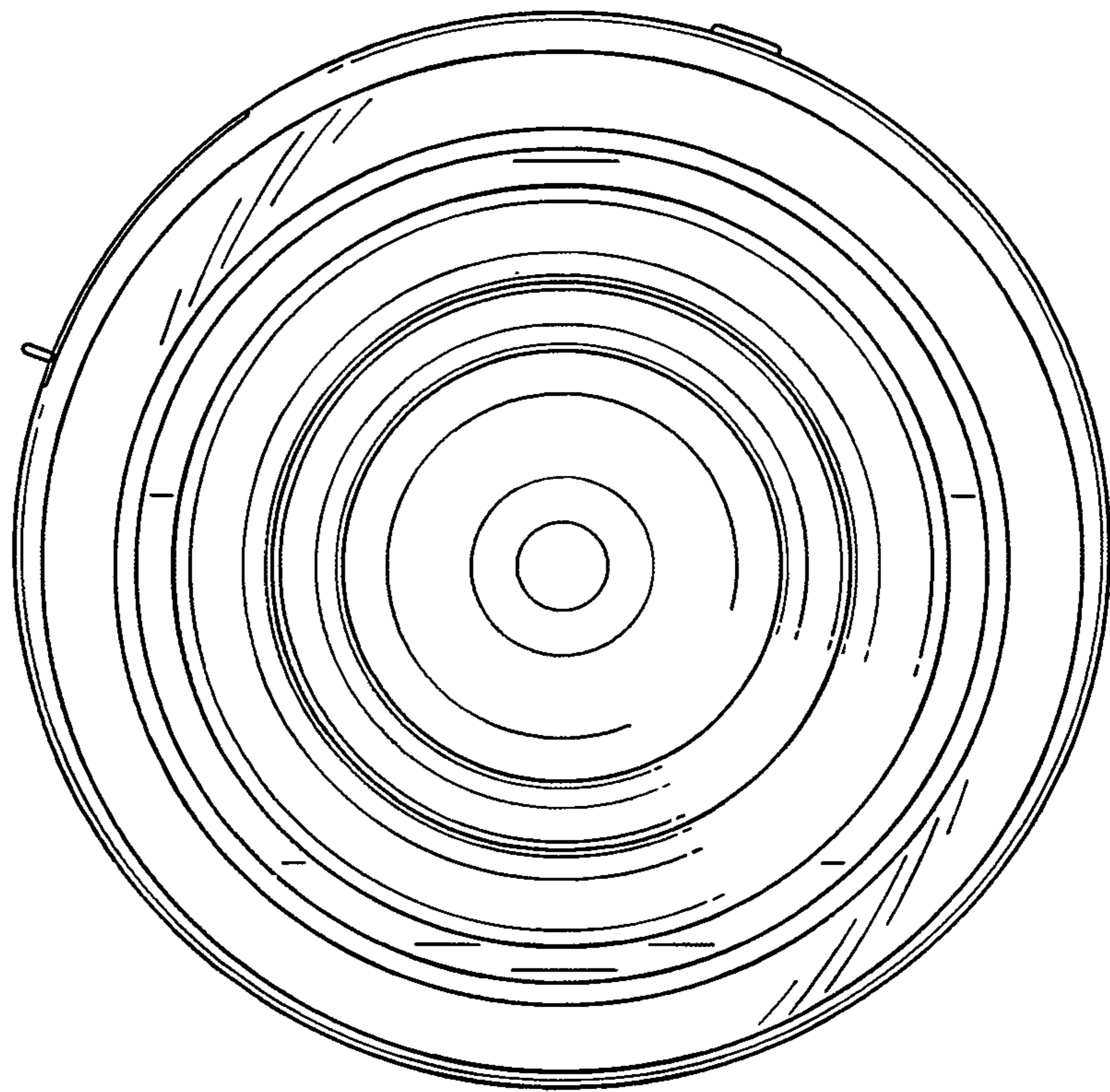


FIG. 6

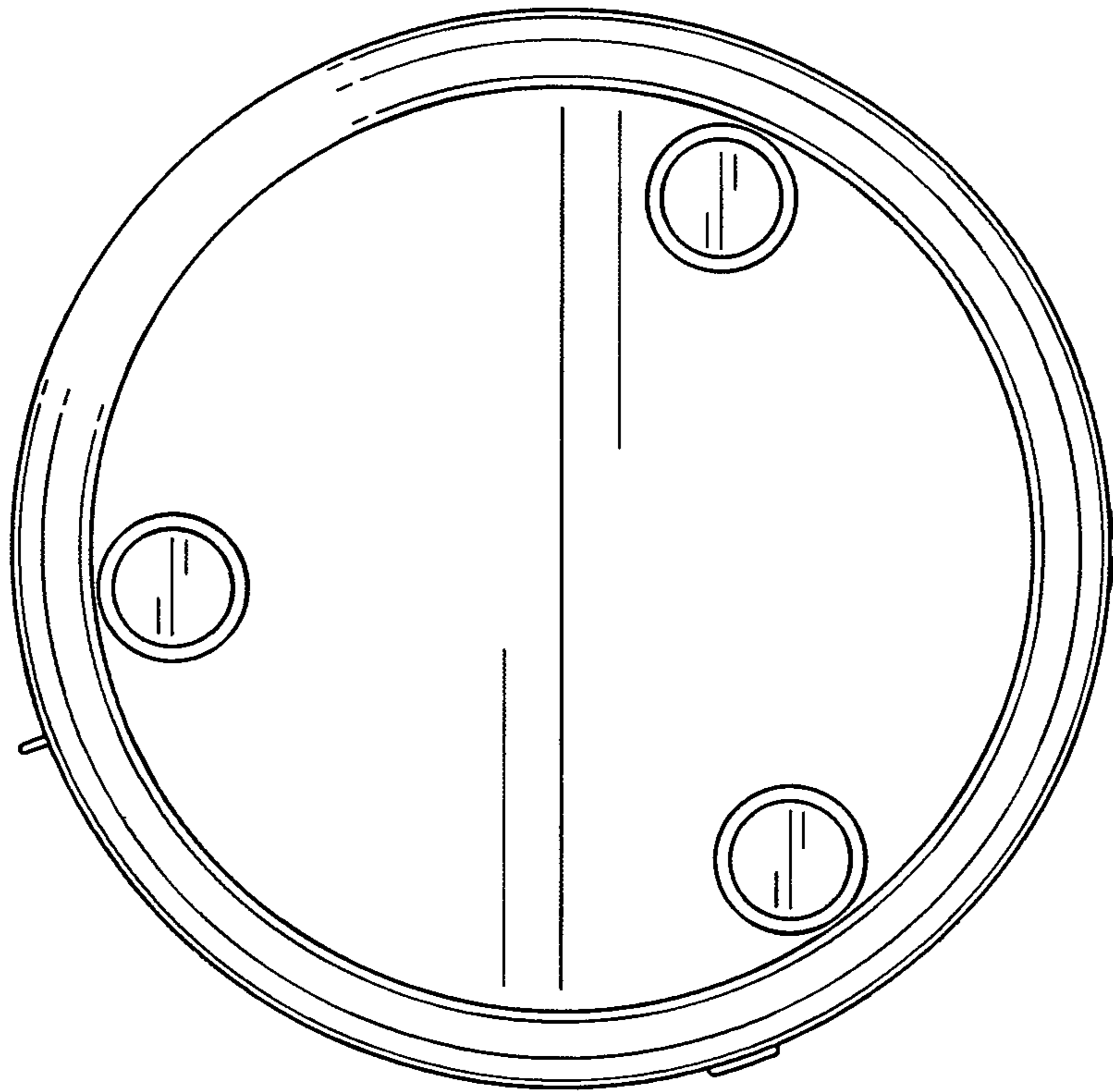


FIG. 7