



US00D711350S

(12) **United States Design Patent**
Speck et al.

(10) **Patent No.:** **US D711,350 S**

(45) **Date of Patent:** **** Aug. 19, 2014**

(54) **SPEAKER**

381/386–388; 369/6–12; D13/107, 108
See application file for complete search history.

(71) Applicants: **John Speck**, Providence, RI (US); **Geoff McKinnon**, Woonsocket, RI (US); **Steven Desrosiers**, Woonsocket, RI (US); **Nathan Butler**, Sterling, MA (US); **Jeffrey A. Rocha**, Paxton, MA (US)

(56) **References Cited**

U.S. PATENT DOCUMENTS

D500,025	S	12/2004	Vincenot	
D500,306	S	12/2004	Noselli	
D654,906	S *	2/2012	Warden et al.	D14/214
D684,557	S *	6/2013	Warden et al.	D14/204
D687,814	S *	8/2013	Lum et al.	D14/214
D692,863	S *	11/2013	Givre et al.	D14/214

* cited by examiner

Primary Examiner — Keli L Hill

(74) *Attorney, Agent, or Firm* — Christensen O'Connor Johnson Kindness PLLC

(72) Inventors: **John Speck**, Providence, RI (US); **Geoff McKinnon**, Woonsocket, RI (US); **Steven Desrosiers**, Woonsocket, RI (US); **Nathan Butler**, Sterling, MA (US); **Jeffrey A. Rocha**, Paxton, MA (US)

(57) **CLAIM**

The ornamental design for a speaker, as shown and described.

(73) Assignee: **LOUD Technologies Inc.**, Woodinville, WA (US)

DESCRIPTION

(**) Term: **14 Years**

(21) Appl. No.: **29/446,128**

FIG. 1 is a front perspective view of the design of the present application;
FIG. 2 is a rear perspective view of the design of FIG. 1;
FIG. 3 is a top view of the design of FIG. 1;
FIG. 4 is a bottom view of the design of FIG. 1;
FIG. 5 is a front elevation view of the design of FIG. 1;
FIG. 6 is a rear elevation view of the design of FIG. 1;
FIG. 7 is a side elevational view of the design of FIG. 1; and,
FIG. 8 is a side elevational view of the design of FIG. 1, taken from the opposite side of the design relative to FIG. 7.
The broken lines shown are included for the purpose of illustrating portions of the speaker that form no part of the claim.

(22) Filed: **Feb. 20, 2013**

(51) **LOC (10) Cl.** **14-03**

(52) **U.S. Cl.**
USPC **D14/210**

(58) **Field of Classification Search**
CPC B60R 11/0217; G11B 31/003; H04R 1/02; H04R 1/021; H04R 2/026; H04R 1/2803; H04R 2203/00; H04R 2400/00; H04R 2420/07
USPC D14/167, 168, 170–172, 188, 189, D14/194–196, 204, 207, 209.1, 210–216, D14/221, 222; 181/143, 144, 147, 148, 150, 181/153, 157, 198, 199; 381/300–303, 306, 381/332, 333, 336, 345, 361–364,

1 Claim, 8 Drawing Sheets

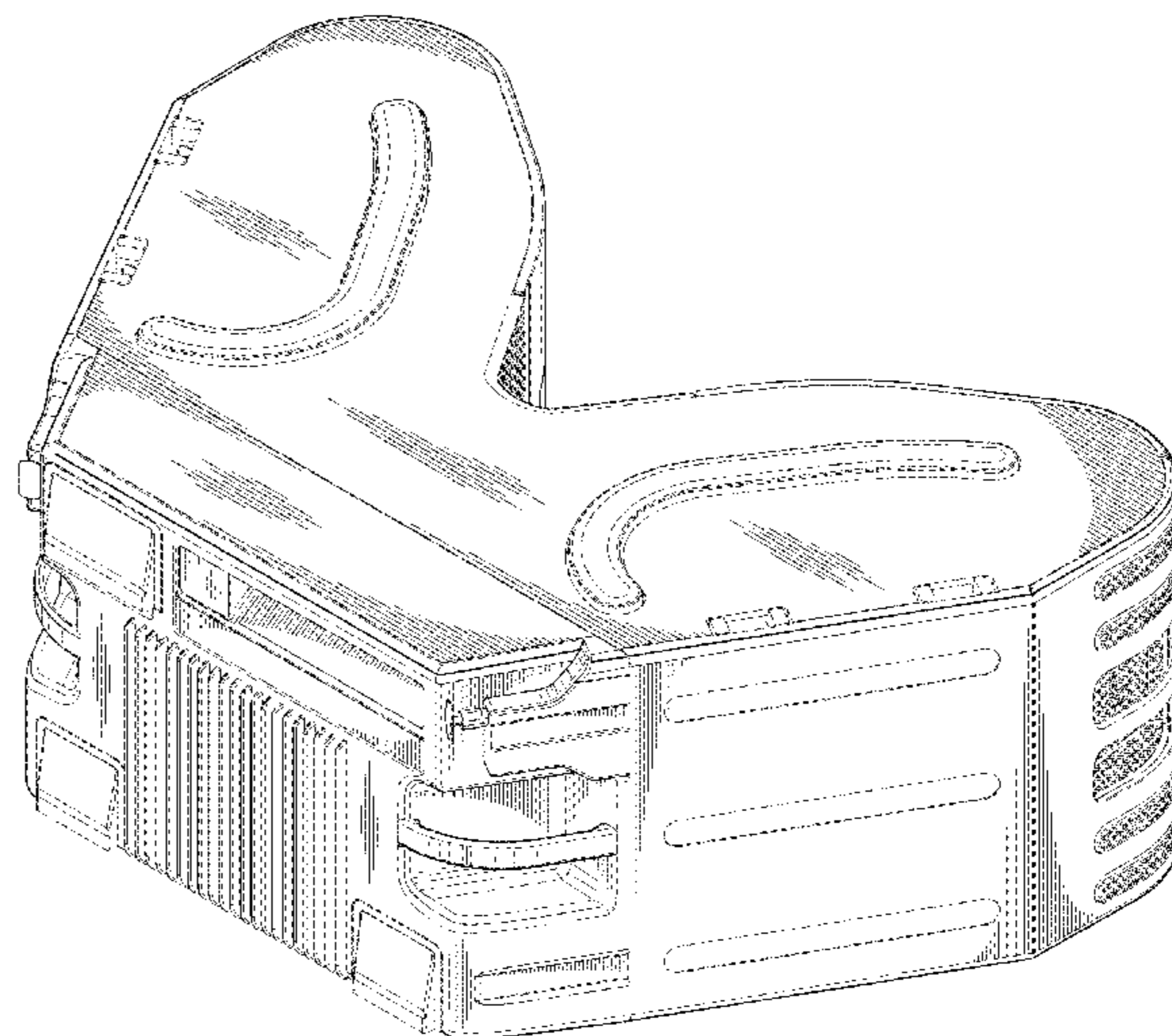
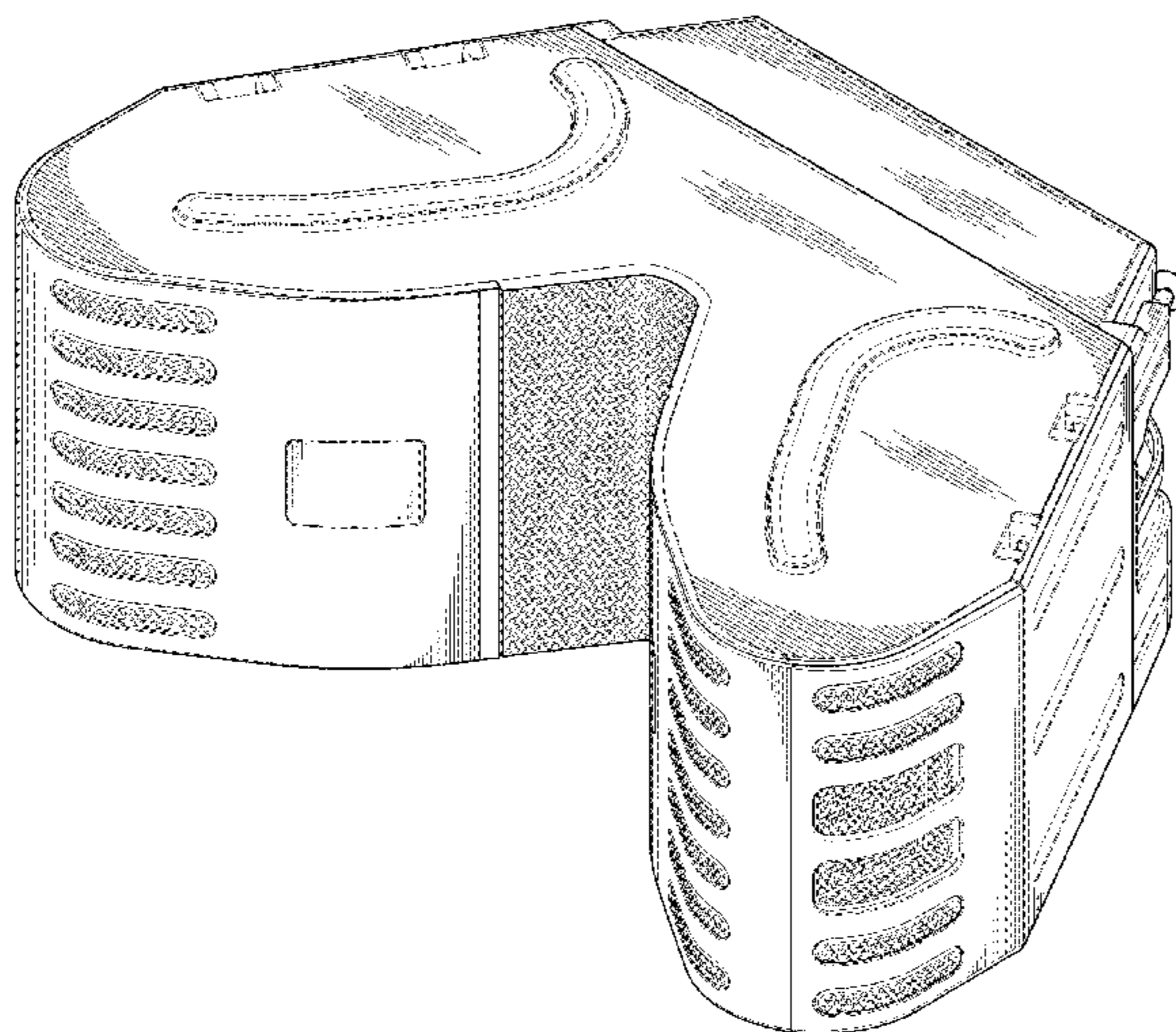
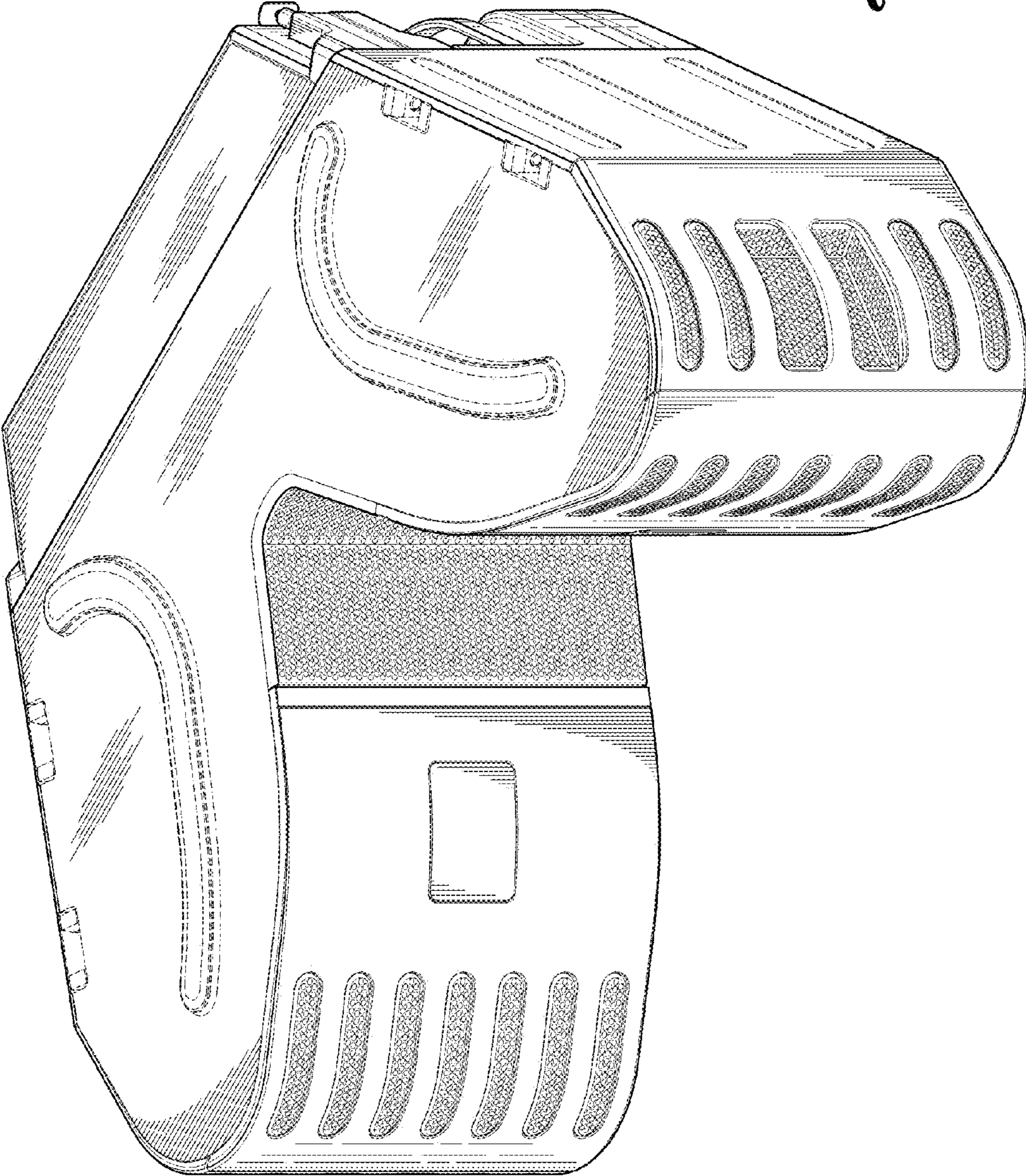


Fig. 1.



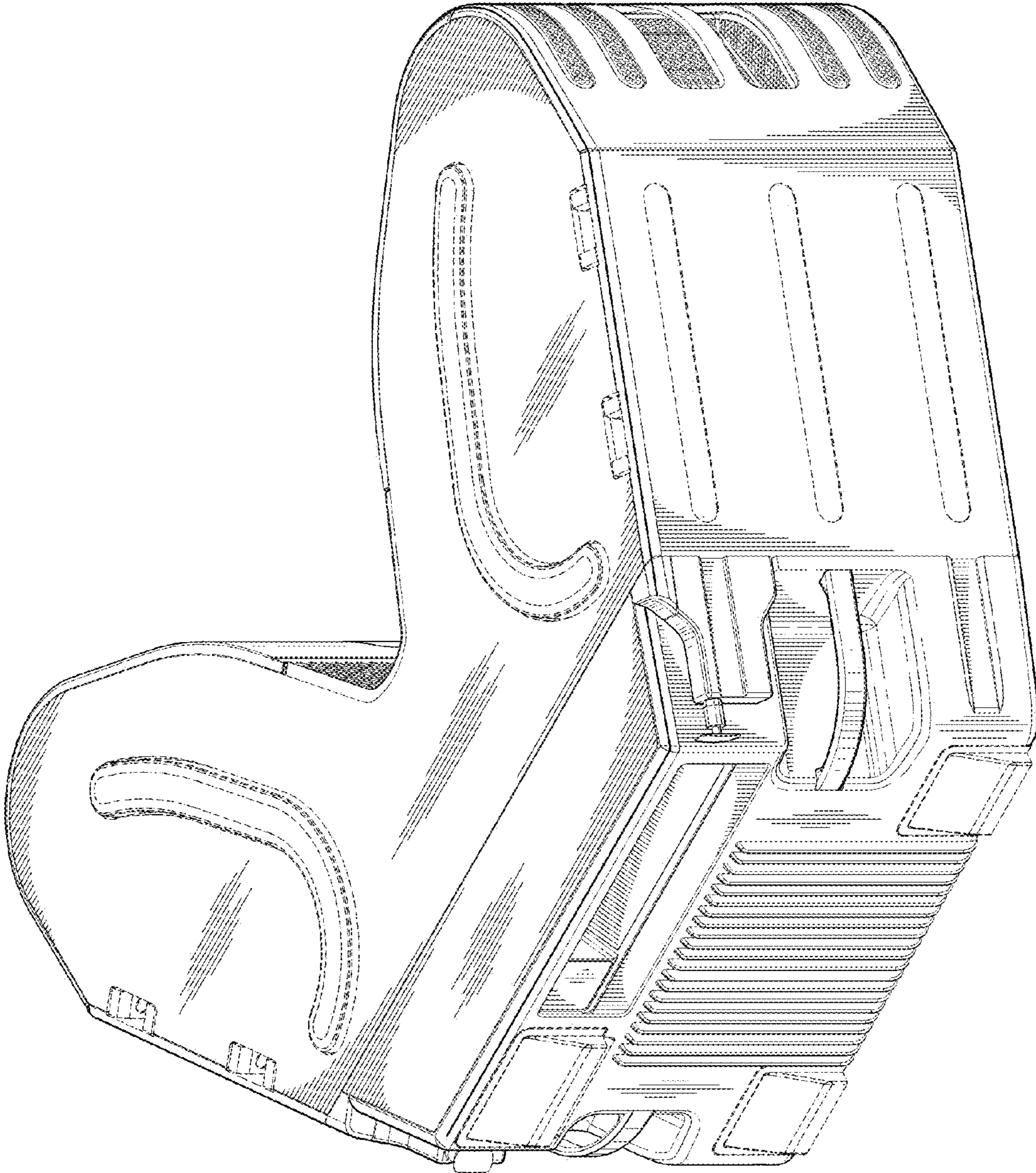


Fig. 2.

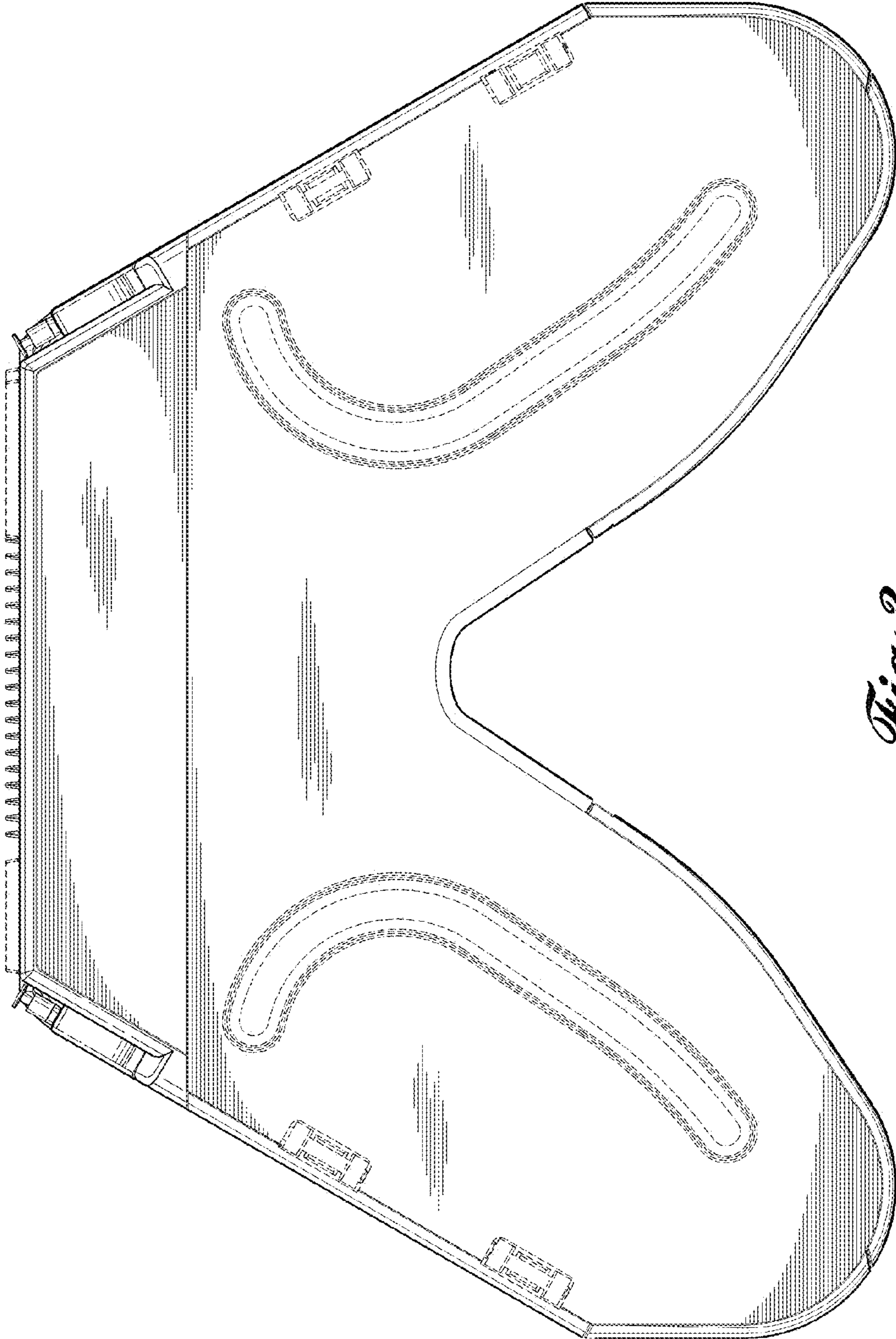


Fig. 3.

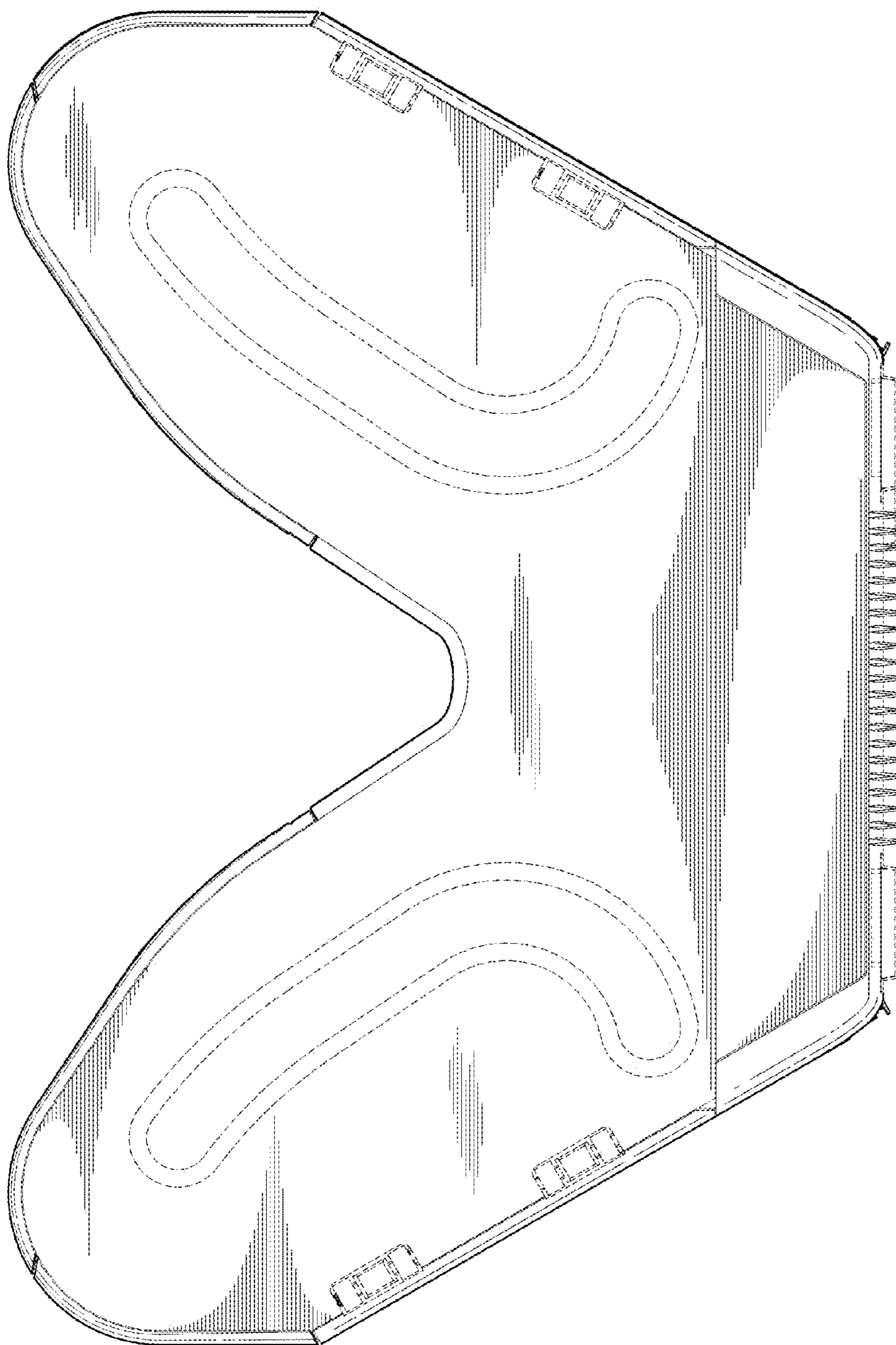


Fig. 4.

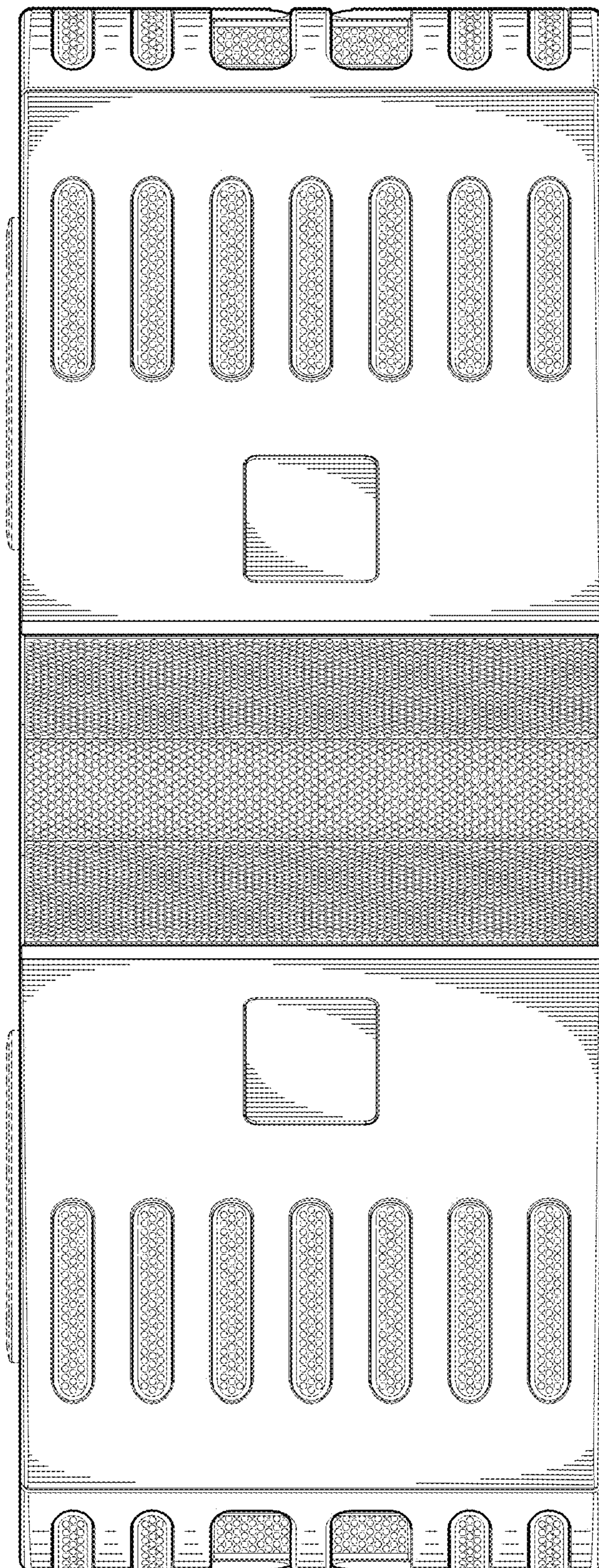


Fig. 5.

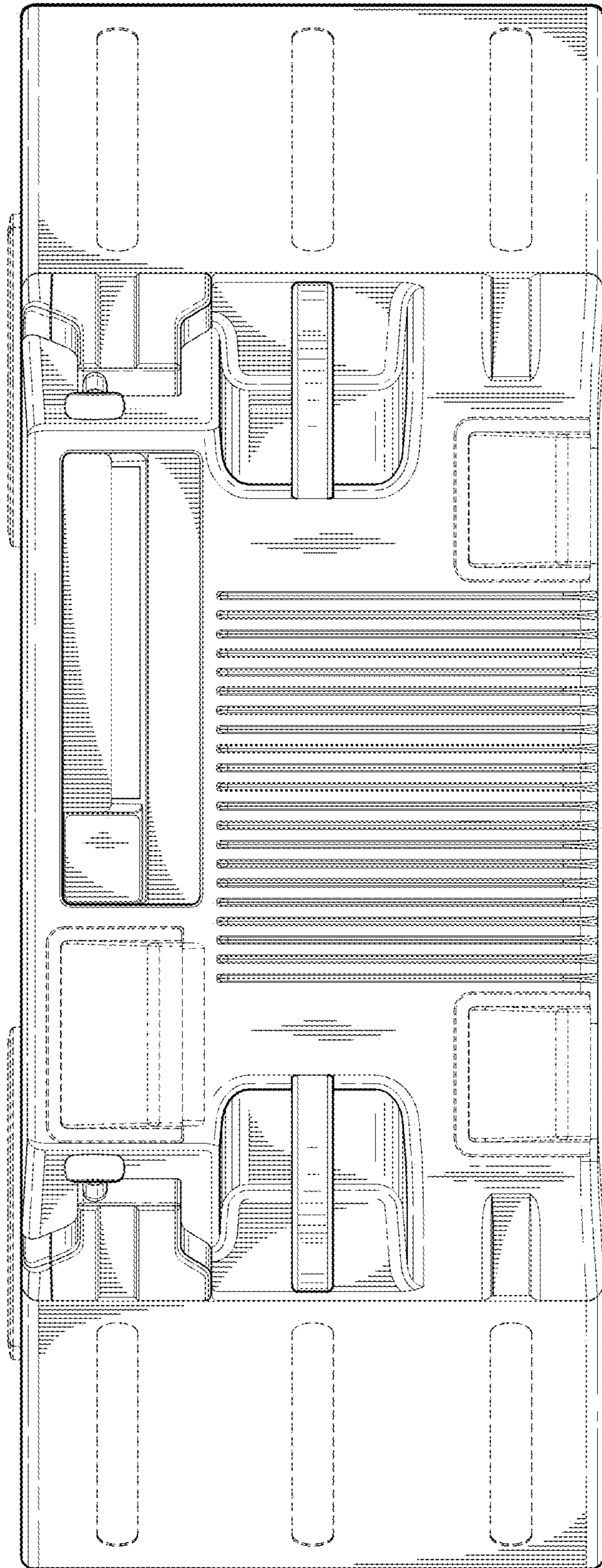


Fig. 6.

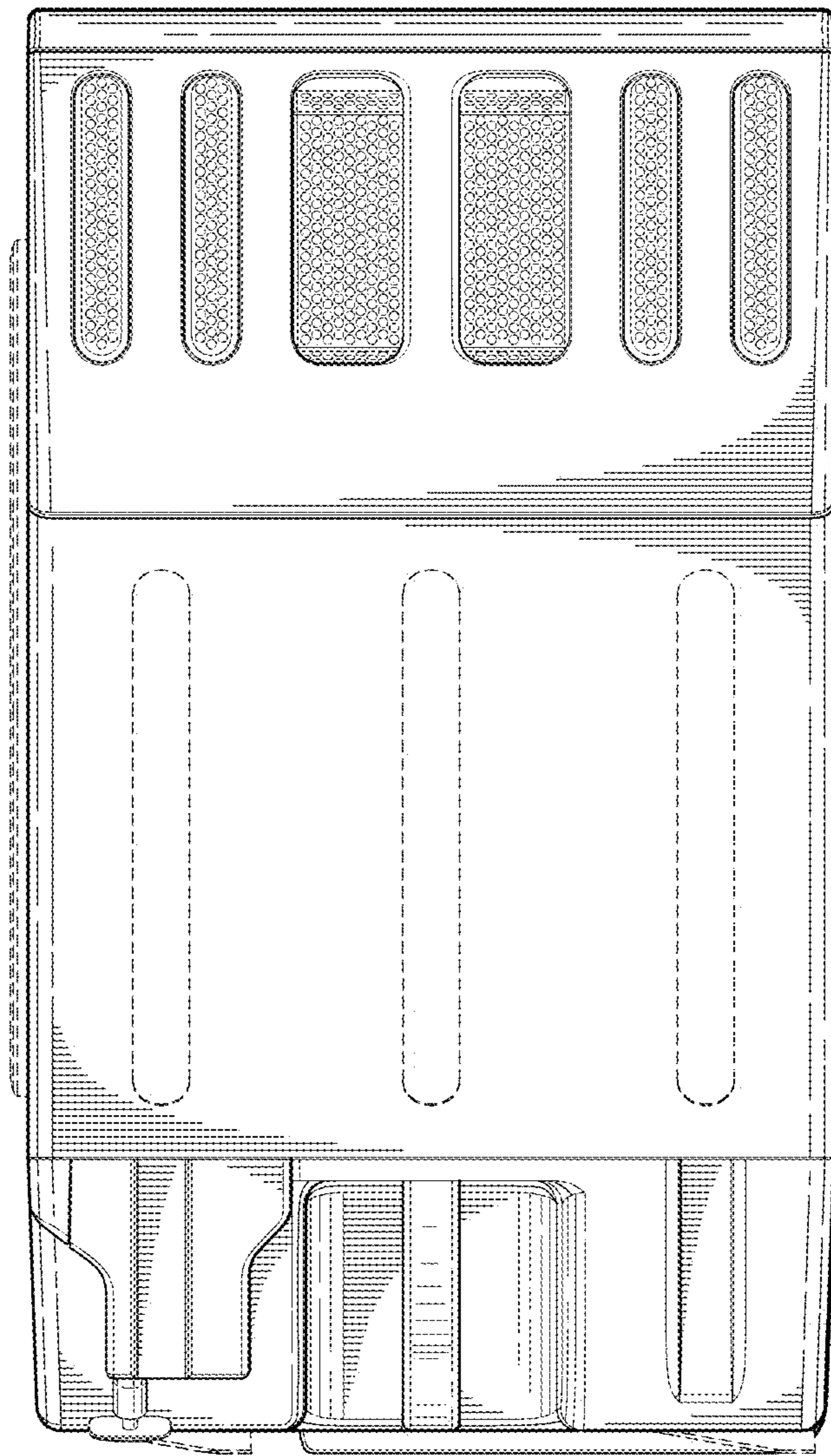


Fig. 7.

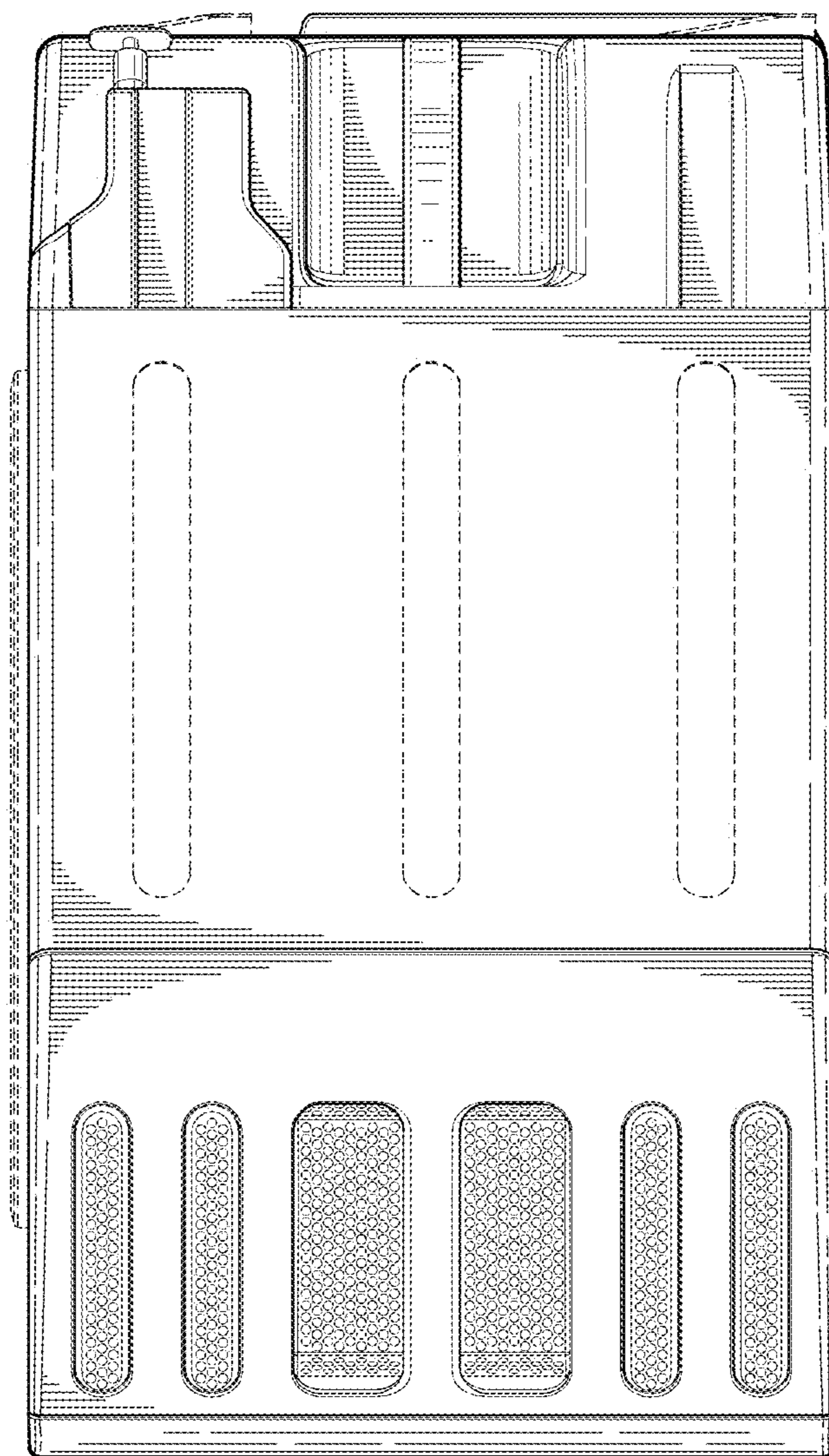


Fig. 8.