



US00D711347S

(12) **United States Design Patent**  
**Gan**

(10) **Patent No.:** **US D711,347 S**

(45) **Date of Patent:** **\*\* Aug. 19, 2014**

(54) **HEADPHONE**

(71) Applicant: **Creative Technology Ltd**, Singapore  
(SG)

(72) Inventor: **Huey Ying Gan**, Singapore (SG)

(73) Assignee: **Creative Technology Ltd**, Singapore  
(SG)

(\*\*) Term: **14 Years**

(21) Appl. No.: **29/460,014**

(22) Filed: **Jul. 6, 2013**

(30) **Foreign Application Priority Data**

Jan. 8, 2013 (SG) ..... D2013/20/A

(51) **LOC (10) Cl.** ..... **14-01**

(52) **U.S. Cl.**

CPC ..... **H04R 1/1066** (2013.01)

USPC ..... **D14/205**

(58) **Field of Classification Search**

CPC ..... H04R 1/1066

USPC ..... D14/205; D29/112; 2/209; 181/129,  
181/130, 135; 381/370, 374.38, 381;  
379/430, 431; 455/90.3, 575.2

See application file for complete search history.

(56) **References Cited**

U.S. PATENT DOCUMENTS

D347,845	S	*	6/1994	Sumikawa	.....	D14/205
D457,874	S	*	5/2002	Yoneda	.....	D14/205
D508,483	S	*	8/2005	Suzuki	.....	D14/223
D510,335	S	*	10/2005	Suzuki	.....	D14/205
D549,688	S	*	8/2007	Suzuki	.....	D14/205
D585,872	S	*	2/2009	Lee	.....	D14/205
D597,070	S	*	7/2009	Zheng	.....	D14/205
D600,674	S	*	9/2009	Brennwald	.....	D14/205
D637,579	S	*	5/2011	Hamaura et al.	.....	D14/205
7,940,924	B2	*	5/2011	Amae	.....	379/430
D673,521	S	*	1/2013	Yoneyama et al.	.....	D14/205
D673,522	S	*	1/2013	Iijima	.....	D14/205
D691,583	S	*	10/2013	Kitayama	.....	D14/205

\* cited by examiner

*Primary Examiner* — Paula Greene

(74) *Attorney, Agent, or Firm* — Russell Swerdon; Desmond Gean

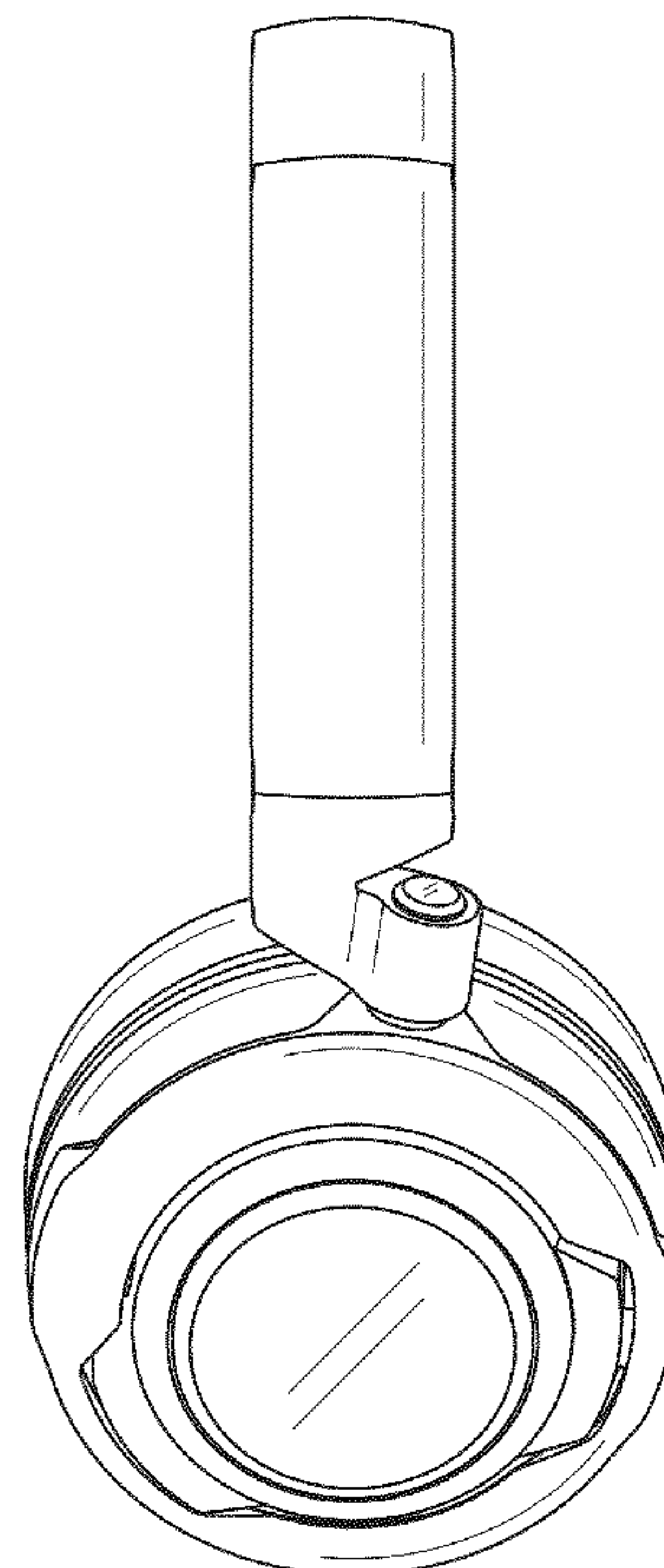
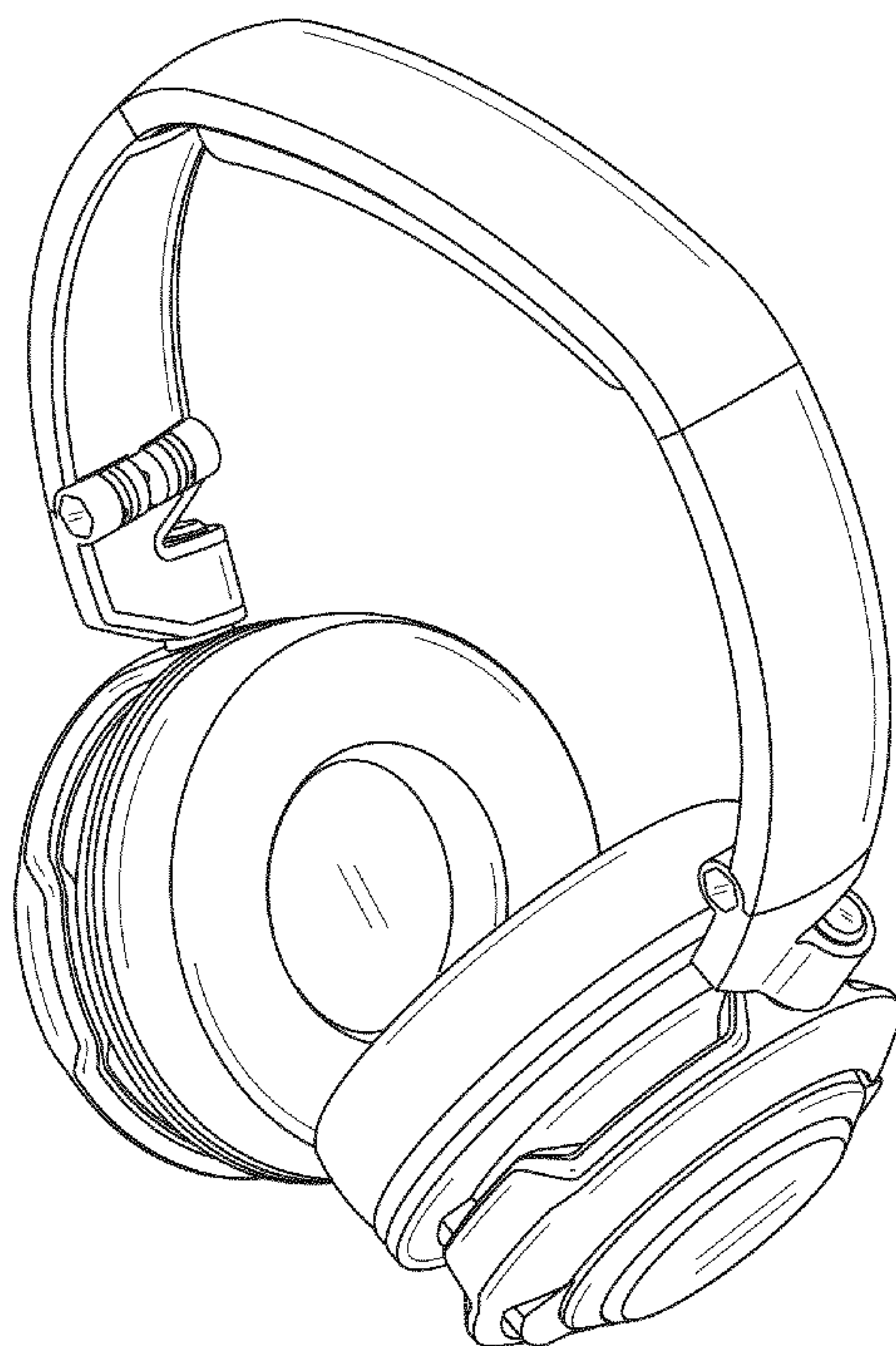
(57) **CLAIM**

The ornamental design for a headphone, substantially as shown and described.

**DESCRIPTION**

FIG. 1 is a front top right side perspective view of a headphone showing our new design;  
FIG. 2 is a rear top left side perspective view thereof;  
FIG. 3 is a front elevational view thereof;  
FIG. 4 is a rear elevational view thereof;  
FIG. 5 is a right side elevational view thereof;  
FIG. 6 is a left side elevational view thereof;  
FIG. 7 is a top plan view thereof; and,  
FIG. 8 is a bottom plan view thereof.

**1 Claim, 8 Drawing Sheets**



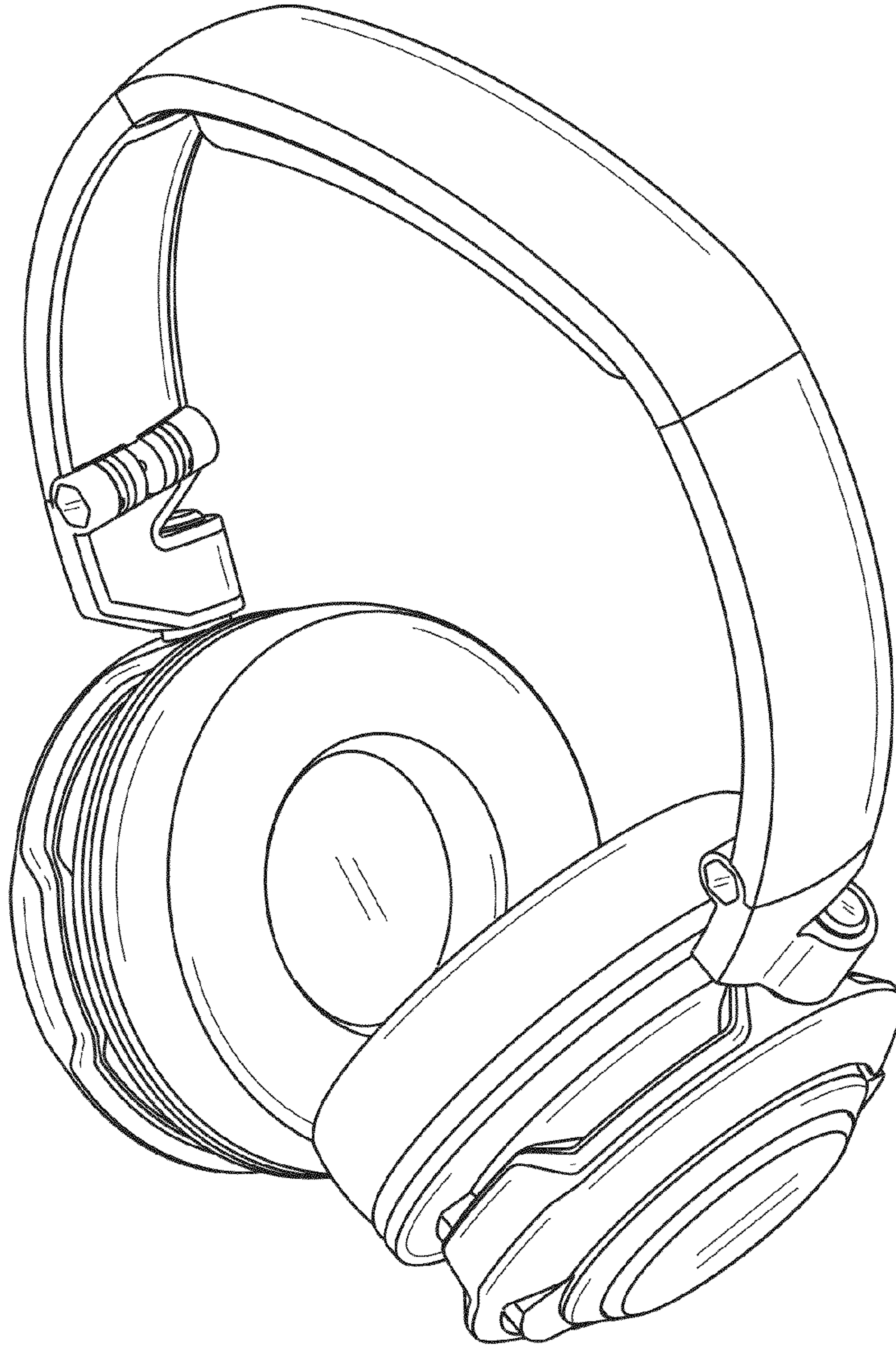


FIG. 1



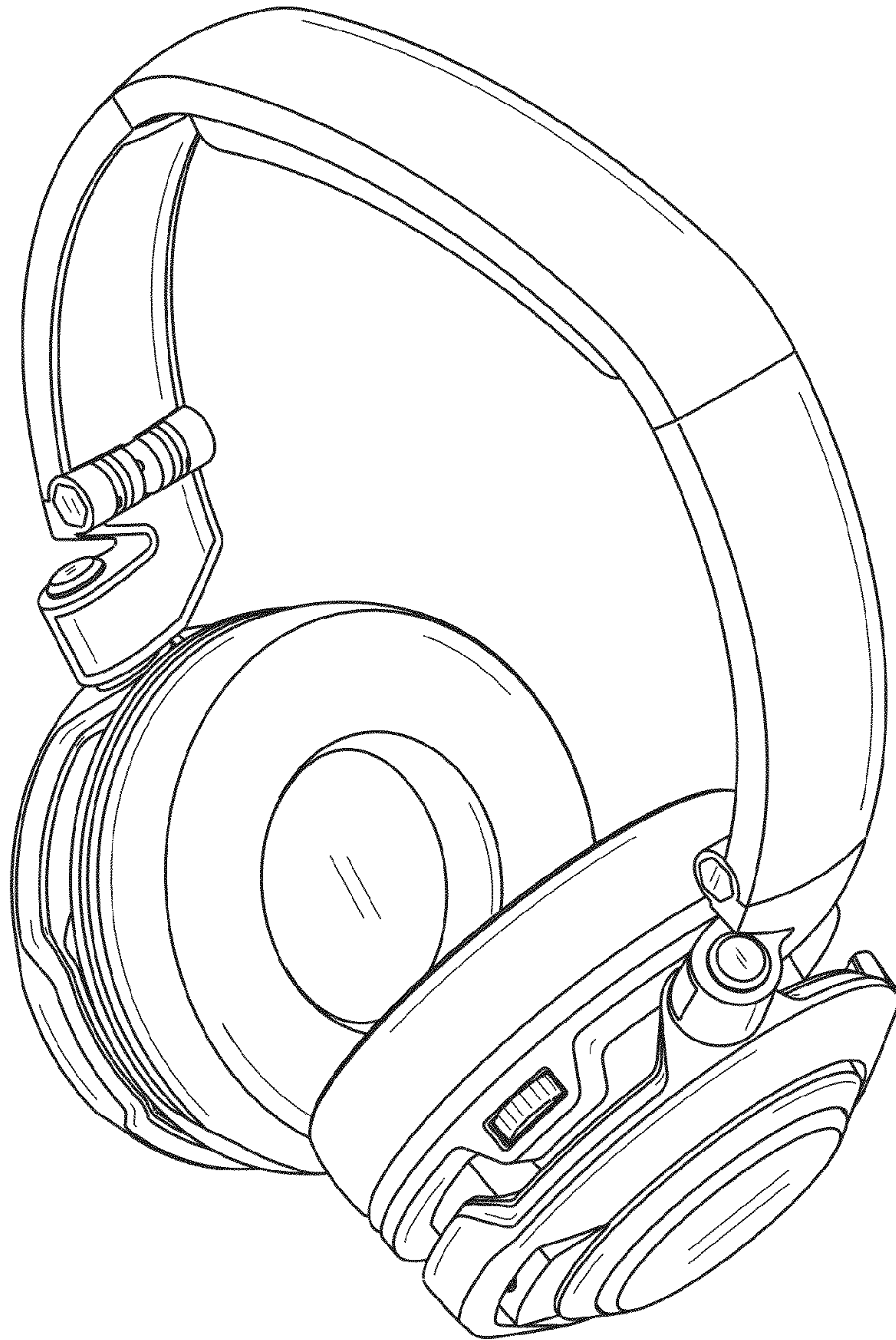


FIG. 2

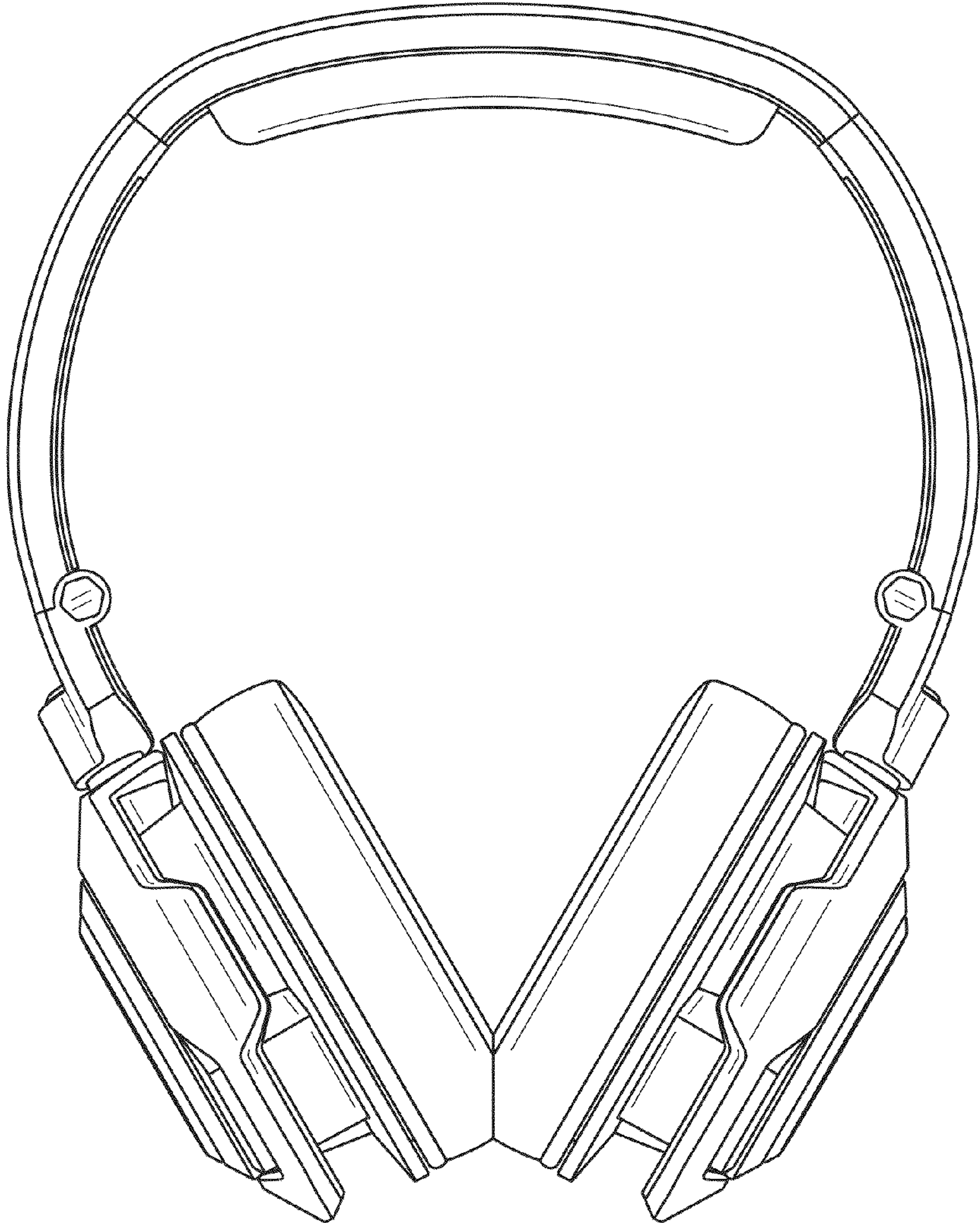


FIG. 3

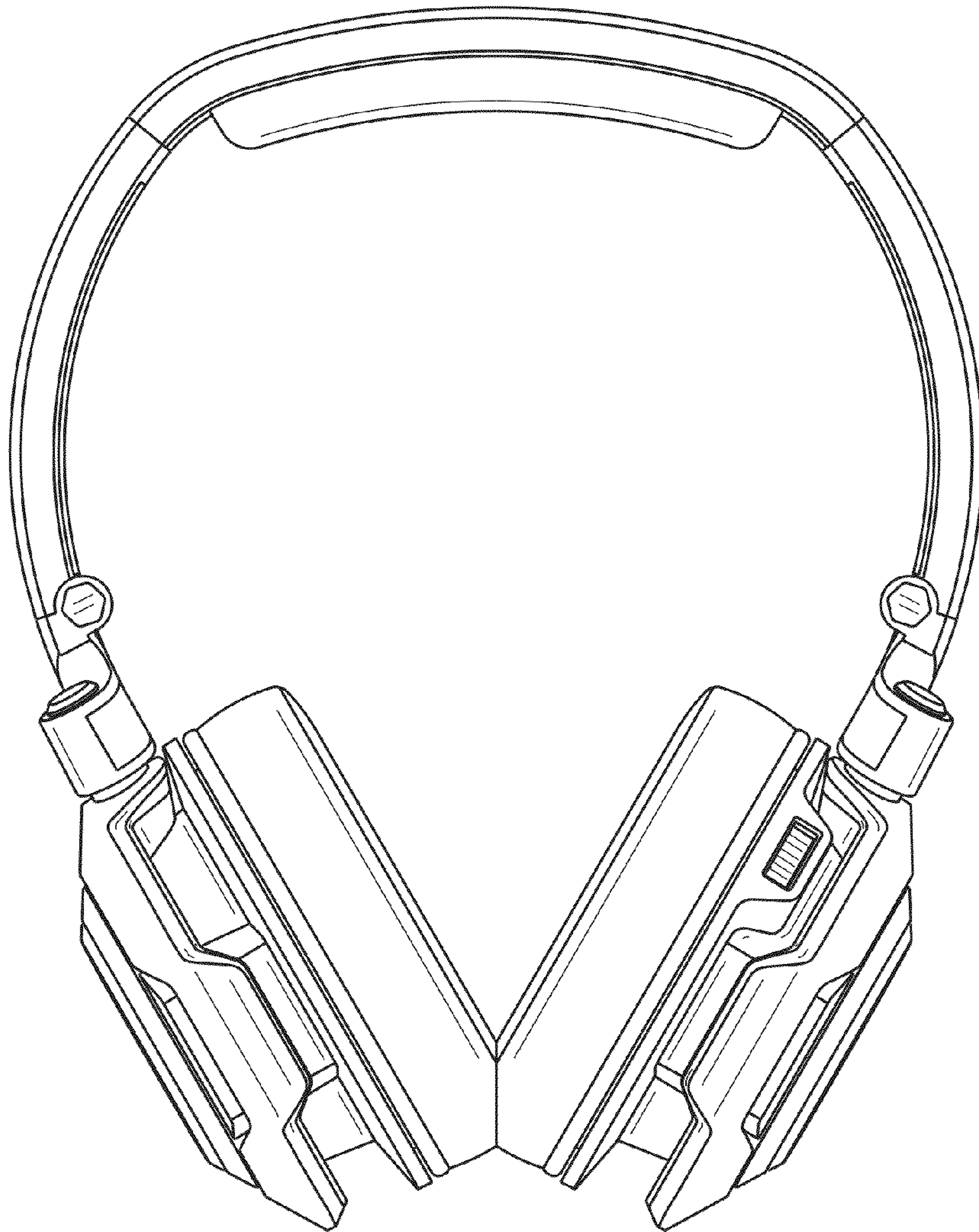


FIG. 4



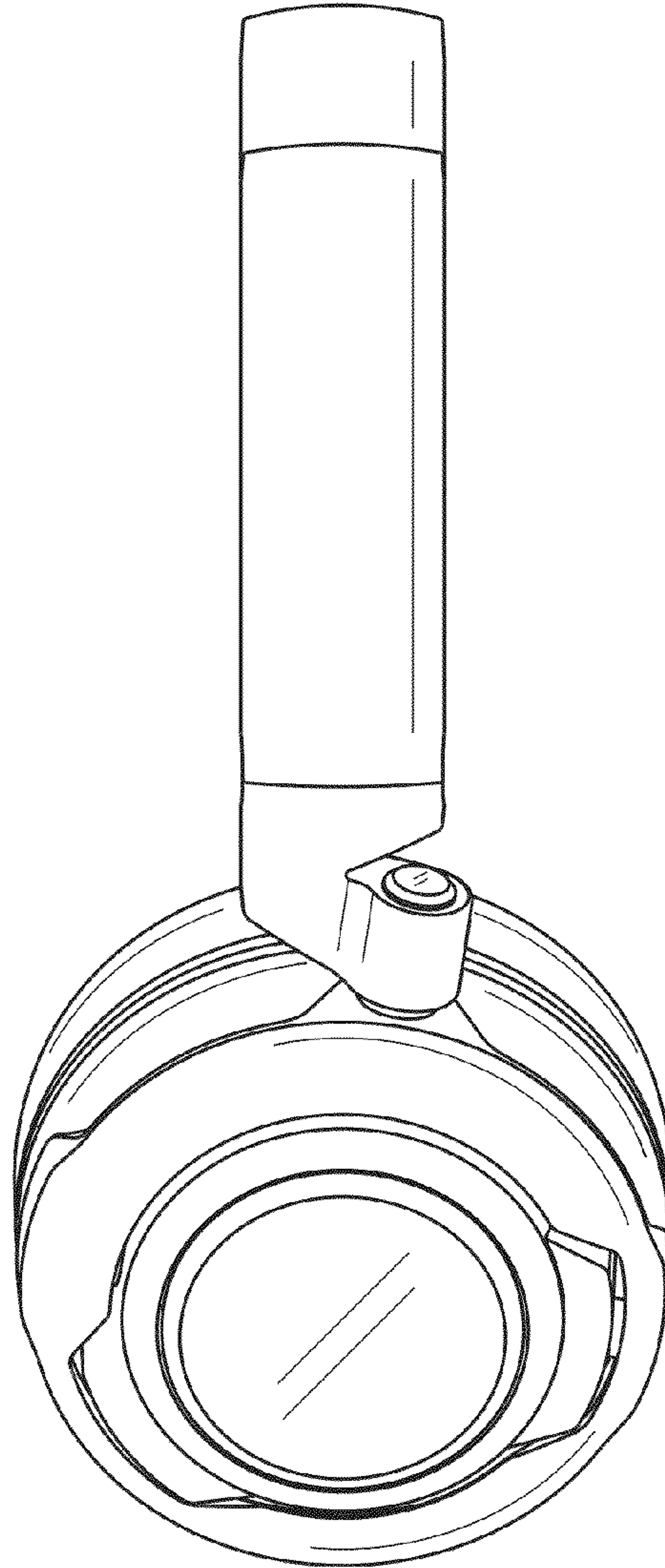


FIG. 5

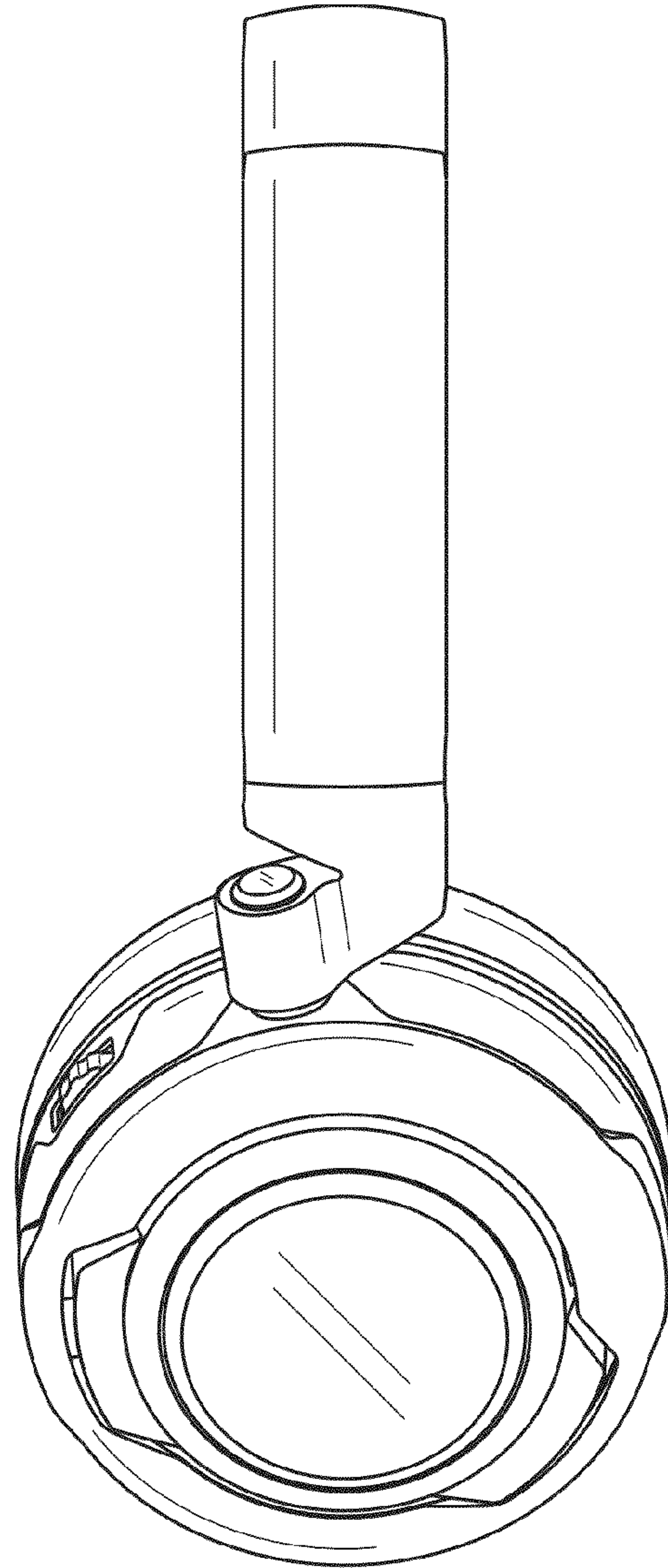


FIG. 6

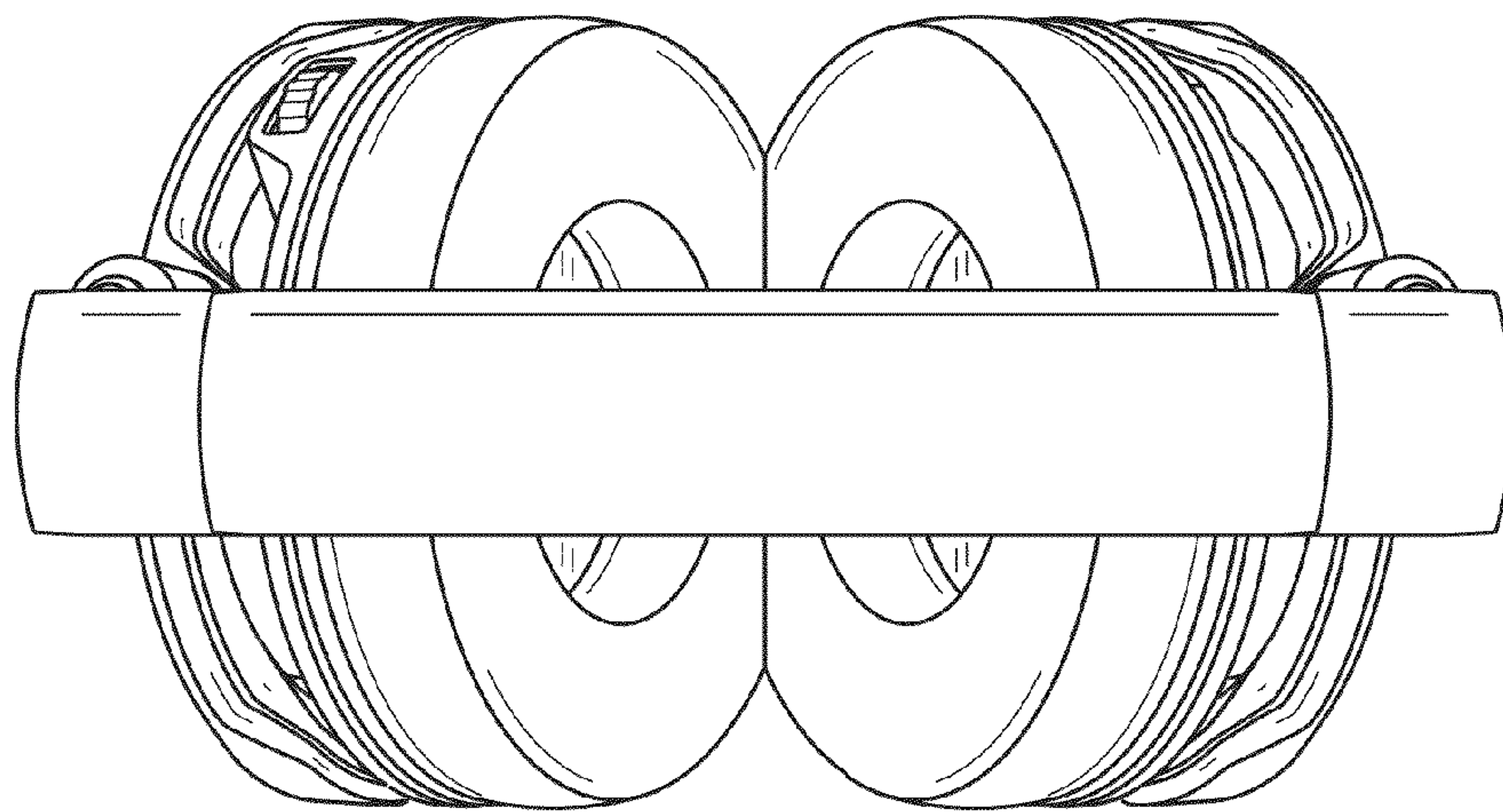


FIG. 7



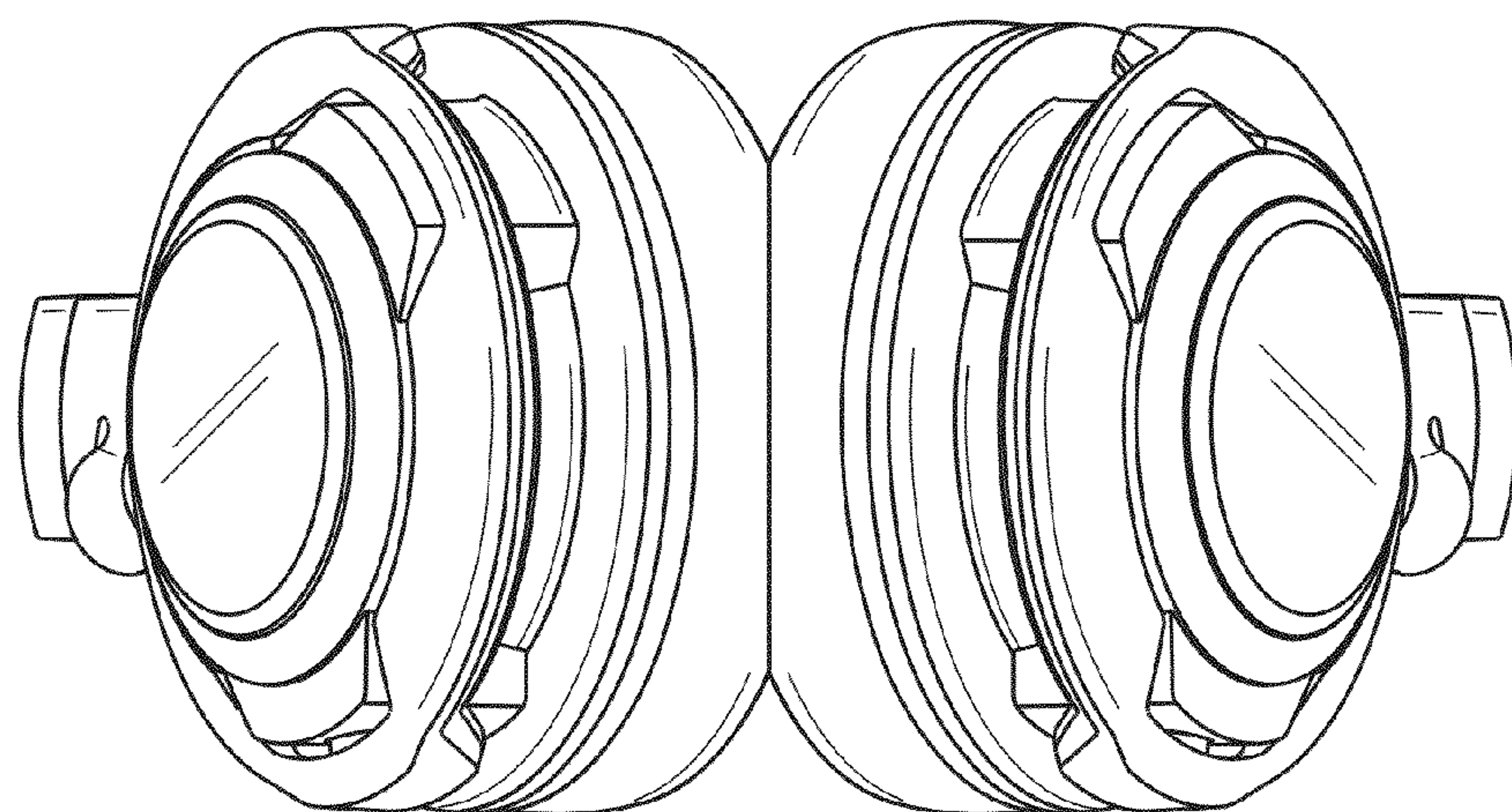


FIG. 8