



US00D711346S

(12) **United States Design Patent**  
**Ismail et al.**

(10) **Patent No.:** **US D711,346 S**  
(45) **Date of Patent:** **\*\* Aug. 19, 2014**

(54) **PAGER DEVICE**

(71) Applicant: **Motorola Solutions, Inc.**, Schaumburg, IL (US)

(72) Inventors: **Jaihar Jailani Ismail**, Jonor (MY);  
**Lanting L. Garra**, Sunrise, FL (US);  
**Lin Ye**, Plantation, FL (US)

(73) Assignee: **Motorola Solutions, Inc.**, Schaumburg, IL (US)

(\*\*) Term: **14 Years**

(21) Appl. No.: **29/462,146**

(22) Filed: **Jul. 31, 2013**

(51) **LOC (10) Cl.** ..... **14-03**

(52) **U.S. Cl.**  
USPC ..... **D14/191; D14/137**

(58) **Field of Classification Search**  
CPC ..... G08B 3/00; G08B 3/1008; G08B 3/1025;  
G08B 3/1058; H04M 11/022; H04N 7/147;  
H05K 5/00  
USPC ..... 455/90.1-90.3, 3.01-3.06, 91, 95, 100,  
455/128, 351; 340/7.1, 7.2, 7.57, 7.6, 7.62,  
340/7.63

See application file for complete search history.

(56) **References Cited**

**U.S. PATENT DOCUMENTS**

D278,905 S \* 5/1985 Scheid et al. .... D14/191  
D392,971 S \* 3/1998 Pisutha-Arnond et al. .. D14/191  
D416,252 S \* 11/1999 Haase et al. .... D14/137  
D423,011 S \* 4/2000 Goldenberg et al. .... D14/191

D467,566 S \* 12/2002 Mirabelli et al. .... D14/137  
D477,816 S \* 7/2003 Yahaya et al. .... D14/137  
D490,786 S \* 6/2004 Richards et al. .... D14/137  
D496,347 S \* 9/2004 Choi et al. .... D14/191  
D510,332 S \* 10/2005 Haase et al. .... D14/137  
D540,764 S \* 4/2007 Kaner et al. .... D14/137  
D540,774 S \* 4/2007 Alwicker et al. .... D14/155  
D571,757 S \* 6/2008 Kesler et al. .... D14/137  
D576,980 S \* 9/2008 Onoue ..... D14/137  
D651,997 S \* 1/2012 Oikawa ..... D14/137  
D654,035 S \* 2/2012 Ismail et al. .... D14/137  
D700,157 S \* 2/2014 Kang et al. .... D14/137  
D700,158 S \* 2/2014 Kang et al. .... D14/137

\* cited by examiner

*Primary Examiner* — Keli L Hill

(74) *Attorney, Agent, or Firm* — Barbara R. Doutre

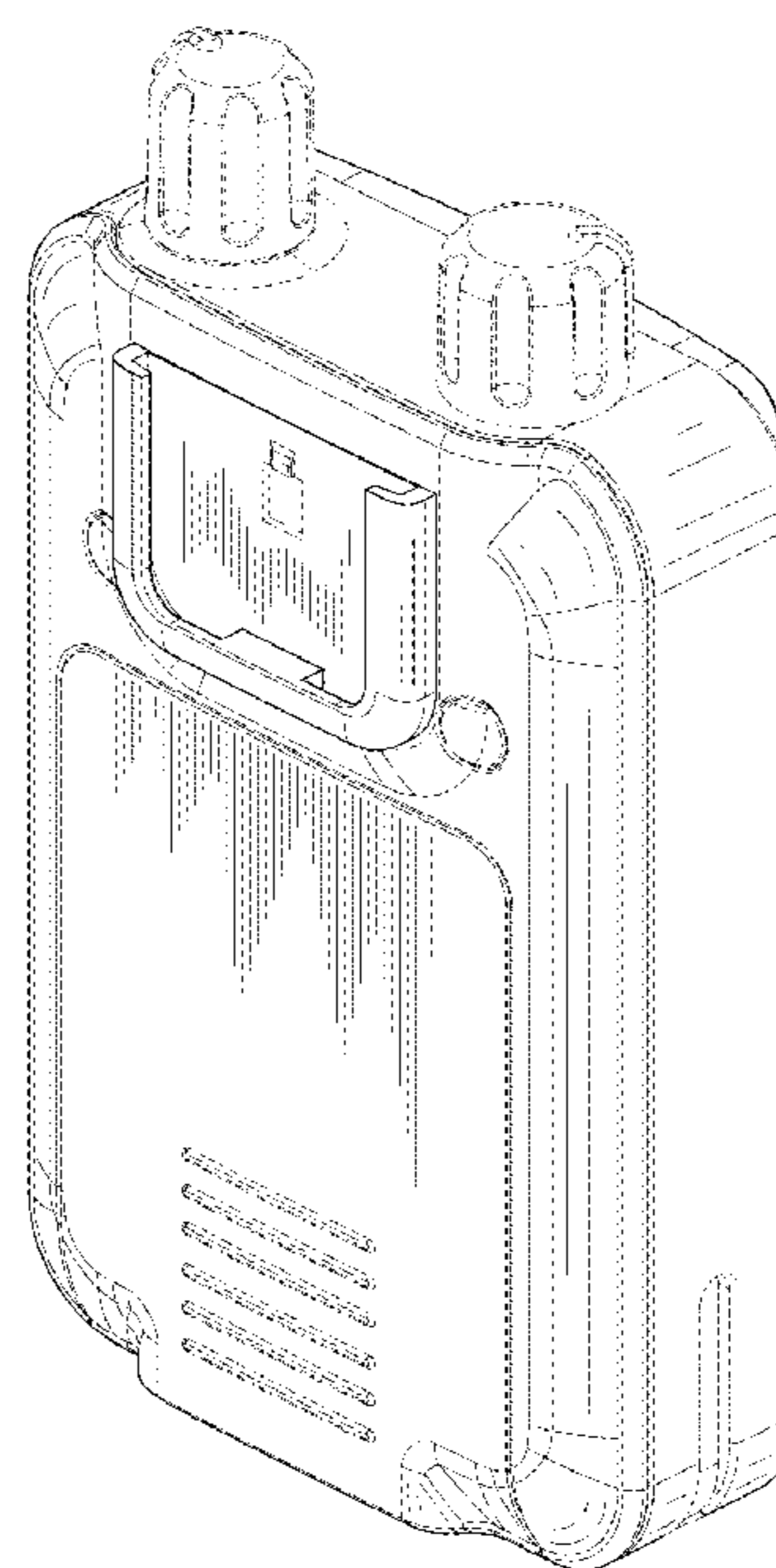
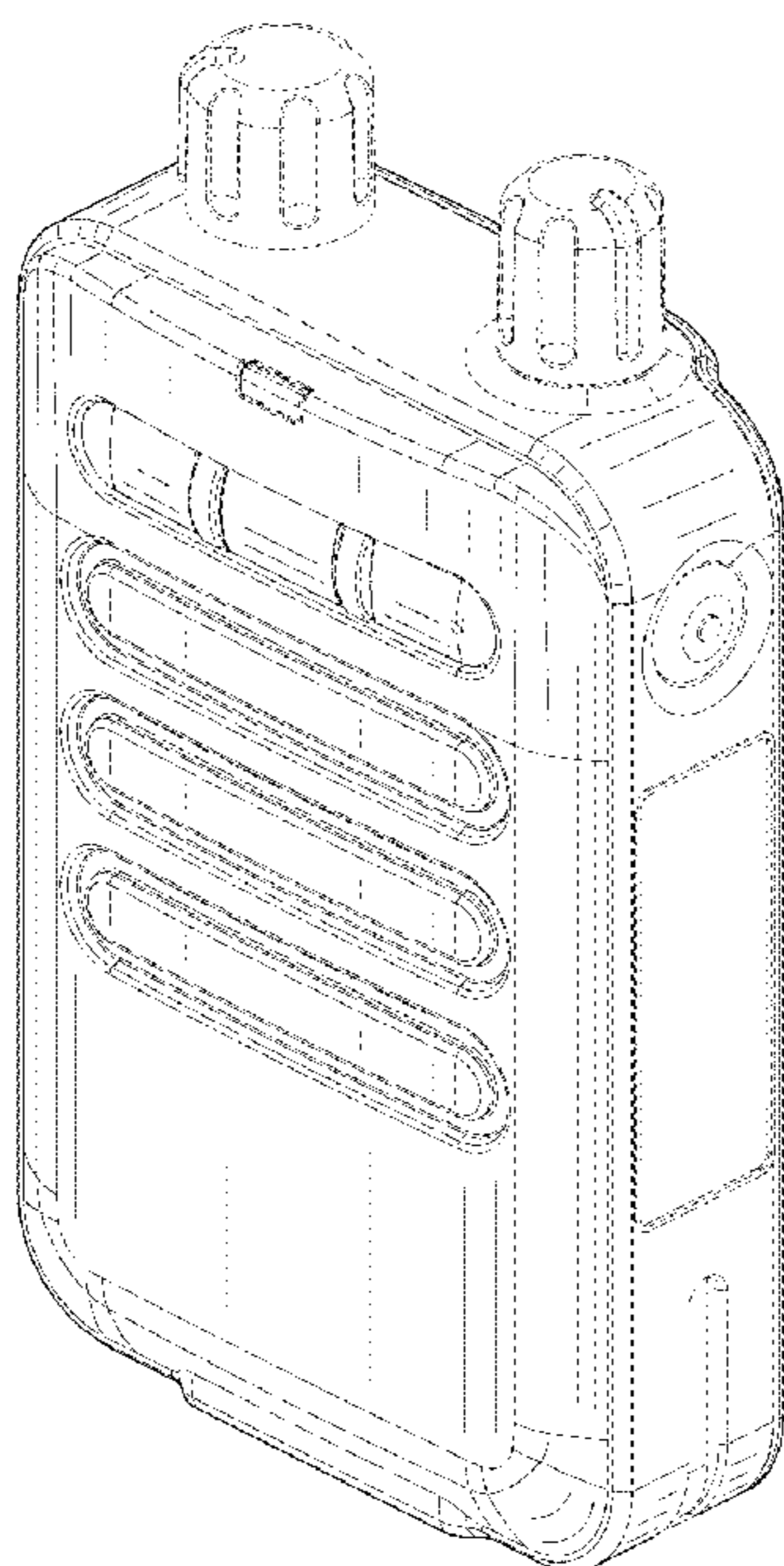
(57) **CLAIM**

The ornamental design for a pager device, as shown and described.

**DESCRIPTION**

FIG. 1 is a front perspective view of an ornamental design for a pager device;  
FIG. 2 is a rear perspective view thereof;  
FIG. 3 is a front view thereof;  
FIG. 4 is a rear view thereof;  
FIG. 5 is a first side view thereof;  
FIG. 6 is a second side view thereof;  
FIG. 7 is a top view thereof; and,  
FIG. 8 is a bottom view thereof.  
The broken lines shown in FIGS. 1-8 are included for the purpose of illustrating environmental elements only and form no part of the claimed design.

**1 Claim, 6 Drawing Sheets**



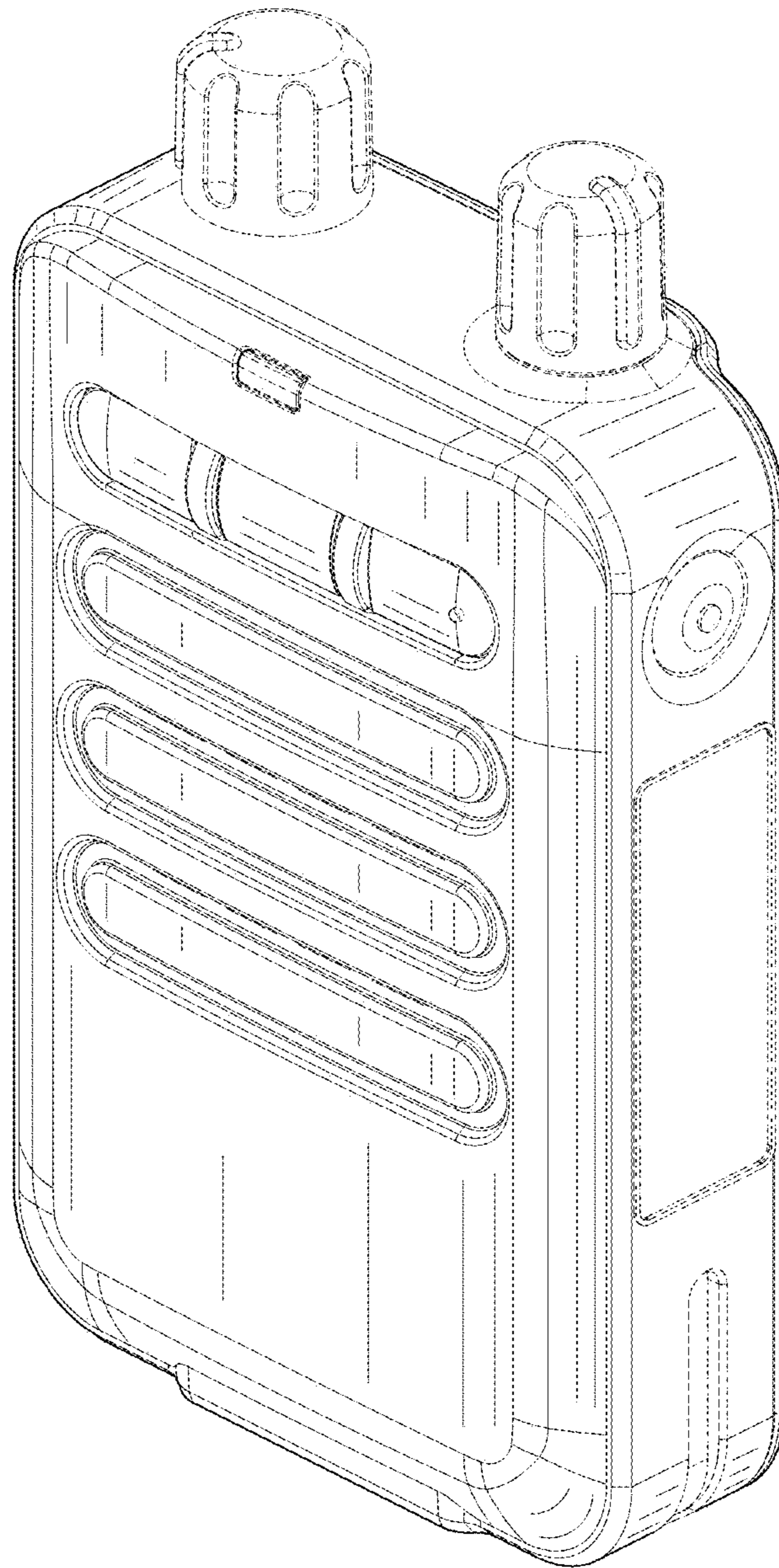


FIG. 1

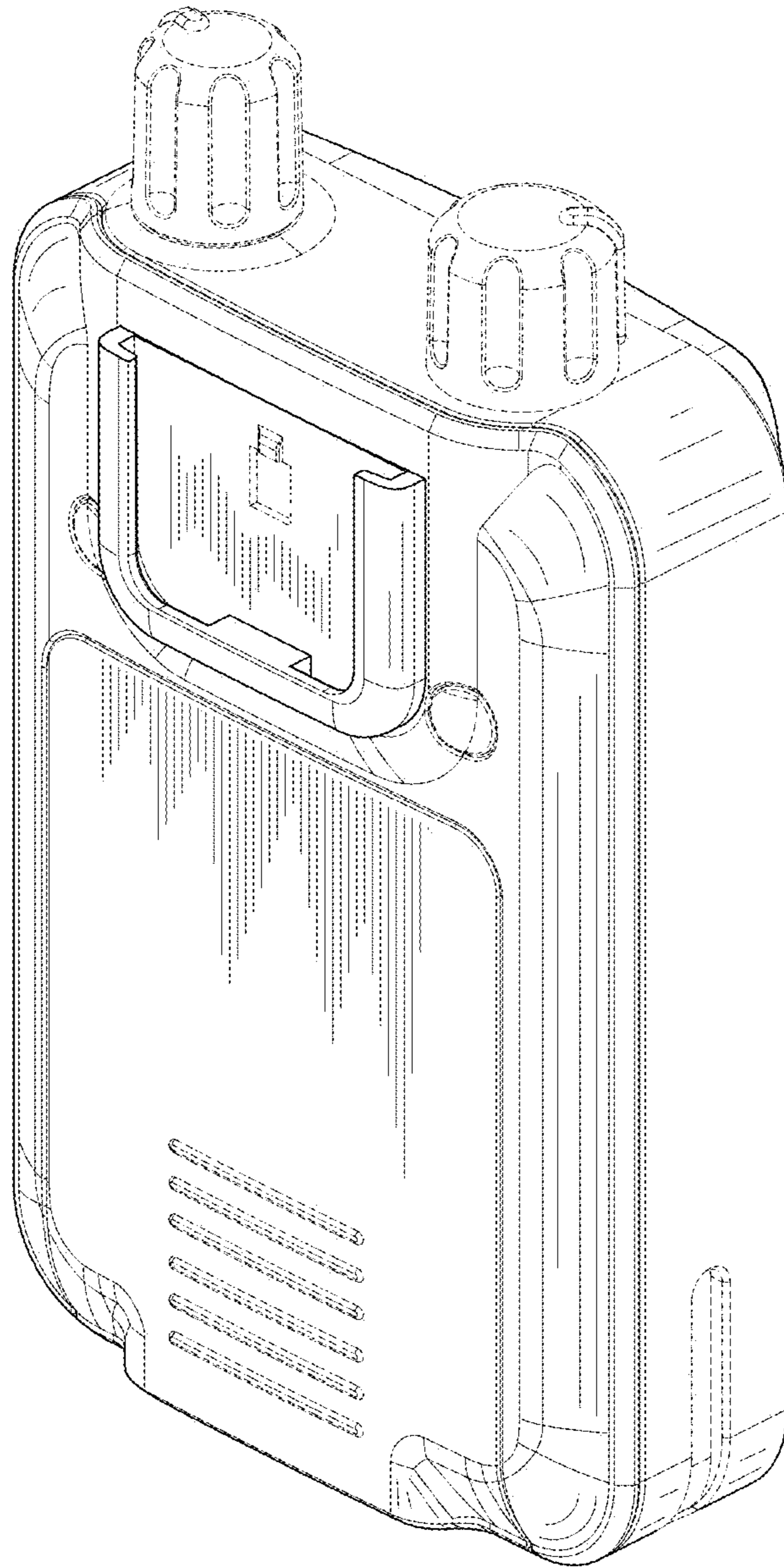


FIG. 2

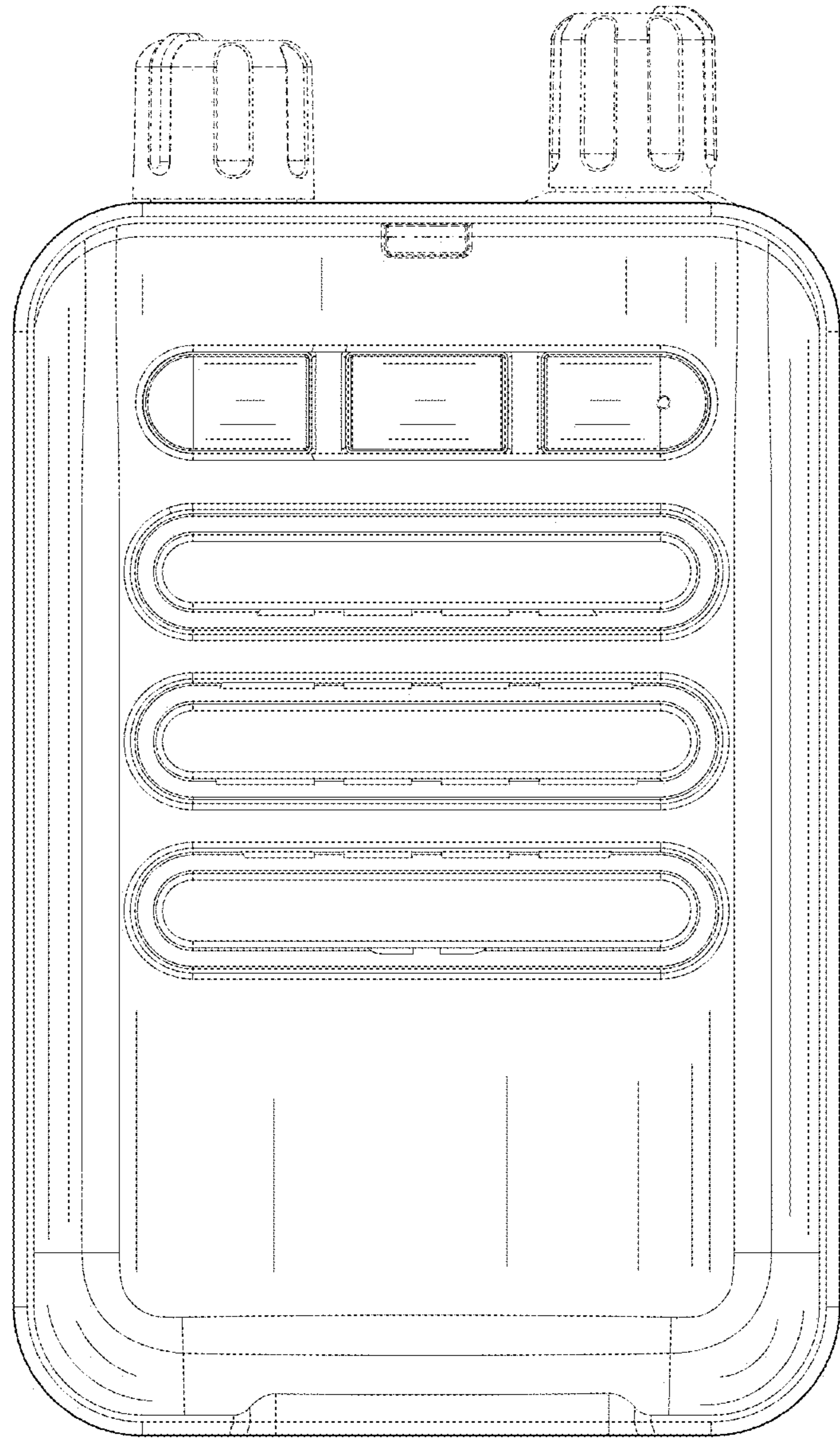


FIG. 3

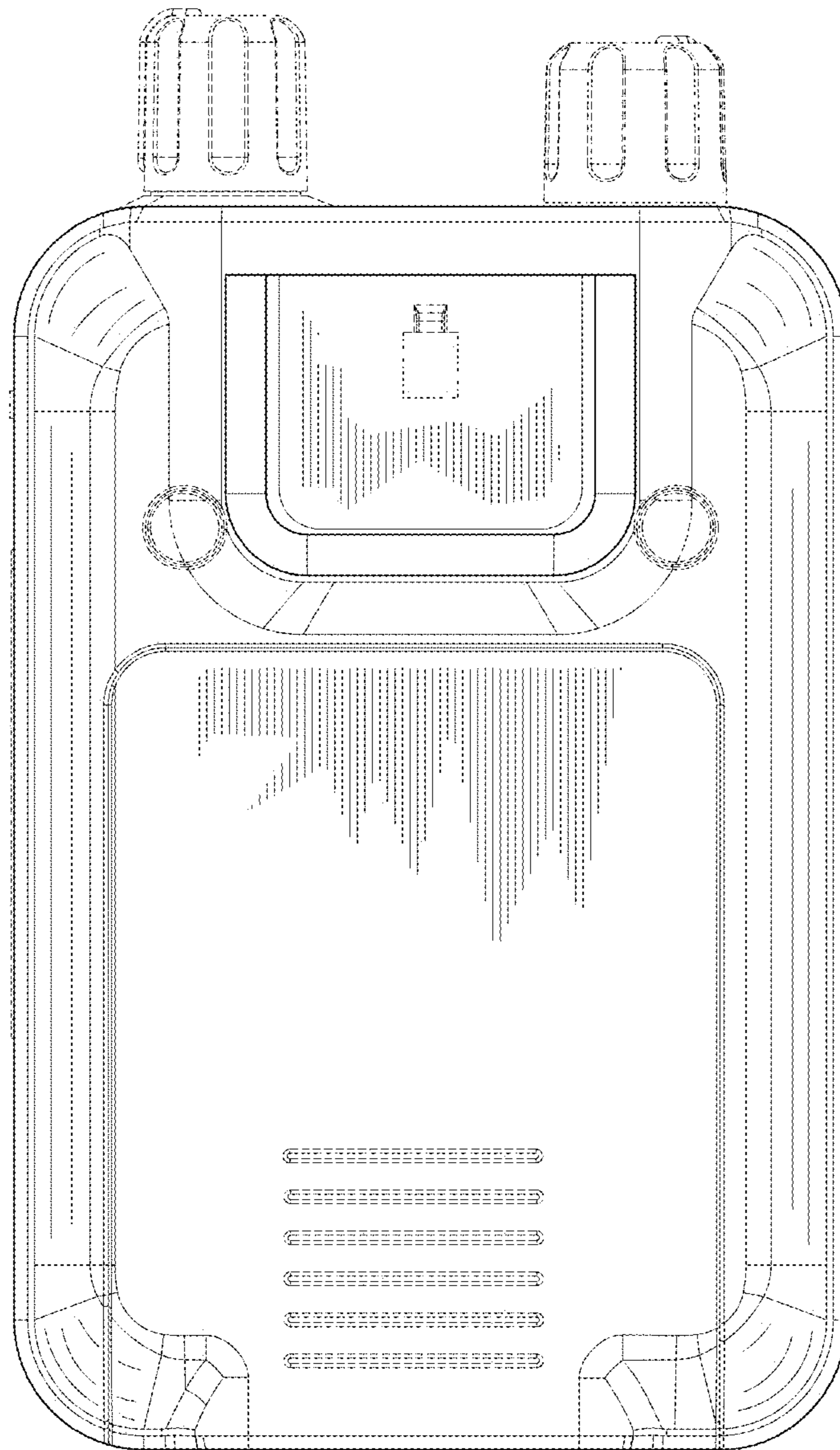


FIG. 4

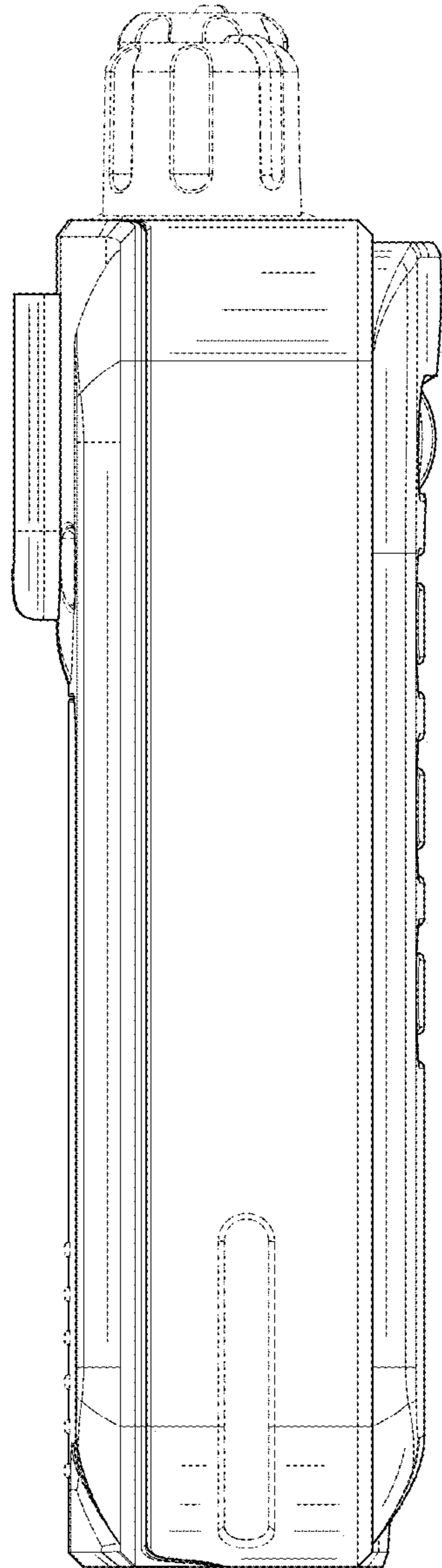


FIG. 5

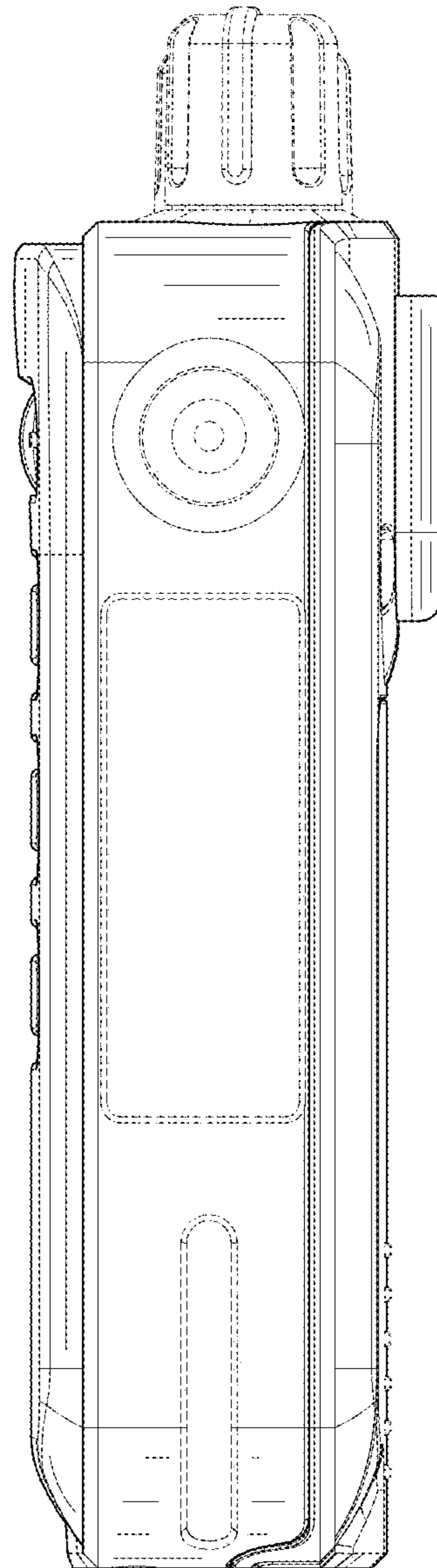


FIG. 6

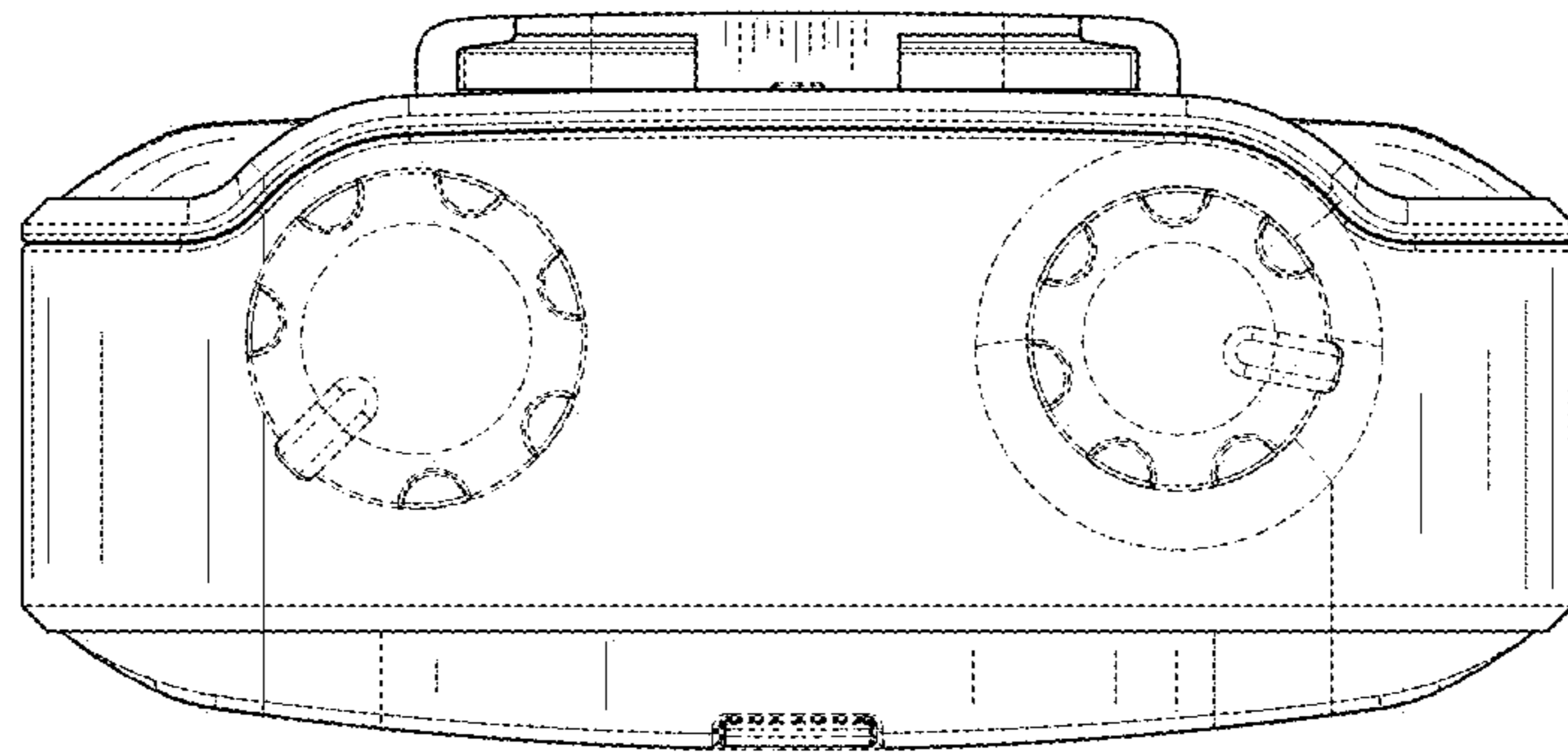


FIG. 7

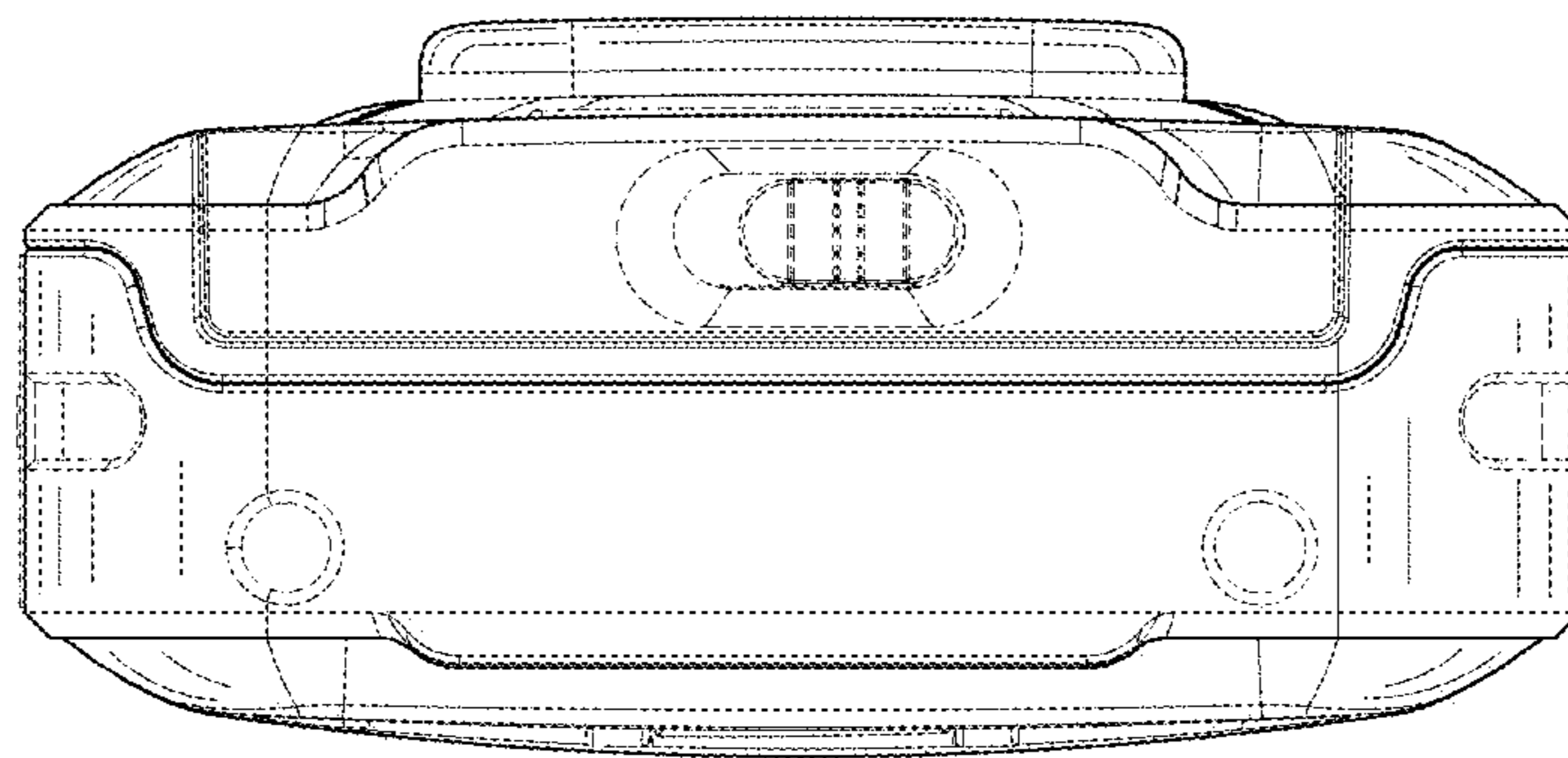


FIG. 8