



US00D711344S

(12) **United States Design Patent**
Aarrestad et al.

(10) **Patent No.:** **US D711,344 S**

(45) **Date of Patent:** **** Aug. 19, 2014**

(54) **CODEC DEVICE**

(75) Inventors: **Glenn Robert Aarrestad**, Oslo (NO);
Jorunn Tysso, Oslo (NO)

(73) Assignee: **Cisco Technology, Inc.**, San Jose, CA
(US)

(**) Term: **14 Years**

(21) Appl. No.: **29/417,708**

(22) Filed: **Apr. 6, 2012**

(30) **Foreign Application Priority Data**

Oct. 6, 2011 (NO) 20110810

(51) **LOC (10) Cl.** **14-03**

(52) **U.S. Cl.**
USPC **D14/140**

(58) **Field of Classification Search**
CPC G06F 3/016; G06F 3/11; G06F 3/038;
G06F 1/1626; G06F 1/169; G06F 1/1656;
H04M 1/23

USPC D14/137, 138, 140, 160, 168, 203,
D14/203.1–203.8, 217, 356, 401, 435, 474,
D14/483, 496, 507; 345/156, 169, 173–179,
345/905; 715/727–729, 864, 1, 5, 8; 713/1,
713/600; 455/1.1, 1.7, 73, 344–347, 93, 95,
455/3.01–3.06, 550.1, 573.1; 370/342–344;
369/1, 2, 6–12; 463/43–47; 273/148 B

See application file for complete search history.

(56) **References Cited**

U.S. PATENT DOCUMENTS

D380,475 S * 7/1997 Rasmussen D14/240
D514,562 S * 2/2006 Lu et al. D14/356

D540,793 S * 4/2007 Kim et al. D14/358
D594,864 S * 6/2009 Song D14/358
D595,735 S * 7/2009 Green D14/496
D626,951 S * 11/2010 Ding D14/240
D644,247 S * 8/2011 Kim et al. D14/496
D644,248 S * 8/2011 Kim et al. D14/496
D646,670 S * 10/2011 Tysso D14/250
D683,765 S * 6/2013 Ahn et al. D14/496
D684,193 S * 6/2013 Maier et al. D14/496
D684,594 S * 6/2013 Maier et al. D14/496
D686,206 S * 7/2013 Wu et al. D14/358
D695,727 S * 12/2013 Shimizu D14/240

* cited by examiner

Primary Examiner — Thomas Johannes

Assistant Examiner — Holly E Thurman

(74) *Attorney, Agent, or Firm* — Oblon, Spivak,
McClelland, Maier & Neustadt, L.L.P.

(57) **CLAIM**

The ornamental design for a codec device, as shown and described.

DESCRIPTION

FIG. 1 is a front, top, and right side perspective view of a codec device;

FIG. 2 is a rear, top, and right side perspective view thereof;

FIG. 3 is a front elevational view thereof;

FIG. 4 is a rear elevational view thereof;

FIG. 5 is a bottom plan view thereof;

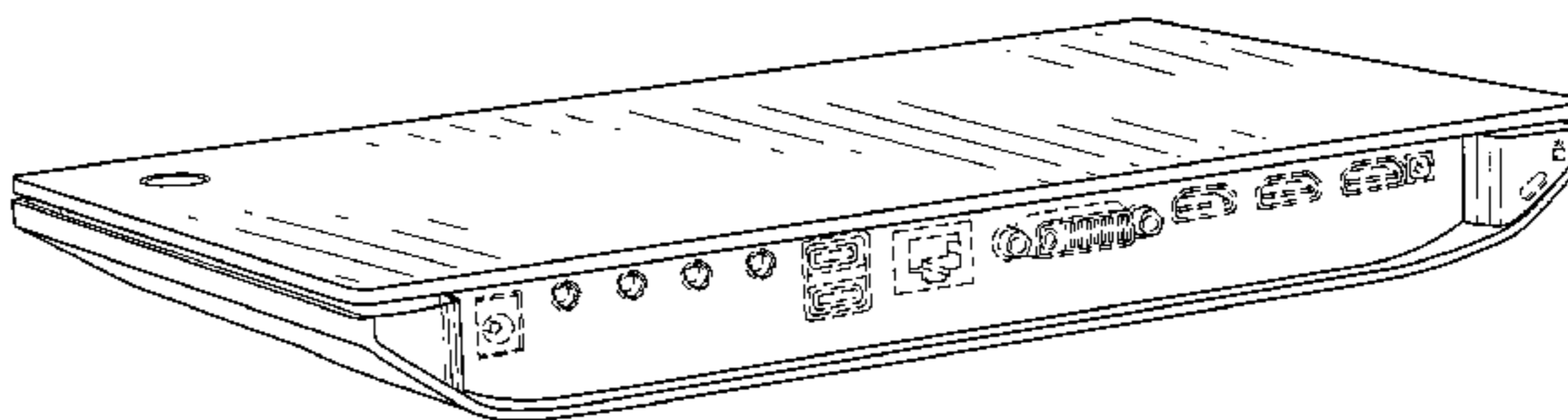
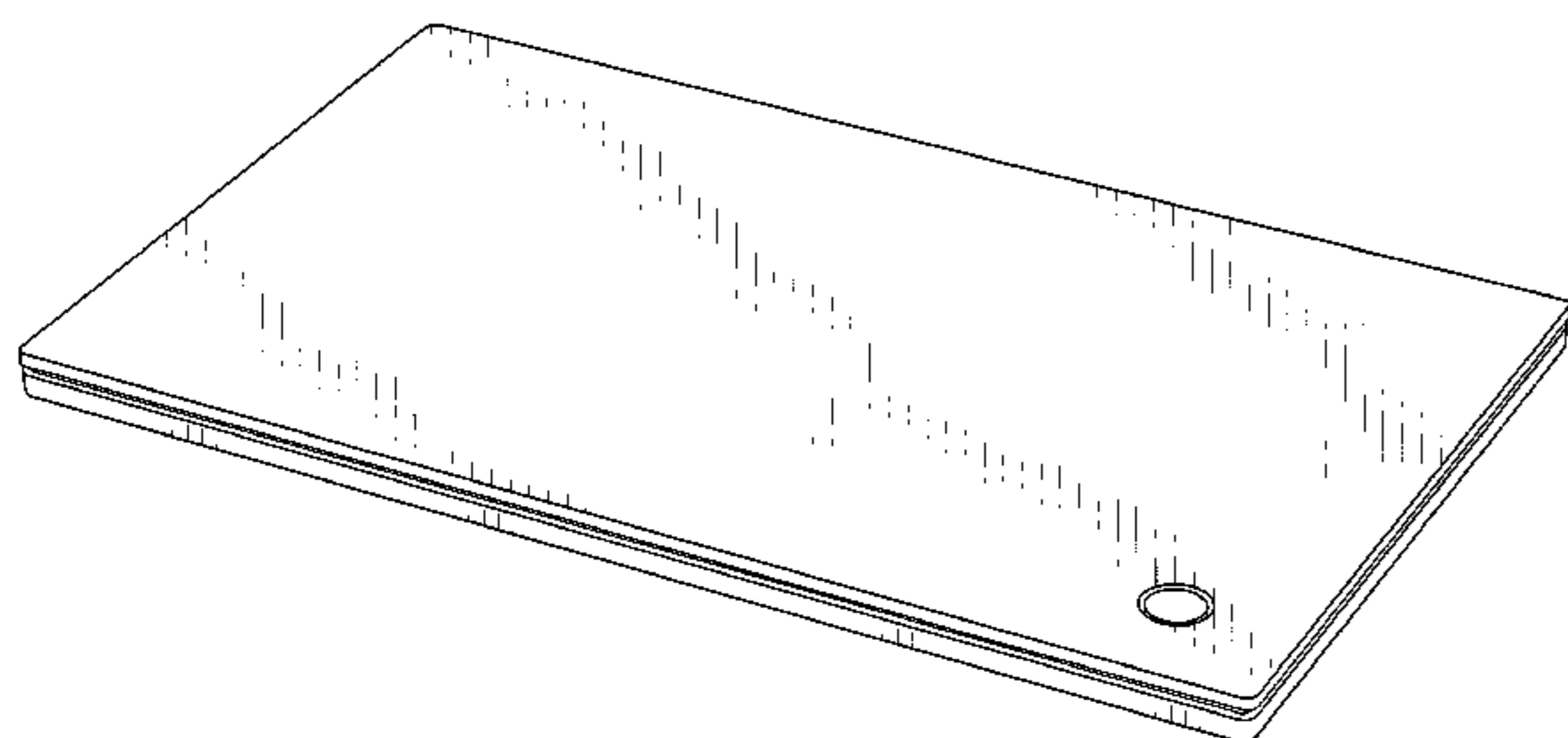
FIG. 6 is a top plan view thereof;

FIG. 7 is a left side elevational view thereof; and,

FIG. 8 is a right side elevational view thereof.

The broken lines in the drawings depict unclaimed environmental subject matter only and form no part of the claimed design.

1 Claim, 8 Drawing Sheets



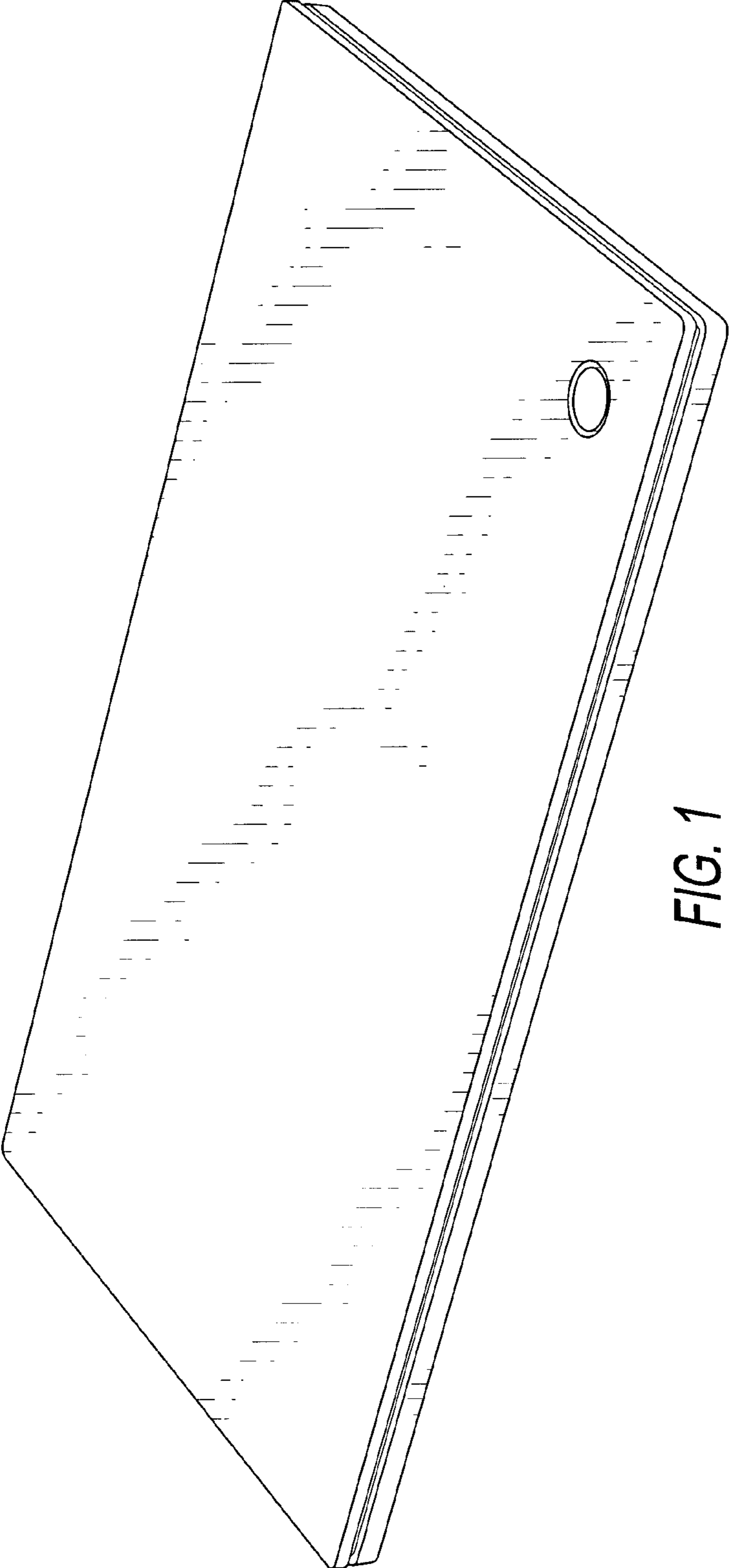


FIG. 1

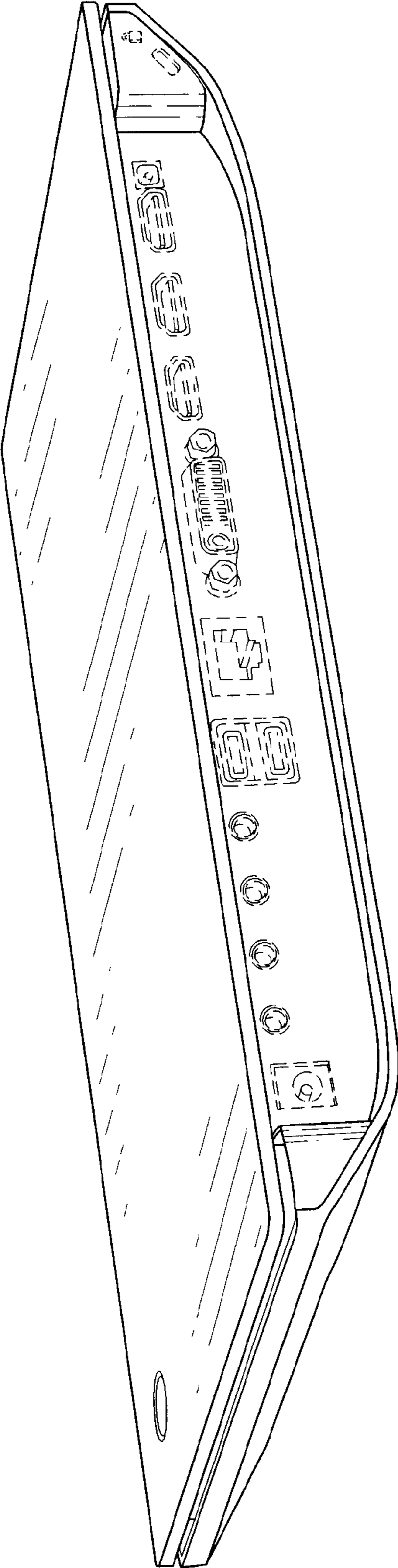


FIG. 2

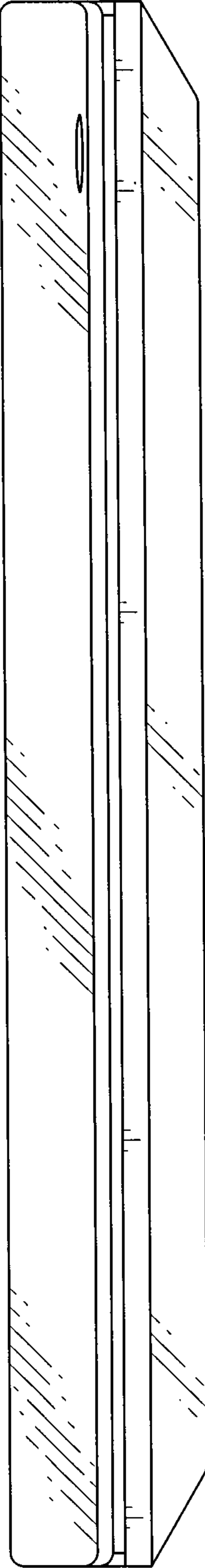


FIG. 3

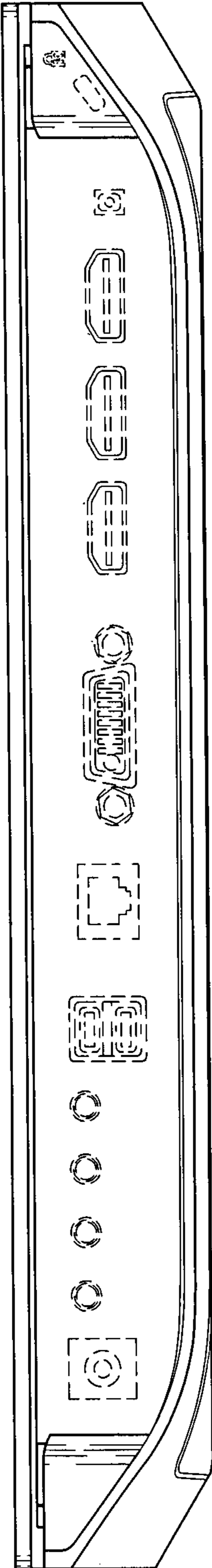


FIG. 4

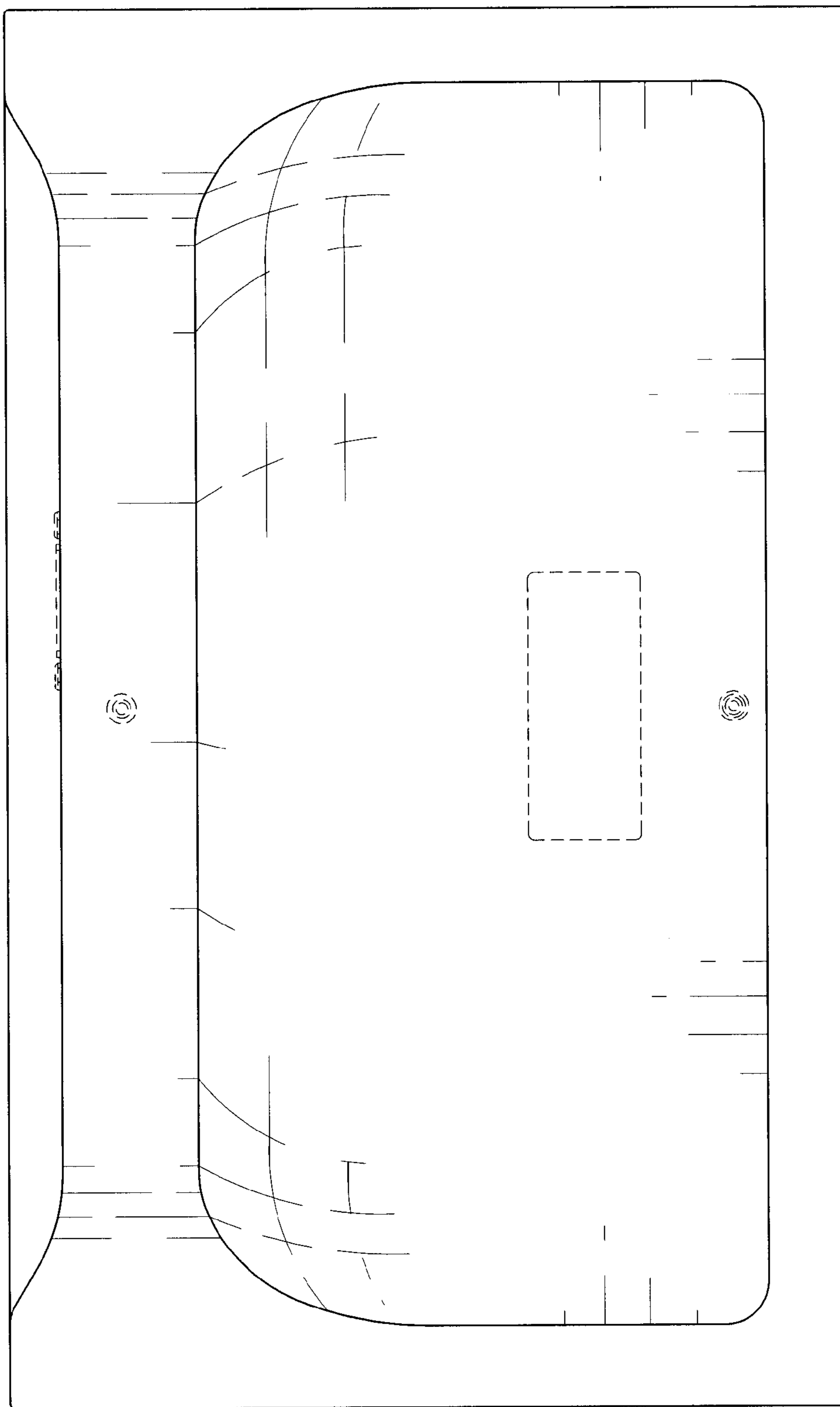


FIG. 5

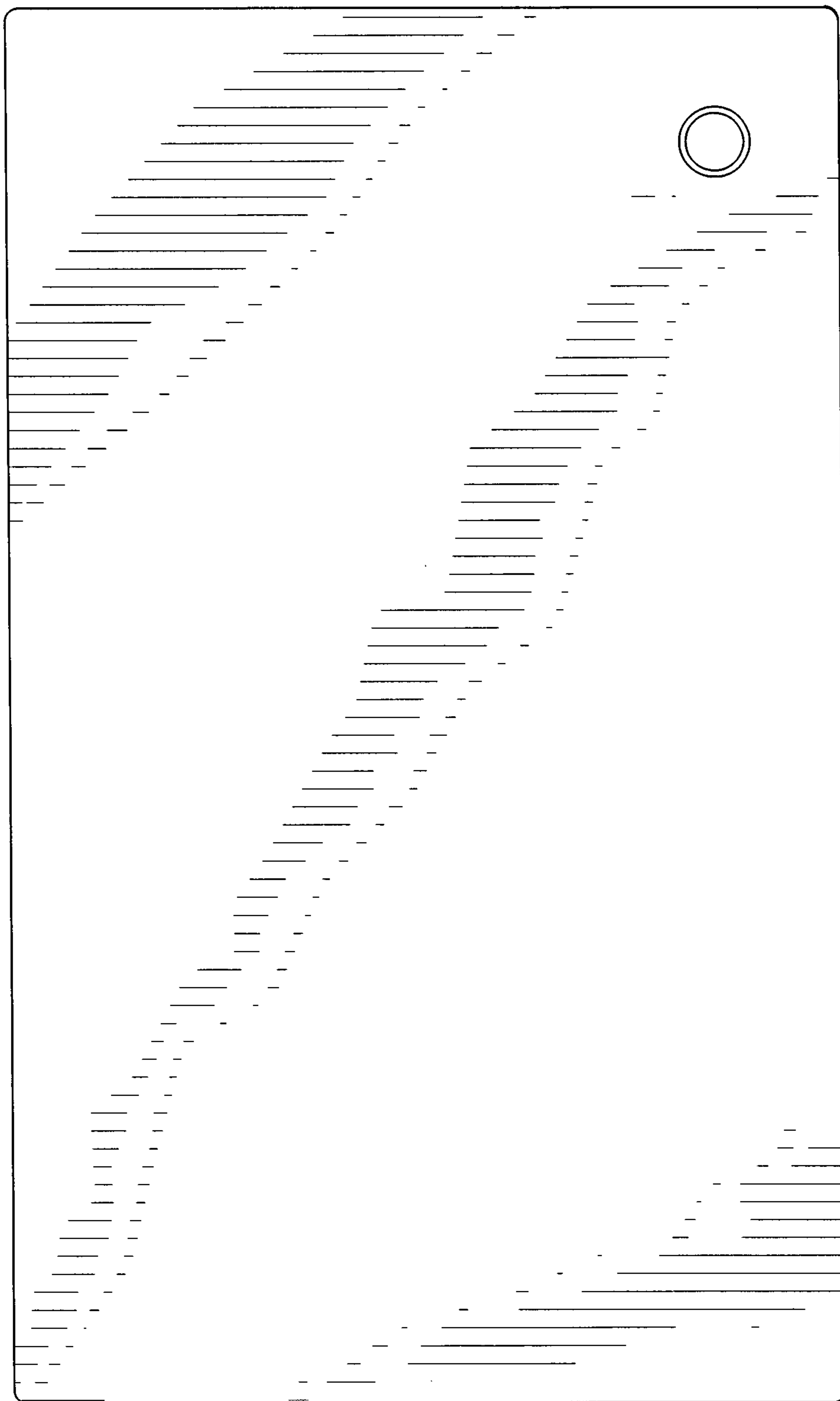


FIG. 6

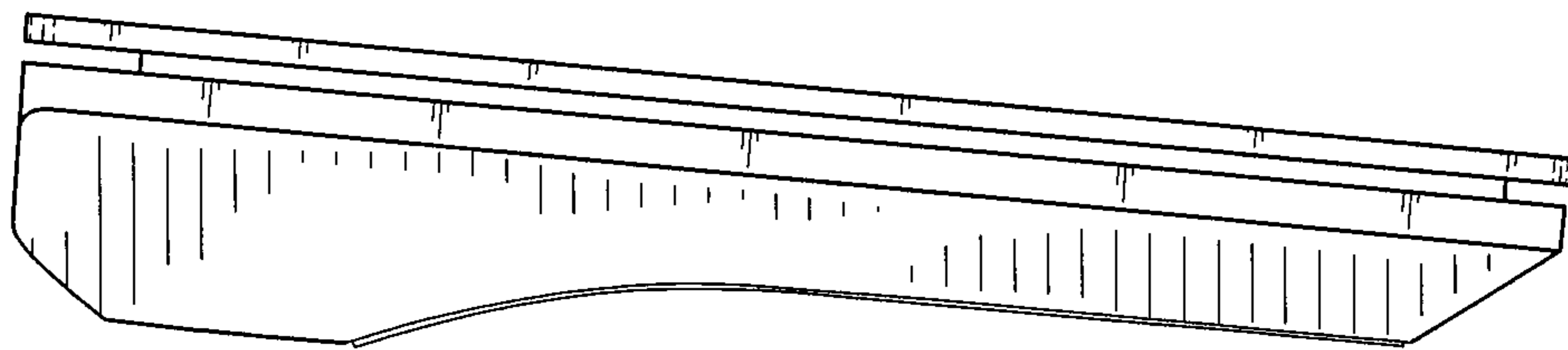


FIG. 7

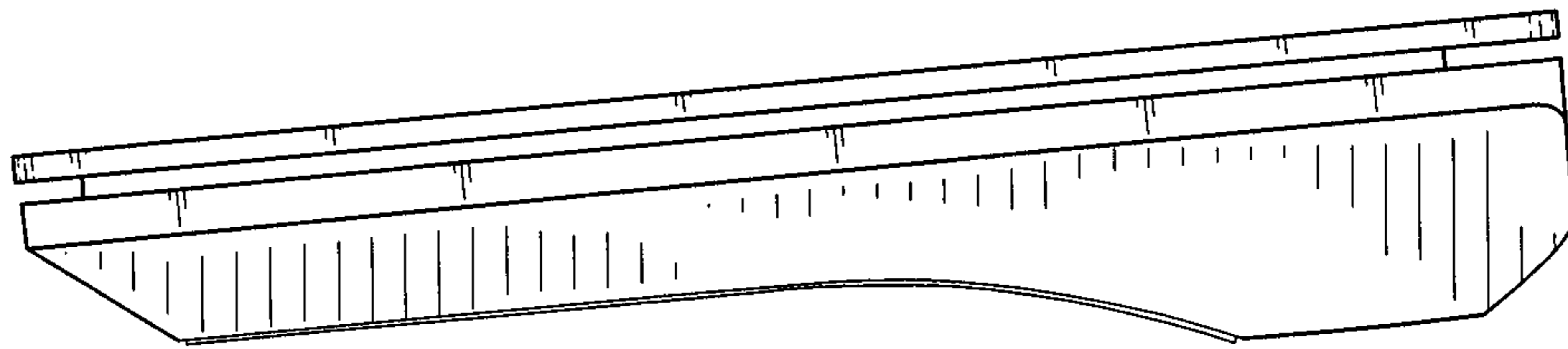


FIG. 8