



US00D711334S

(12) **United States Design Patent**  
**Roka**

(10) **Patent No.:** **US D711,334 S**

(45) **Date of Patent:** **\*\* Aug. 19, 2014**

(54) **MOBILE COMMUNICATIONS DEVICE**

(75) Inventor: **Pujan K. Roka**, Alpharetta, GA (US)

(73) Assignee: **Cox Communications, Inc.**, Atlanta, GA (US)

(\*\*) Term: **14 Years**

(21) Appl. No.: **29/399,893**

(22) Filed: **Aug. 19, 2011**

(51) **LOC (10) Cl.** ..... **14-03**

(52) **U.S. Cl.**

USPC ..... **D14/138 AC**; D14/346; D14/138 AA

(58) **Field of Classification Search**

USPC ..... D14/138 AA, 138 R, 496, 341, 345, 346,  
D14/203.1, 203.4, 203.7, 147, 248, 138 AC,  
D14/138 AB; D21/517; 455/575.1, 556.2,  
455/556; 379/433.01, 433.04; 361/679.3,  
361/679.56; 446/85, 117, 92, 125; 434/403,  
434/96

See application file for complete search history.

(56) **References Cited**

**U.S. PATENT DOCUMENTS**

1,656,199	A *	1/1928	Hodgson	.....	434/403
2,570,625	A *	10/1951	Zimmerman et al.	.....	446/92
3,196,579	A *	7/1965	Lepper	.....	446/92
3,866,338	A *	2/1975	Lou	.....	434/403
4,784,392	A *	11/1988	Johnson et al.	.....	273/160
4,877,407	A *	10/1989	du Pont et al.	.....	434/302
D357,230	S *	4/1995	Wahl	.....	D14/345
D454,871	S *	3/2002	Perez	.....	D14/345
6,790,118	B2 *	9/2004	Ahn	.....	446/125
7,010,834	B2 *	3/2006	Barnett	.....	16/367
D518,488	S *	4/2006	Rodarte	.....	D14/203.4
D523,837	S *	6/2006	Lee	.....	D14/138 AA
D528,093	S *	9/2006	Yang et al.	.....	D14/138 AA
7,197,332	B2 *	3/2007	Andersson et al.	.....	455/557
7,203,529	B2 *	4/2007	Kim et al.	.....	455/575.1
D543,188	S *	5/2007	Minamide et al.	.....	D14/138 AA
7,215,538	B1 *	5/2007	Chen et al.	.....	361/679.06

D544,852	S *	6/2007	Takamori et al.	.....	D14/138 AA
D563,371	S *	3/2008	Kim et al.	.....	D14/138 AA
D566,671	S *	4/2008	Lee	.....	D14/138 AA
7,542,273	B2 *	6/2009	Laycock et al.	.....	361/679.27
D601,992	S *	10/2009	Choi et al.	.....	D14/138 AB
D607,864	S *	1/2010	Zhou et al.	.....	D14/138 AA
D630,607	S *	1/2011	Li	.....	D14/138 AB
D631,455	S *	1/2011	Kim et al.	.....	D14/138 AB
7,958,602	B2 *	6/2011	Nishizawa et al.	.....	16/367

(Continued)

*Primary Examiner* — Jeffrey D Asch

(74) *Attorney, Agent, or Firm* — Sutherland Asbill & Brennan LLP

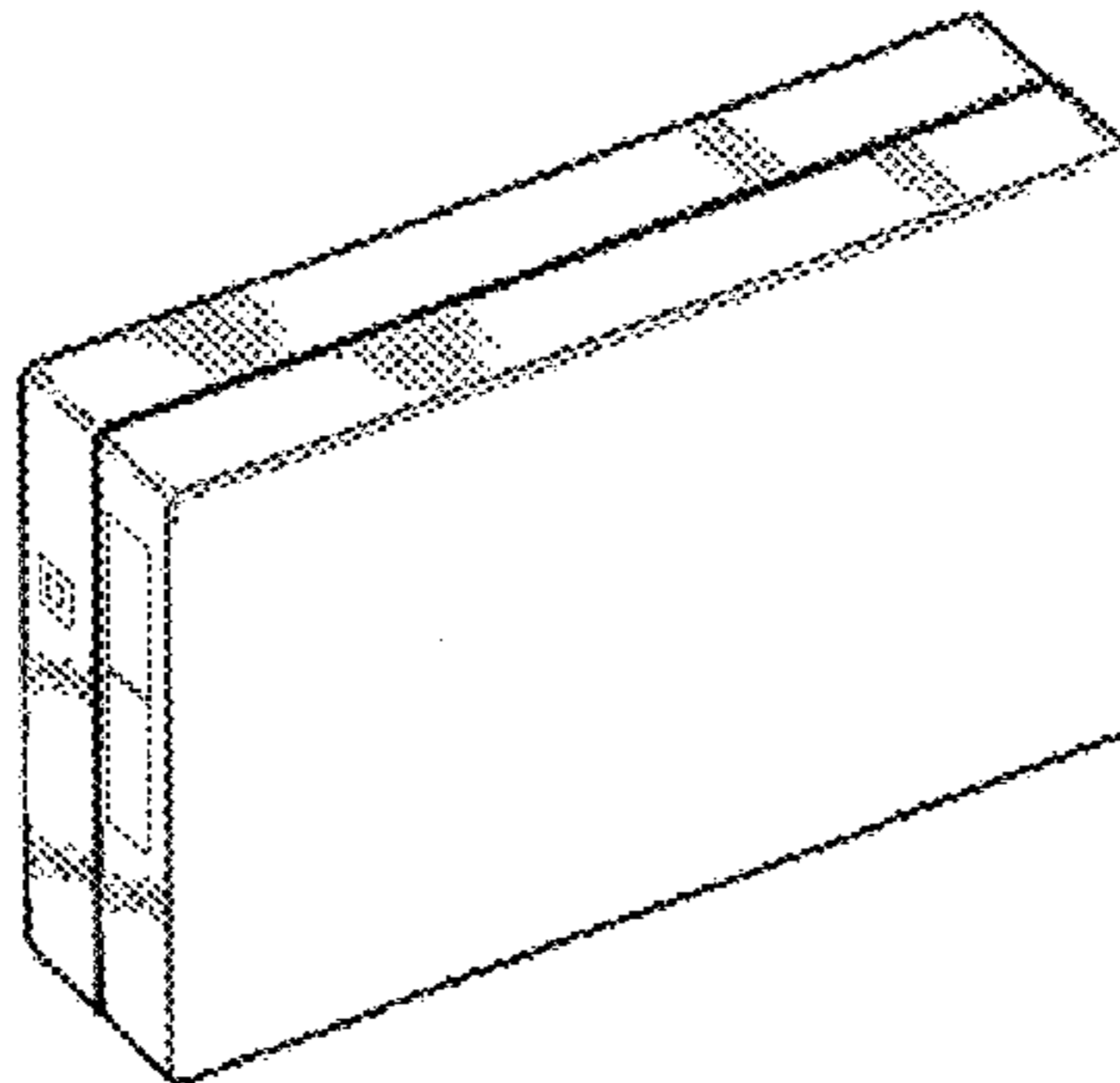
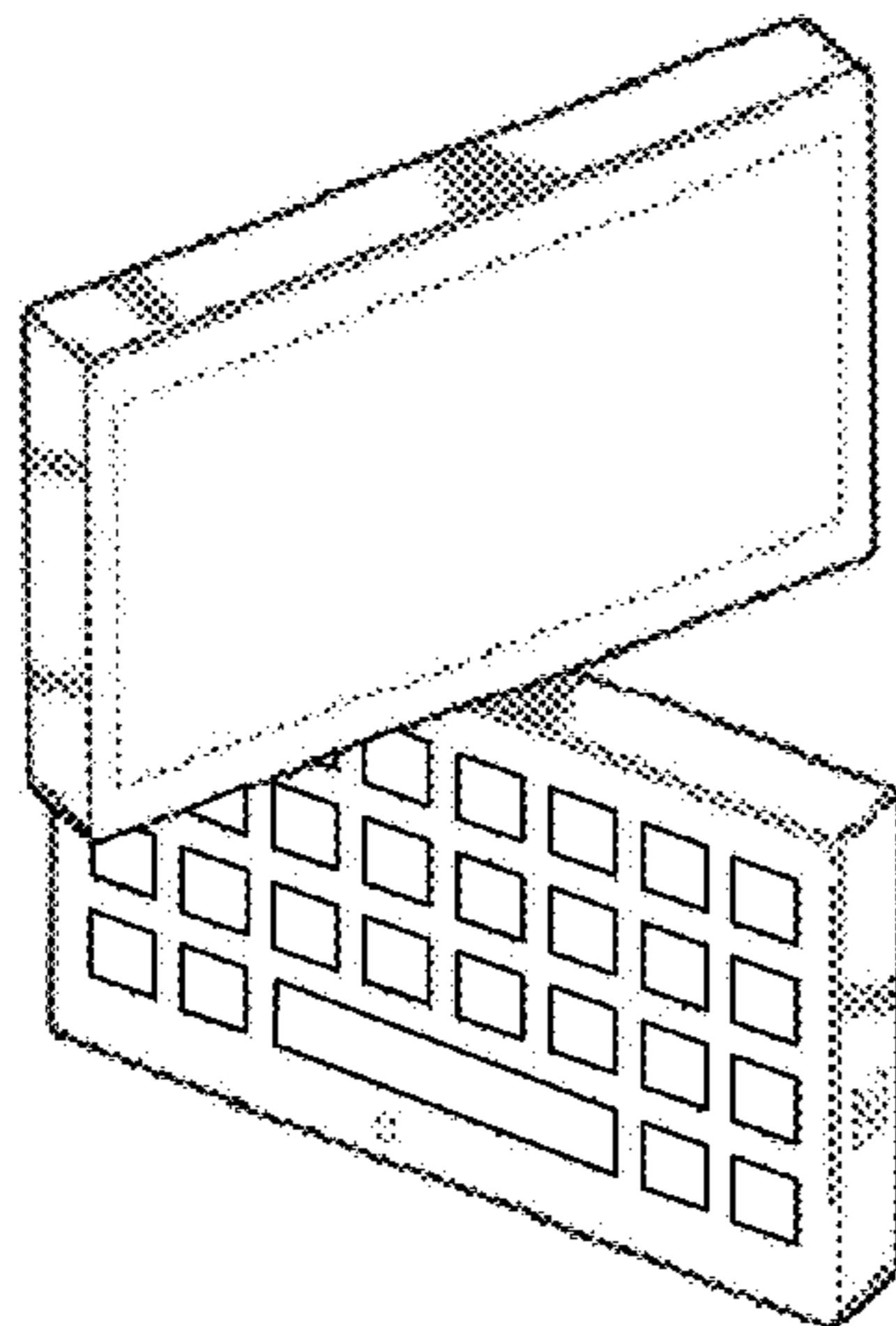
(57) **CLAIM**

The ornamental design for a mobile communications device, as shown and described.

**DESCRIPTION**

FIG. 1 is a perspective view of a mobile communications device showing my new design;  
 FIG. 2 is a left side view thereof;  
 FIG. 3 is a right side view thereof;  
 FIG. 4 is a top view thereof;  
 FIG. 5 is a bottom view thereof;  
 FIG. 6 is a front view thereof;  
 FIG. 7 is a back view thereof; and  
 FIG. 8 is a second perspective view of the mobile communications device shown in FIG. 1, in which the mobile communications device is shown in an alternate position.  
 FIG. 9 is a third perspective view of the mobile communications device shown in FIG. 1, in which the mobile communications device is shown in an alternate position; and,  
 FIG. 10 is a fourth perspective view of the mobile communications device shown in FIG. 1, in which the mobile communications device is shown in an alternate position.  
 The broken lines are directed to visible environmental structure that is superimposed on claimed surfaces and that forms no part of the claimed design.

**1 Claim, 4 Drawing Sheets**



(56)

**References Cited**

U.S. PATENT DOCUMENTS

7,963,818	B2 *	6/2011	Fullerton et al.	.....	446/93	2005/0101358	A1 *	5/2005	Carpenter	.....	455/575.1
7,966,698	B2 *	6/2011	Barnett	.....	16/367	2005/0239520	A1 *	10/2005	Stefansen	.....	455/575.1
7,984,533	B2 *	7/2011	Wei et al.	.....	16/367	2007/0164923	A1 *	7/2007	Kanai et al.	.....	345/1.1
8,024,008	B2 *	9/2011	Watanabe	.....	455/566	2007/0293285	A1 *	12/2007	Kang et al.	.....	455/575.1
D647,867	S *	11/2011	Chung	.....	D14/138 AB	2008/0039156	A1 *	2/2008	Lee et al.	.....	455/575.1
2004/0141284	A1 *	7/2004	Chen et al.	.....	361/681	2008/0062625	A1 *	3/2008	Batio	.....	361/680
2004/0204066	A1 *	10/2004	Park	.....	455/556.1	2008/0182632	A1 *	7/2008	Jung	.....	455/575.1
						2009/0124295	A1 *	5/2009	Watanabe	.....	455/566
						2012/0129581	A1 *	5/2012	Choi et al.	.....	455/575.3

\* cited by examiner

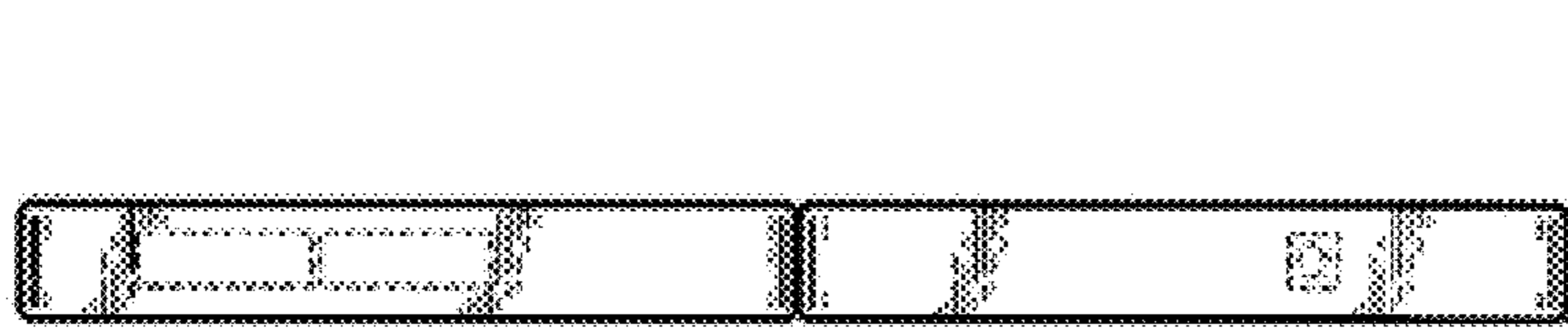


FIG. 2

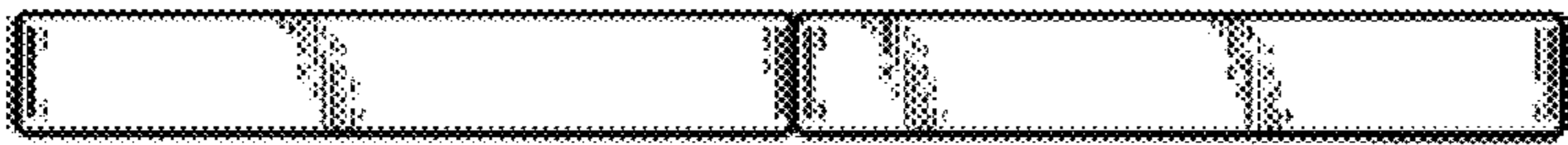


FIG. 3



FIG. 4



FIG. 5

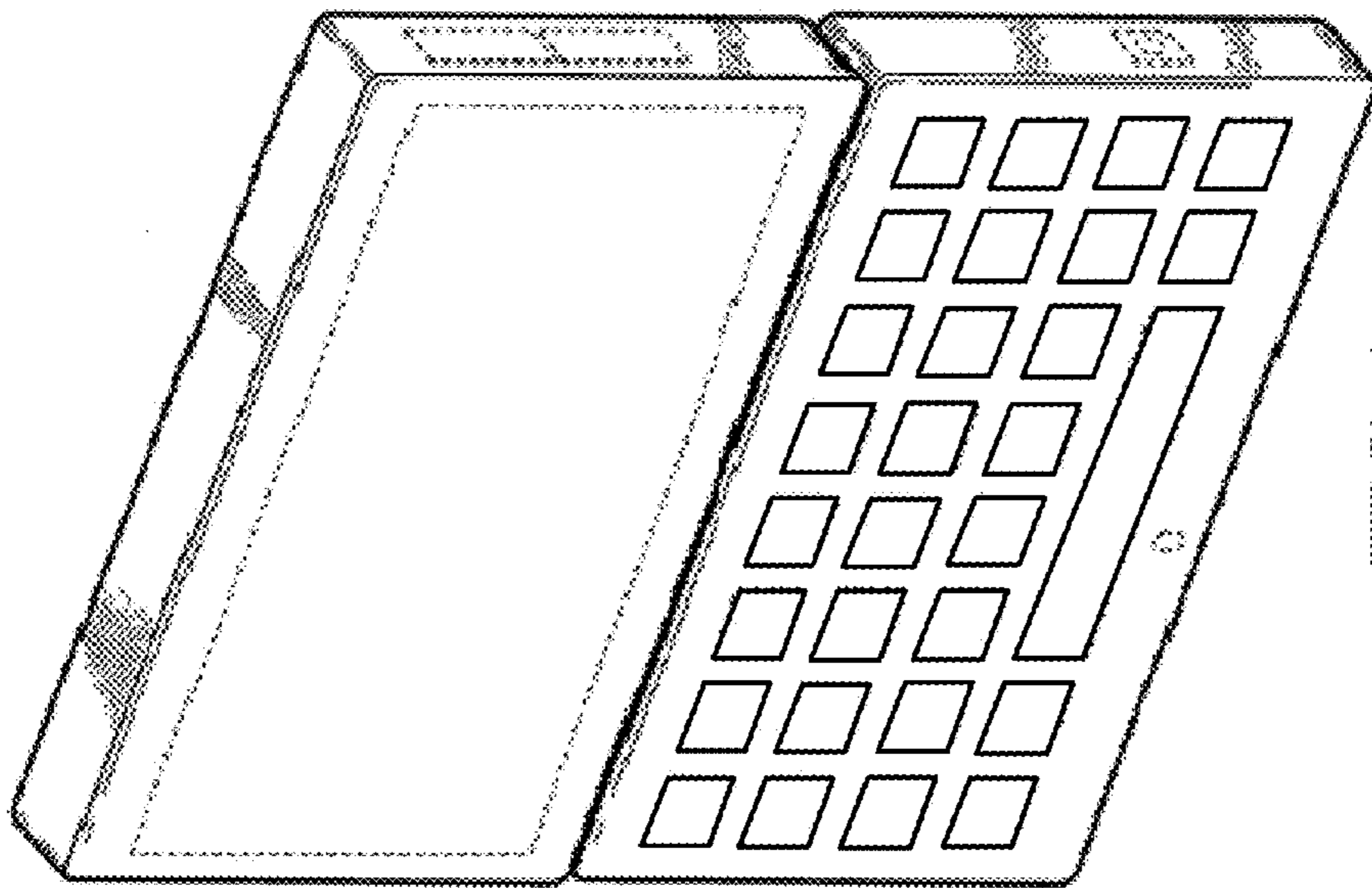


FIG. 1



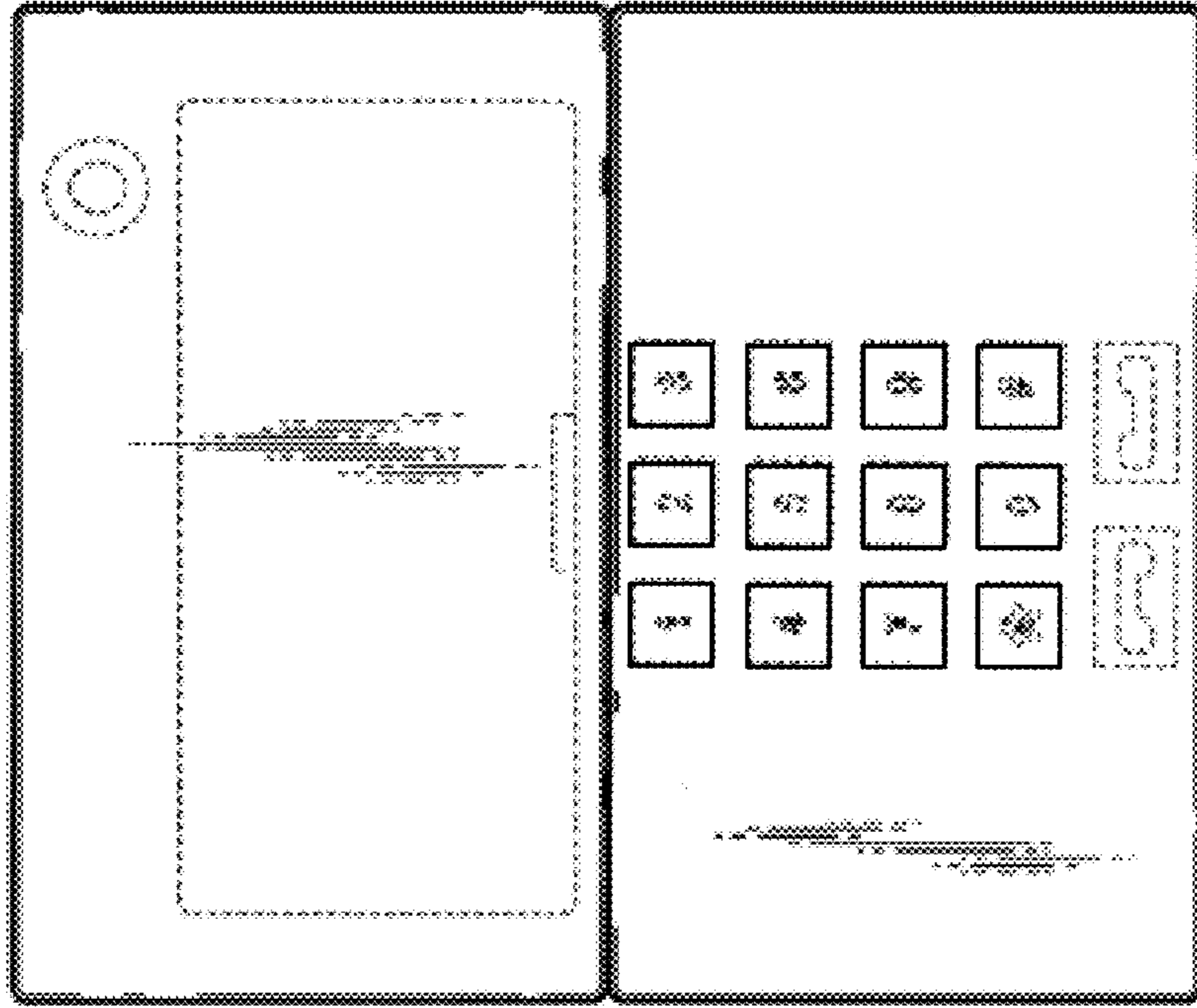


FIG. 7

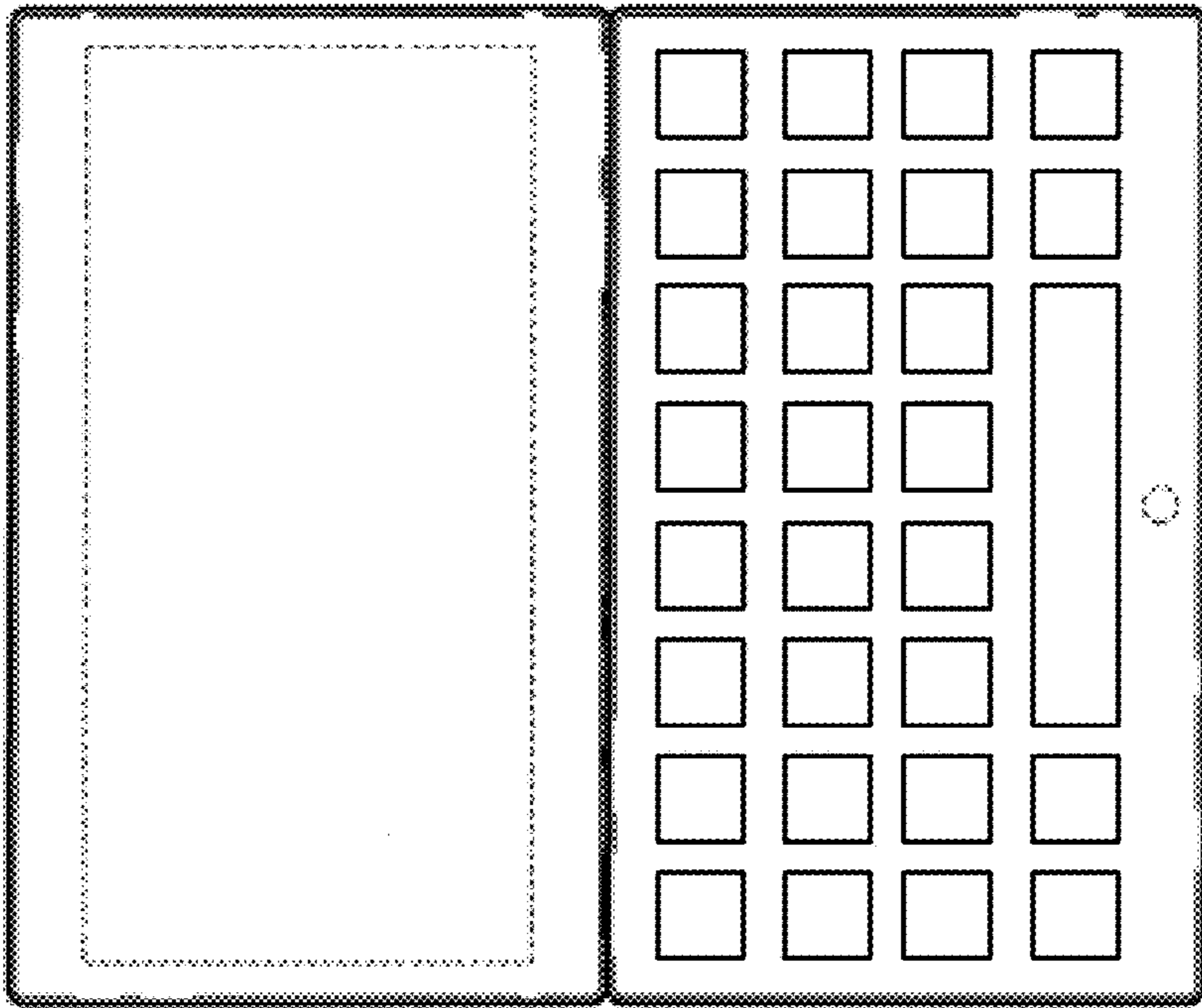


FIG. 6

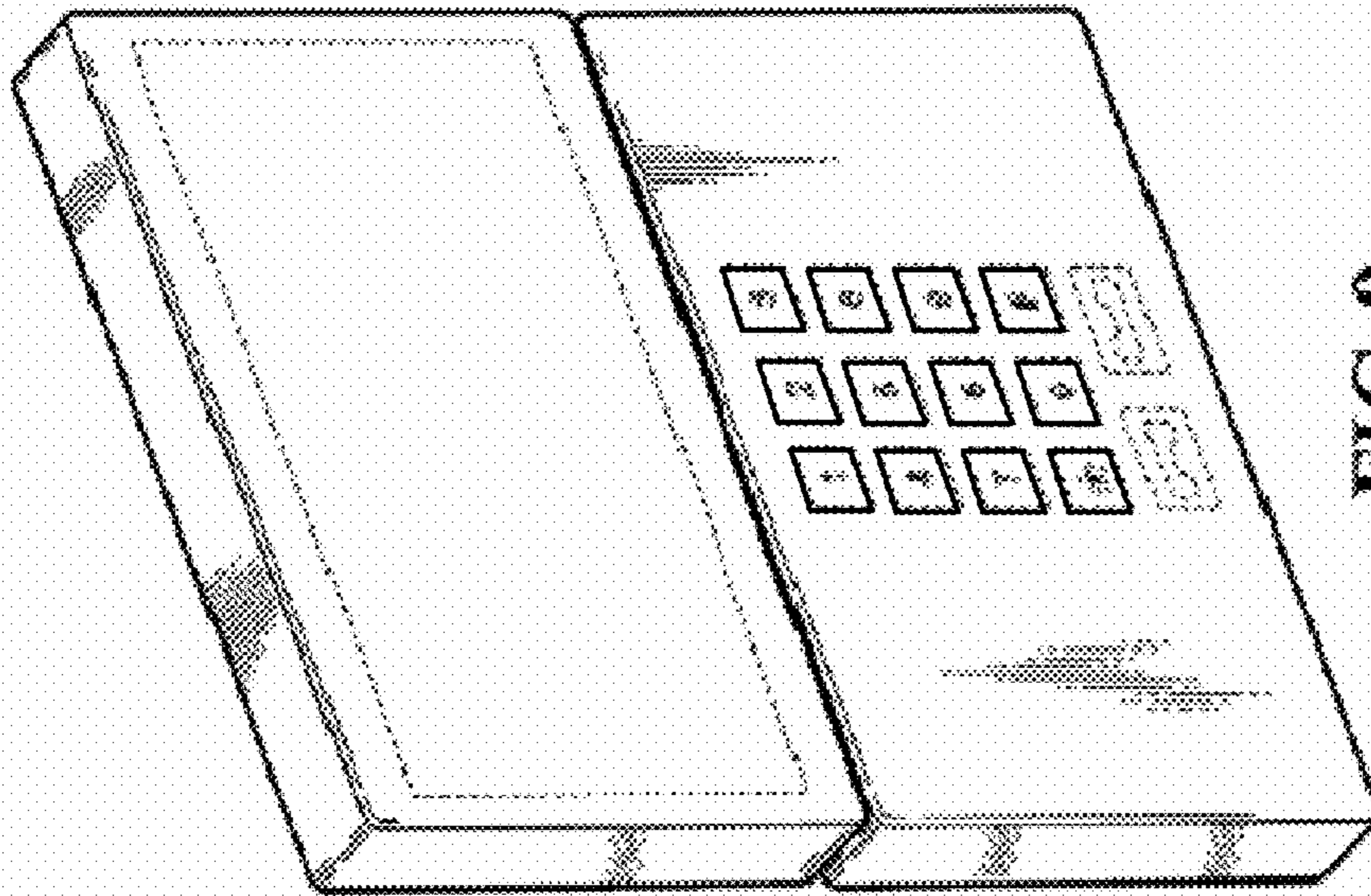


FIG. 9

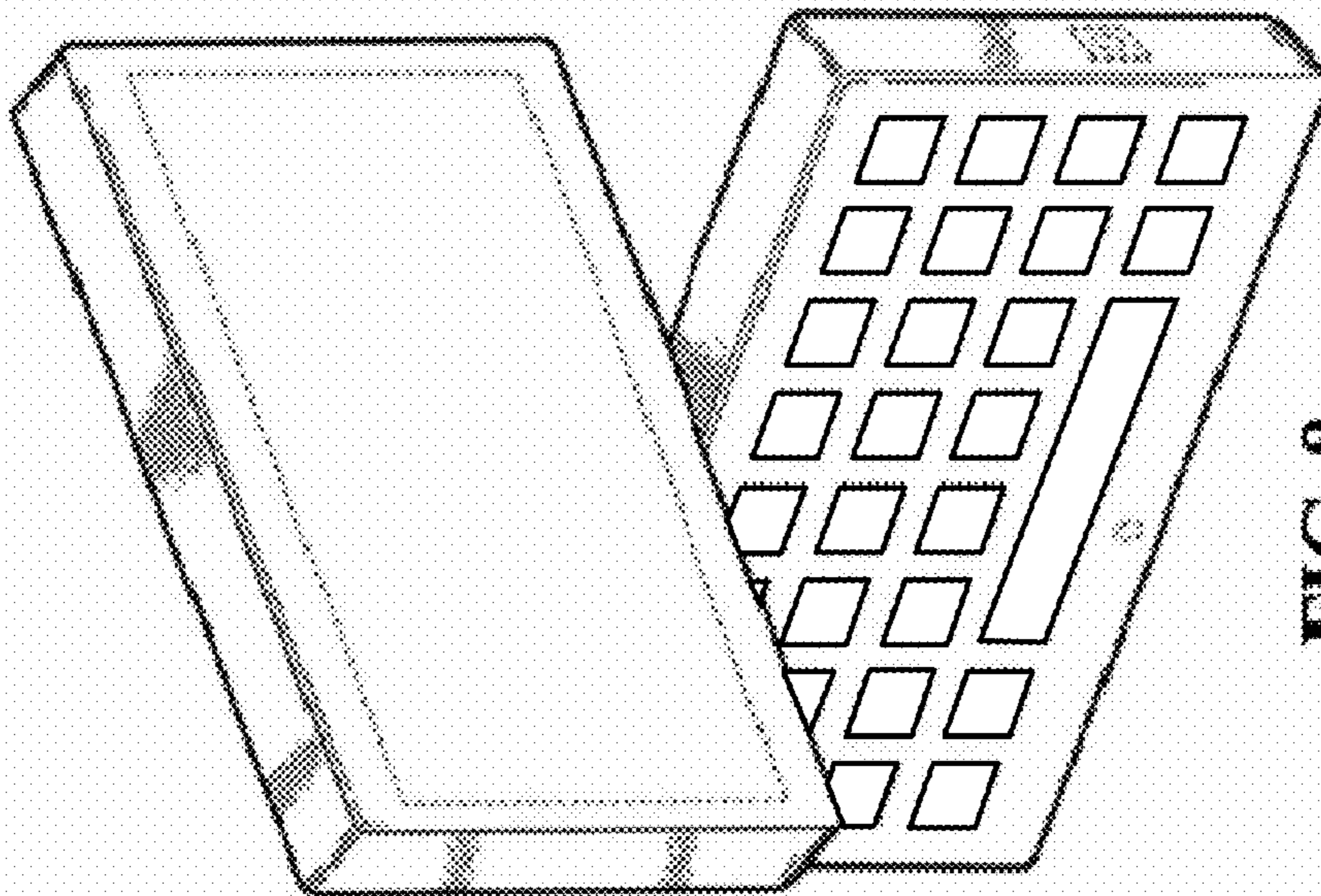


FIG. 8

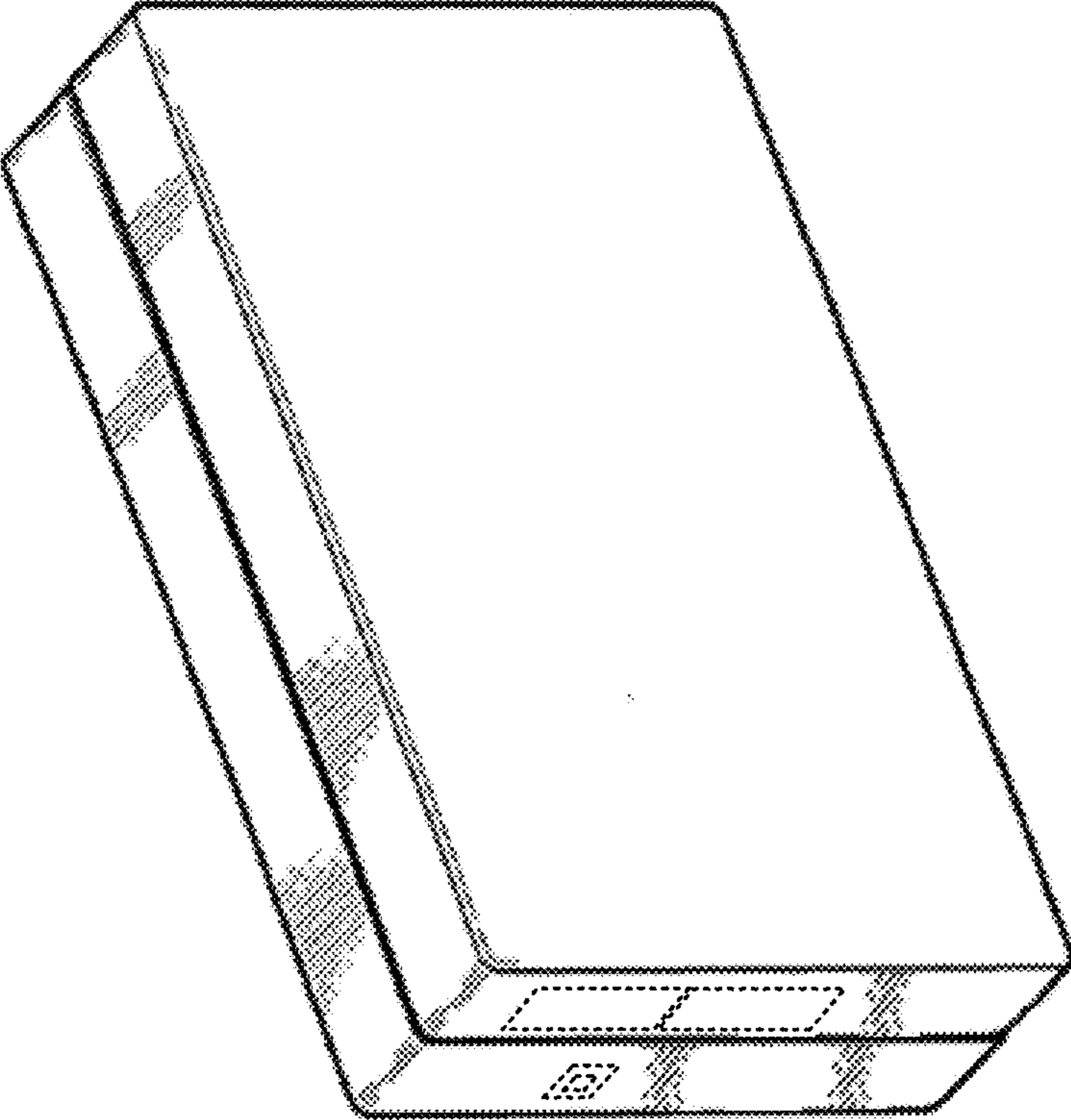


FIG. 10