



US00D711333S

(12) **United States Design Patent**
Kim

(10) **Patent No.:** **US D711,333 S**
(45) **Date of Patent:** **** Aug. 19, 2014**

(54) **TV RECEIVER**

(71) Applicant: **Samsung Electronics Co., Ltd.**,
Suwon-si (KR)

(72) Inventor: **Euiseok Kim**, Seongnam-si (KR)

(73) Assignee: **Samsung Electronics Co., Ltd.**,
Suwon-si (KR)

(**) Term: **14 Years**

(21) Appl. No.: **29/480,115**

(22) Filed: **Jan. 23, 2014**

(30) **Foreign Application Priority Data**

Jul. 23, 2013 (KR) 30-2013-0037952

(51) **LOC (10) Cl.** **14-03**

(52) **U.S. Cl.**
USPC **D14/126; D14/239**

(58) **Field of Classification Search**
USPC D14/125-134, 239, 371, 136, 374-377,
D14/440, 450, 44, 448, 336, 342; 312/7.2;
348/836, 838, 180, 184, 325, 739;
248/917-924, 465; 345/104, 133, 156,
345/168, 87, 173; D21/329, 515, 577, 622,
D21/333, 433, 448, 452, 450, 331, 505;
D10/15, 26; 446/484, 175, 356;
D6/700, 701, 682.3

See application file for complete search history.

(56) **References Cited**

U.S. PATENT DOCUMENTS

D201,026 S * 5/1965 Wiese D6/419
D373,584 S * 9/1996 Anand D14/126
D393,853 S * 4/1998 Maas D14/126
D524,268 S * 7/2006 Reza D14/126
D545,776 S * 7/2007 Kwon D14/126
D558,696 S * 1/2008 Park et al. D14/126
D563,914 S * 3/2008 Chiu D14/126

D574,341 S * 8/2008 Kuramashi et al. D14/126
D597,041 S * 7/2009 Cho et al. D14/126
D597,975 S * 8/2009 Ohno D14/126
D599,755 S * 9/2009 Jin et al. D14/126
D626,101 S * 10/2010 Kim et al. D14/126
D628,830 S * 12/2010 Mono D6/466
D634,324 S * 3/2011 Park et al. D14/374
D644,642 S * 9/2011 Chou et al. D14/374
D645,431 S * 9/2011 Boo et al. D14/126
D652,045 S * 1/2012 Hong D14/447
D659,663 S * 5/2012 Xu et al. D14/126
D667,806 S * 9/2012 Asanuma et al. D14/129
D671,540 S * 11/2012 Yukawa et al. D14/336
D686,615 S * 7/2013 Lee et al. D14/374
D692,844 S * 11/2013 Seong D14/126
2003/0058372 A1 * 3/2003 Williams et al. 348/836

* cited by examiner

Primary Examiner — Raphael Barkai

(74) *Attorney, Agent, or Firm* — NSIP Law

(57) **CLAIM**

The ornamental design for a TV receiver, as shown and described.

DESCRIPTION

FIG. 1 is a front perspective view of a TV receiver showing my new design;
FIG. 2 is a front view thereof;
FIG. 3 is a rear view thereof;
FIG. 4 is a left-side view thereof;
FIG. 5 is a right-side view thereof;
FIG. 6 is a top view thereof;
FIG. 7 is a bottom view thereof; and,
FIG. 8 is an enlarged view of the encircled portion in FIG. 1.
The broken lines illustrating portions of the TV receiver are for environmental purposes only and form no part of the claimed design.

The dot-dash broken lines encircling portions of the claimed design that are illustrated in enlargements form no part of the claimed design.

1 Claim, 8 Drawing Sheets

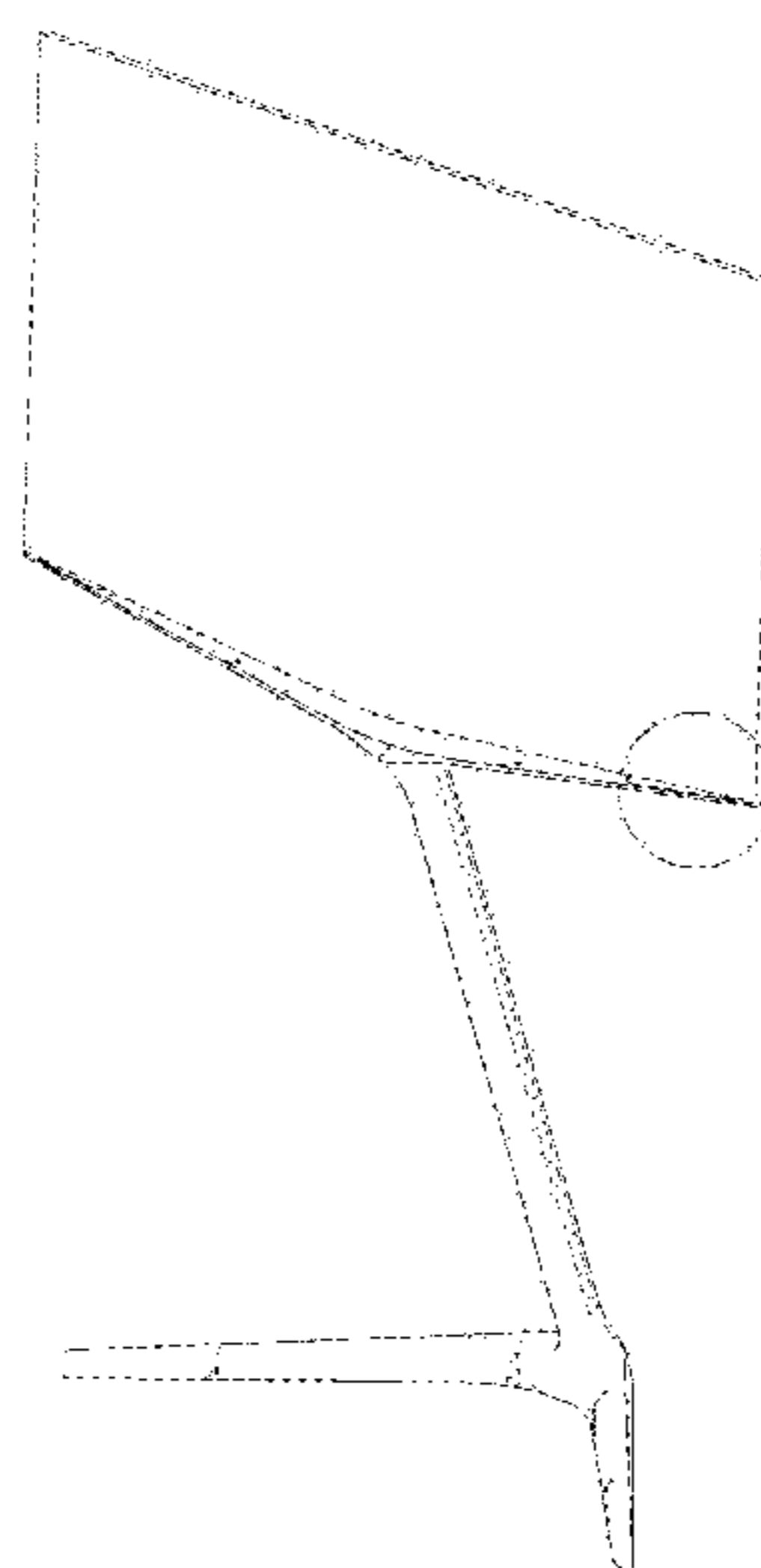


FIG. 1

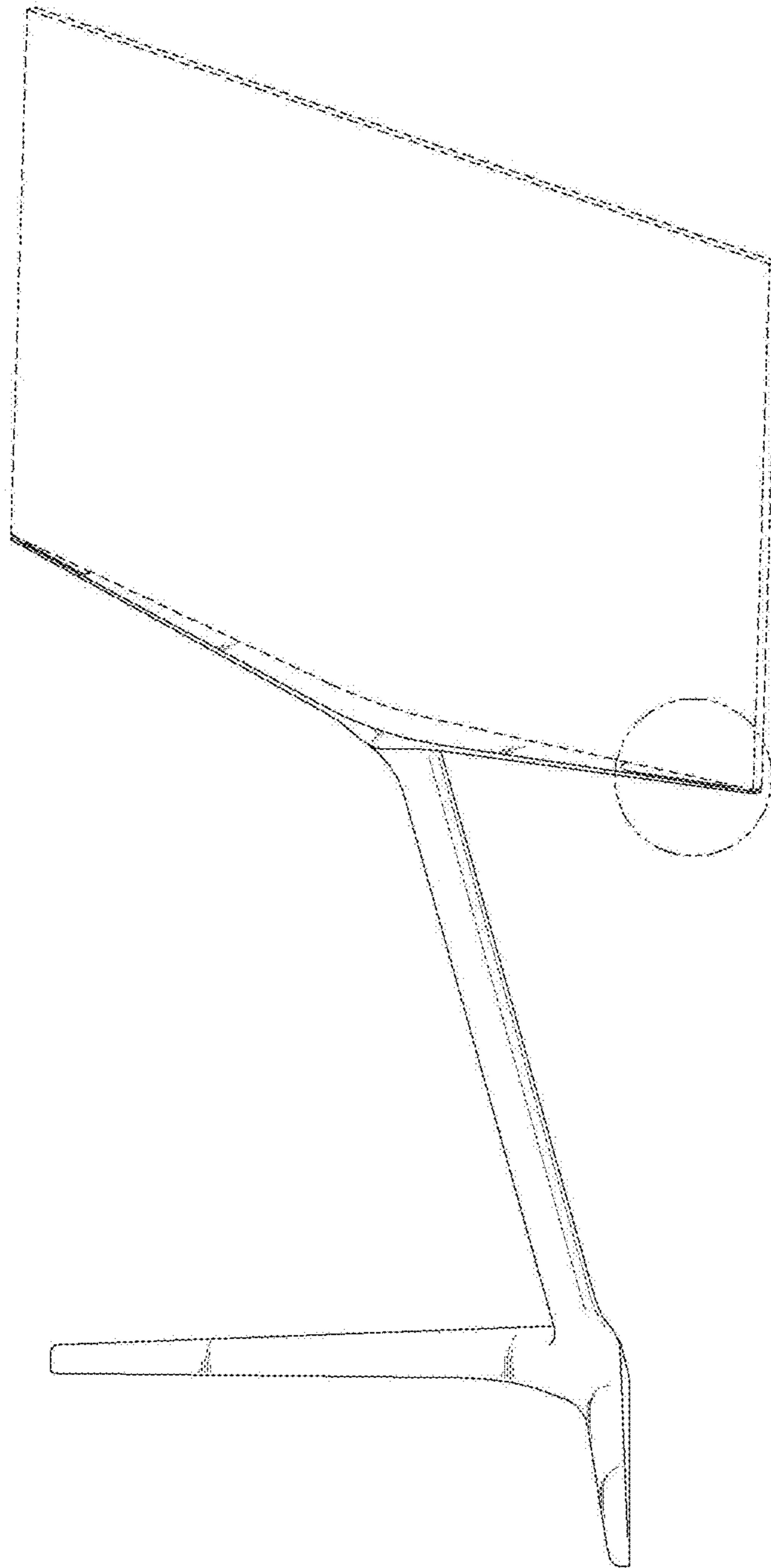


FIG. 2

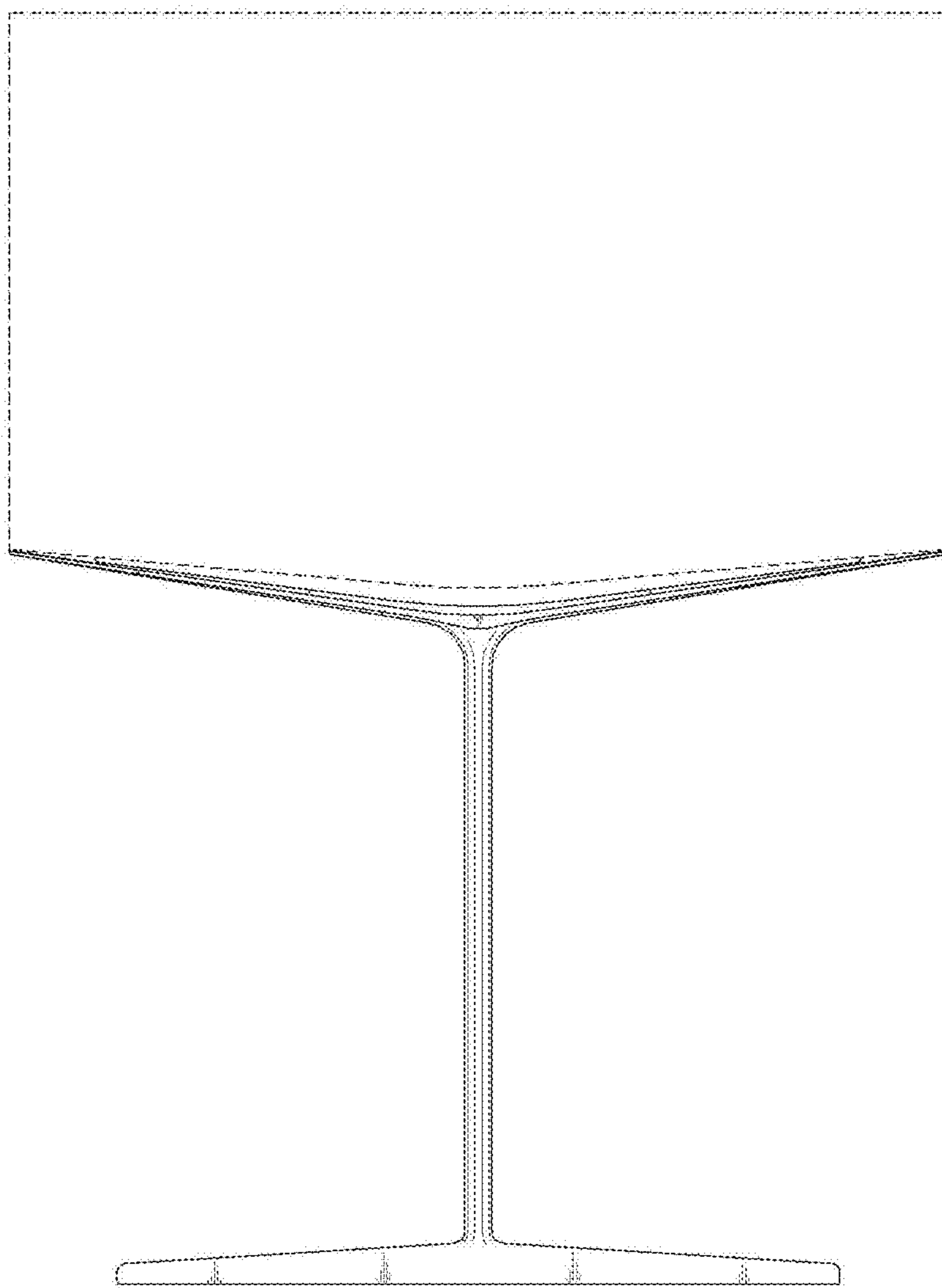


FIG. 3

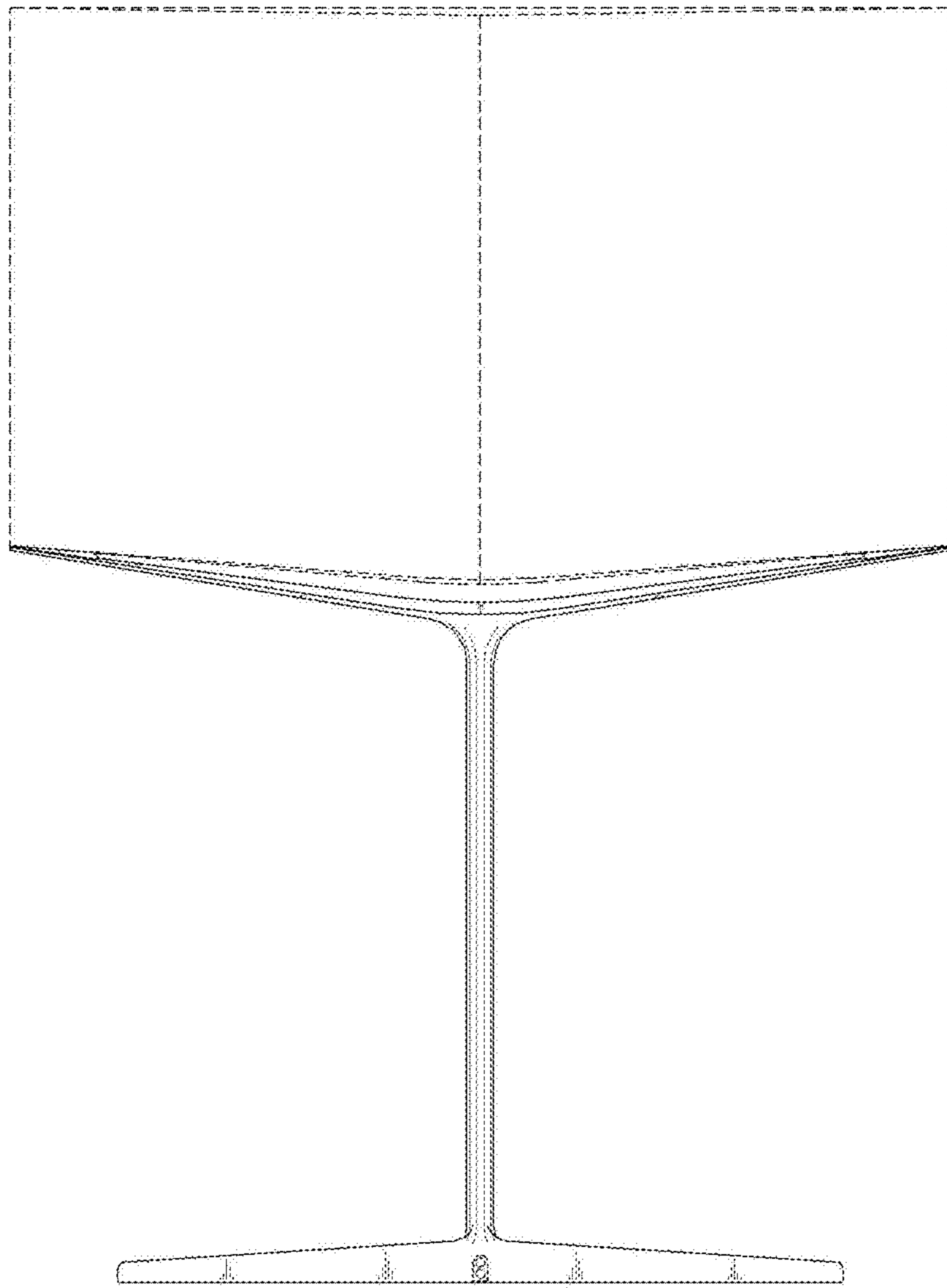


FIG. 4

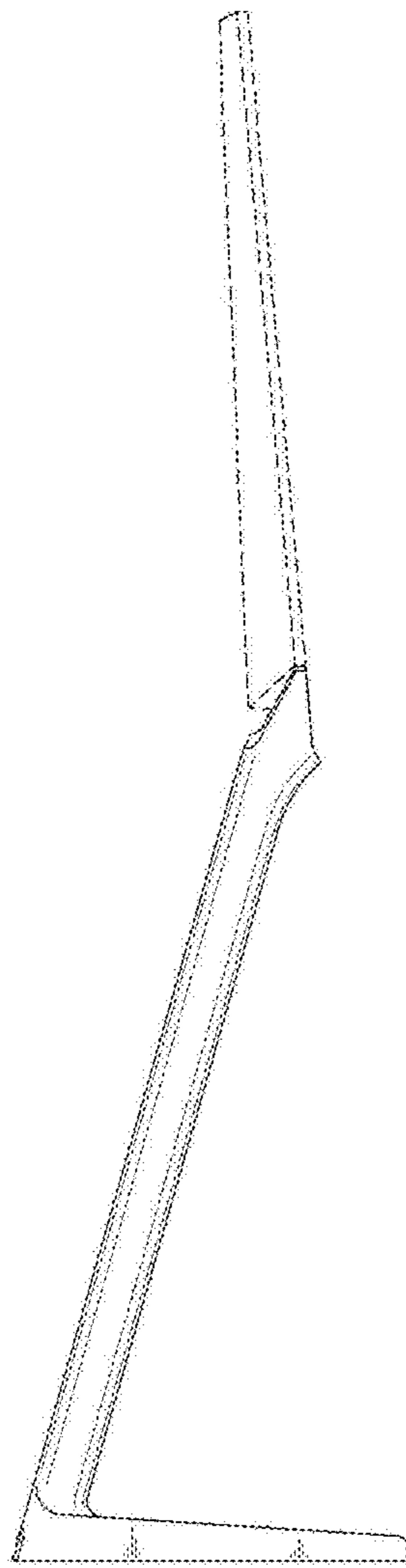


FIG. 5

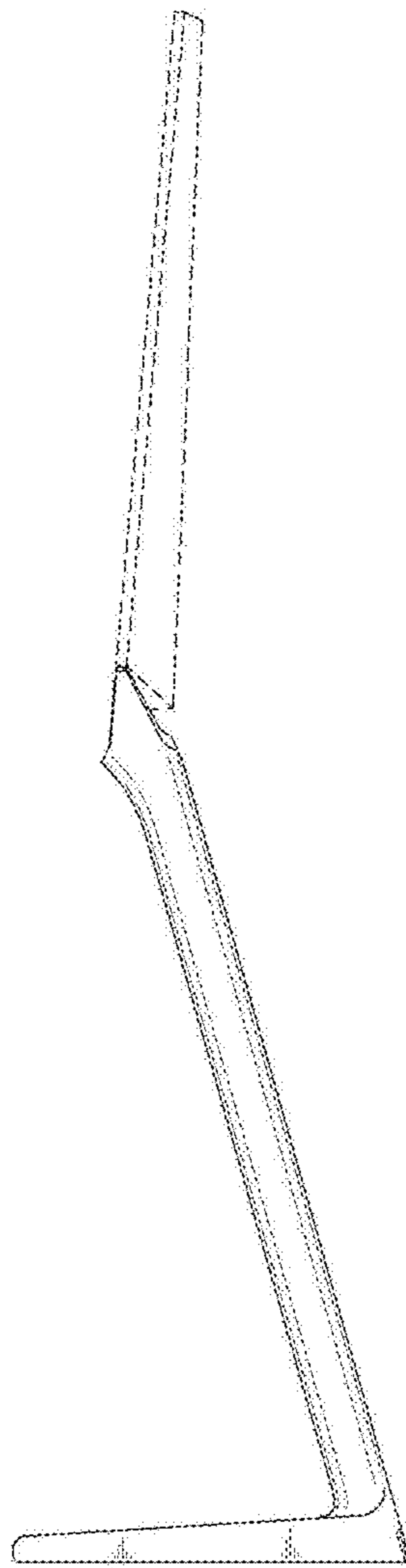


FIG. 6

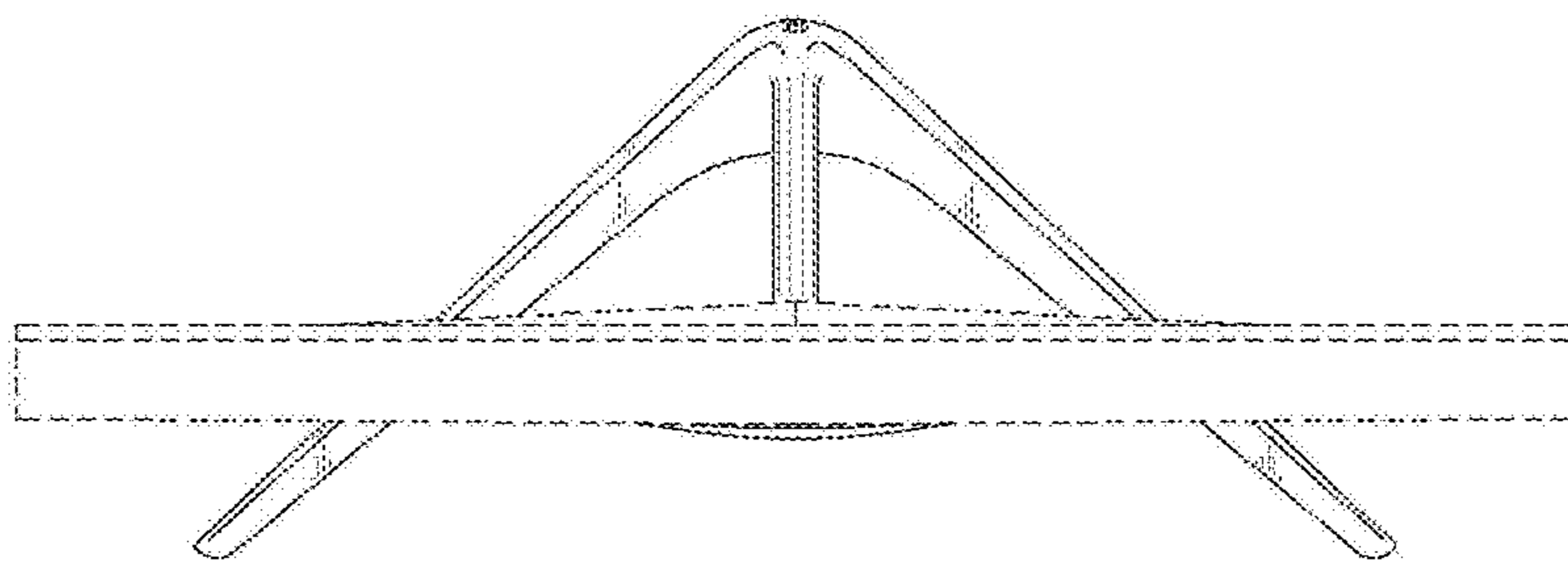


FIG. 7

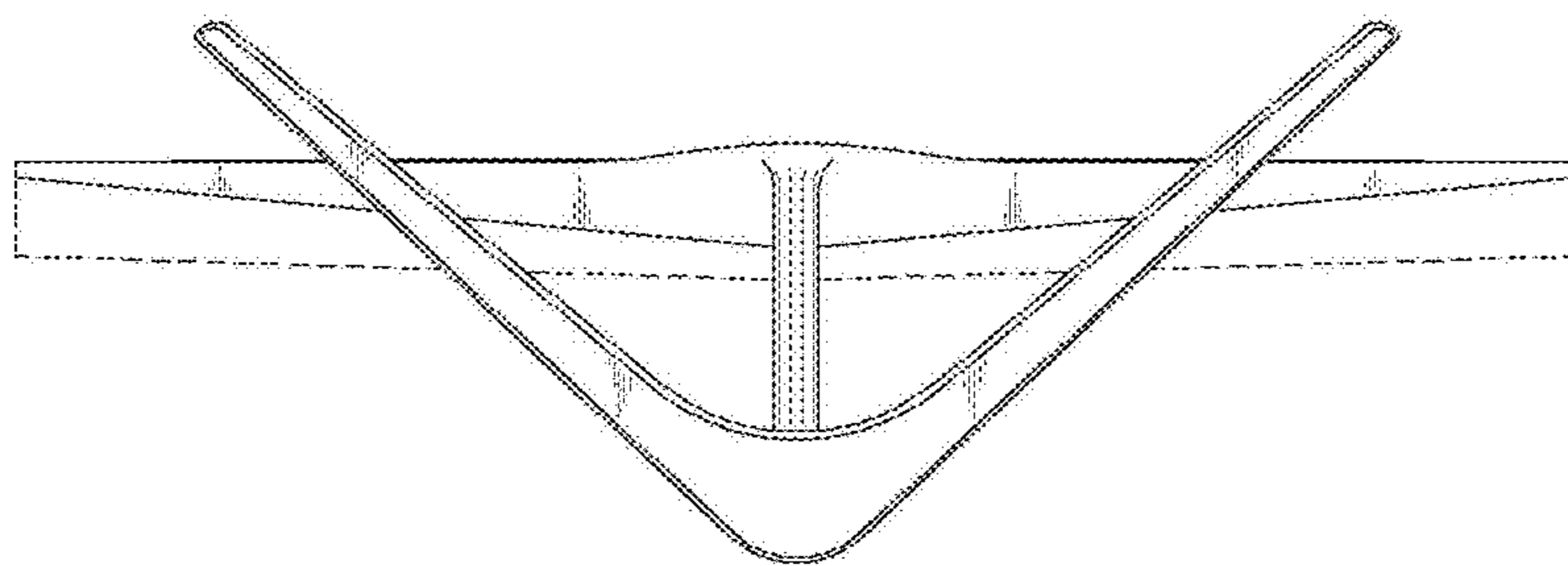


FIG. 8

