

US00D711332S

(12) **United States Design Patent**
Krishnan et al.

(10) **Patent No.:** **US D711,332 S**
(45) **Date of Patent:** **** Aug. 19, 2014**

(54) **MULTI-KEYED SPINDLE**
(75) Inventors: **Sandeep Krishnan**, Princeton, NJ (US);
Keng Moy, Basking Ridge, NJ (US);
Alexander I. Gurary, Bridgewater, NJ
(US); **Matthew King**, Montville, NJ
(US); **Vadim Boguslavskiy**, Princeton,
NJ (US); **Steven Krommenhoek**,
Annandale, NJ (US)

(73) Assignee: **Veeco Instruments Inc.**, Plainview, NY
(US)

(**) Term: **14 Years**

(21) Appl. No.: **29/416,253**

(22) Filed: **Mar. 20, 2012**

(51) **LOC (10) Cl.** **13-99**

(52) **U.S. Cl.**
USPC **D13/199**

(58) **Field of Classification Search**
USPC D13/133, 154, 182; 174/3; 439/378,
439/379, 380, 381, 892, 894; 310/37
See application file for complete search history.

(56) **References Cited**

U.S. PATENT DOCUMENTS

3,731,435 A	5/1973	Boettcher et al.
3,845,738 A	11/1974	Berkman et al.
4,165,584 A	8/1979	Scherrer
4,512,113 A	4/1985	Budinger
4,739,589 A	4/1988	Brehm et al.
5,191,738 A	3/1993	Nakazato et al.
5,193,316 A	3/1993	Olmstead
5,377,451 A	1/1995	Leoni et al.
5,422,316 A	6/1995	Desai et al.
5,573,448 A	11/1996	Nakazima et al.
5,647,789 A	7/1997	Kitta et al.
5,674,107 A	10/1997	Graebner et al.
5,683,518 A	11/1997	Moore et al.
5,788,777 A	8/1998	Burk, Jr.

5,840,124 A	11/1998	Gurary et al.
D405,430 S *	2/1999	Matsushima D13/182
5,865,666 A	2/1999	Nagahara
6,080,042 A	6/2000	McGregor et al.
6,241,825 B1	6/2001	Wytman
6,375,749 B1	4/2002	Boydston et al.
6,454,635 B1	9/2002	Zhang et al.
6,500,059 B2	12/2002	Chang et al.
6,514,424 B2	2/2003	Wenski et al.
6,666,948 B2	12/2003	Nguyen
6,709,981 B2	3/2004	Grabbe et al.
6,733,367 B1	5/2004	Nguyen
D503,385 S *	3/2005	Hosokawa D13/147
7,008,308 B2	3/2006	Bjelopavlic et al.
7,169,234 B2	1/2007	Weeks et al.
7,235,139 B2	6/2007	Boguslavskiy et al.

(Continued)

FOREIGN PATENT DOCUMENTS

CN 202492576 U 10/2012

Primary Examiner — Daniel Bui

Assistant Examiner — Khawaja Anwar

(74) *Attorney, Agent, or Firm* — Lerner, David, Littenberg,
Krumholz & Mentlik, LLP

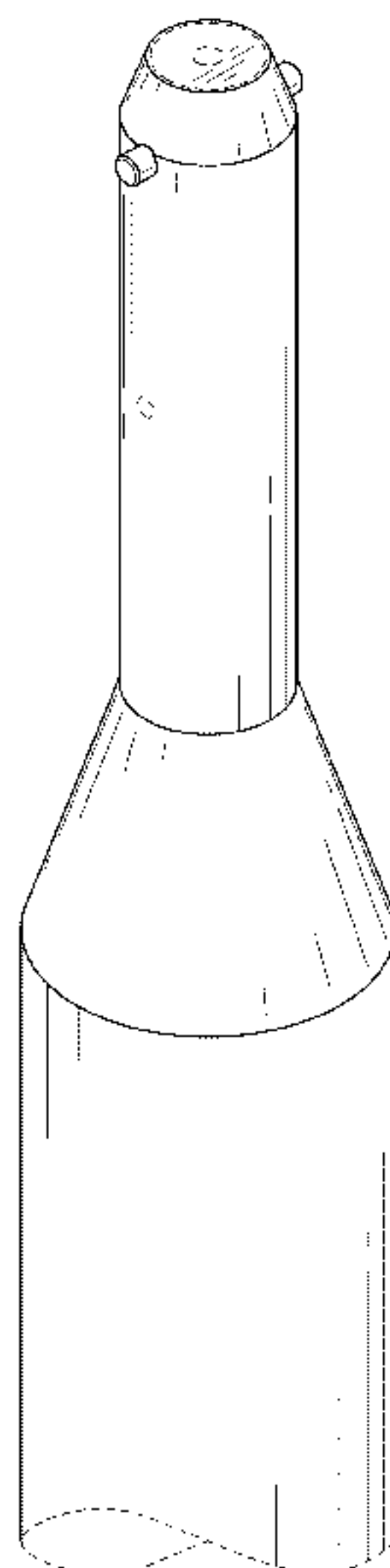
(57) **CLAIM**

The ornamental design for a multi-keyed spindle, as shown
and described.

DESCRIPTION

FIG. 1 is a top perspective view of a multi-keyed spindle
showing our new design;
FIG. 2 is right side view thereof; the left side view being a
mirror image thereto;
FIG. 3 is front view thereof; the rear view being a mirror
image thereto; and,
FIG. 4 is top plan view thereof.
The broken lines in the drawings are for illustrative purposes
only and form no part of the claimed design.

1 Claim, 2 Drawing Sheets



(56)

References Cited

U.S. PATENT DOCUMENTS

7,252,737	B2	8/2007	Brown et al.					
D564,462	S *	3/2008	Ishii et al.	D13/182				
D633,452	S	3/2011	Namiki et al.					
8,177,993	B2	5/2012	Seah et al.					
8,182,315	B2	5/2012	Nguyen					
					8,328,600	B2	12/2012	Duescher
					D674,759	S	1/2013	Chang et al.
					D675,567	S *	2/2013	Hyakutake D13/133
					8,448,289	B2 *	5/2013	Reith et al. 15/250.31
					2002/0011204	A1	1/2002	Gujer et al.
					2003/0057089	A1	3/2003	Nguyen
					2006/0090915	A1 *	5/2006	Kim 174/3
					2009/0194026	A1	8/2009	Burrows et al.

* cited by examiner

FIG. 1

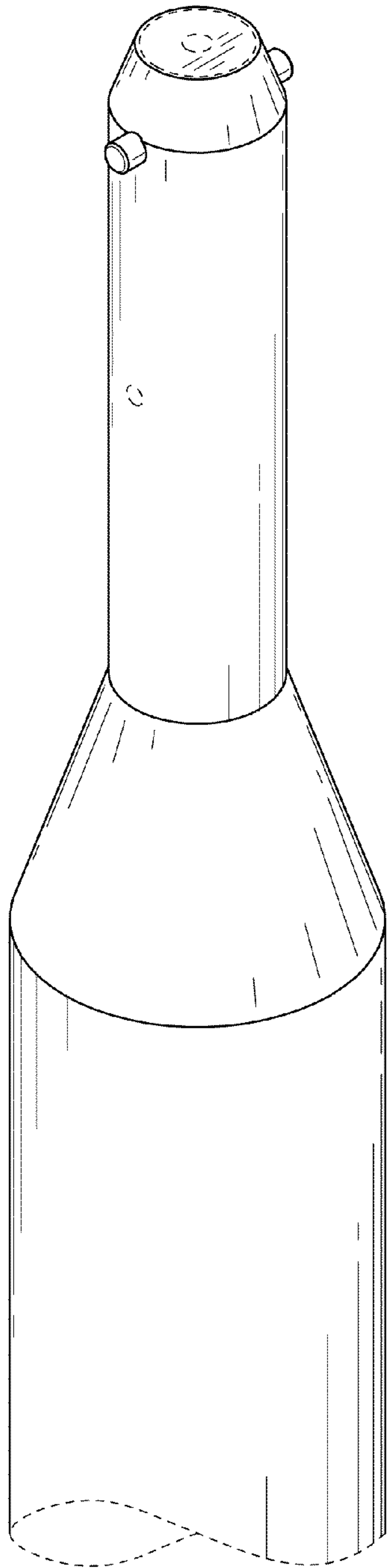


FIG. 2

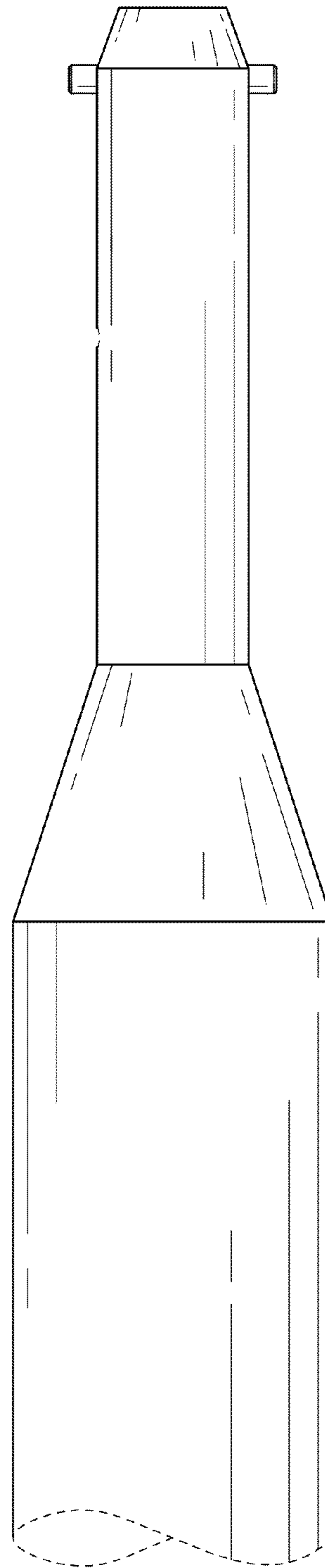


FIG. 3

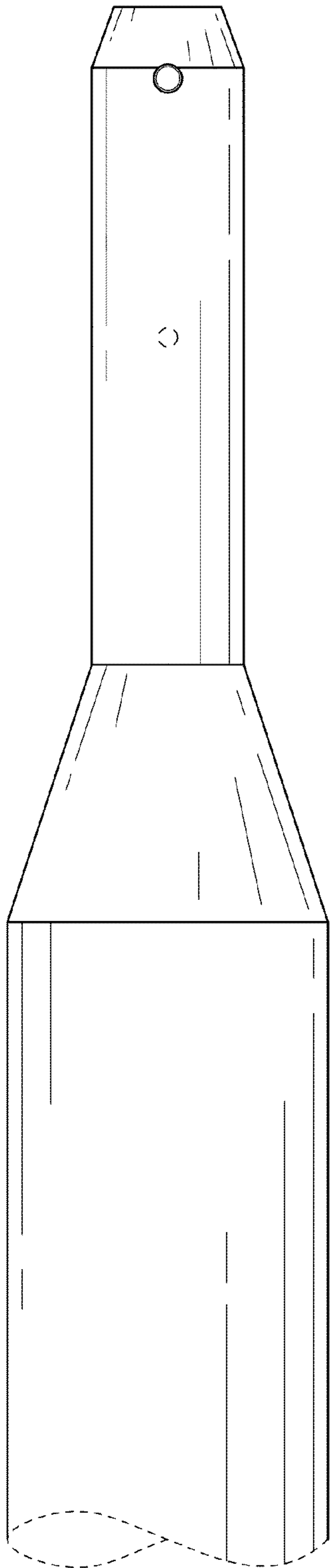


FIG. 4

