



US00D711331S

(12) **United States Design Patent**  
**Lau et al.**

(10) **Patent No.:** **US D711,331 S**

(45) **Date of Patent:** **\*\* Aug. 19, 2014**

(54) **UPPER CHAMBER LINER**  
(71) Applicant: **Applied Materials, Inc.**, Santa Clara, CA (US)  
(72) Inventors: **Shu-Kwan Lau**, Sunnyvale, CA (US); **Mehmet Tugrul Samir**, Mountain View, CA (US); **Anzhong Chang**, San Jose, CA (US); **Paul Brillhart**, Pleasanton, CA (US); **Richard O. Collins**, Santa Clara, CA (US)

(73) Assignee: **Applied Materials, Inc.**, Santa Clara, CA (US)

(\*\*) Term: **14 Years**

(21) Appl. No.: **29/472,048**

(22) Filed: **Nov. 7, 2013**

(51) **LOC (10) Cl.** ..... **13-03**

(52) **U.S. Cl.**  
USPC ..... **D13/182**

(58) **Field of Classification Search**  
USPC ..... D13/182; 118/722, 723 R, 728, 729, 118/504, 506, 715, 723 E, 723 ER, 723 IR, 118/723 ME, 723 MR, 723 MA, 723 MW; 204/298.01, 298.11  
See application file for complete search history.

(56) **References Cited**

**U.S. PATENT DOCUMENTS**

D404,370 S *	1/1999	Kimura	.....	D13/182
D404,372 S *	1/1999	Ishii	.....	D13/182
6,099,651 A *	8/2000	Sajoto et al.	.....	118/715
6,170,429 B1 *	1/2001	Schoepp et al.	.....	118/723 R
6,234,219 B1 *	5/2001	Donohoe	.....	141/98
7,066,107 B2 *	6/2006	Good	.....	118/723 R
D556,704 S *	12/2007	Nakamura et al.	.....	D13/182
D557,226 S *	12/2007	Uchino et al.	.....	D13/182

D593,969 S *	6/2009	Li	.....	D13/182
D599,827 S *	9/2009	Yabe et al.	.....	D15/28
D600,722 S *	9/2009	Yabe et al.	.....	D15/28
D605,206 S *	12/2009	Yabe et al.	.....	D15/28
D620,031 S *	7/2010	Yabe et al.	.....	D15/28
D655,258 S *	3/2012	Honma et al.	.....	D13/182
D655,262 S *	3/2012	Honma et al.	.....	D13/182
D658,691 S *	5/2012	Suzuki et al.	.....	D15/138
D658,692 S *	5/2012	Suzuki et al.	.....	D15/138
D658,693 S *	5/2012	Suzuki et al.	.....	D15/138
D694,790 S *	12/2013	Matsumoto et al.	.....	D15/144

(Continued)

*Primary Examiner* — Elizabeth J Oswecki

(74) *Attorney, Agent, or Firm* — Patterson & Sheridan, LLP

(57) **CLAIM**

The ornamental design for an upper chamber liner, as shown and described.

**DESCRIPTION**

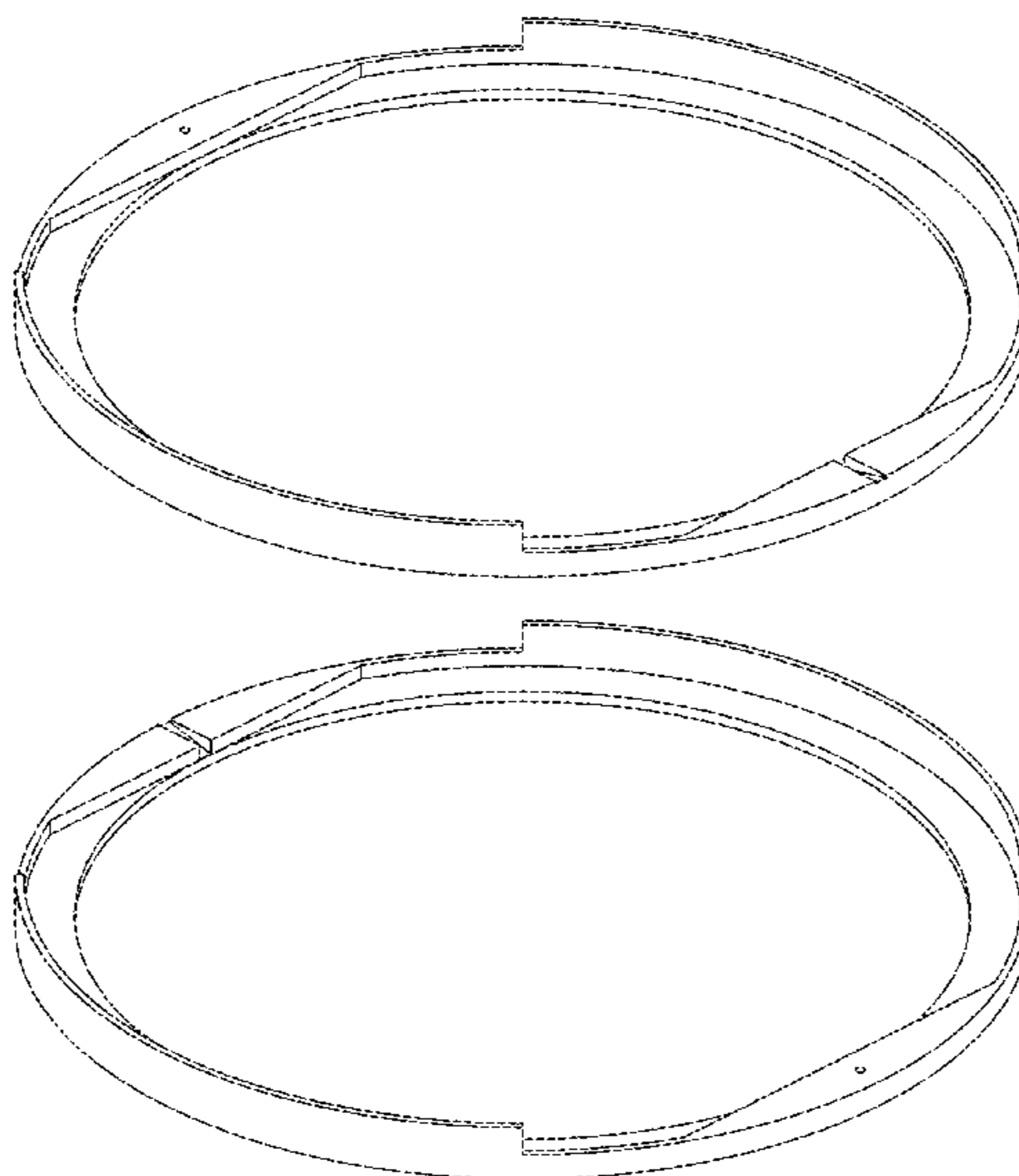
FIG. 1 is a top perspective view of an upper chamber liner showing our new design;  
FIG. 2 is another top perspective view thereof;  
FIG. 3 is a bottom perspective view thereof;  
FIG. 4 is another bottom perspective view thereof;  
FIG. 5 is a top plan view thereof;  
FIG. 6 is a bottom plan view thereof;  
FIG. 7 is a side view thereof;  
FIG. 8 is another side view thereof;  
FIG. 9 is a cross-sectional view taken along line 9-9 in FIG. 5;  
FIG. 10 is an enlarged top view of the upper portion of FIG. 9; and,  
FIG. 11 is an enlarged bottom view of the lower portion of FIG. 9.

The broken lines in the figures form no part of the claimed design.

The upper chamber liner is shown broken away in FIGS. 10 and 11 to indicate that no particular length is claimed.

All surfaces not shown, form no part of the claimed design.

**1 Claim, 6 Drawing Sheets**



# US D711,331 S

Page 2

---

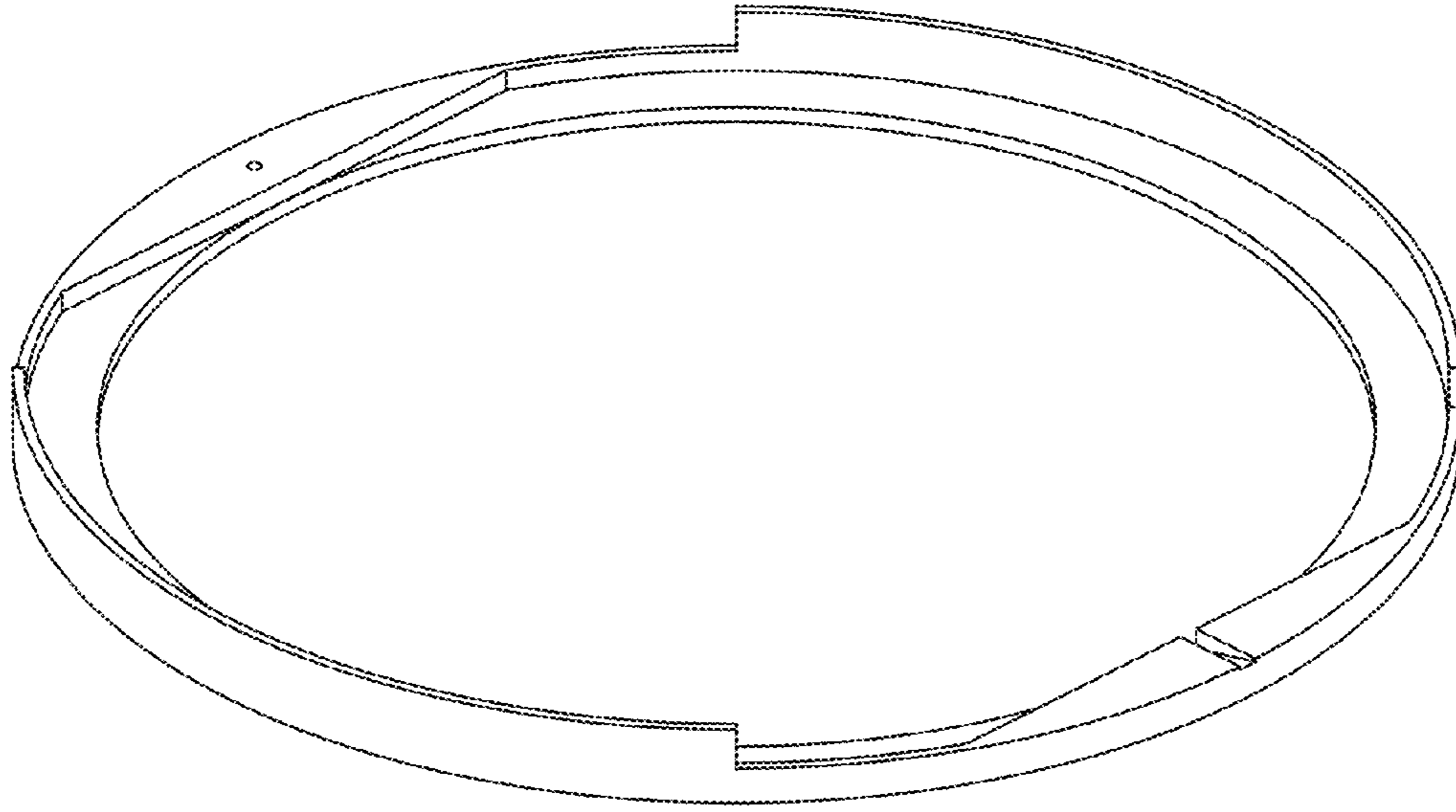
(56)

## References Cited

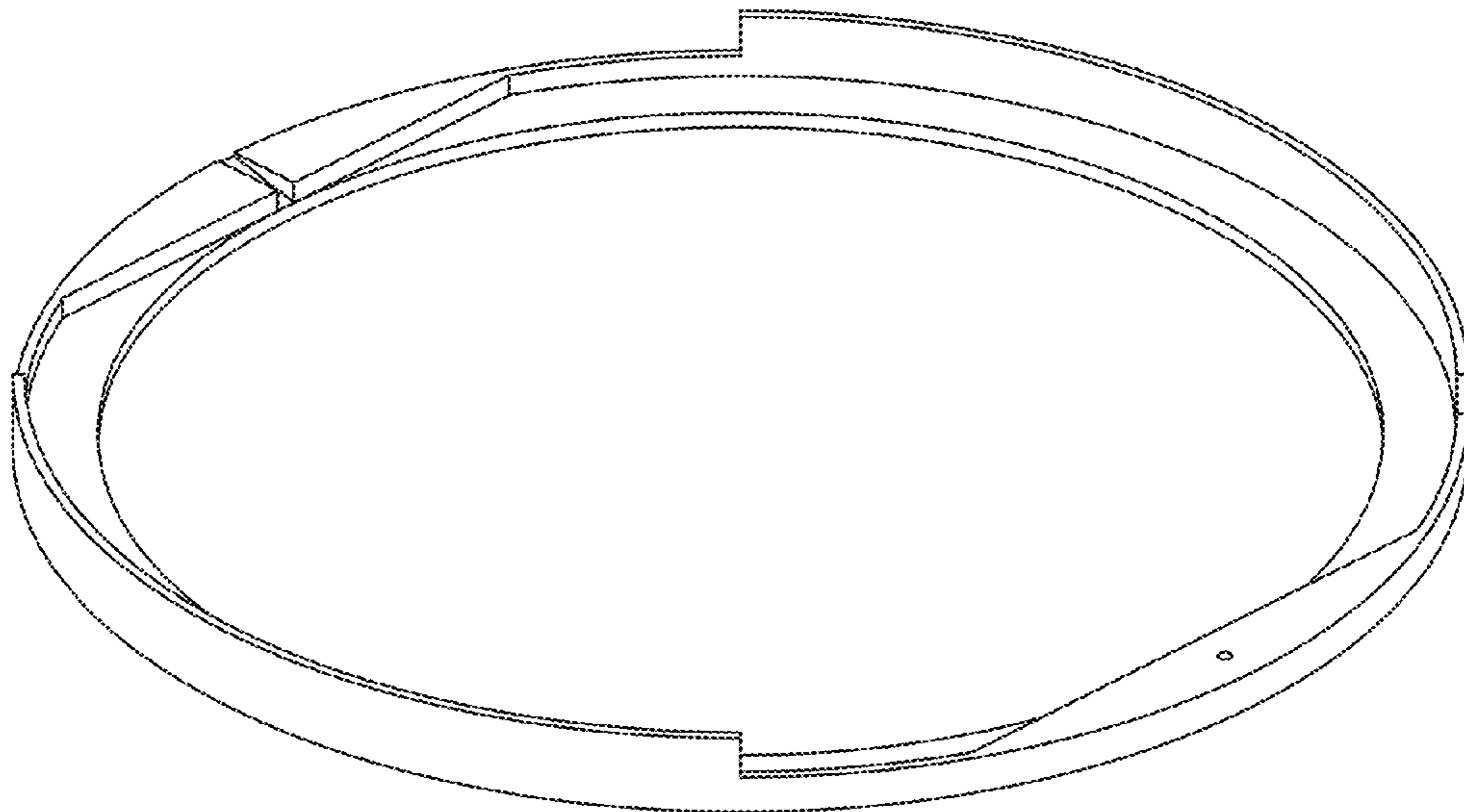
D697,038 S \* 1/2014 Matsumoto et al. .... D13/182  
2007/0113783 A1 \* 5/2007 Lee et al. .... 118/715

## U.S. PATENT DOCUMENTS

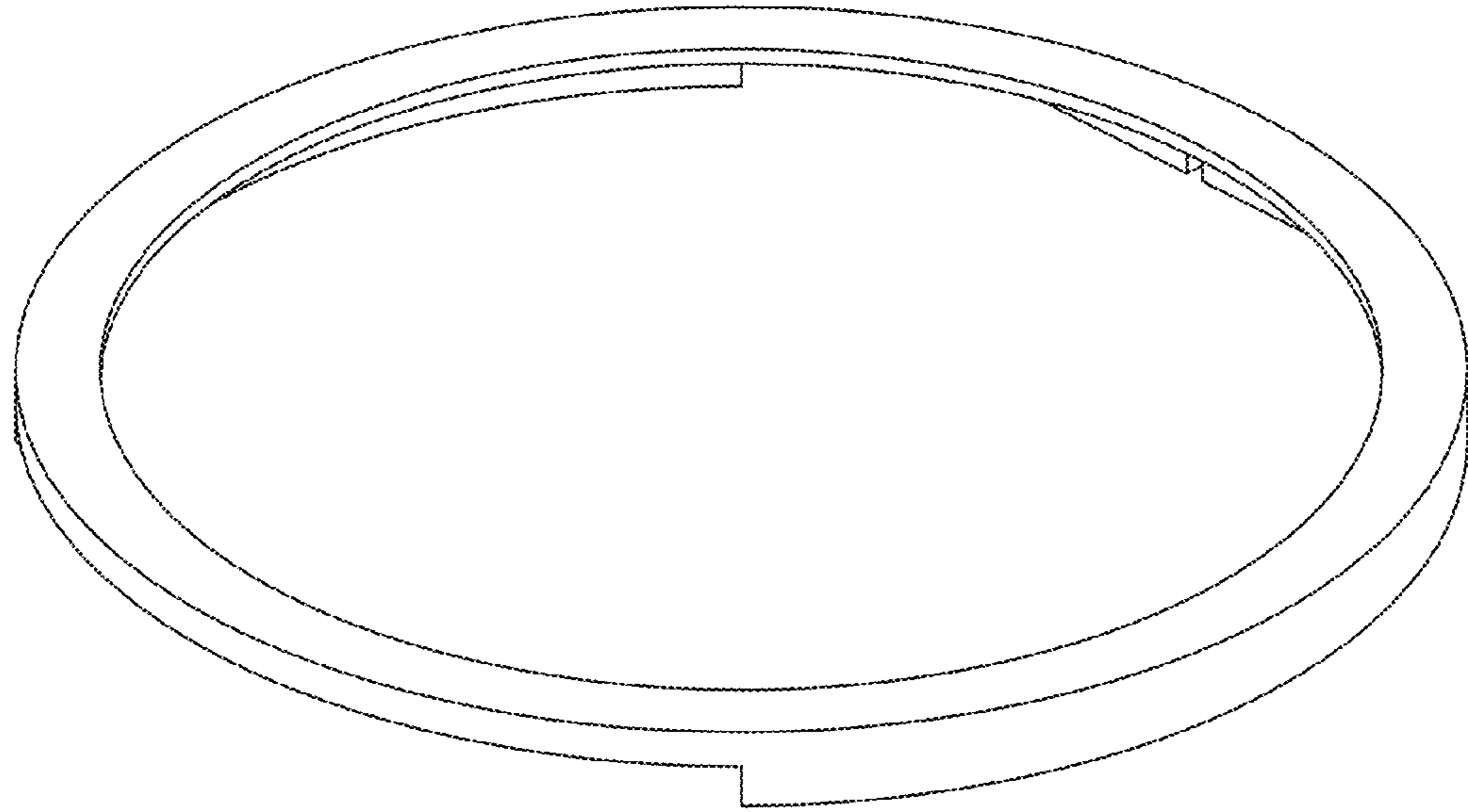
8,617,672 B2 \* 12/2013 Bhatnagar et al. .... 428/34.4 \* cited by examiner



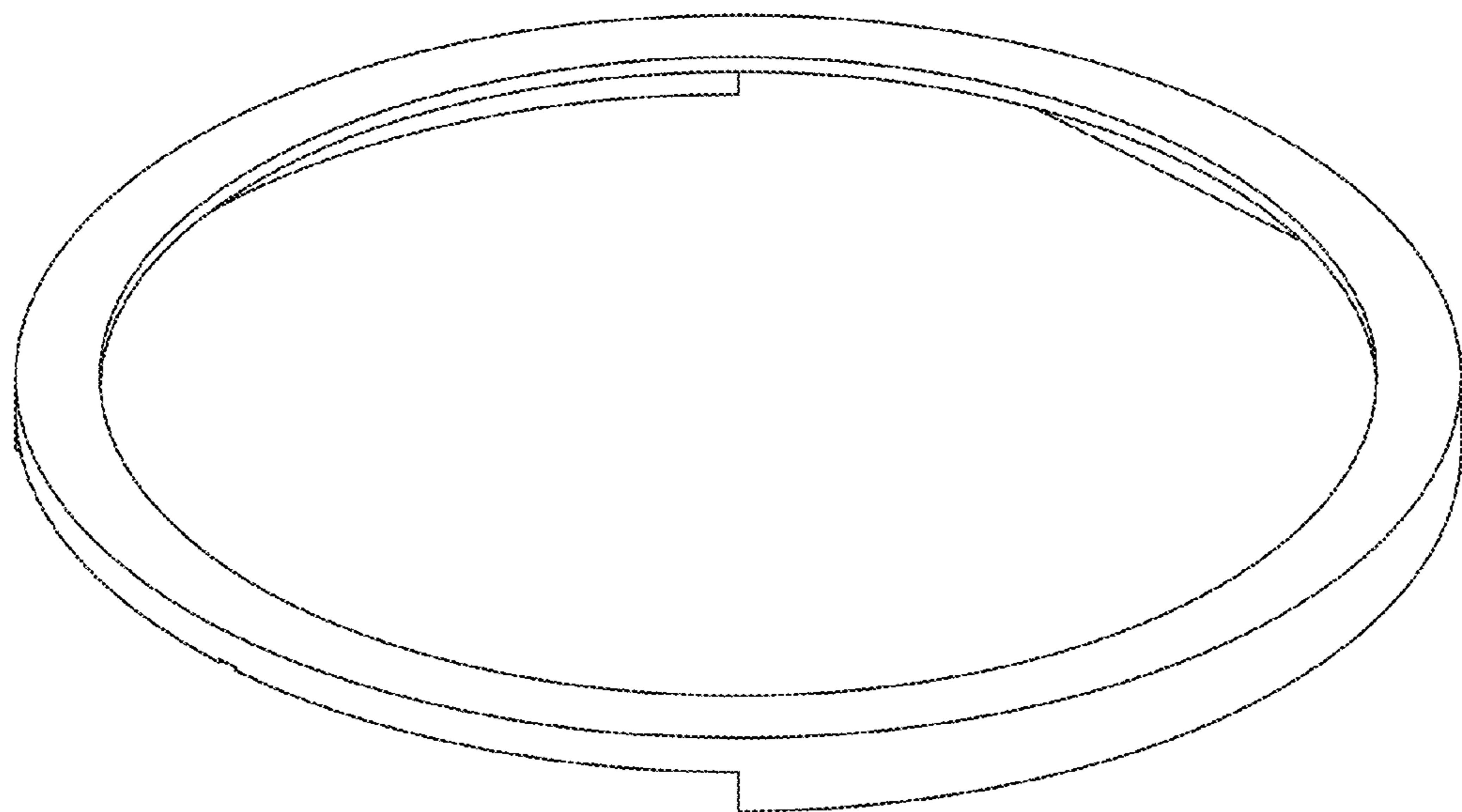
*Fig. 1*



*Fig. 2*



*Fig. 3*



*Fig. 4*

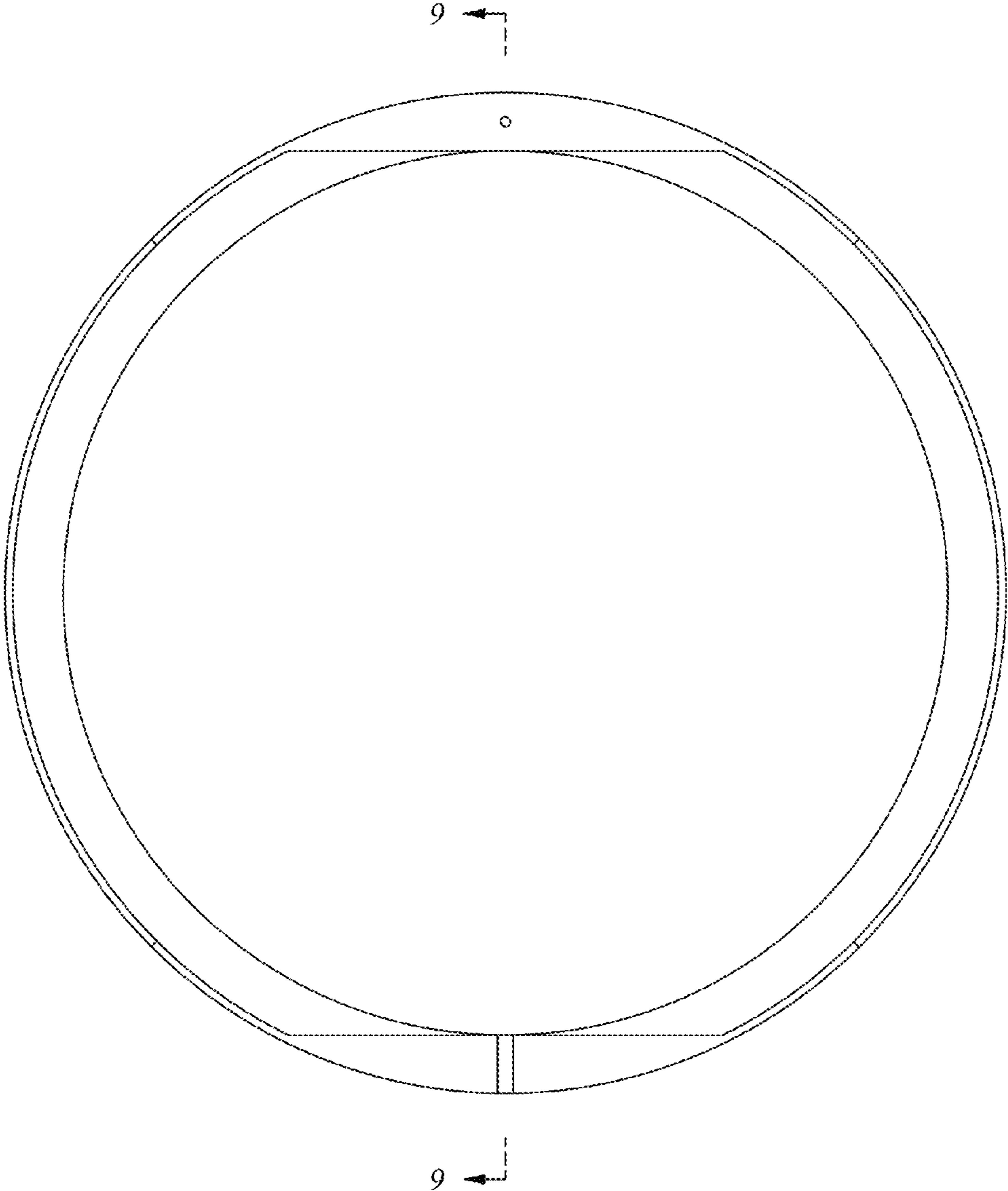
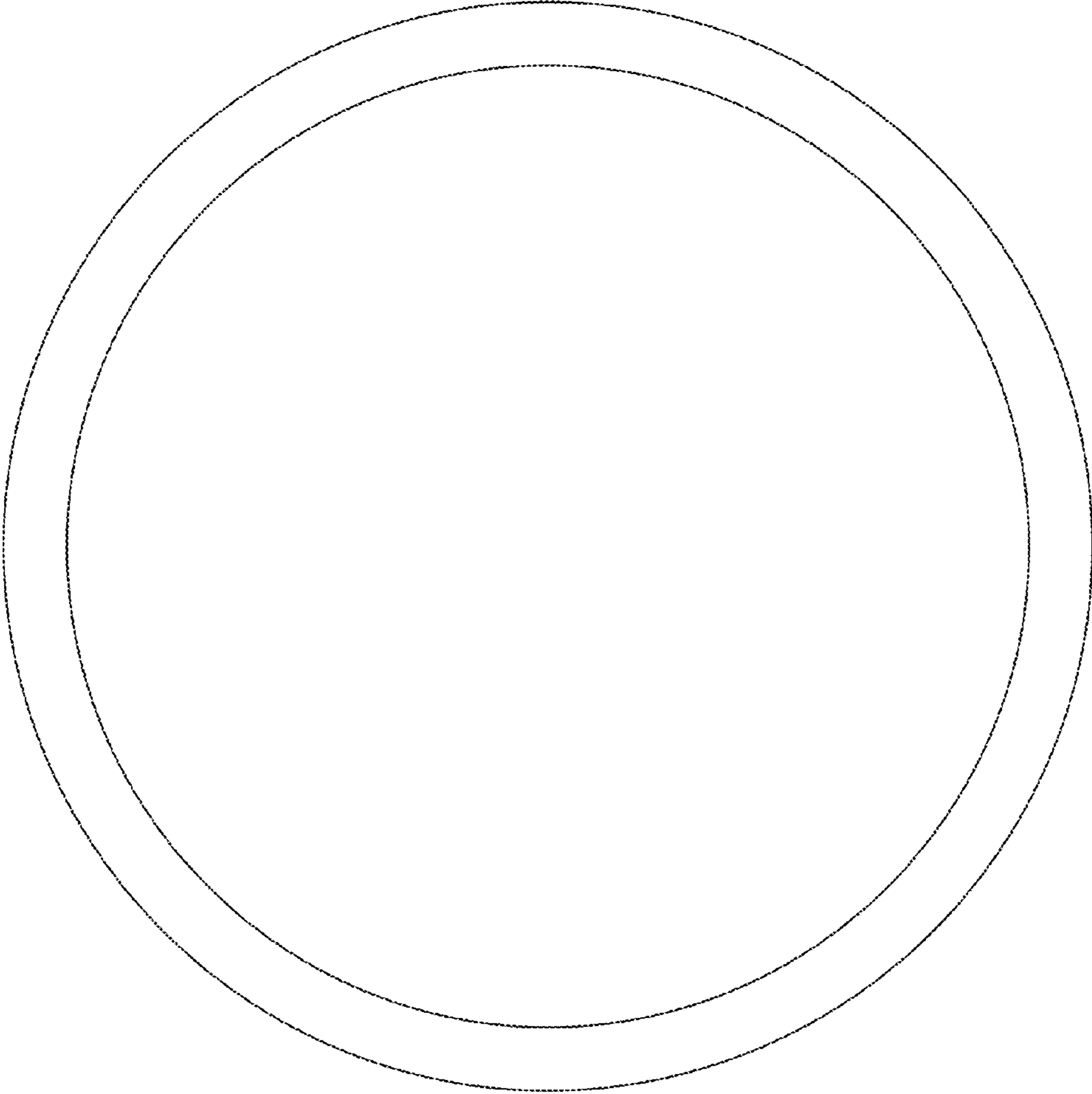
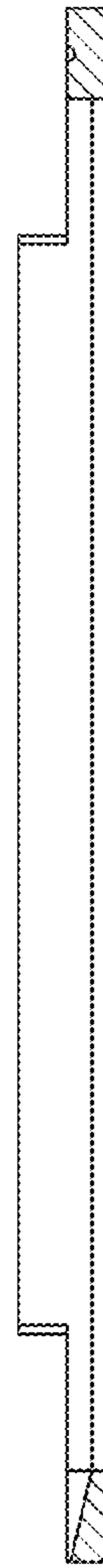


Fig. 5



*Fig. 6*

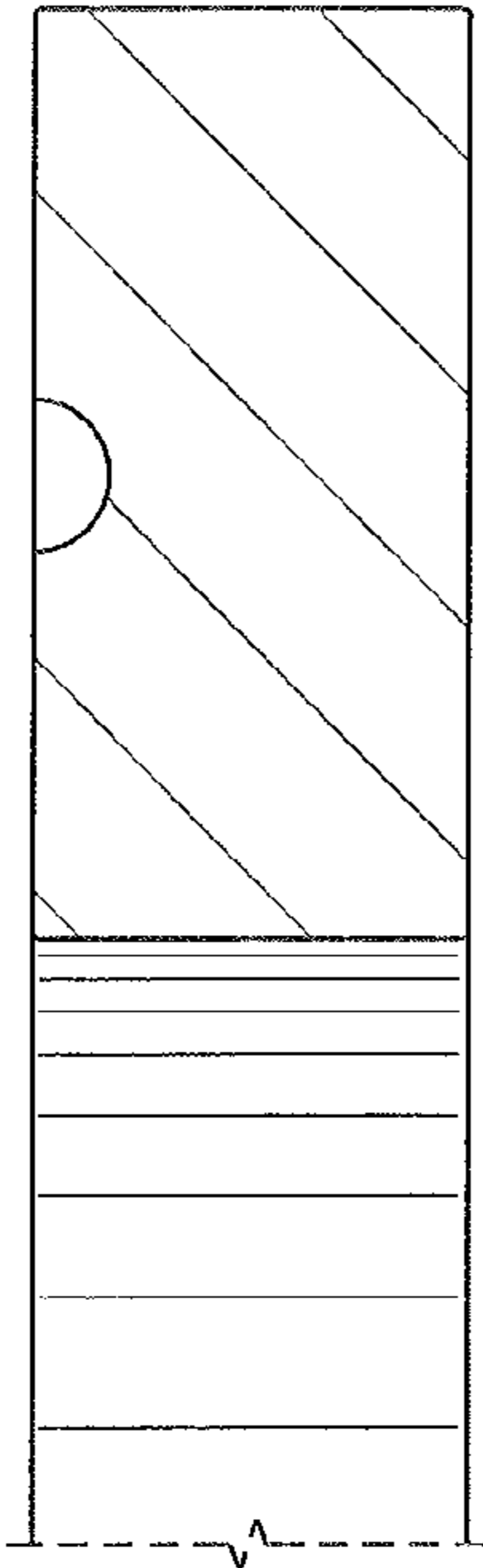


*Fig. 7*

*Fig. 8*

*Fig. 9*

*Fig. 10*



*Fig. 11*

