



US00D711329S

(12) **United States Design Patent**
Casagrande

(10) **Patent No.:** **US D711,329 S**

(45) **Date of Patent:** **** Aug. 19, 2014**

(54) **HOUSING FOR ELECTRICAL CONNECTORS**

(71) Applicant: **Industria Lombarda Materiale Elettrico I.L.M.E. S.p.A.**, Milan (IT)

(72) Inventor: **Alberto Casagrande**, Milan (IT)

(73) Assignee: **Industria Lombarda Materiale Elettrico I.L.M.E. S.p.A.**, Milan (IT)

(**) Term: **14 Years**

(21) Appl. No.: **29/485,003**

(22) Filed: **Mar. 14, 2014**

Related U.S. Application Data

(62) Division of application No. 29/388,522, filed on Mar. 30, 2011, now Pat. No. Des. 704,669.

(30) **Foreign Application Priority Data**

Sep. 30, 2010 (EM) 001761719

(51) **LOC (10) Cl.** **13-03**

(52) **U.S. Cl.**
USPC **D13/156**

(58) **Field of Classification Search**

USPC D13/152, 156, 184; 174/50, 50.52, 174/50.53, 53-60, 66-67, 521; 220/3.2, 220/3.3, 3.7, 3.8, 3.9, 241-244; 439/135-138, 142, 367, 373, 535-537, 439/541, 892, 938

See application file for complete search history.

(56) **References Cited**

U.S. PATENT DOCUMENTS

665,676 A 1/1901 Greenfield
689,335 A 12/1901 Thomas
1,264,450 A 4/1918 Sweet

D130,945 S 10/1940 Fogel
D134,996 S 12/1942 Kaminky
D236,481 S 8/1975 Johnston
D272,143 S 1/1984 Varney
D273,104 S 3/1984 Cousins
D311,379 S 10/1990 Kuzuno et al.
5,744,754 A * 4/1998 Strang et al. 174/650
D403,659 S * 1/1999 Lesesky D13/156
D429,485 S * 8/2000 Munch et al. D13/156
6,838,615 B2 1/2005 Pyron
D524,755 S 7/2006 Kudo
D525,941 S 8/2006 Kudo
D552,558 S 10/2007 Kelly et al.
D579,417 S 10/2008 Stuckmann et al.
D581,365 S 11/2008 Stuckmann et al.
7,491,884 B2 2/2009 Schmidt et al.
7,538,272 B1 * 5/2009 Shotey et al. 174/66
7,732,709 B2 6/2010 Puri et al.
2006/0037773 A1 * 2/2006 Castaldo et al. 174/66

* cited by examiner

Primary Examiner — Derrick Holland

Assistant Examiner — Lauren Calve

(74) *Attorney, Agent, or Firm* — Young & Thompson

(57) **CLAIM**

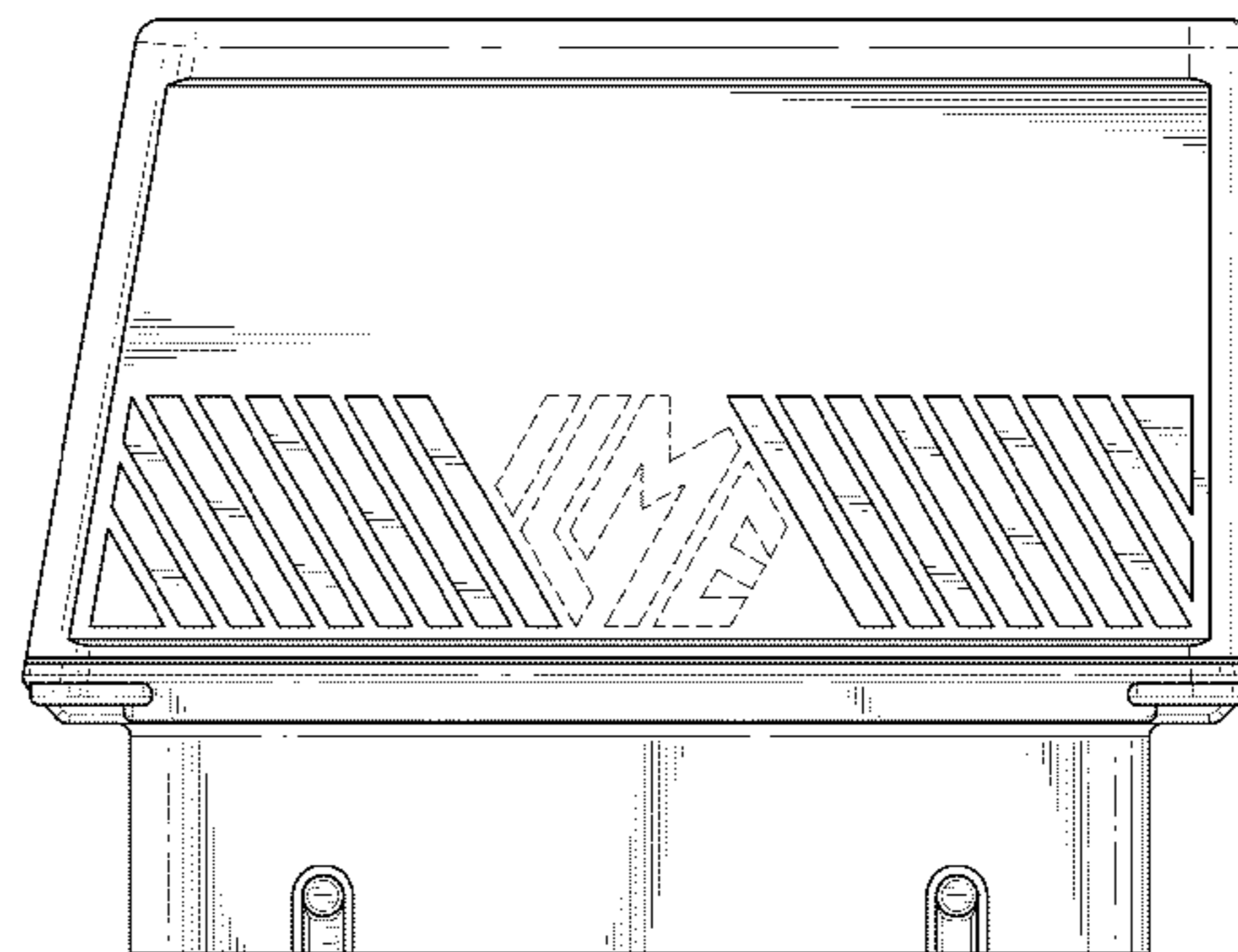
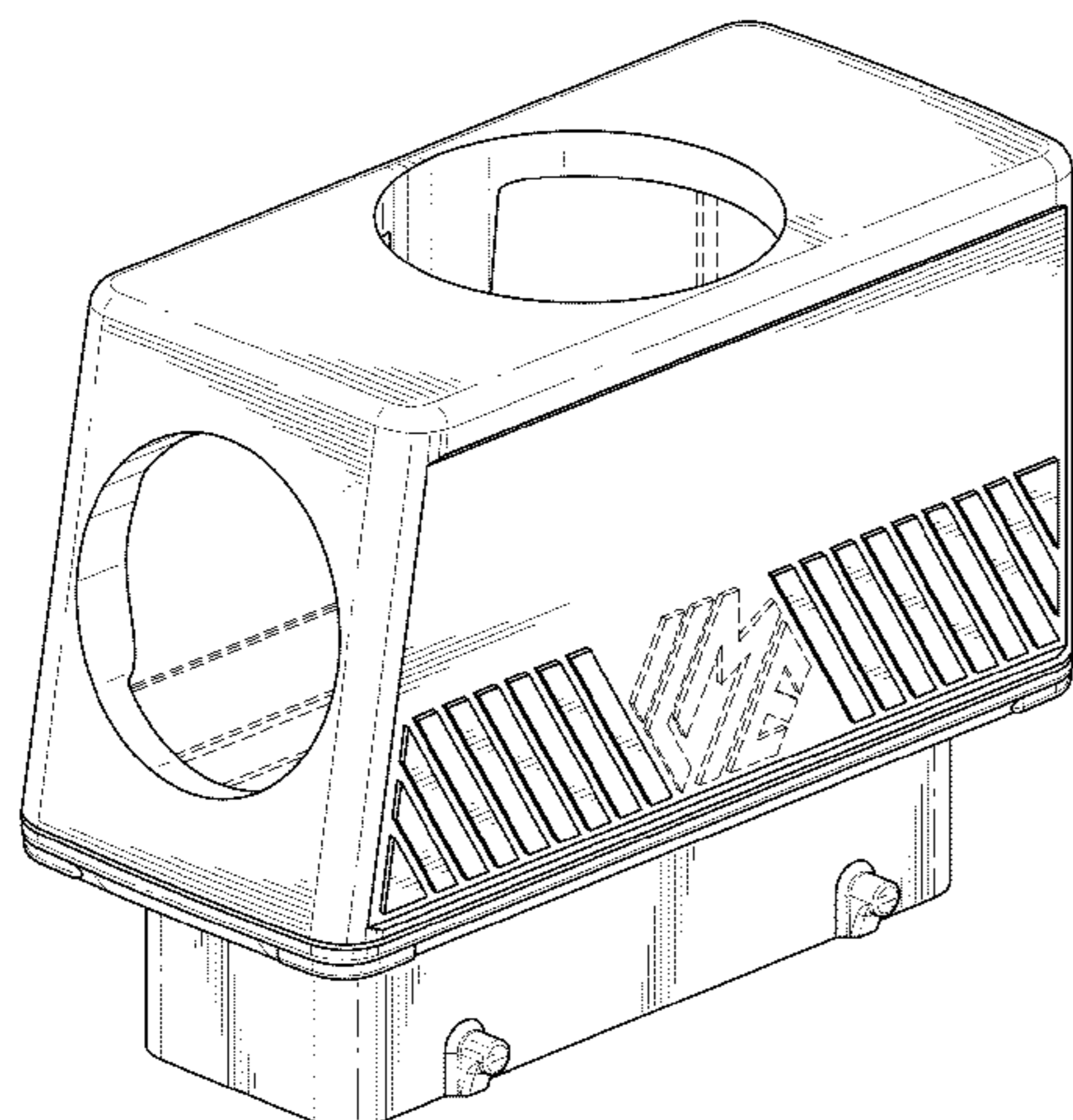
The ornamental design for a housing for electrical connectors, as shown and described.

DESCRIPTION

FIG. 1 is a front, left side and top perspective view of a housing for electrical connectors showing the new design; FIG. 2 is a right side elevation view thereof; FIG. 3 is a left side elevation view thereof; FIG. 4 is a front elevation view thereof; FIG. 5 is a rear elevation view thereof; FIG. 6 is a top plan view thereof; and, FIG. 7 is a bottom plan view thereof.

The broken lines shown in FIGS. 1-3 and 6-7 represent unclaimed subject matter and form no part of the claimed design.

1 Claim, 4 Drawing Sheets



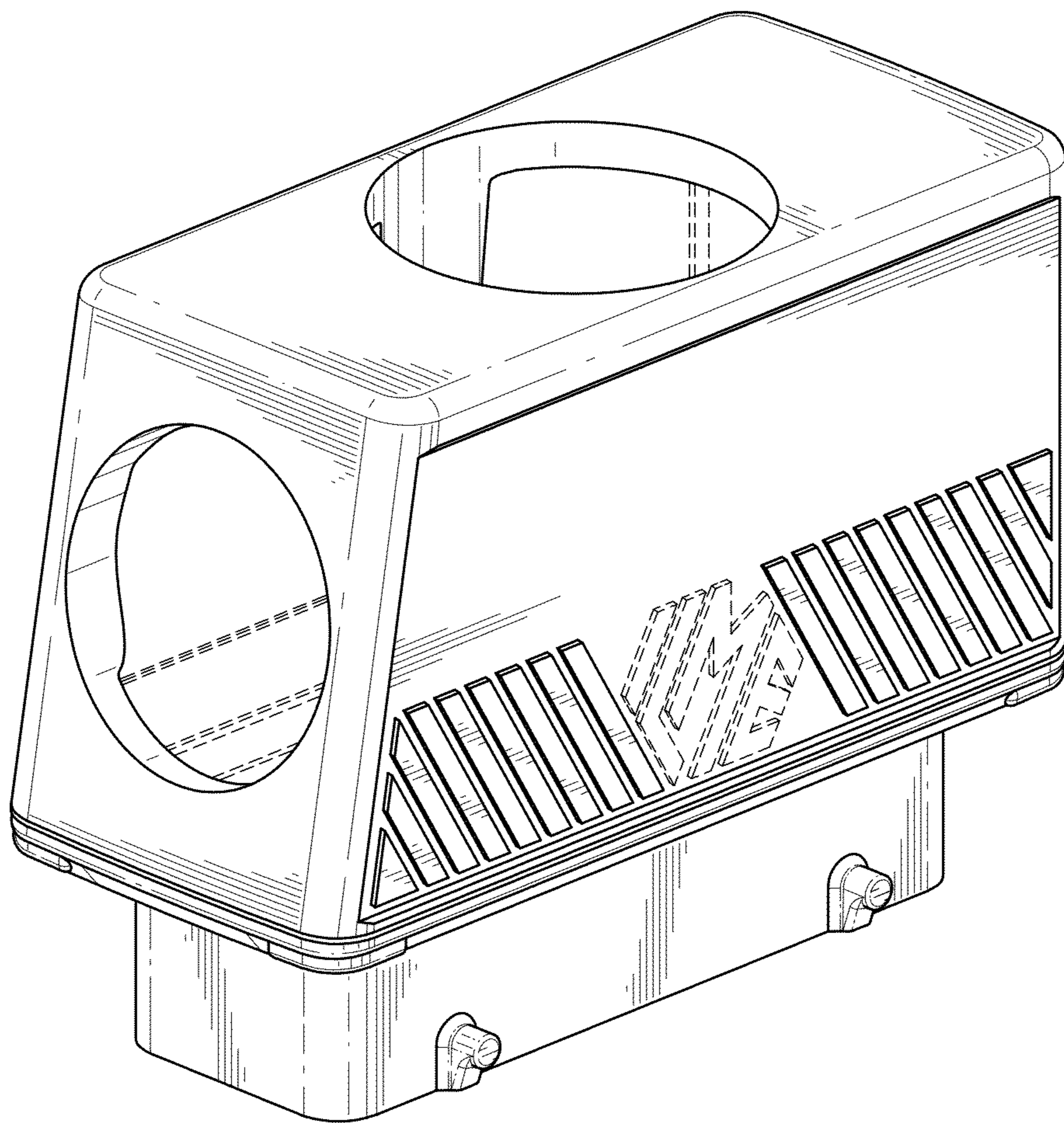


FIG. 1

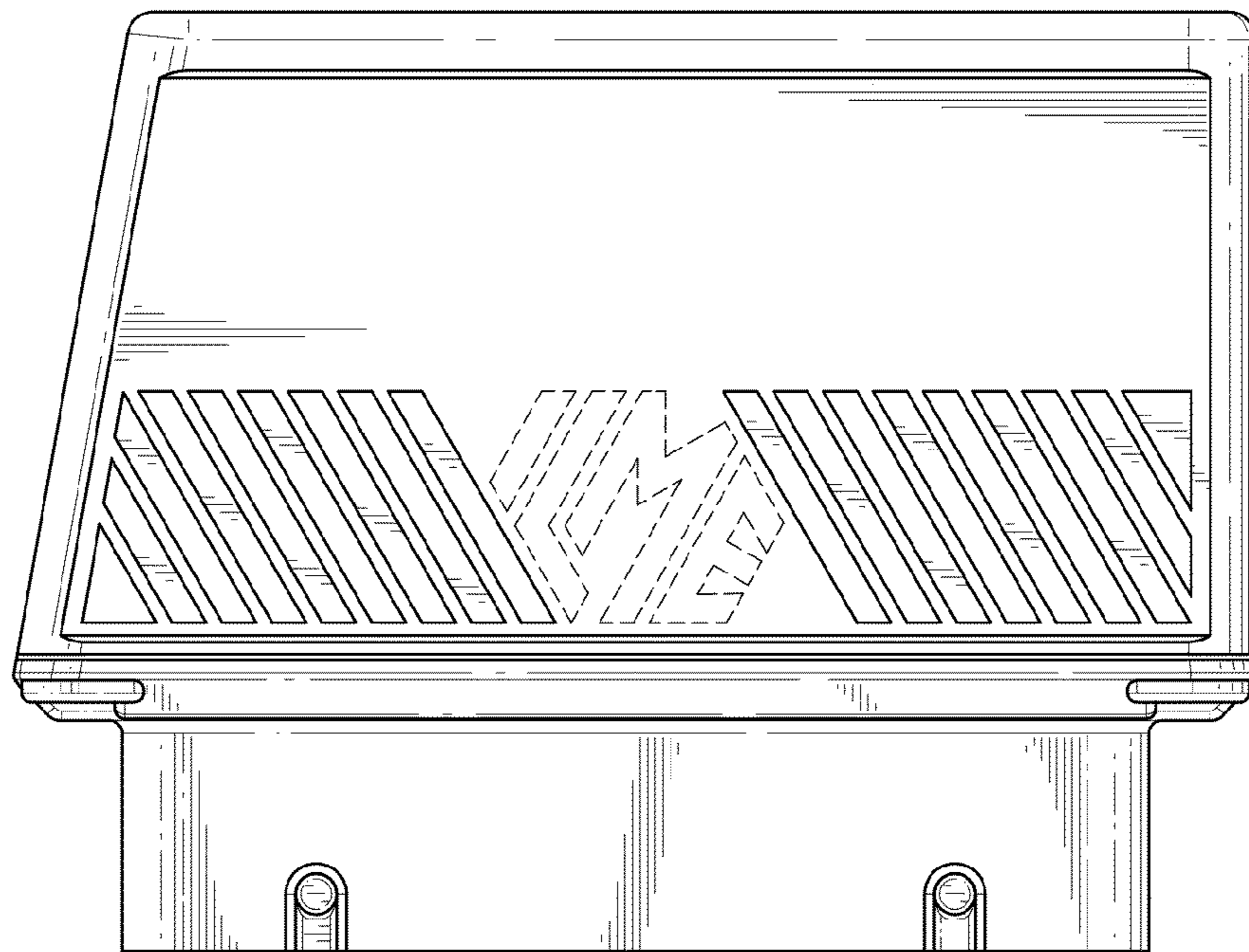


FIG. 2

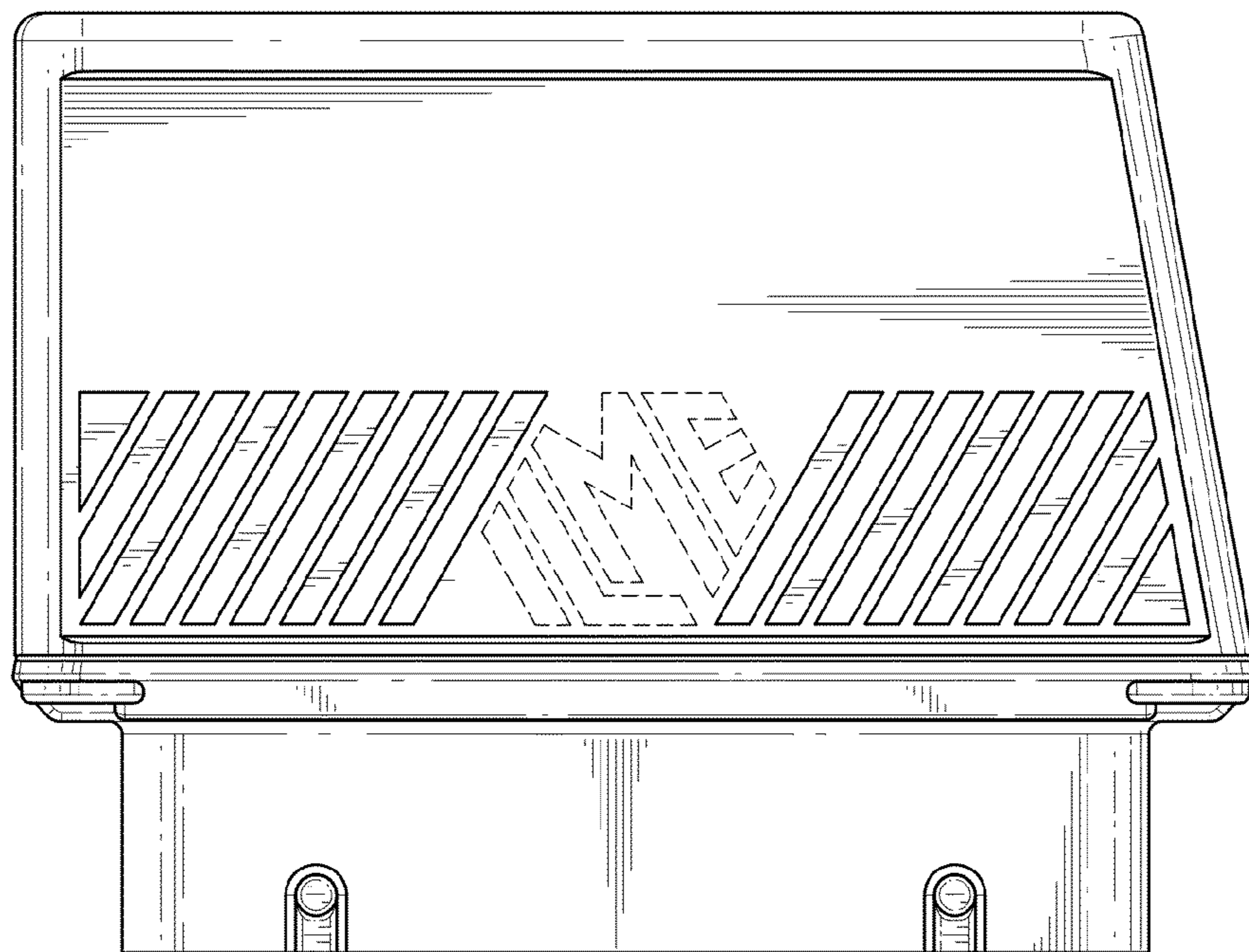


FIG. 3

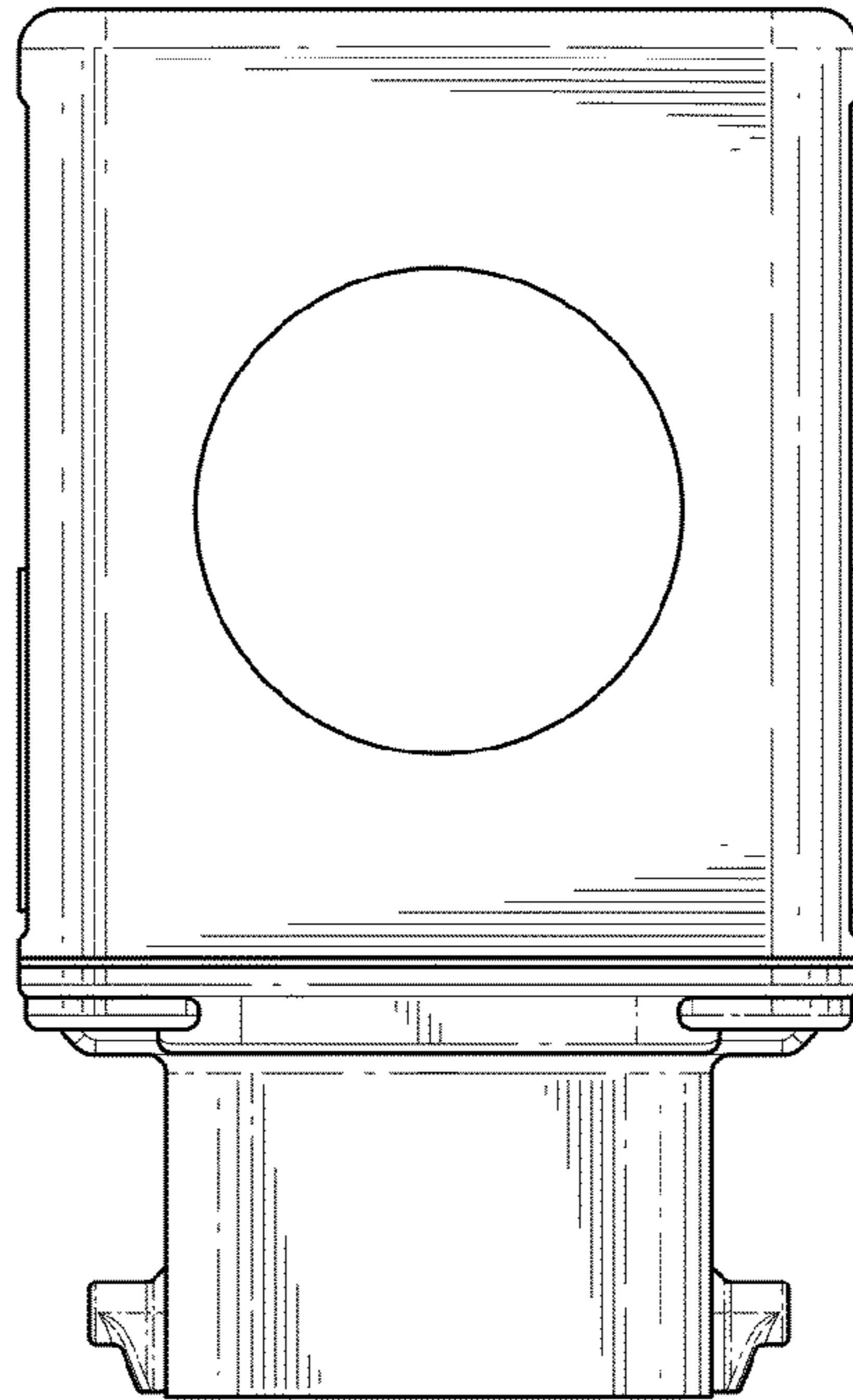


FIG. 4

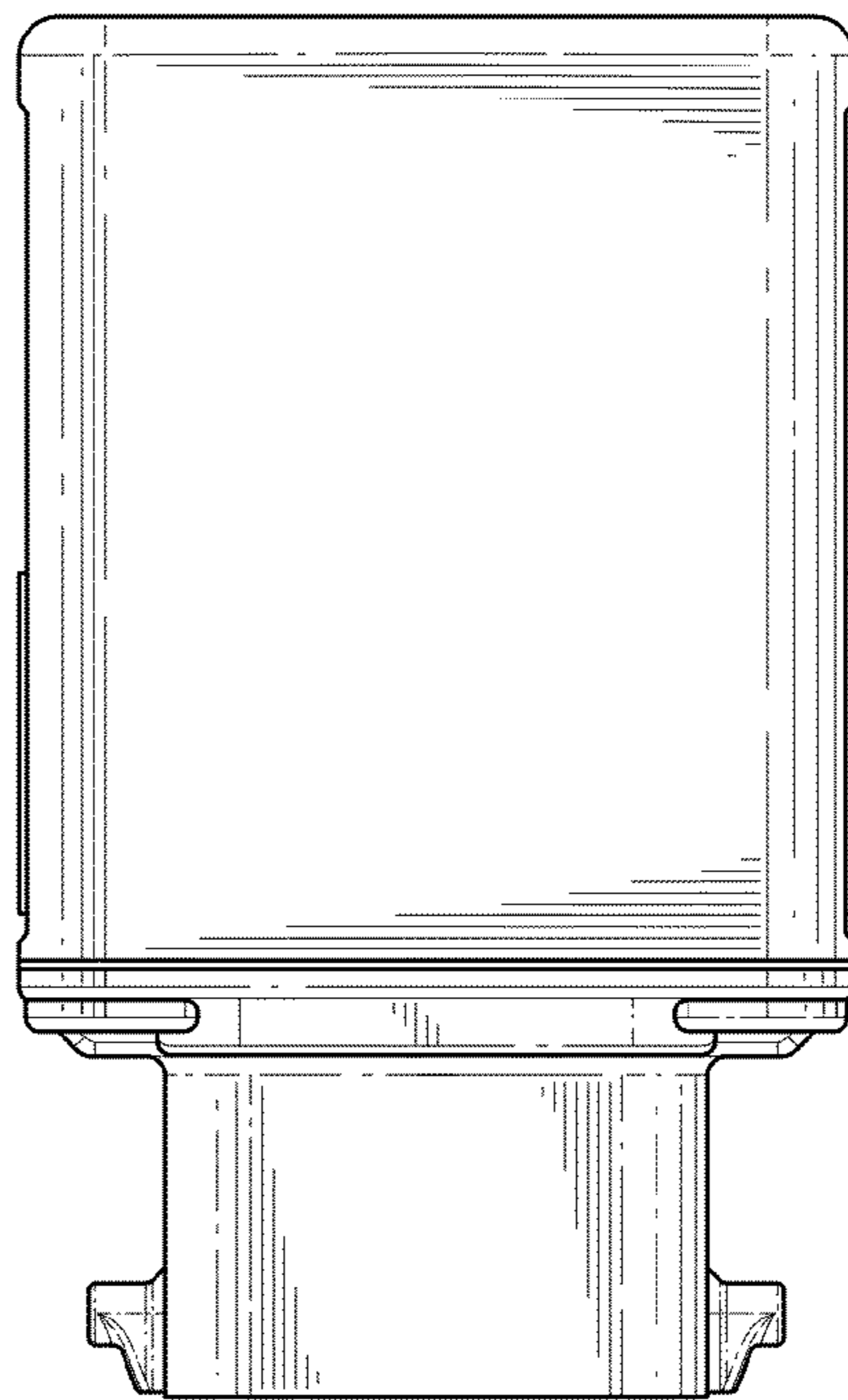


FIG. 5

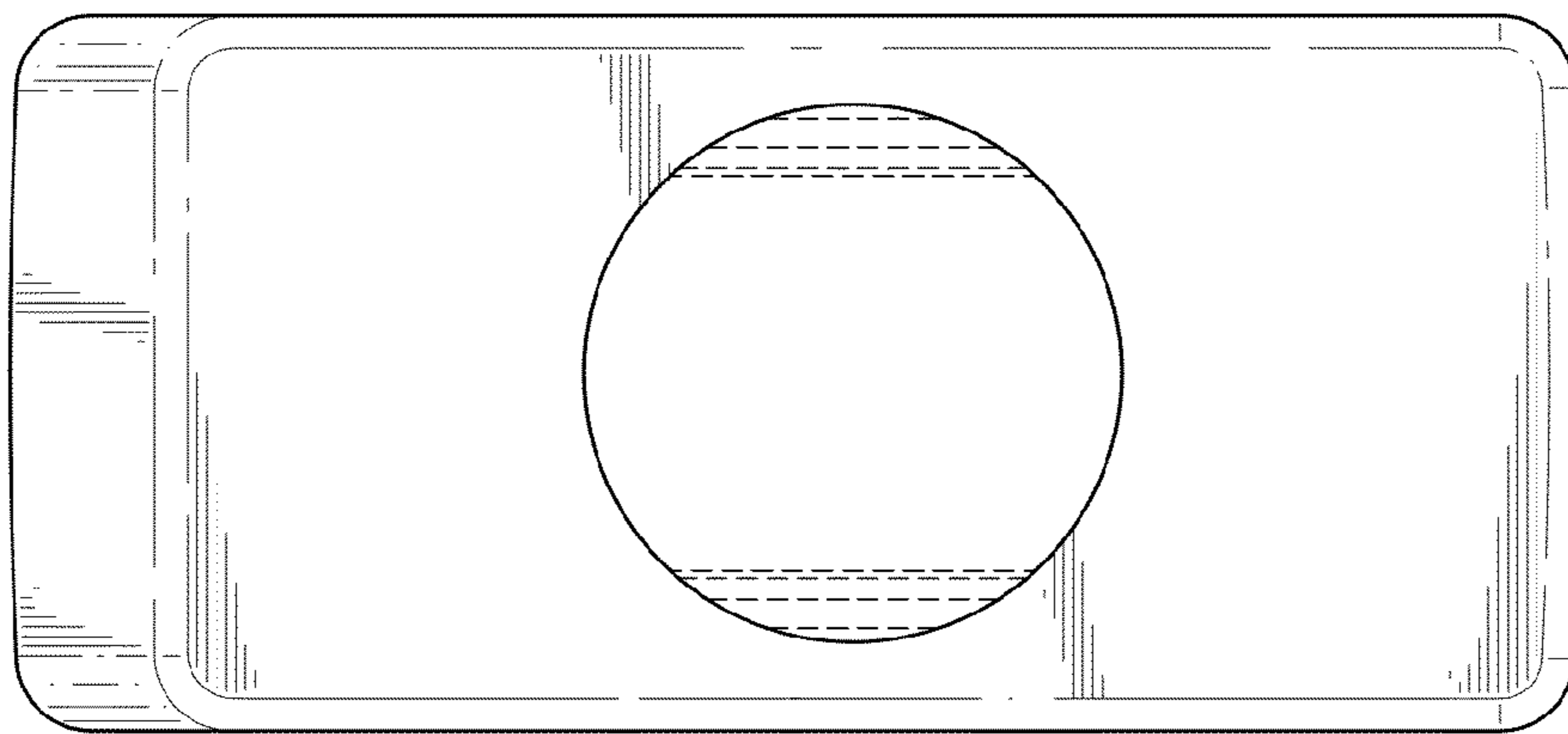


FIG. 6

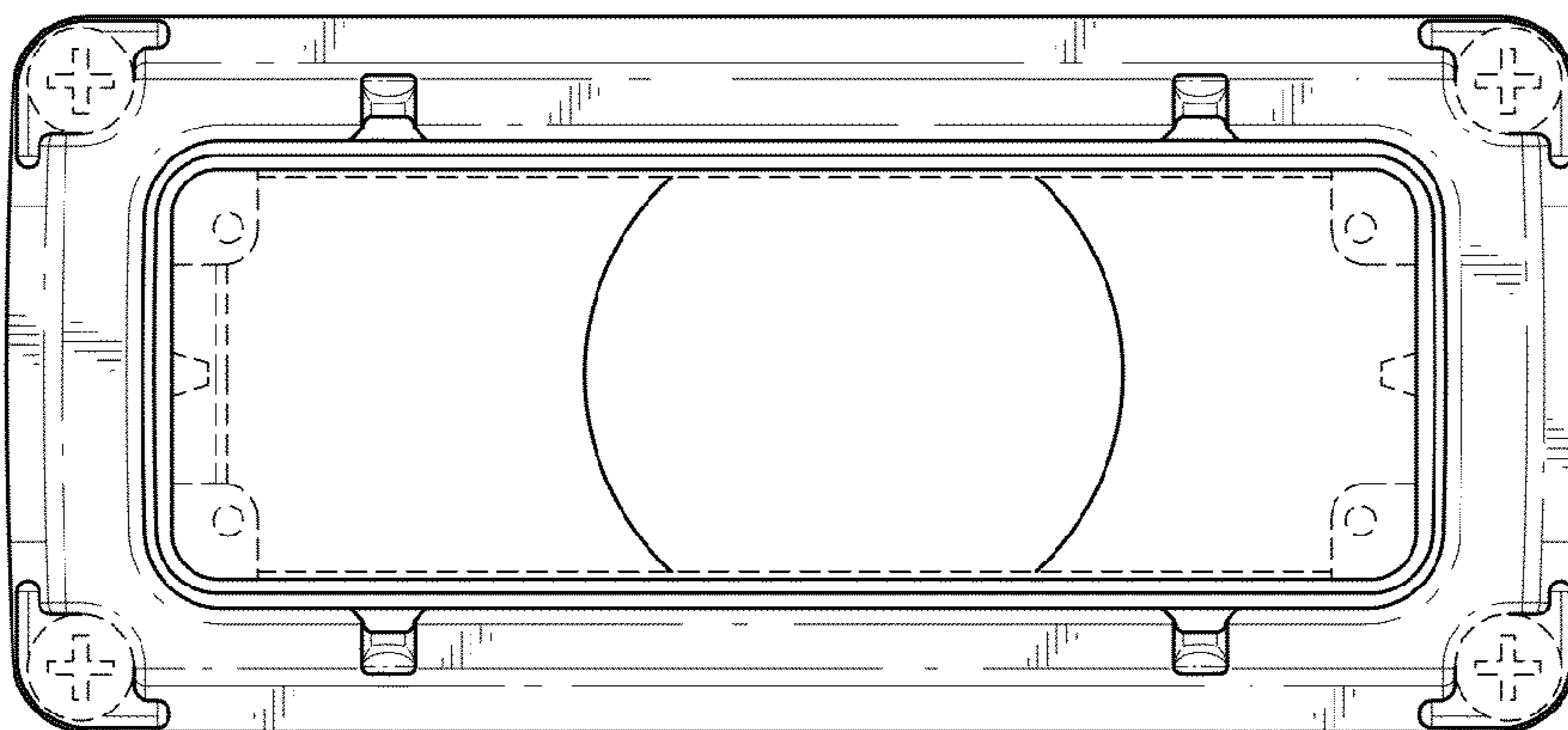


FIG. 7