



US00D711328S

(12) **United States Design Patent**
Purdy et al.

(10) **Patent No.:** **US D711,328 S**

(45) **Date of Patent:** **** *Aug. 19, 2014**

(54) **NUT SEAL ASSEMBLY FOR A COAXIAL CABLE CONNECTOR**

(75) Inventors: **Eric Purdy**, Constantia, NY (US);
Jeremy Amidon, Marcellus, NY (US)

(73) Assignee: **PPC Broadband, Inc.**, East Syracuse, NY (US)

(*) Notice: This patent is subject to a terminal disclaimer.

(**) Term: **14 Years**

(21) Appl. No.: **29/379,981**

(22) Filed: **Nov. 29, 2010**

(51) **LOC (10) Cl.** **13-03**

(52) **U.S. Cl.**
USPC **D13/156**

(58) **Field of Classification Search**
USPC D13/156, 101, 133, 153, 154, 184, 199;
411/190, 191, 259, 303, 307; 439/271,
439/275, 277, 278, 279, 281, 282, 283, 445,
439/447, 578, 583, 584, 927
See application file for complete search history.

(56) **References Cited**

U.S. PATENT DOCUMENTS

D244,533 S	5/1977	Eidelberg	
D252,703 S	8/1979	Cupit	
5,454,675 A *	10/1995	DeHaitre	411/303
5,564,942 A *	10/1996	Lee	439/462
D431,812 S	10/2000	Malak	
D432,087 S	10/2000	Malak	
D432,090 S	10/2000	Malak	

D432,993 S	10/2000	Palinkas	
D456,363 S *	4/2002	Lee	D13/154
D504,113 S	4/2005	Montena	
7,097,500 B2	8/2006	Montena	
7,179,100 B2	2/2007	Montena	
7,186,127 B2	3/2007	Montena	
D549,178 S	8/2007	Amidon	
D549,179 S *	8/2007	Amidon	D13/151
7,402,063 B2	7/2008	Montena	
D575,744 S	8/2008	Amidon	
7,500,874 B2	3/2009	Montena	
7,632,141 B2 *	12/2009	Malak	439/578
D607,827 S *	1/2010	Shaw	D13/151
D642,538 S *	8/2011	Montena et al.	D13/156
D642,990 S *	8/2011	Montena et al.	D13/156

* cited by examiner

Primary Examiner — Derrick Holland

(74) *Attorney, Agent, or Firm* — Hiscock & Barclay LLP

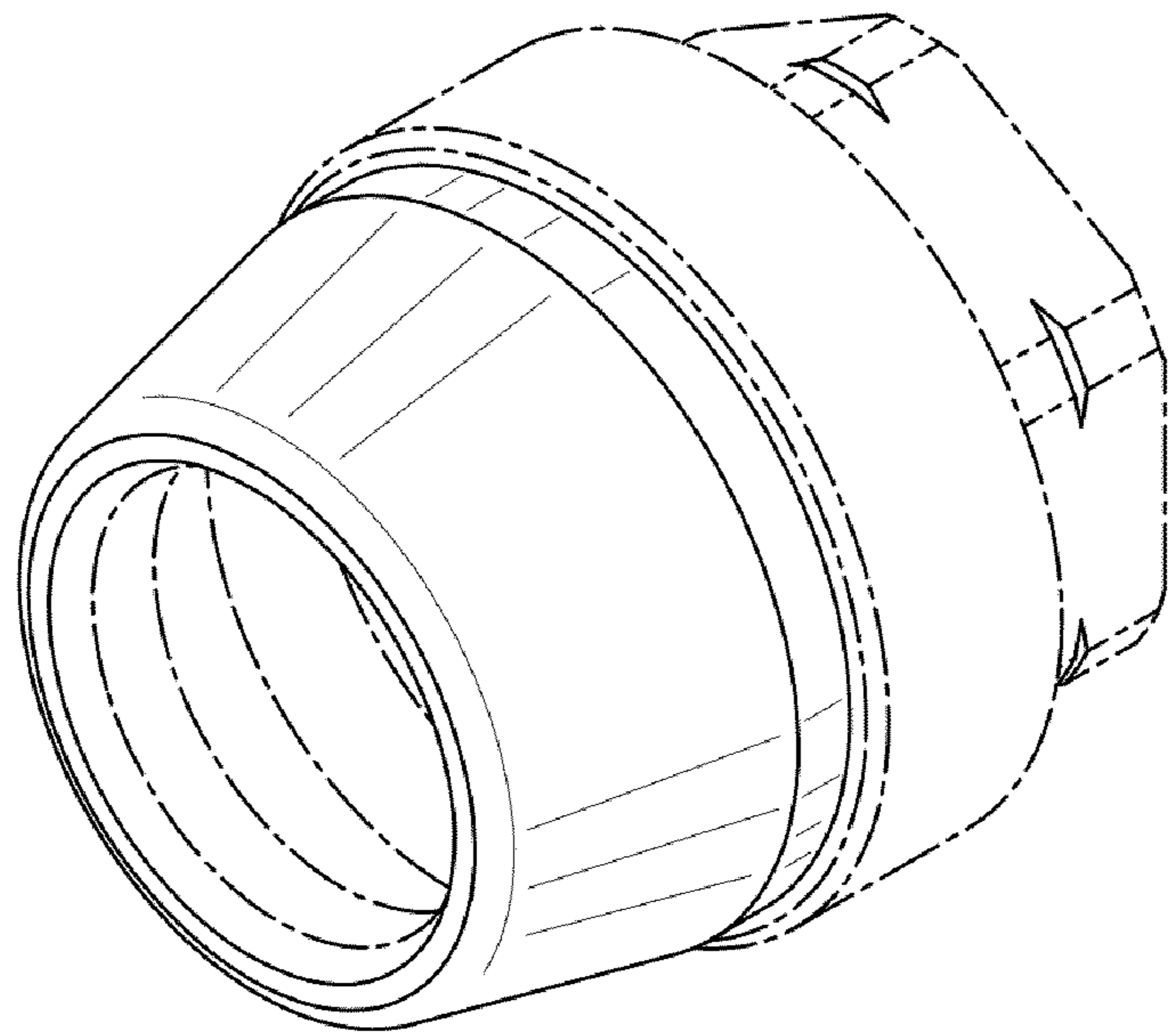
(57) **CLAIM**

The ornamental design for a nut-seal assembly for a coaxial cable connector, as shown and described.

DESCRIPTION

FIG. 1 is a front perspective view of the present invention showing our design for a nut seal assembly for a coaxial cable connector;
FIG. 2 is a left side view thereof, the claimed portion of which is a mirror image to a right side view;
FIG. 3 is a top view thereof, the claimed portion of which is a mirror image to a bottom view;
FIG. 4 is a front view thereof; and,
FIG. 5 is a rear view thereof.
The broken lines shown represent unclaimed subject matter and form no part of the claimed design.

1 Claim, 1 Drawing Sheet



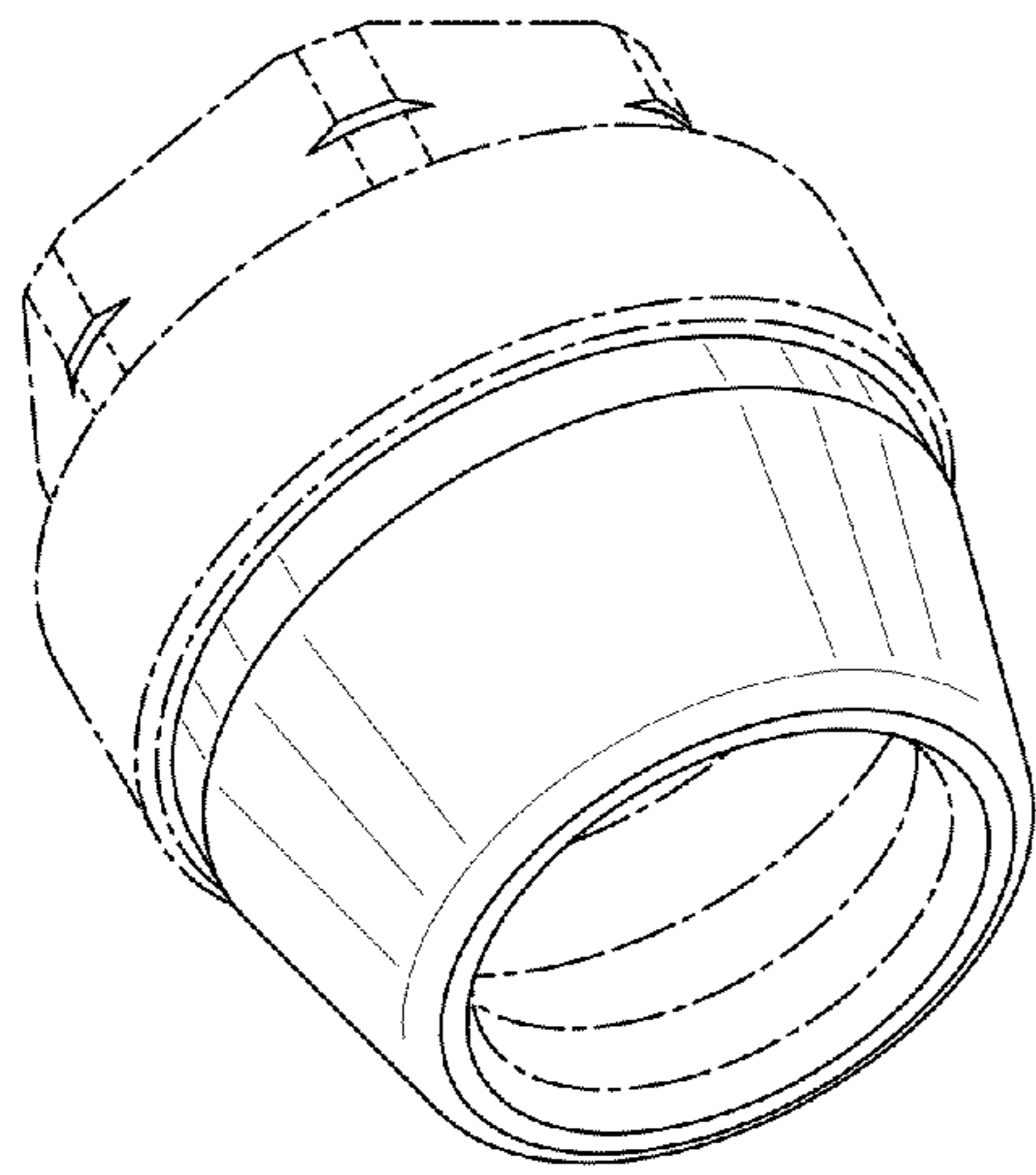


FIG. 1

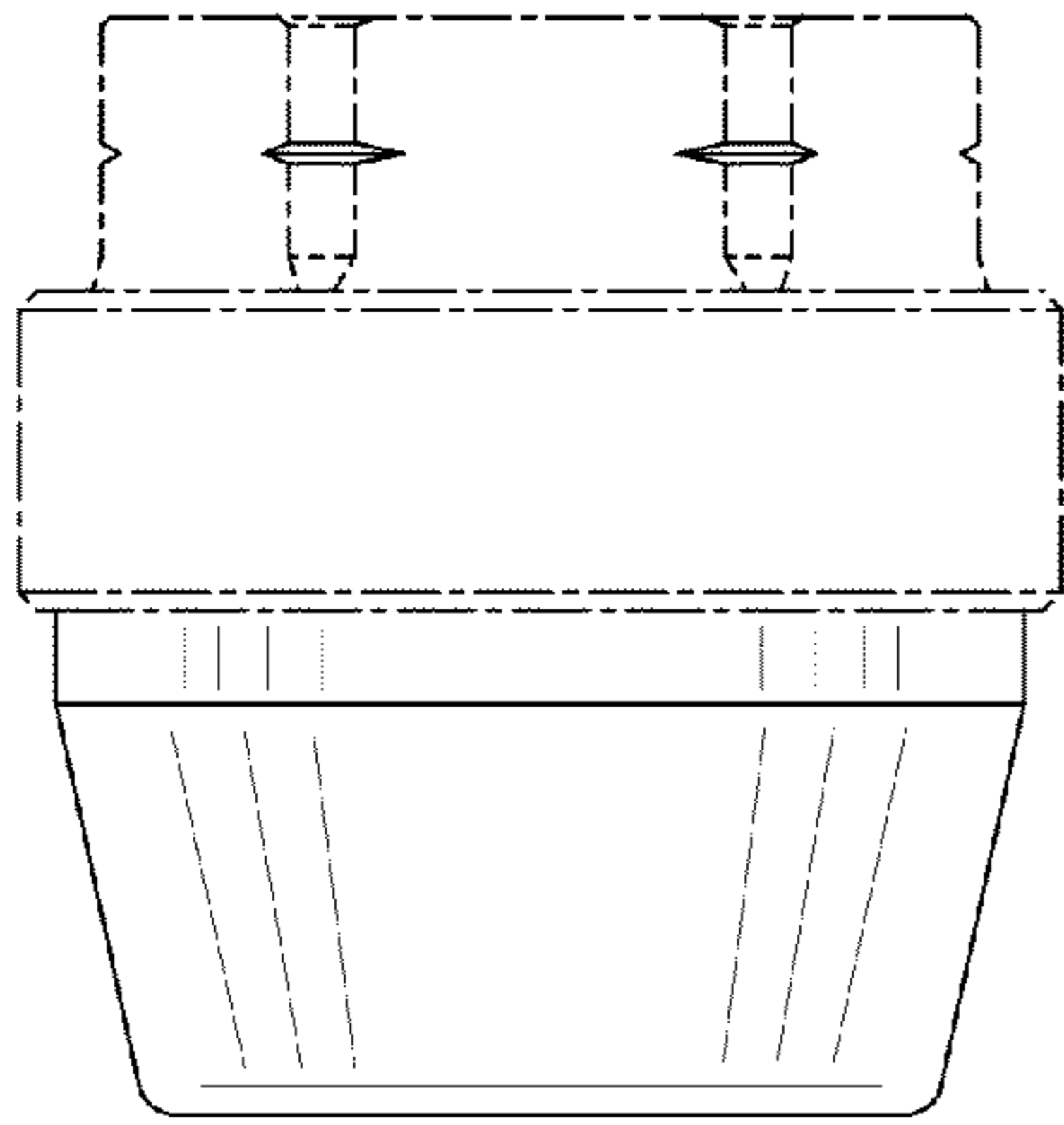


FIG. 2

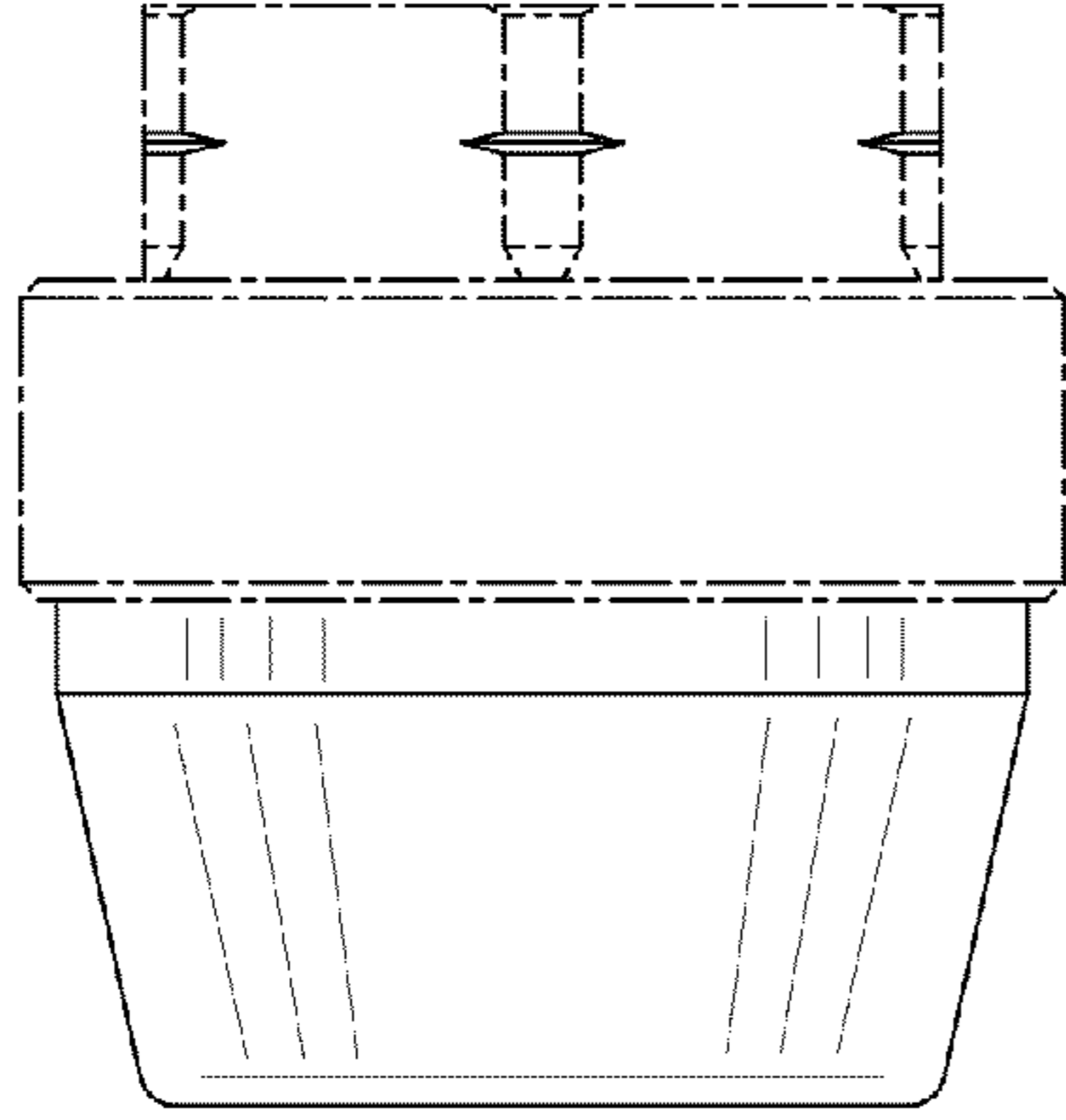


FIG. 3

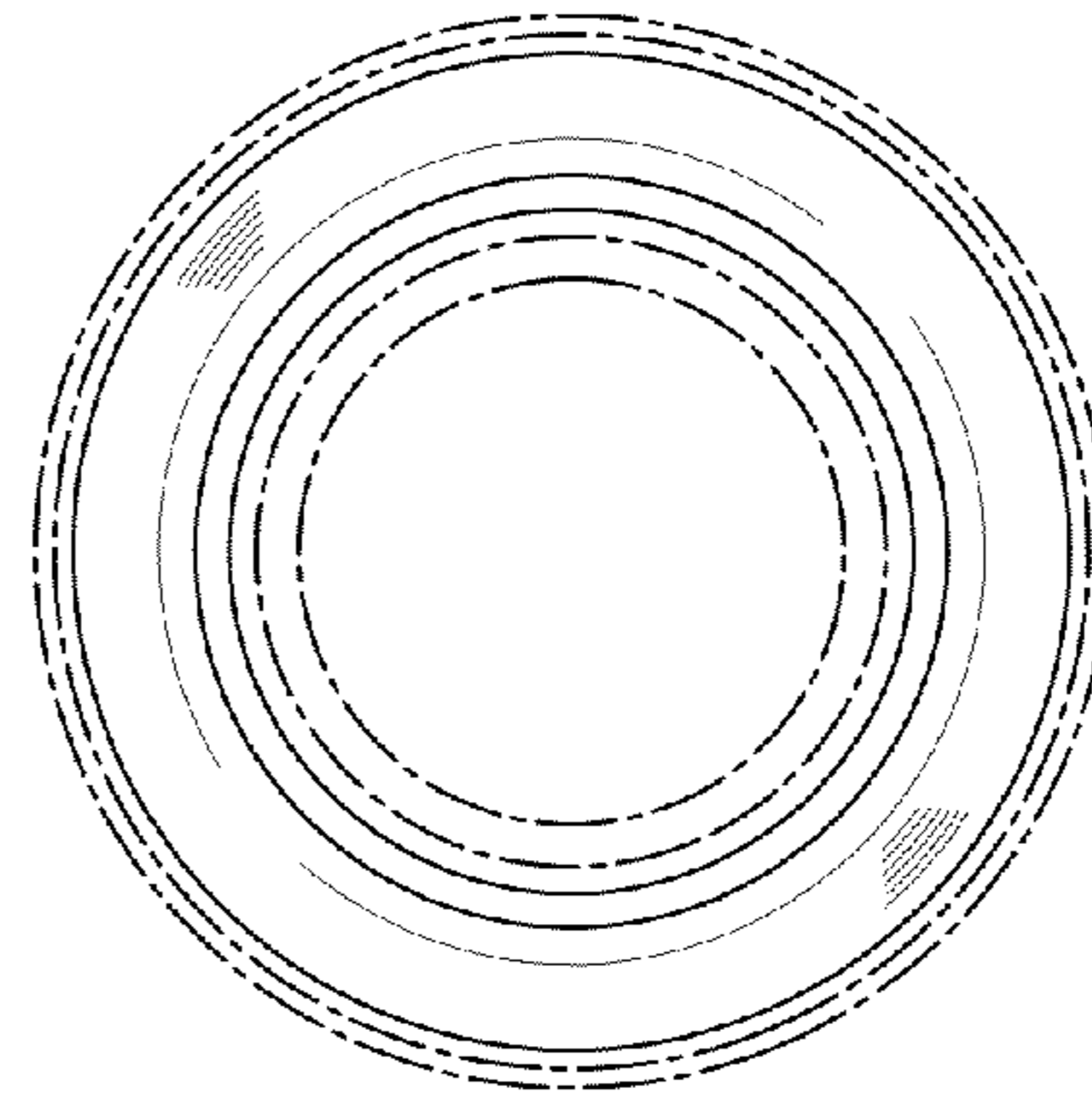


FIG. 4

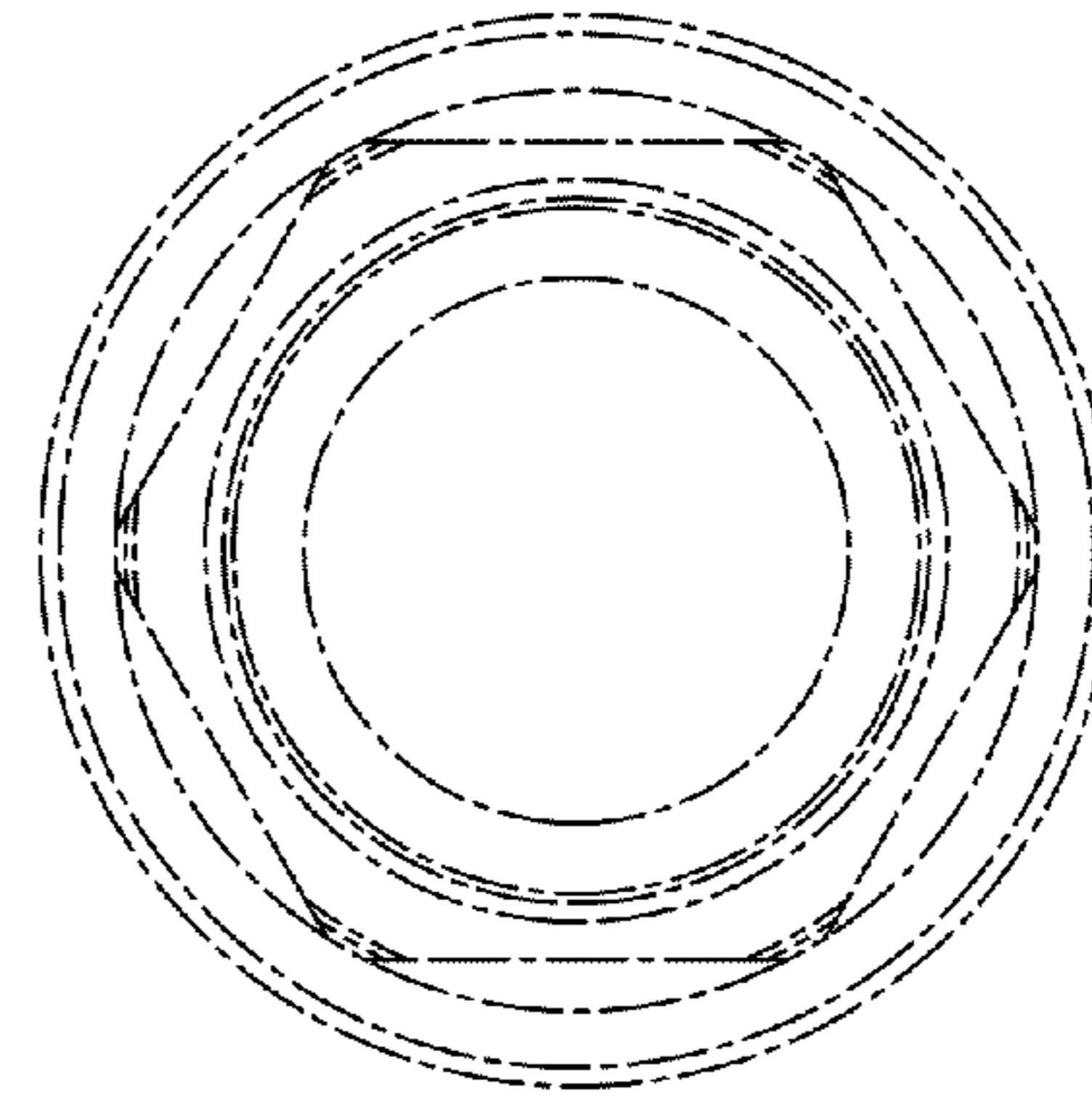


FIG. 5