



US00D711327S

(12) **United States Design Patent**  
**Mueller et al.**

(10) **Patent No.:** **US D711,327 S**

(45) **Date of Patent:** **\*\* Aug. 19, 2014**

(54) **CABLE BASKET**

(71) Applicant: **Steelcase Werndl AG**, Rosenheim (DE)

(72) Inventors: **Karl-Heinz Mueller**, Prutting (DE);  
**John Small**, London (GB)

(73) Assignee: **Steelcase Werndl AG**, Rosenheim (DE)

(\*\*) Term: **14 Years**

(21) Appl. No.: **29/453,506**

(22) Filed: **Apr. 30, 2013**

(30) **Foreign Application Priority Data**

Oct. 31, 2012 (EP) ..... 001351142-0001

(51) **LOC (10) Cl.** ..... **13-03**

(52) **U.S. Cl.**  
USPC ..... **D13/155**

(58) **Field of Classification Search**  
USPC ..... D13/155, 133, 147, 153, 154, 156, 184,  
D13/199; D3/304, 305, 306; D6/566, 571,  
D6/572, 574; D8/349, 354, 356; 174/50,  
174/68.1, 68.2, 72 A, 72 C, 95, 99 R;  
248/68.1, 69, 70, 73

See application file for complete search history.

(56) **References Cited**

**U.S. PATENT DOCUMENTS**

D305,189 S 12/1989 Scherrer  
D305,272 S 12/1989 Remmers  
5,008,491 A 4/1991 Bowman  
D317,220 S 5/1991 Diamond  
D322,378 S 12/1991 Colman

5,640,912 A 6/1997 Diffrient  
D380,736 S \* 7/1997 Theis et al. .... D13/155  
5,673,632 A 10/1997 Sykes  
D404,364 S \* 1/1999 Viklund et al. .... D13/155  
6,435,106 B2 8/2002 Funk et al.  
D498,632 S 11/2004 Anderson et al.  
D507,108 S 7/2005 Suero, Jr.  
D594,825 S \* 6/2009 Sweeney et al. .... D13/155  
D597,493 S \* 8/2009 Wu ..... D13/155  
7,714,237 B2 \* 5/2010 Fabrizi et al. .... 174/563  
D617,591 S 6/2010 Snider  
D619,362 S 7/2010 Hertaus

\* cited by examiner

*Primary Examiner* — Derrick Holland

(74) *Attorney, Agent, or Firm* — Price Heneveld LLP

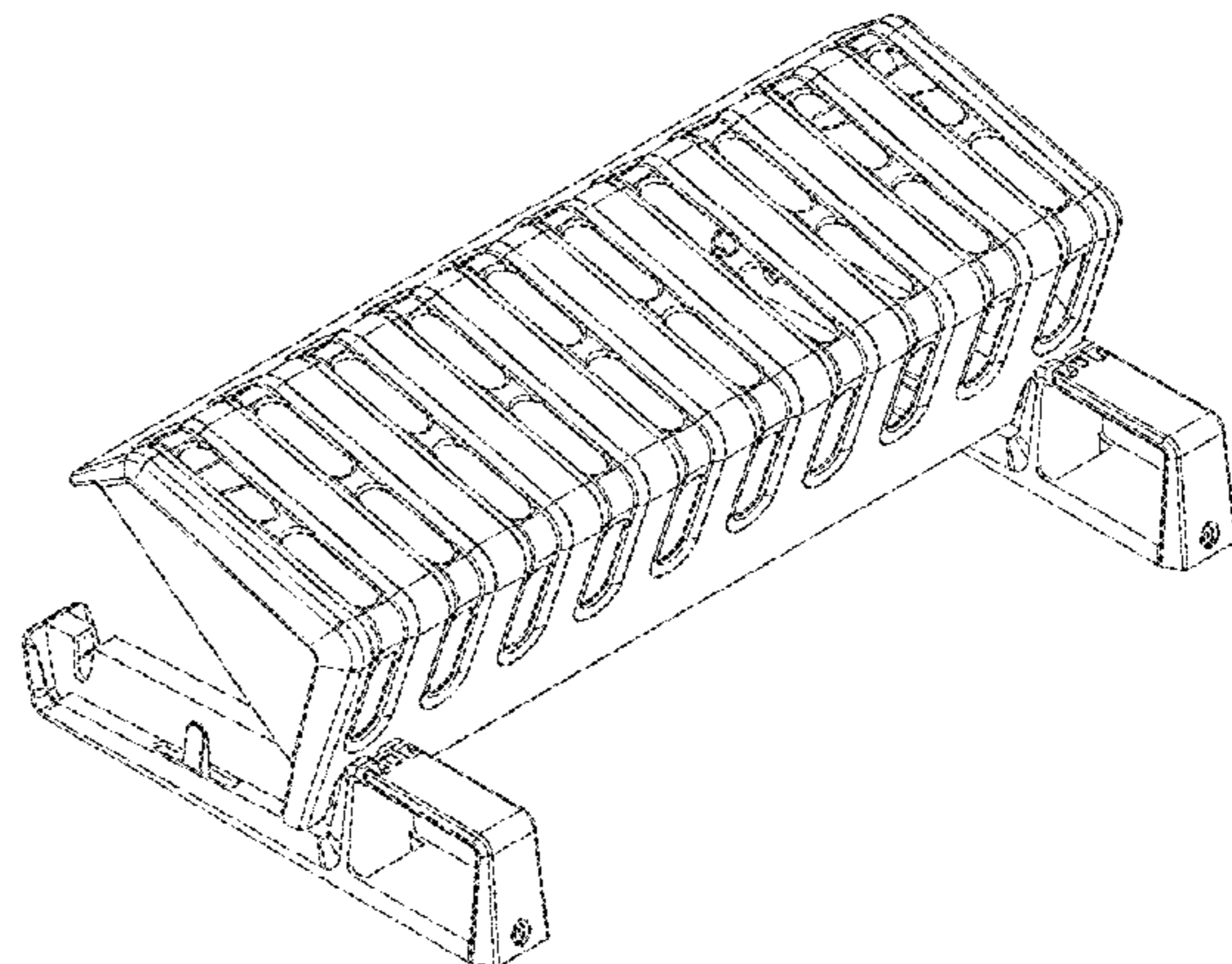
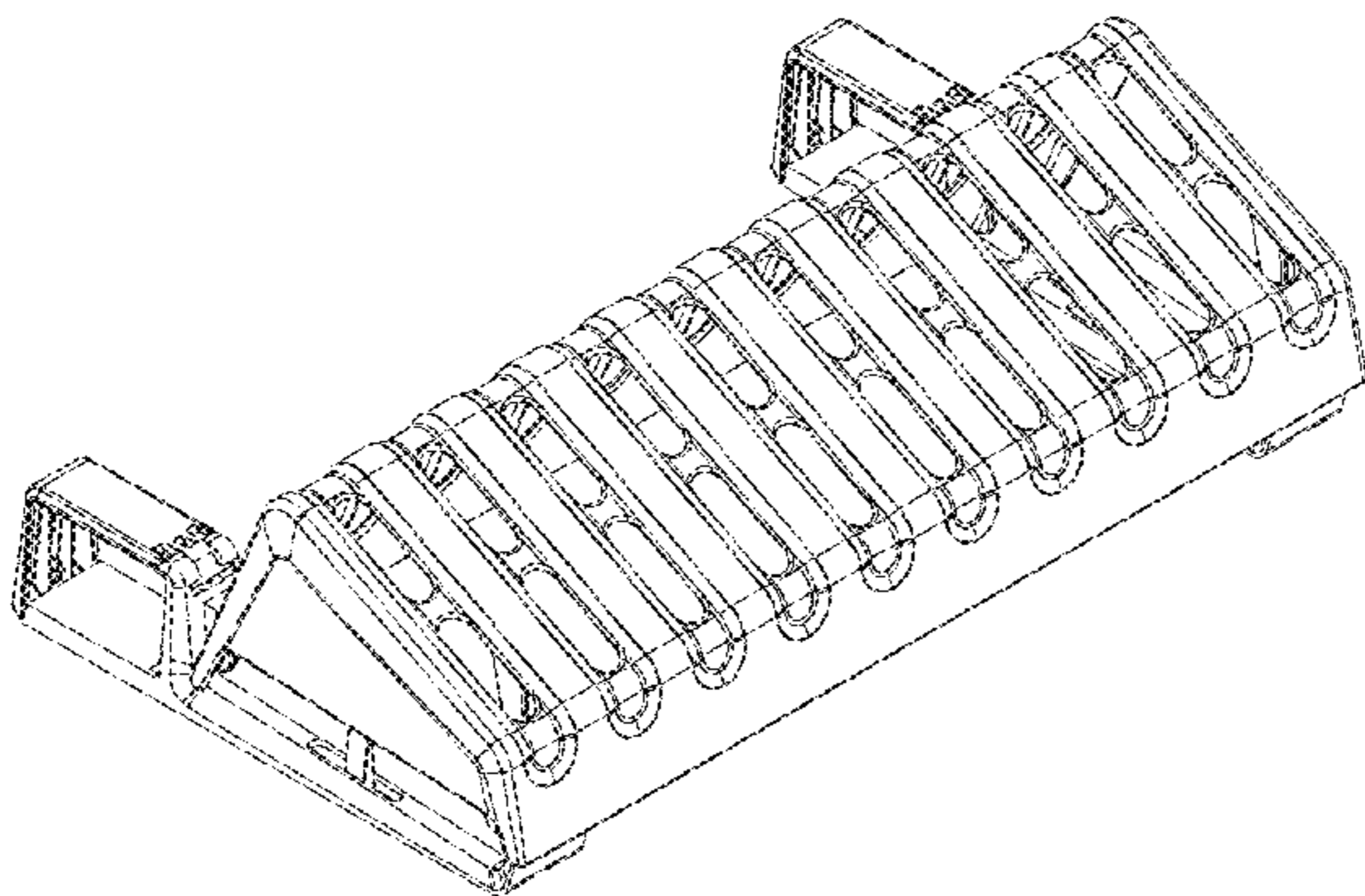
(57) **CLAIM**

The ornamental design for a cable basket, as shown and described.

**DESCRIPTION**

FIG. 1 is a top perspective view of a cable basket according to our new design;  
FIG. 2 is a front view thereof;  
FIG. 3 is a rear view thereof;  
FIG. 4 is a top plan view thereof;  
FIG. 5 is a bottom plan view thereof;  
FIG. 6 is a right side view thereof;  
FIG. 7 is a left side view thereof;  
FIG. 8 is a bottom perspective view thereof;  
FIG. 9 is another bottom perspective view in which the cable basket is opened along a first side thereof; and,  
FIG. 10 is still another bottom perspective view in which the cable basket is opened along a second side thereof.

**1 Claim, 4 Drawing Sheets**



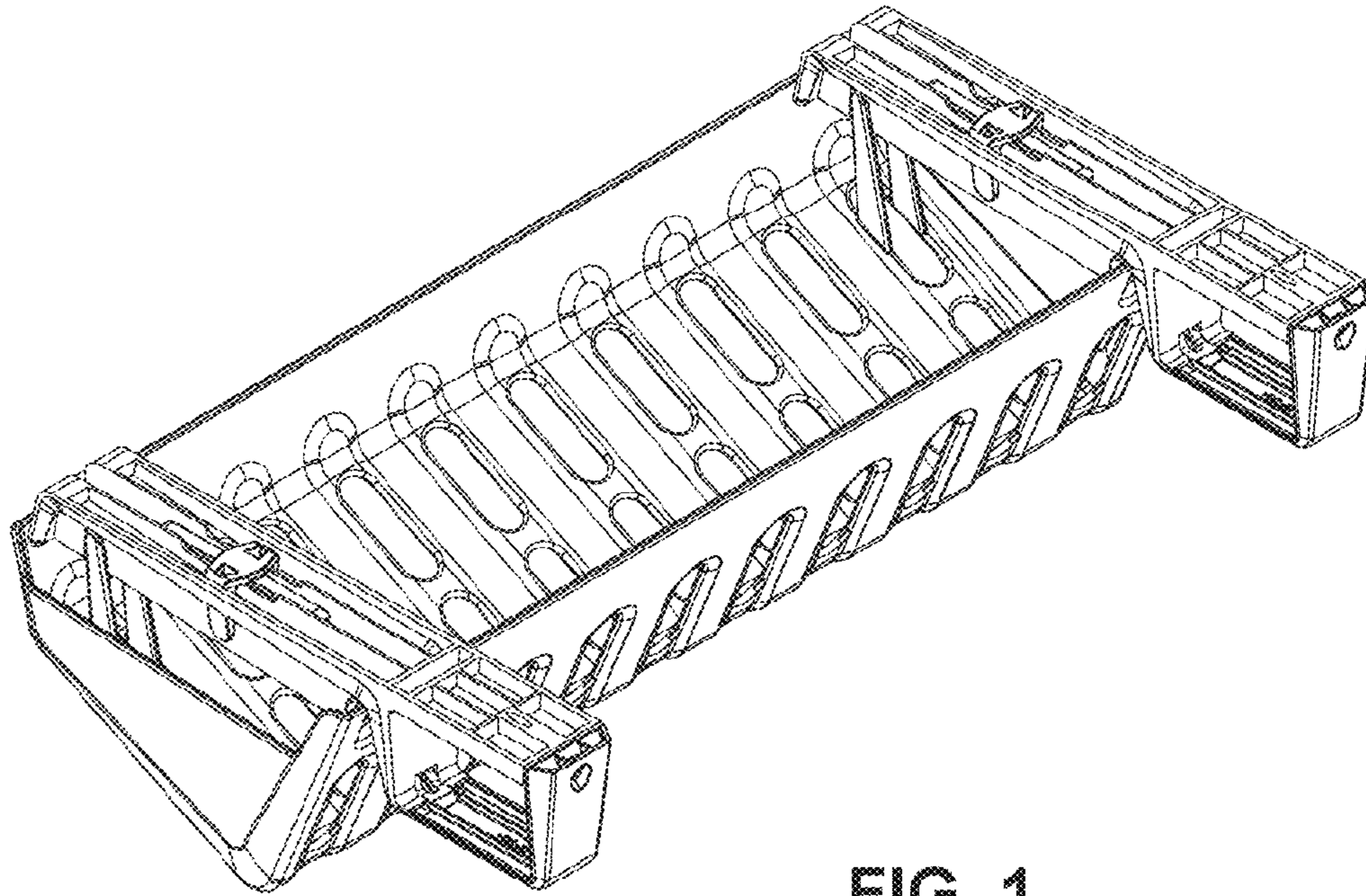


FIG. 1

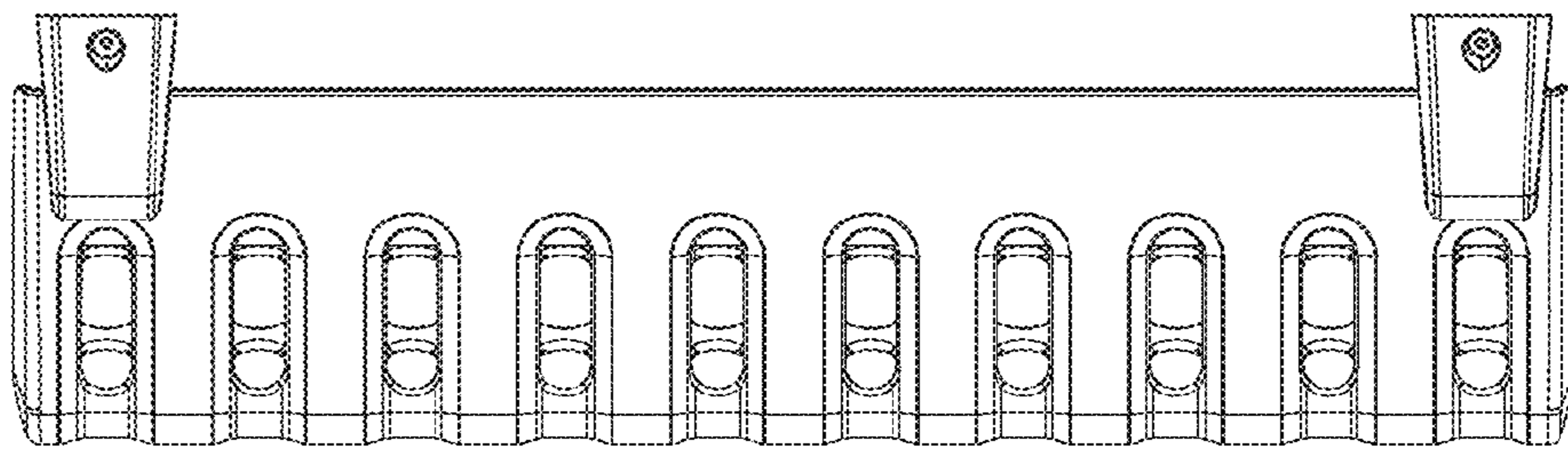


FIG. 2

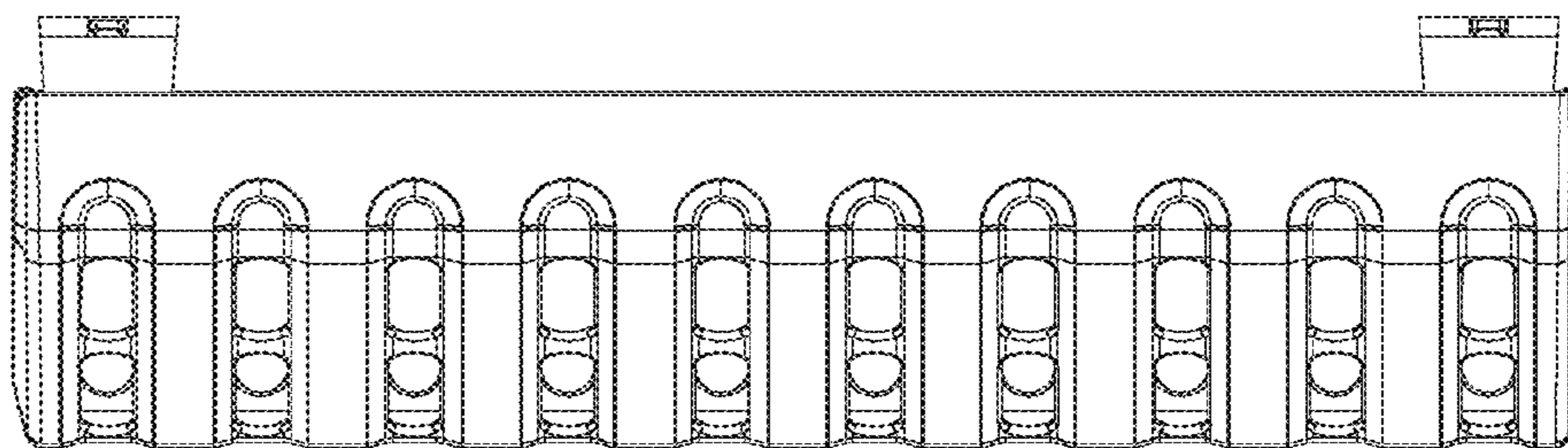


FIG. 3



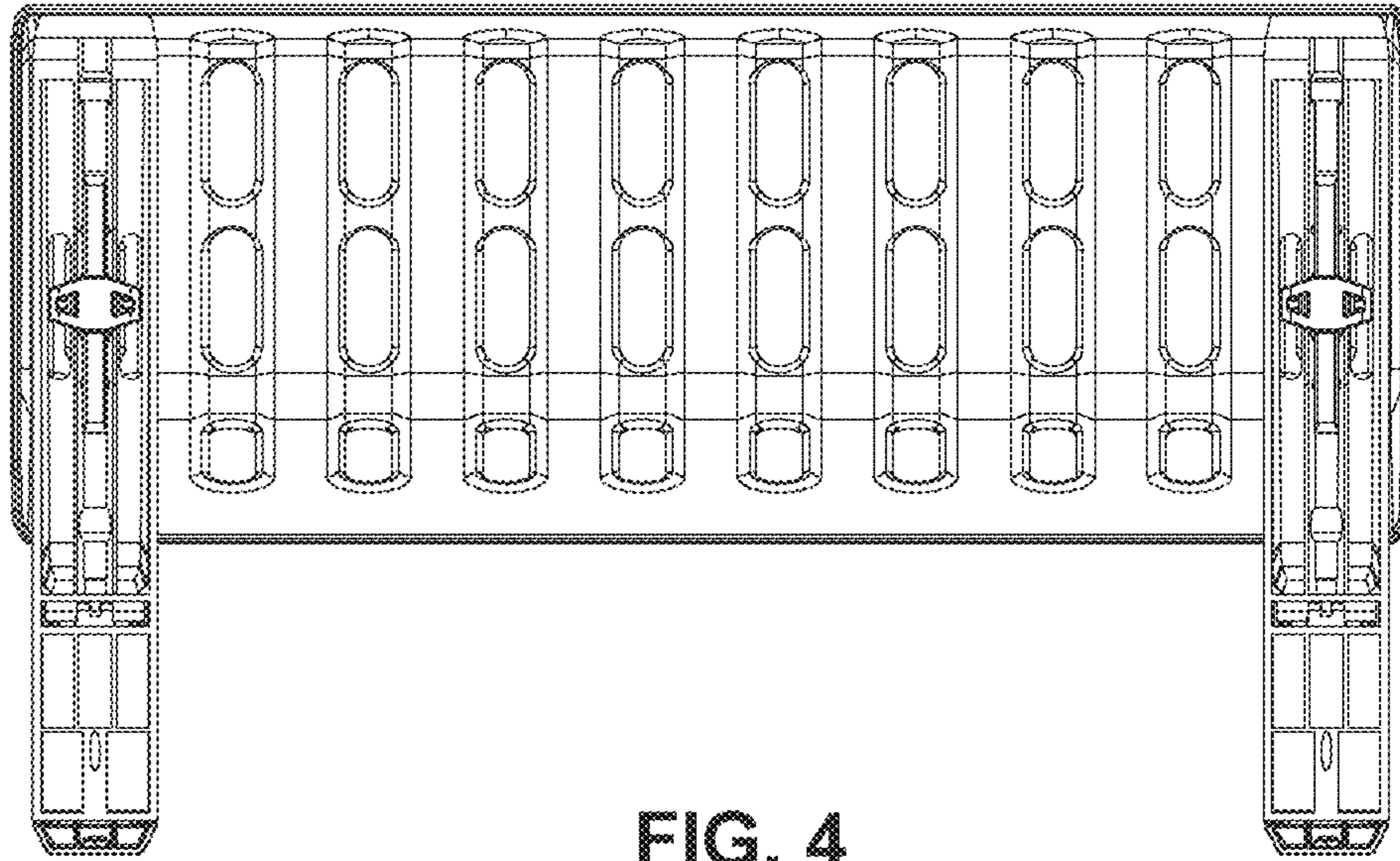


FIG. 4

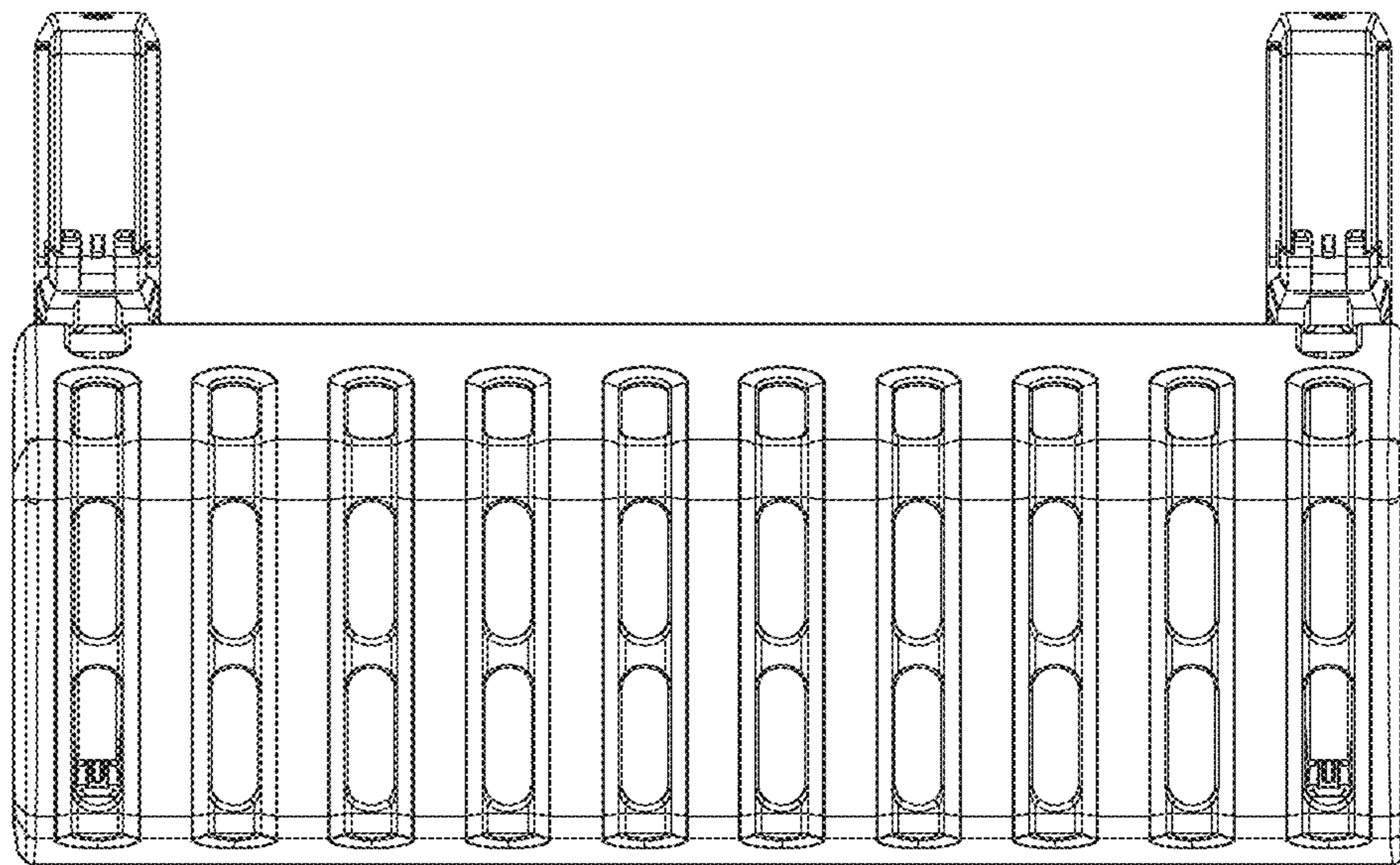


FIG. 5

FIG. 6

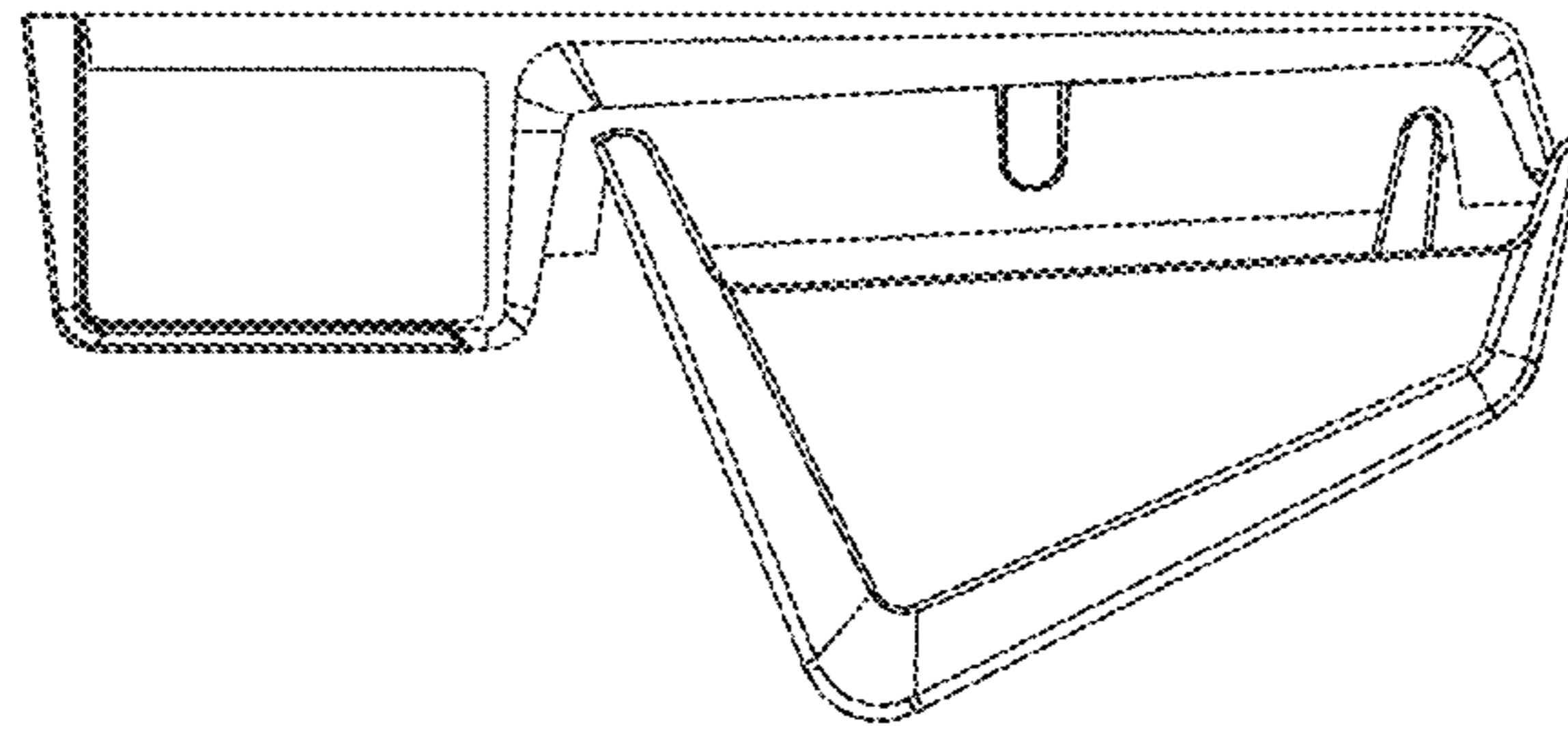


FIG. 7

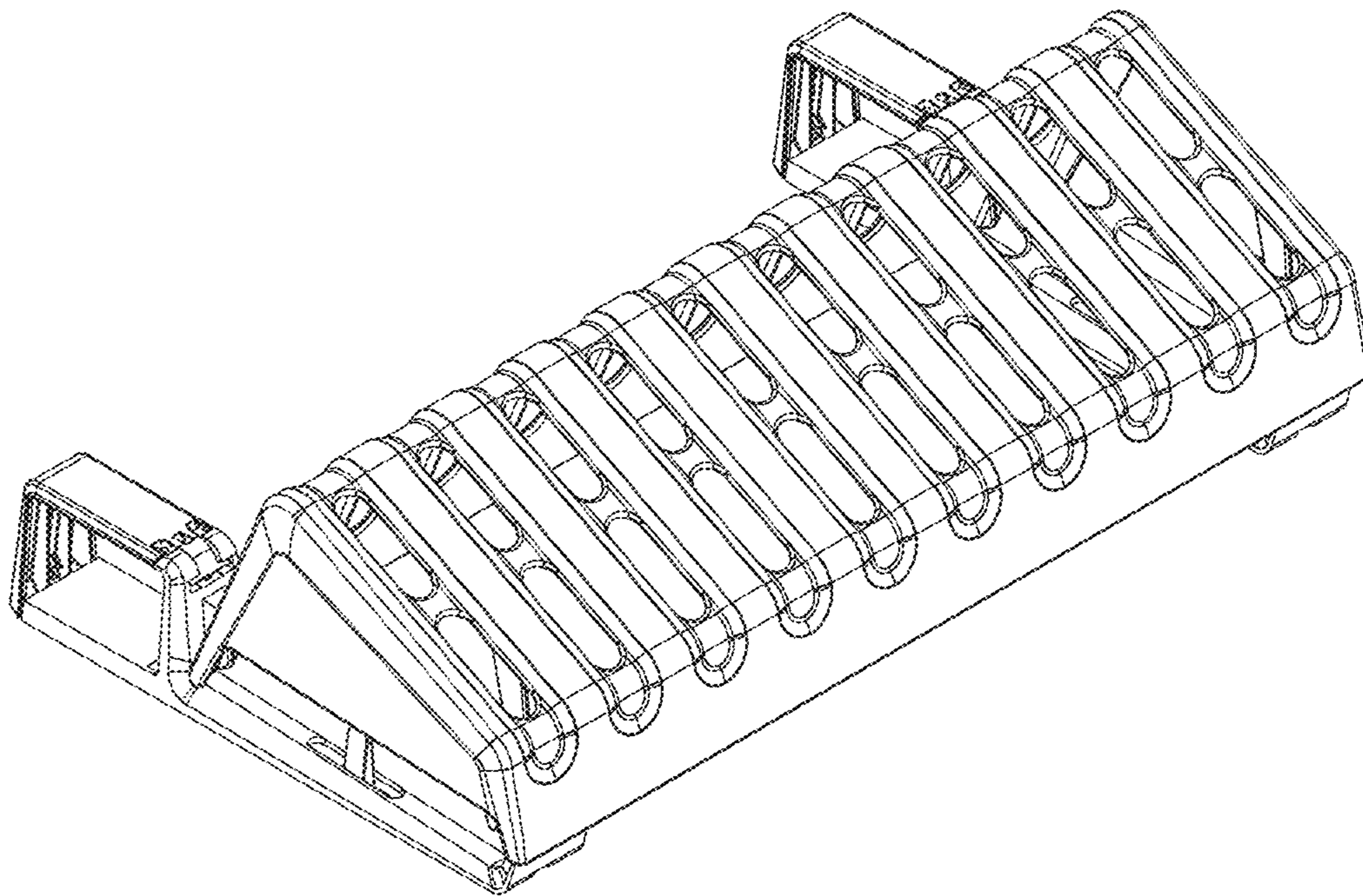
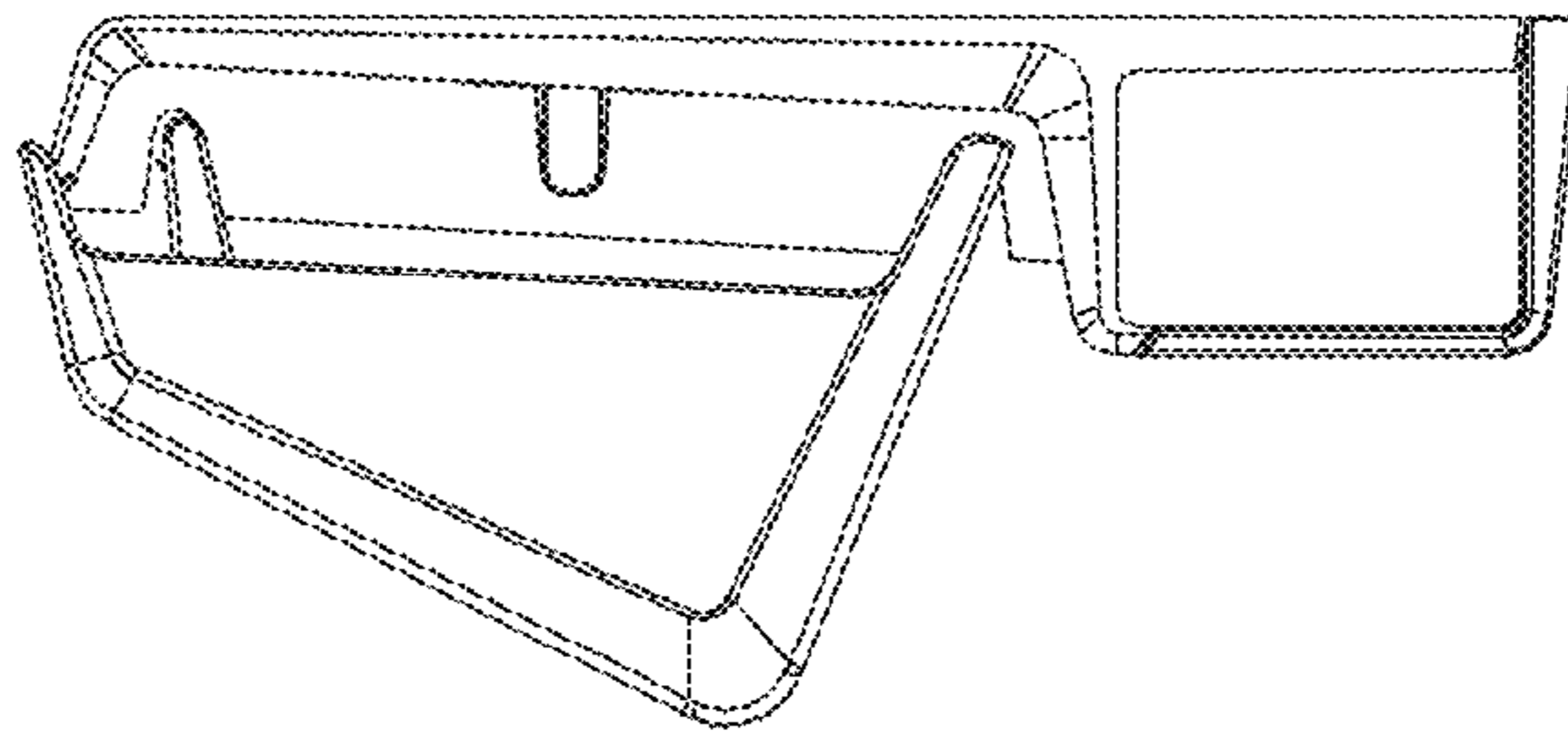


FIG. 8



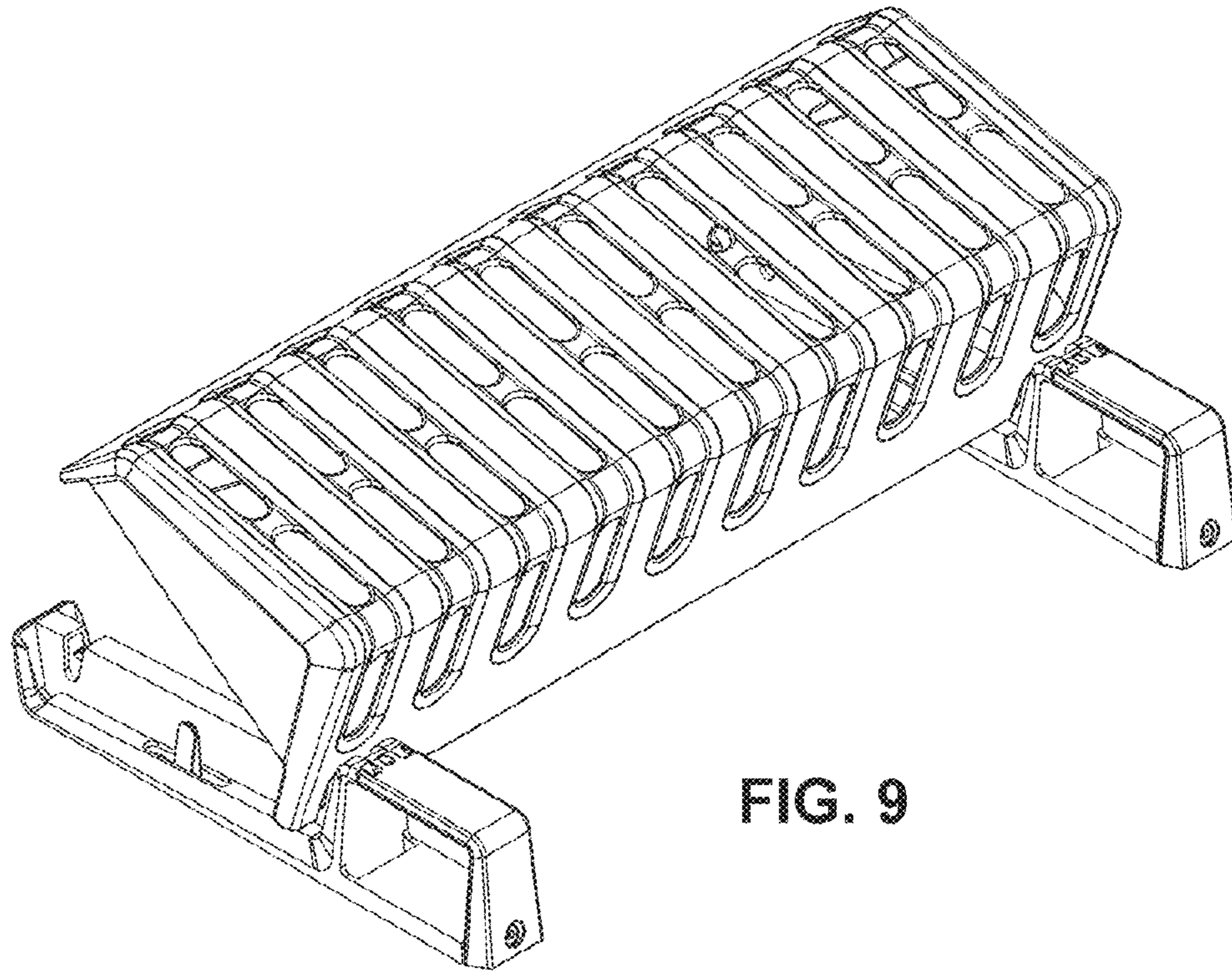


FIG. 9

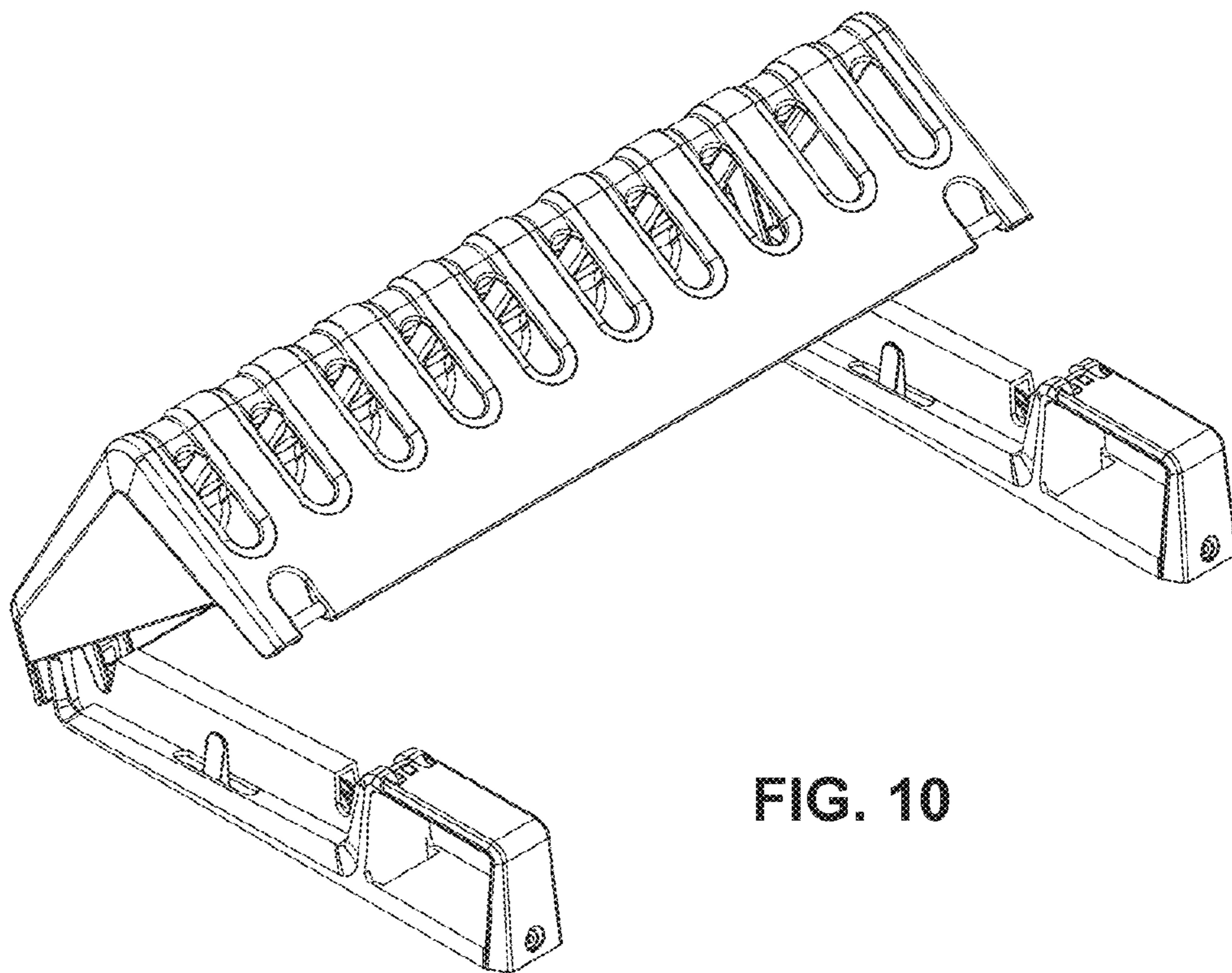


FIG. 10