



US00D711324S

(12) **United States Design Patent**  
**Pritchett et al.**

(10) **Patent No.:** **US D711,324 S**

(45) **Date of Patent:** **\*\* Aug. 19, 2014**

(54) **REMOVABLE ACCESS BOX**

(71) Applicants: **Rusty Pritchett**, Goreville, IL (US);  
**Dennis C. Glasson, Jr.**, Pocahontas, IL (US)

(72) Inventors: **Rusty Pritchett**, Goreville, IL (US);  
**Dennis C. Glasson, Jr.**, Pocahontas, IL (US)

(\*\*) Term: **14 Years**

(21) Appl. No.: **29/459,847**

(22) Filed: **Jul. 3, 2013**

(51) **LOC (10) Cl.** ..... **13-03**

(52) **U.S. Cl.**  
USPC ..... **D13/152**

(58) **Field of Classification Search**  
USPC ..... D13/152, 164, 184, 137.1, 139.1, 153,  
D13/137.2, 133, 137.4, 139.7, 130, 128,  
D13/132, 138.2, 139.3, 139.4, 139.8, 139.6,  
D13/123, 160, 107, 156, 137.3, 138.1,  
D13/139.2, 139.5, 162, 178, 199;  
248/231.91, 343; 361/118, 119;  
D25/138; 174/491

See application file for complete search history.

(56) **References Cited**

**U.S. PATENT DOCUMENTS**

4,916,862 A 4/1990 Storer  
D328,453 S \* 8/1992 Naumann ..... D13/152  
D348,469 S \* 7/1994 Johnson et al. .... D14/240

5,842,313 A 12/1998 Murray  
6,112,483 A 9/2000 Murray  
D441,719 S \* 5/2001 Lew ..... D13/152  
D449,279 S \* 10/2001 Takach et al. .... D13/152  
D460,422 S \* 7/2002 Nakamura ..... D13/156  
6,735,321 B2 \* 5/2004 Mazejka et al. .... 381/395  
7,501,576 B2 3/2009 Gagliardi  
7,795,533 B2 9/2010 Bravo  
D635,098 S \* 3/2011 Ismert ..... D13/152  
D637,162 S \* 5/2011 Bridgman ..... D13/152  
7,956,284 B2 6/2011 Bravo  
8,083,300 B2 12/2011 MaCall  
8,314,336 B2 11/2012 Liang  
2009/0224128 A1 9/2009 Matley

\* cited by examiner

*Primary Examiner* — Ian Simmons

*Assistant Examiner* — Rhea Shields

(74) *Attorney, Agent, or Firm* — Charles McCloskey

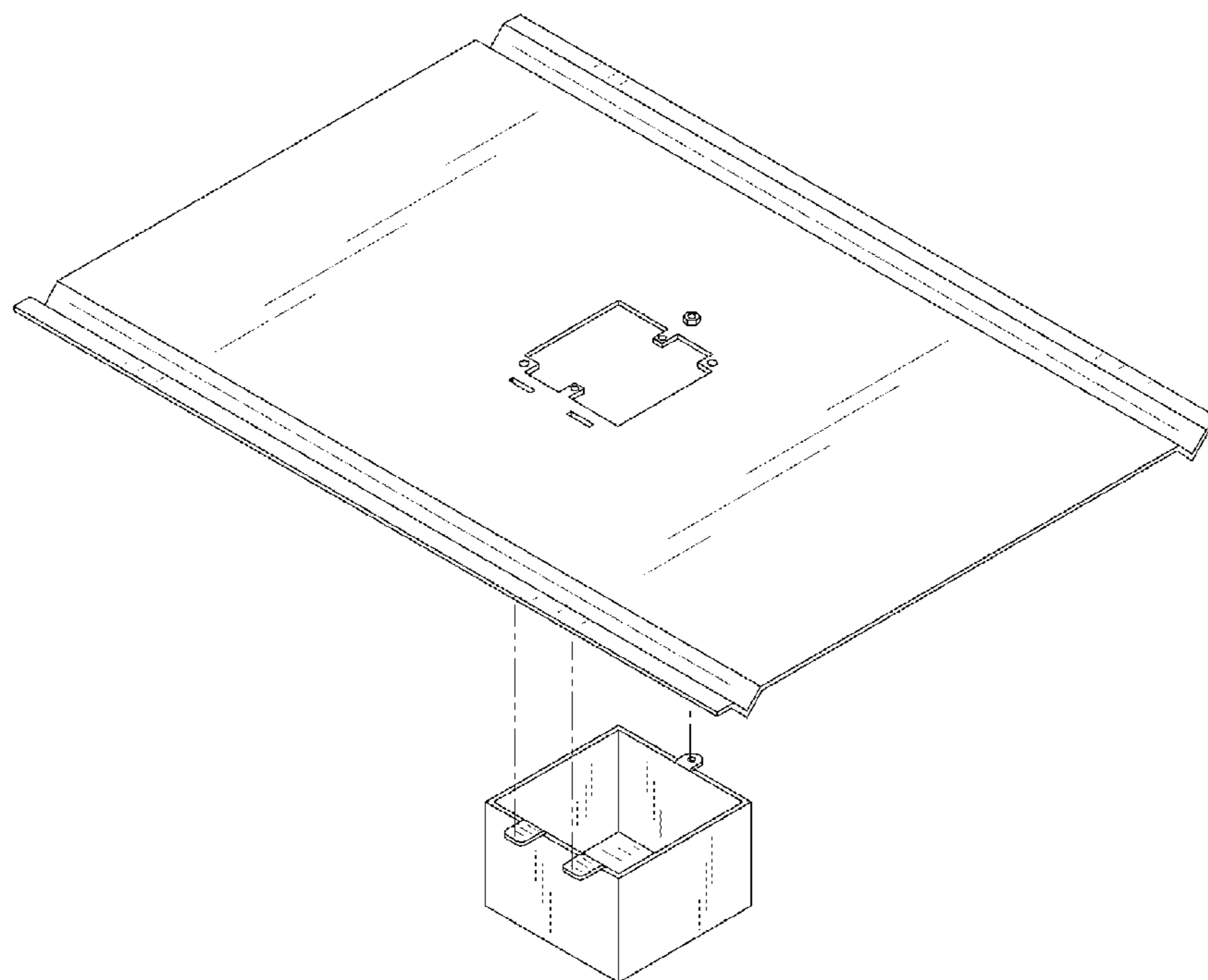
(57) **CLAIM**

The ornamental design for a removable access box, as shown and described.

**DESCRIPTION**

FIG. 1 is a bottom view;  
FIG. 2 is a top view;  
FIG. 3 is a front view;  
FIG. 4 is a back view;  
FIG. 5 is a side view;  
FIG. 6 is a side view;  
FIG. 7 is a perspective view; and,  
FIG. 8 is an exploded perspective view.

**1 Claim, 3 Drawing Sheets**



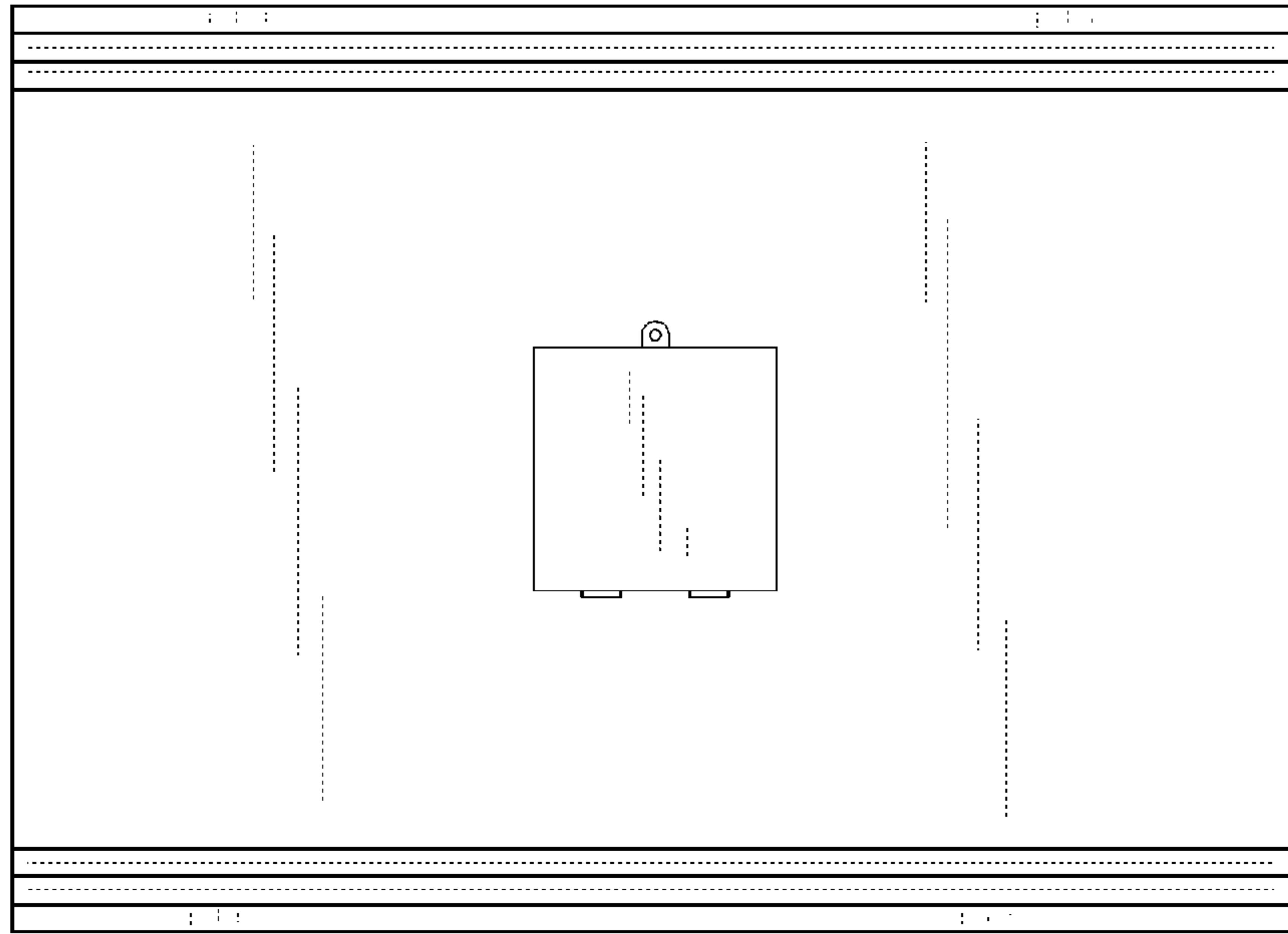


FIG. 1

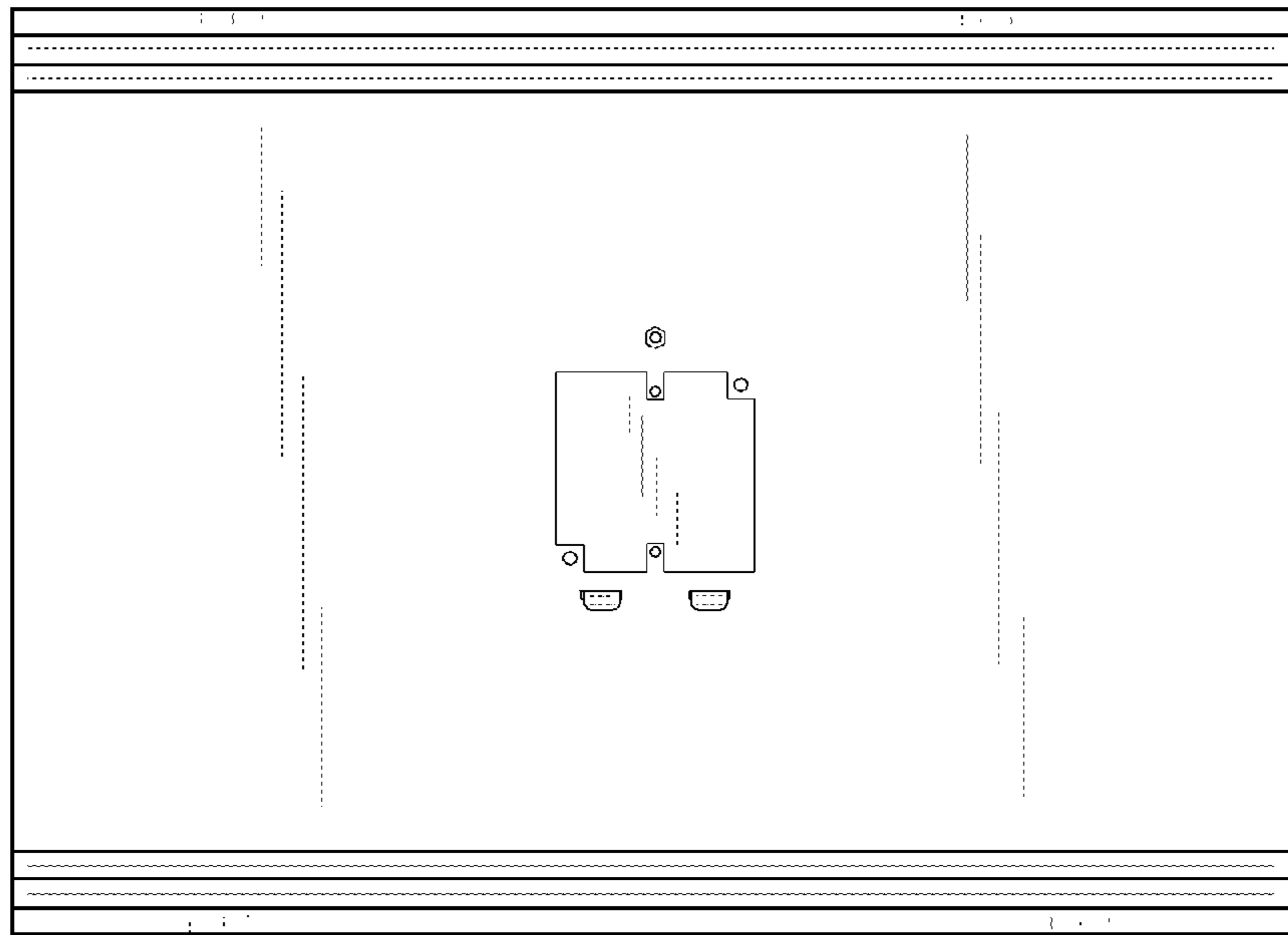


FIG. 2

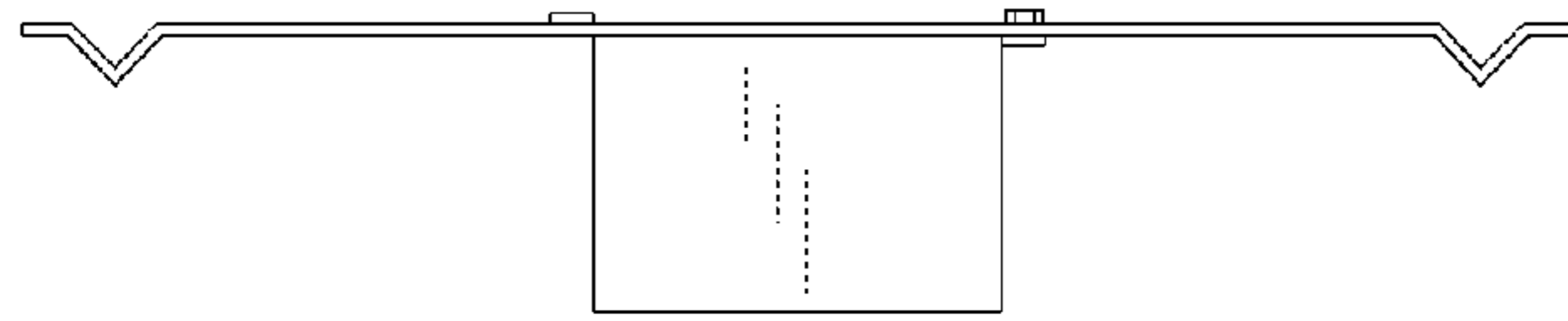


FIG. 3

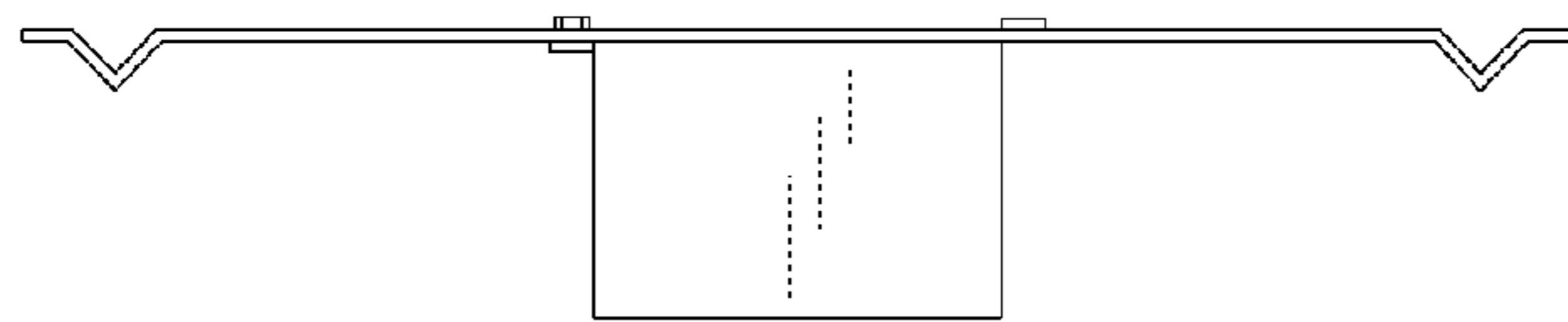


FIG. 4

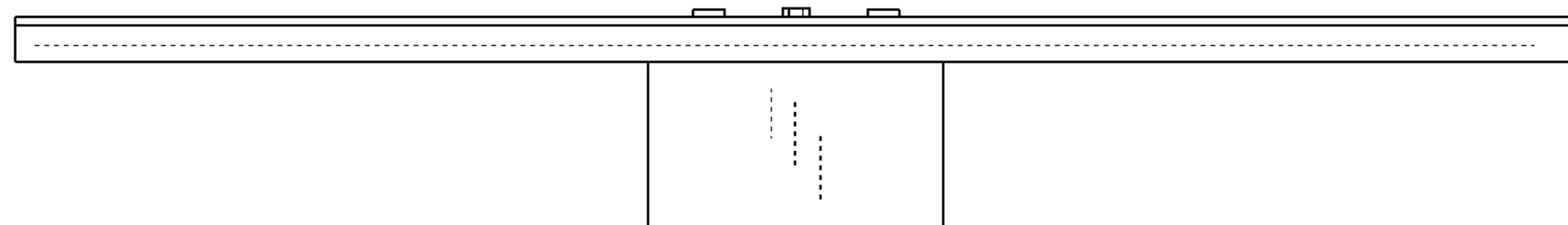


FIG. 5

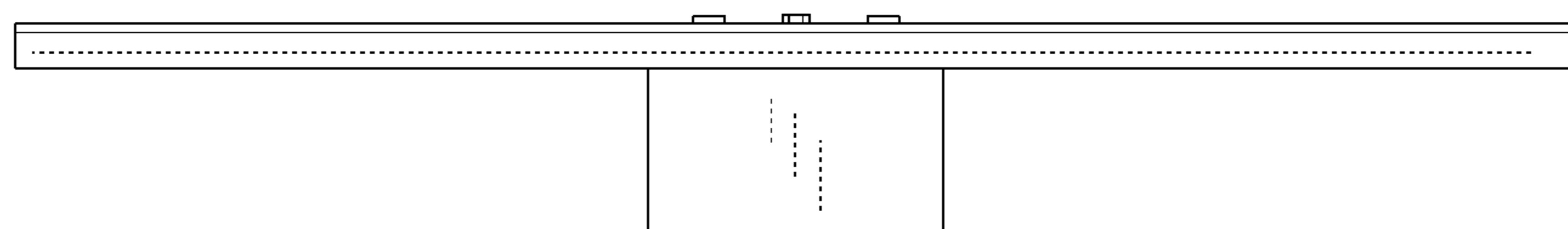


FIG. 6

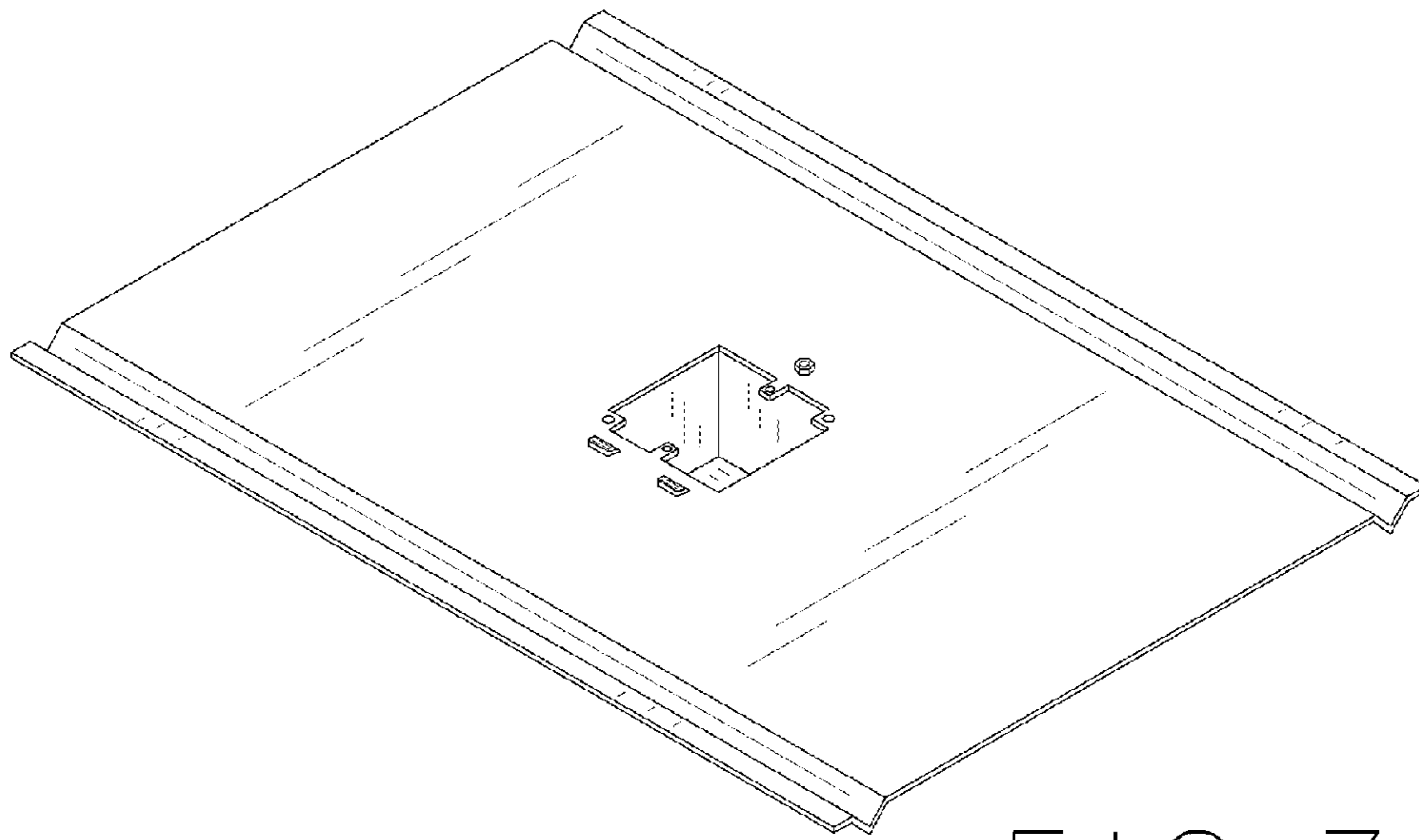


FIG. 7

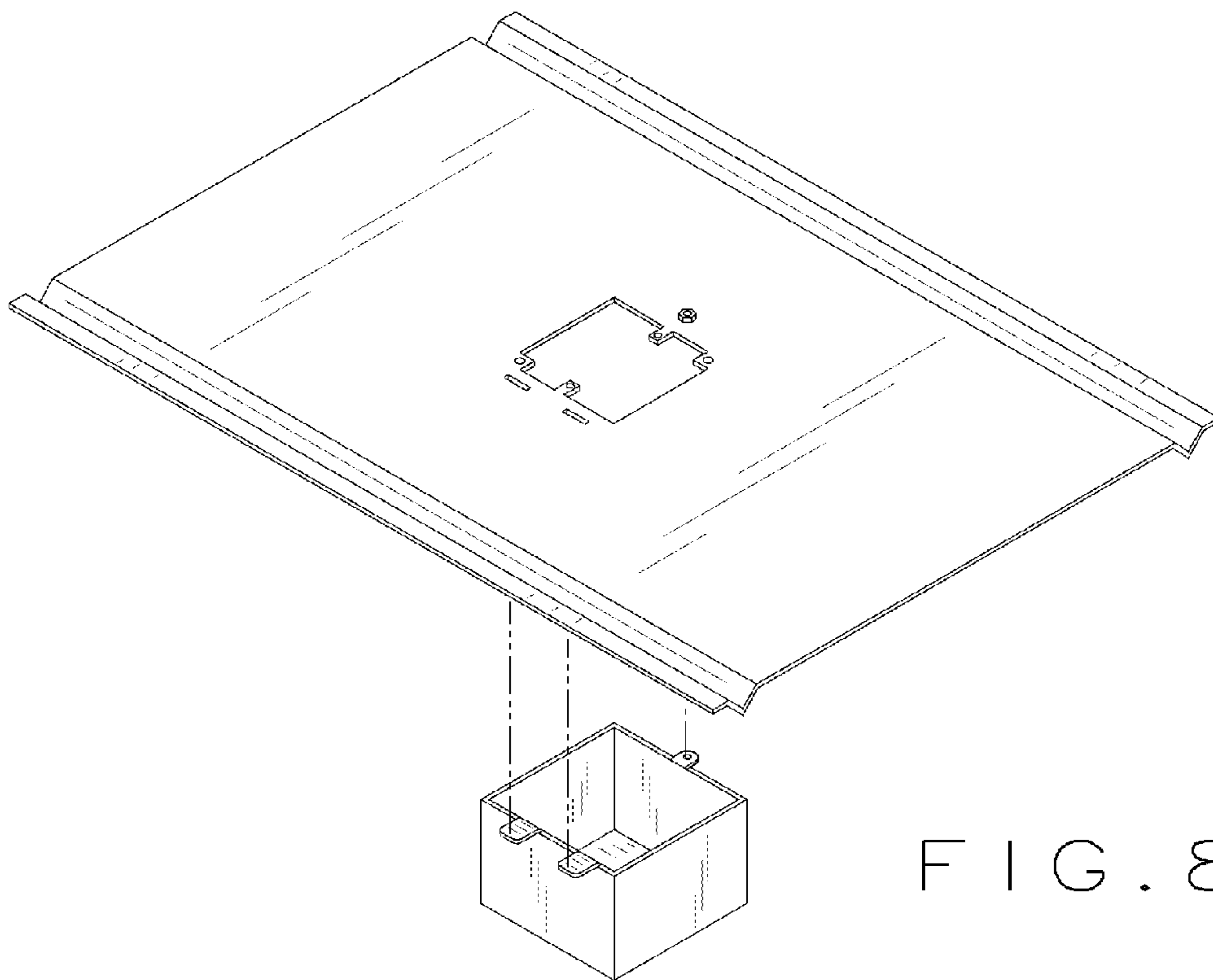


FIG. 8