

US00D711323S

(12) **United States Design Patent**
Wardenburg

(10) **Patent No.:** **US D711,323 S**

(45) **Date of Patent:** **** Aug. 19, 2014**

(54) **DUAL RECEPTACLE**

D515,505 S * 2/2006 Lin D13/139.6
D623,596 S * 9/2010 Lamoureux et al. D13/139.1

(75) Inventor: **Peter Wardenburg**, Petaluma, CA (US)

* cited by examiner

(73) Assignee: **Hydrofarm, Inc.**, Petaluma, CA (US)

Primary Examiner — Daniel Bui

(**) Term: **14 Years**

(74) *Attorney, Agent, or Firm* — Craig M.. Stainbrook;
Stainbrook & Stainbrook, LLP

(21) Appl. No.: **29/428,079**

(57) **CLAIM**

(22) Filed: **Jul. 25, 2012**

The ornamental design for a dual receptacle, as shown and described.

(51) **LOC (10) Cl.** **13-03**

(52) **U.S. Cl.**
USPC **D13/146**

DESCRIPTION

(58) **Field of Classification Search**
CPC H01R 13/44; H02M 1/00; H02M 7/02;
H02M 29/06; H05K 13/00
USPC D13/139.1, 146, 147, 154, 184, 199;
363/15, 34, 146
See application file for complete search history.

FIG. 1 is a top, right, and front perspective view of a dual receptacle in use condition, showing my new design;
FIG. 2 is a top, right, and front perspective view thereof;
FIG. 3 is a front elevation view thereof;
FIG. 4 is a right side elevation view thereof, the left side elevation is a mirror image of the right side;
FIG. 5 is a top plan view thereof; and,
FIG. 6 is a bottom plan view thereof.
The broken line in the drawing views is included for the purpose of illustrating environment and forms no part of the claimed design.

(56) **References Cited**

U.S. PATENT DOCUMENTS

6,184,466 B1 * 2/2001 Eder et al. 174/53
D511,748 S * 11/2005 Caine et al. D13/154

1 Claim, 2 Drawing Sheets

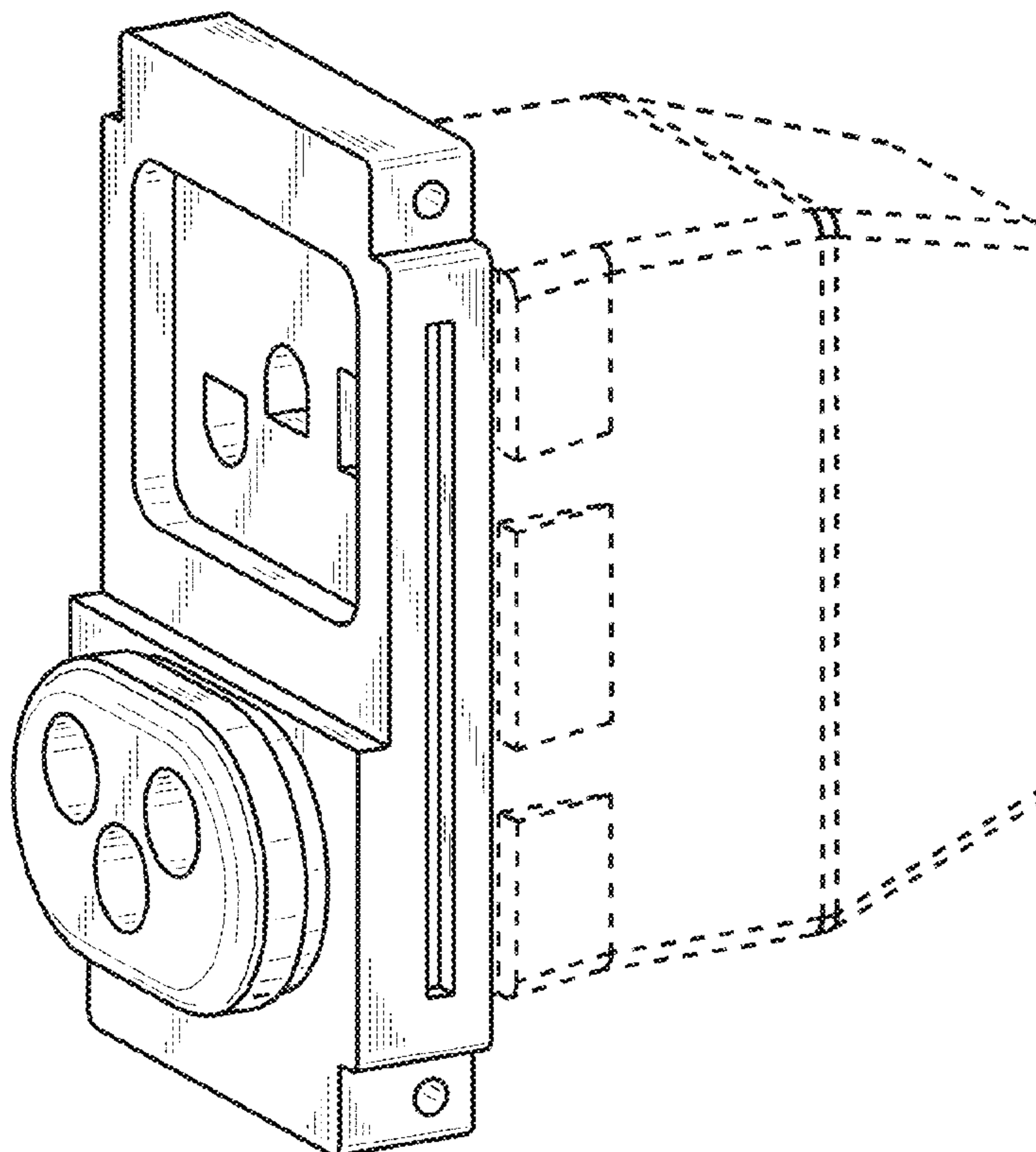


FIG. 1

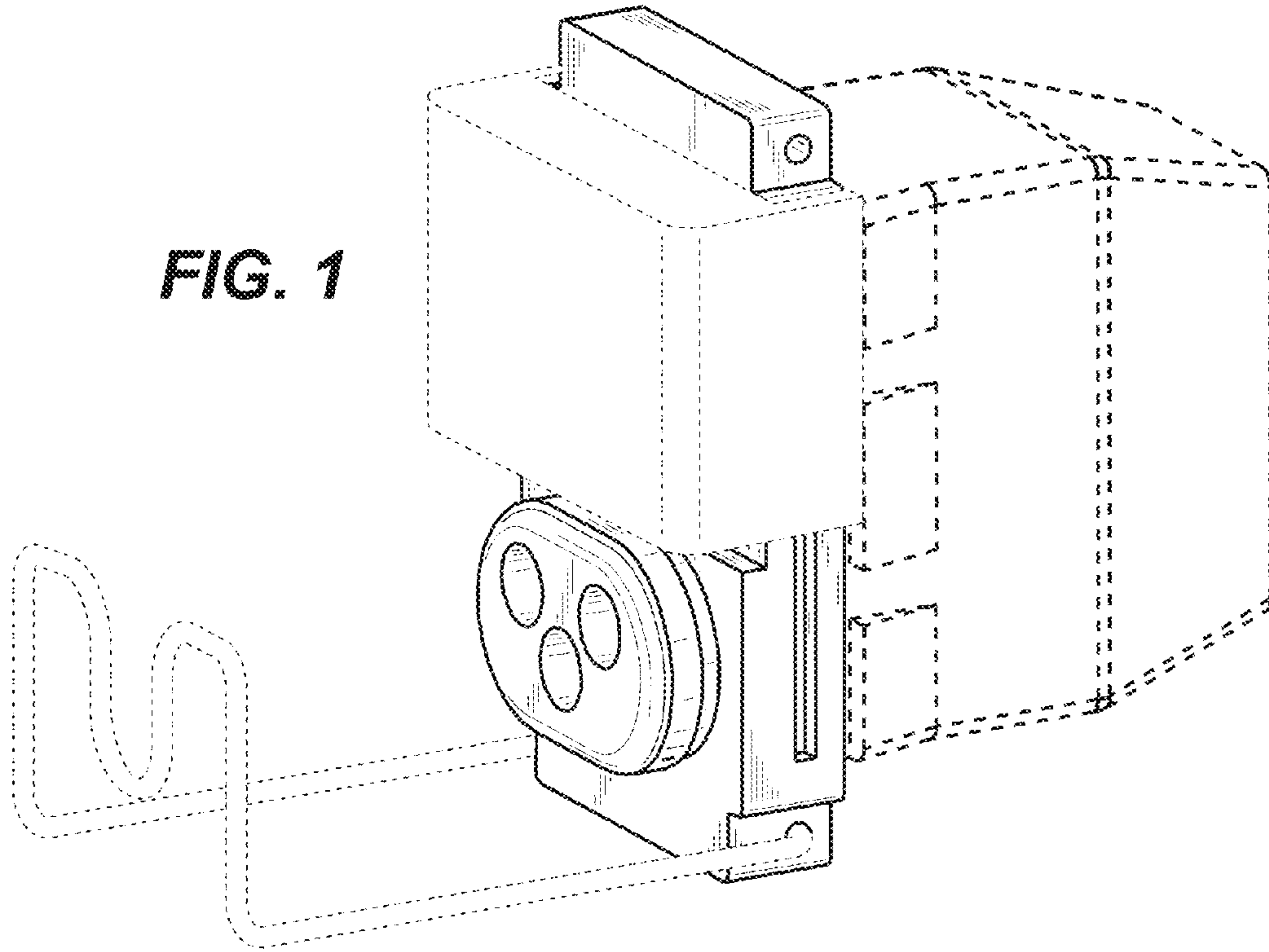
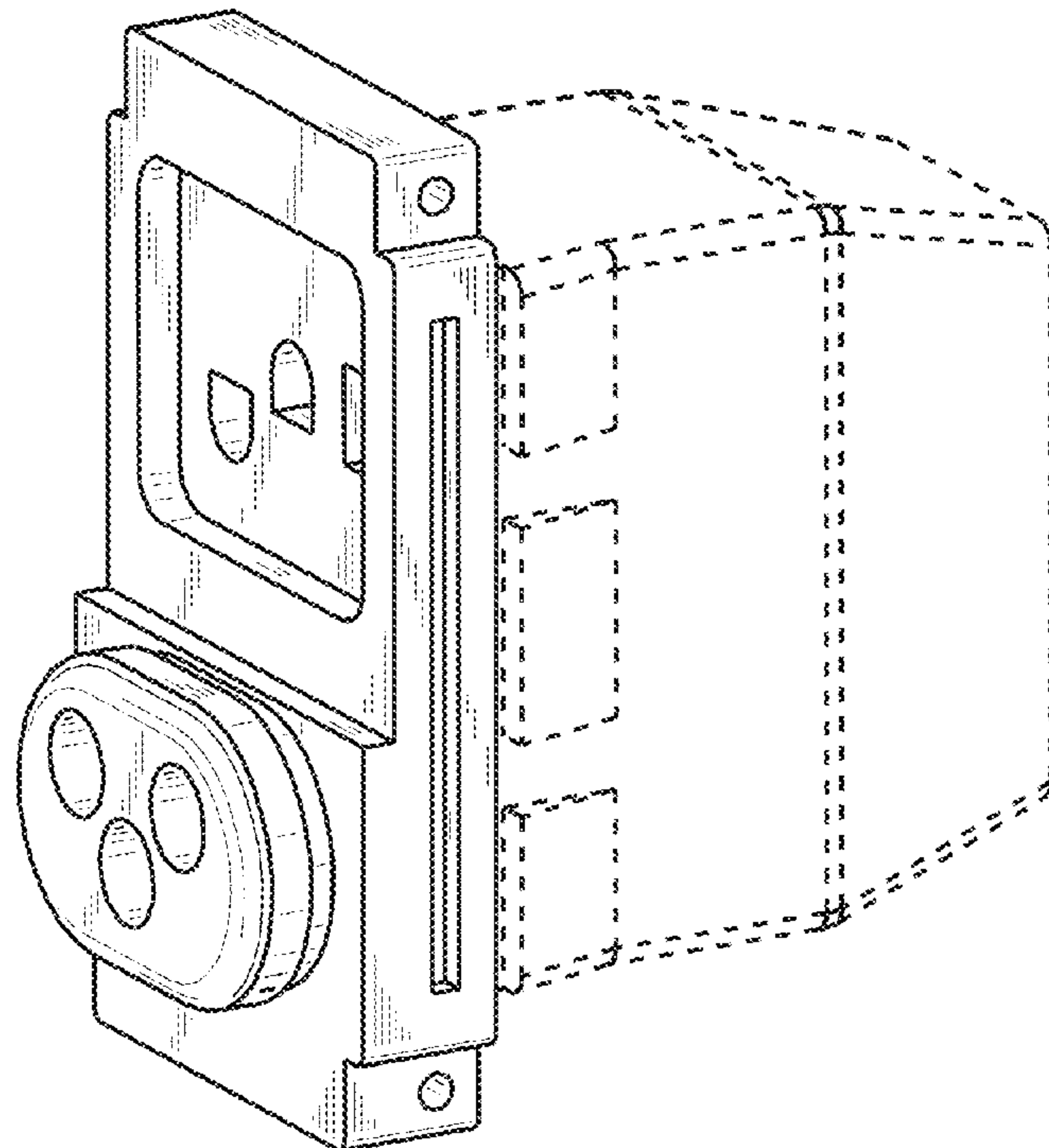


FIG. 2



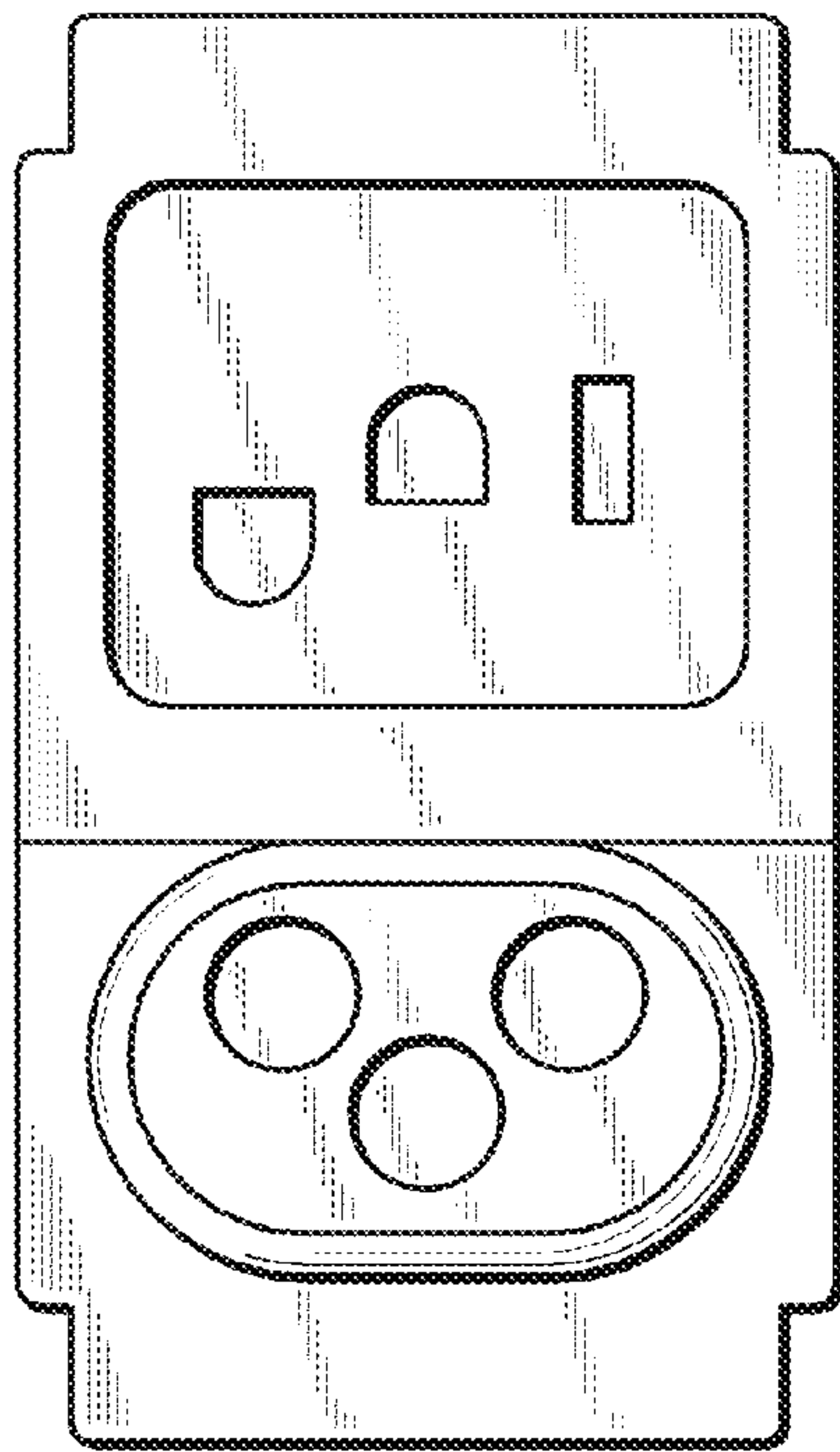


FIG. 3

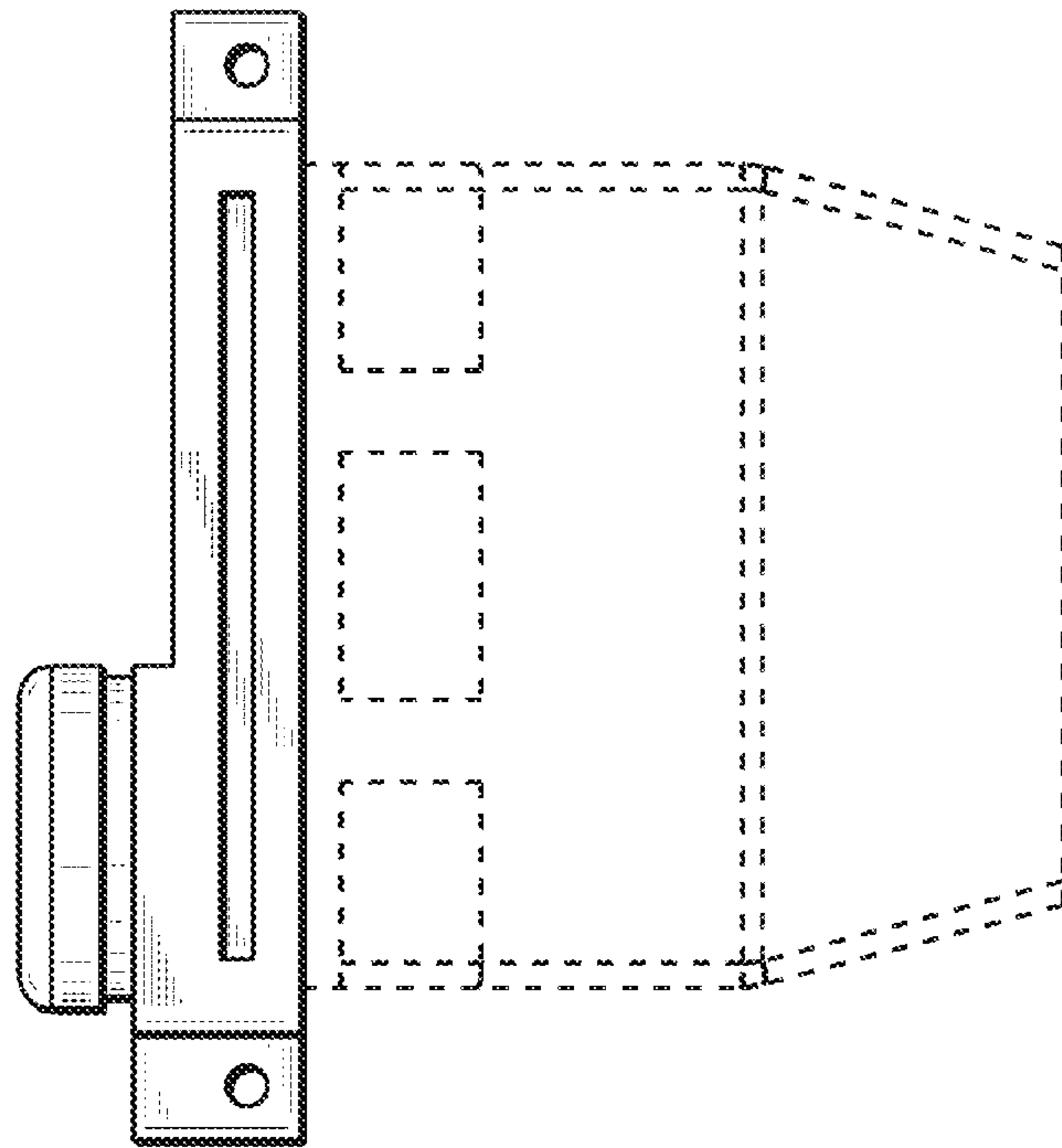


FIG. 4

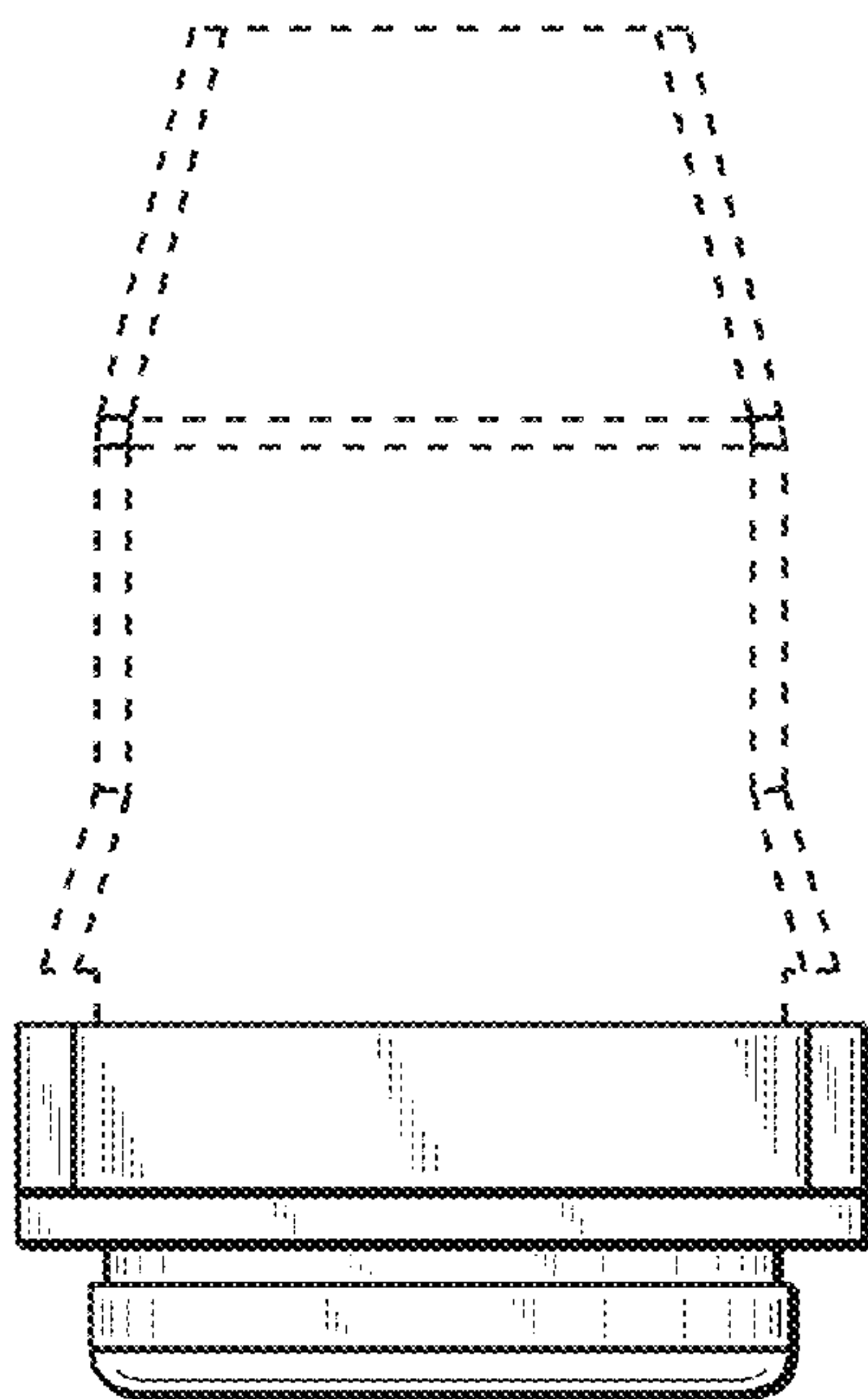


FIG. 5

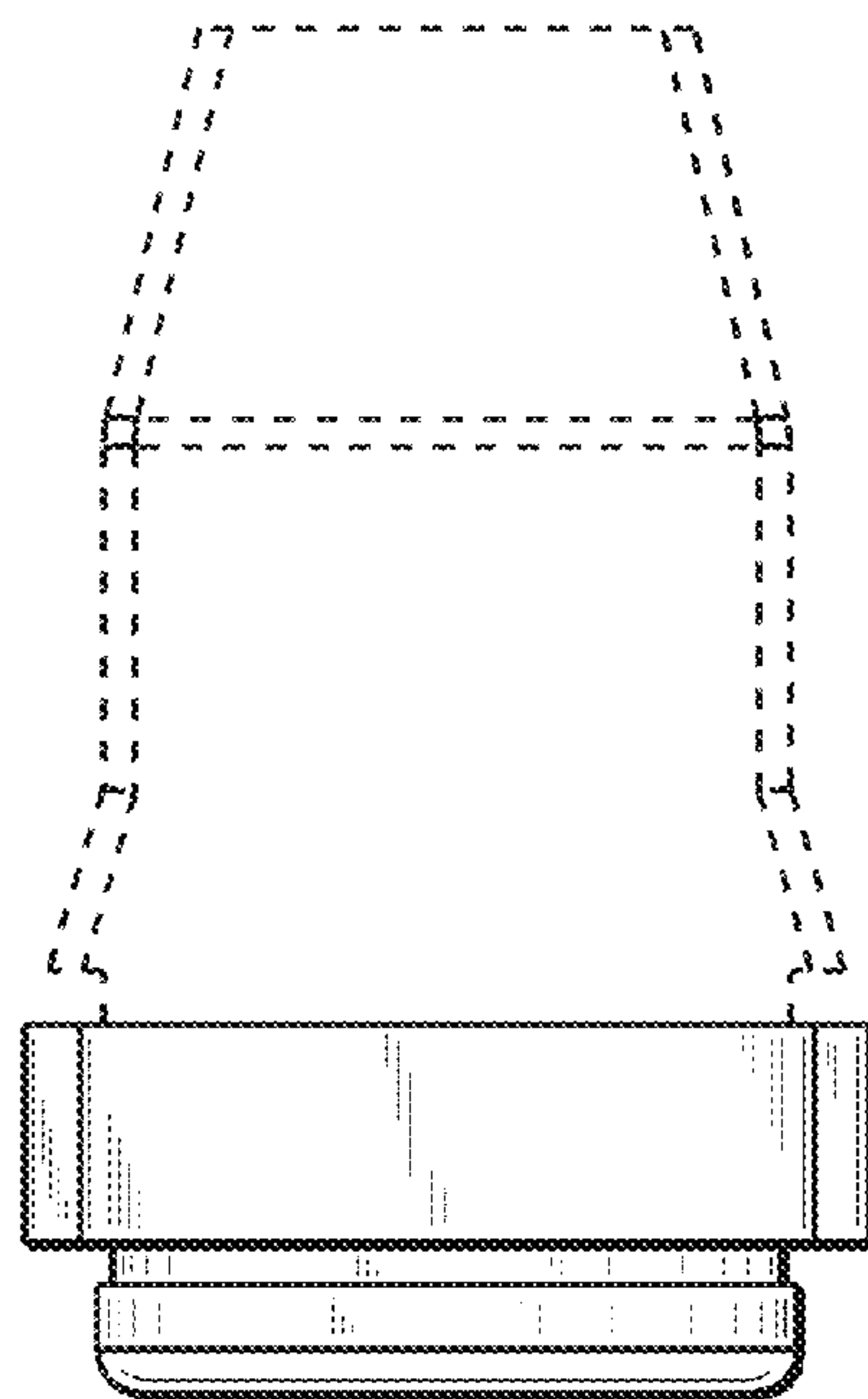


FIG. 6