



US00D711322S

(12) **United States Design Patent**  
**McSweyn et al.**

(10) **Patent No.:** **US D711,322 S**

(45) **Date of Patent:** **\*\* Aug. 19, 2014**

(54) **MAGNETIC MOUNTING SYSTEM WITH POWER SOCKET**

(71) Applicant: **Scosche Industries, Inc.**, Oxnard, CA (US)

(72) Inventors: **Christopher Michael McSweyn**, Oxnard, CA (US); **Vince Alves**, Oxnard, CA (US); **Mark Larson**, Camarillo, CA (US)

(73) Assignee: **Scosche Industries, Inc.**, Oxnard, CA (US)

(\*\*) Term: **14 Years**

(21) Appl. No.: **29/476,365**

(22) Filed: **Dec. 12, 2013**

(51) **LOC (10) Cl.** ..... **13-03**

(52) **U.S. Cl.**  
USPC ..... **D13/144**

(58) **Field of Classification Search**  
USPC ..... D13/144, 101, 107, 108, 110, 118, 119, D13/133, 183, 184, 199; D8/80, 81, 82, 83, D8/349, 354; D14/155, 432, 433; 320/109, 320/111, 114, 115; 363/146; 439/296, 300, 439/638, 668, 669, 674, 675, 825  
See application file for complete search history.

(56) **References Cited**

**U.S. PATENT DOCUMENTS**

3,329,277	A	7/1967	Gaudino	
3,642,122	A	2/1972	Von Ende	
5,213,240	A *	5/1993	Dietz et al.	224/183
D362,230	S *	9/1995	Yokozawa	D13/144
D362,657	S *	9/1995	Tomikawa et al.	D13/144
5,992,807	A	11/1999	Tarulli	

6,076,790	A	6/2000	Richter	
6,135,408	A	10/2000	Richter	
6,149,116	A	11/2000	Won	
6,305,656	B1	10/2001	Wemyss	
6,382,482	B1	5/2002	Chao	
6,502,727	B1	1/2003	Decoteau	
D479,196	S *	9/2003	Shih	D13/144
6,888,940	B1	5/2005	Deppen	
D551,058	S *	9/2007	Carnevali	D8/354
7,374,142	B2	5/2008	Carnevali	
7,431,251	B2	10/2008	Carnevali	
D600,991	S *	9/2009	Lai	D8/83
D609,644	S *	2/2010	Lin	D13/144
8,016,255	B2	9/2011	Lin	
D654,874	S *	2/2012	Au	D13/144
D656,465	S *	3/2012	Au	D13/144
D656,899	S *	4/2012	Webb et al.	D13/144
D671,074	S *	11/2012	Hori et al.	D13/144
2011/0192857	A1	8/2011	Rothbaum et al.	

\* cited by examiner

*Primary Examiner* — Derrick Holland

(74) *Attorney, Agent, or Firm* — Stetina Brunda Garred & Brucker

(57) **CLAIM**

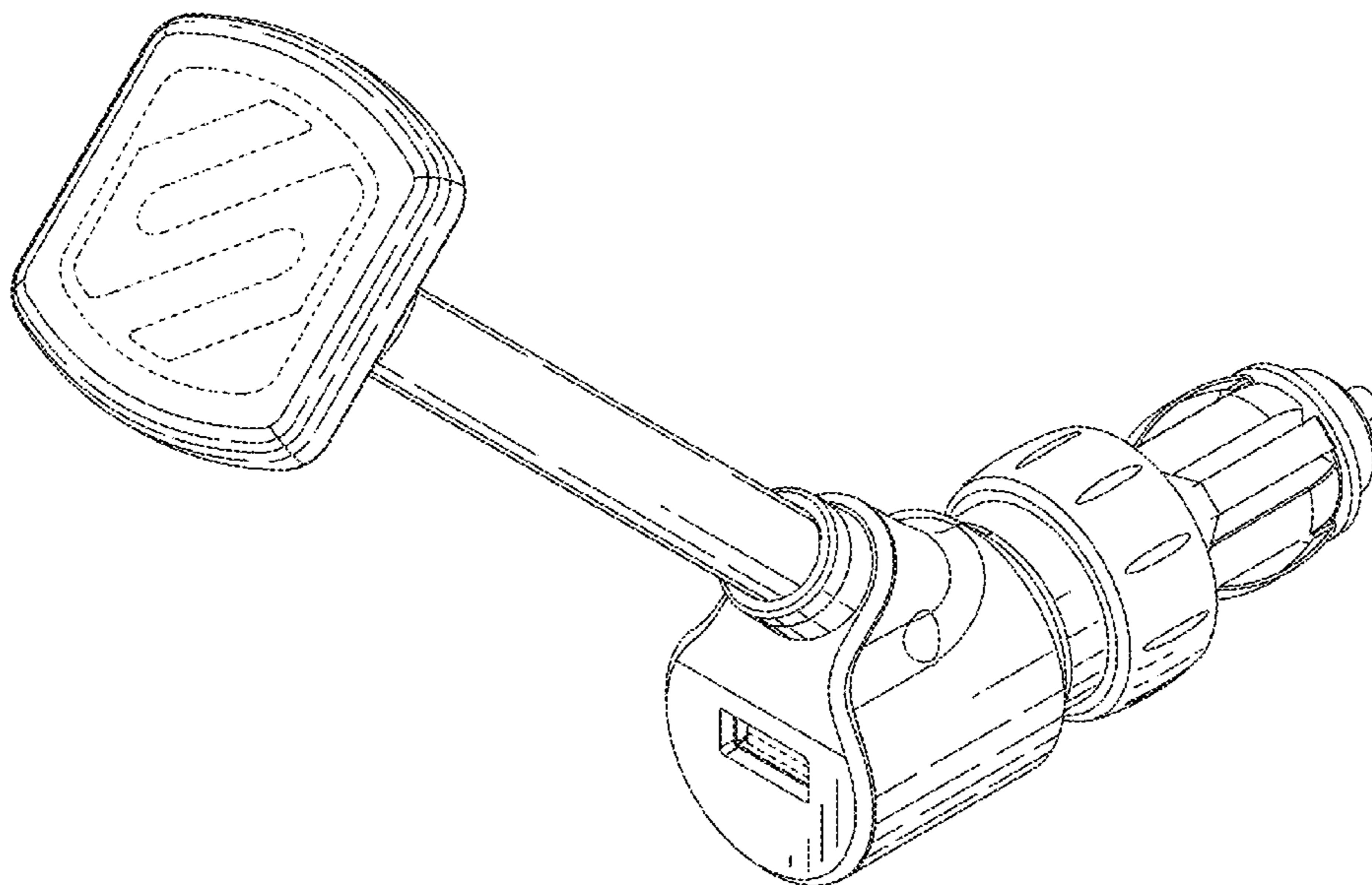
The ornamental design for a magnetic mounting system with power socket, as shown and described.

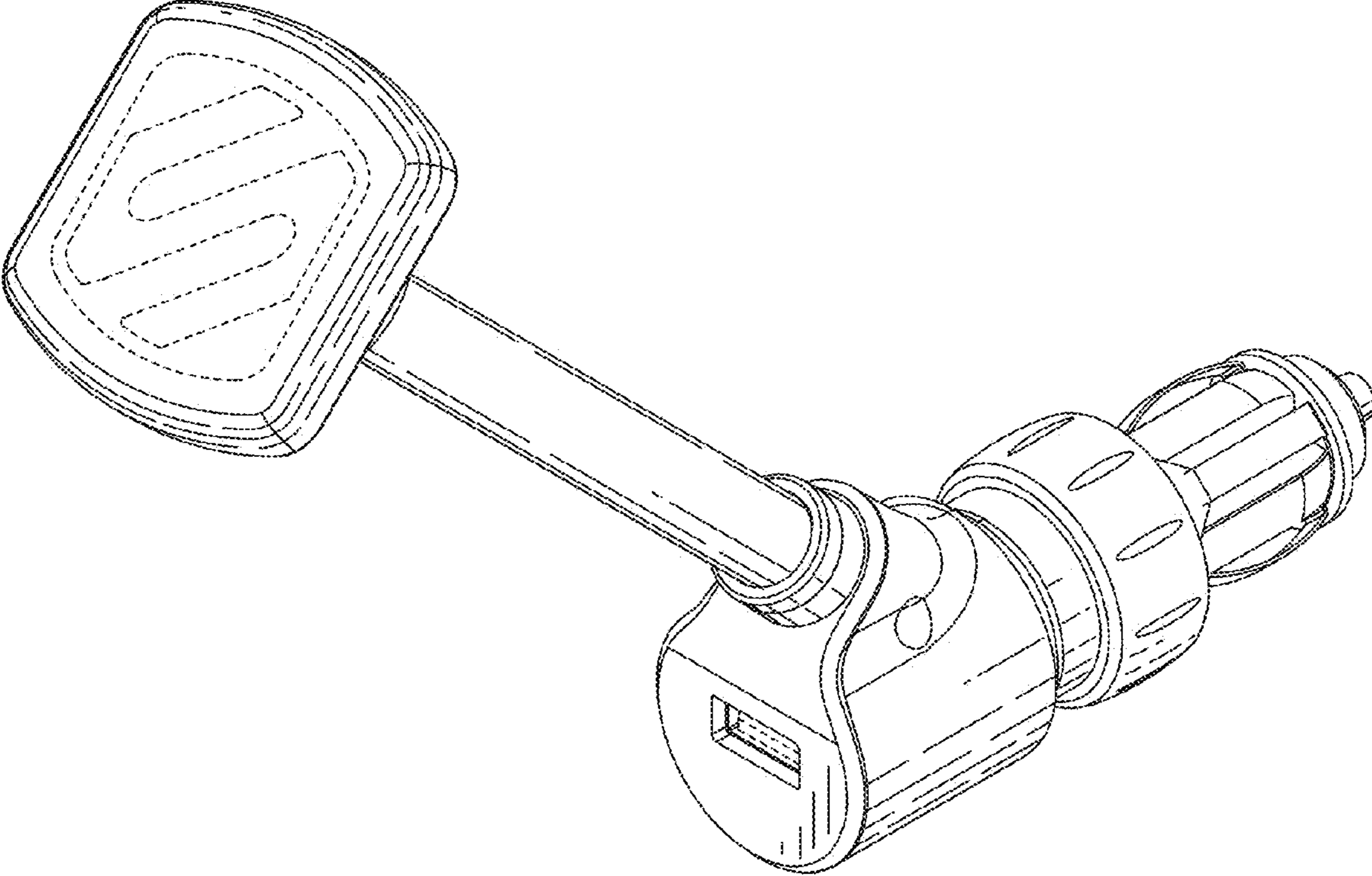
**DESCRIPTION**

FIG. 1 is a top perspective view of a magnetic mounting system with power socket showing our new design; FIG. 2 is a front view thereof; FIG. 3 is a left side view thereof; FIG. 4 is a top plan view thereof; FIG. 5 is a bottom plan view thereof; and, FIG. 6 is rear view thereof.

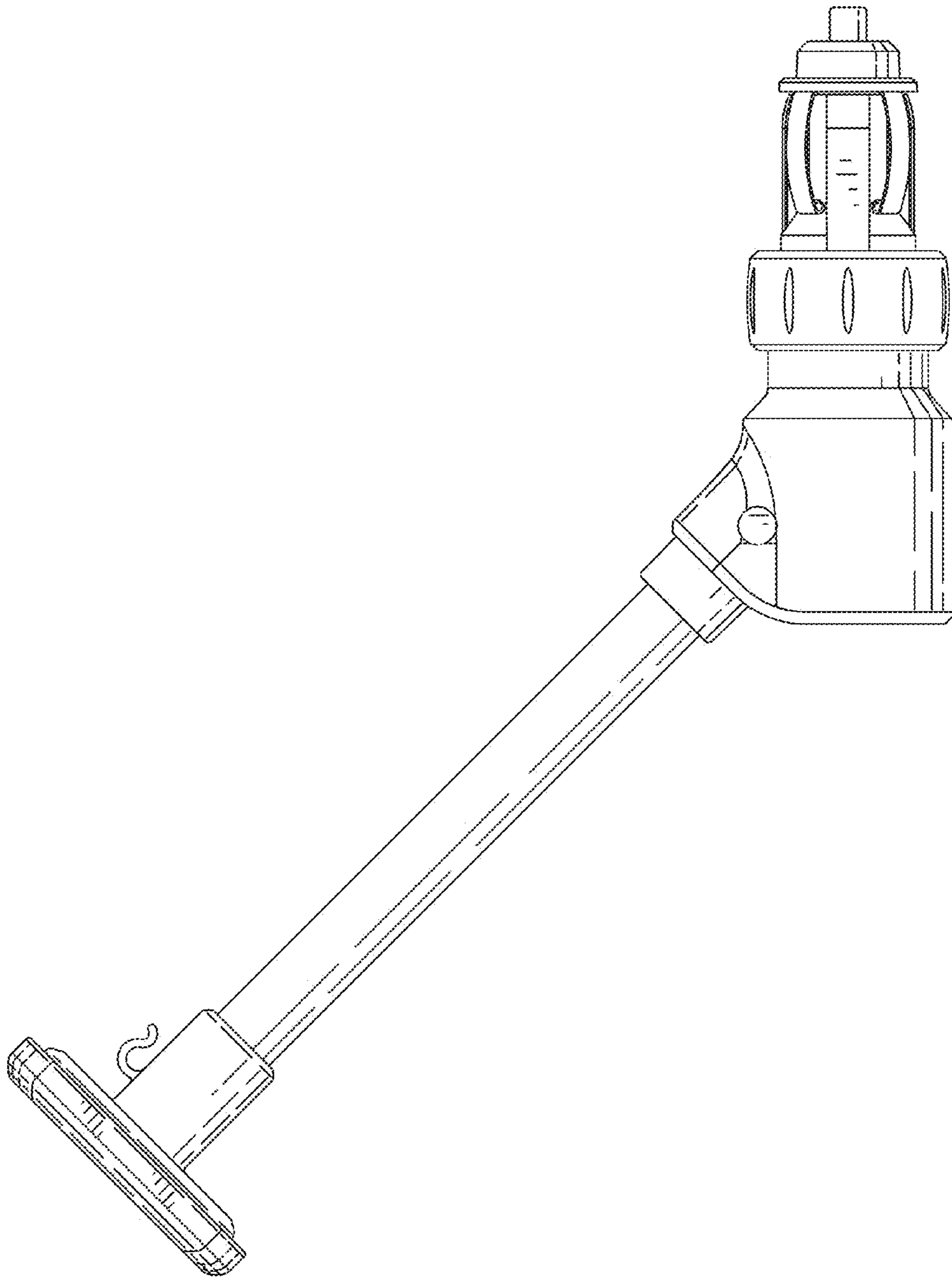
The broken lines shown represent unclaimed subject matter and form no part of the claimed design.

**1 Claim, 3 Drawing Sheets**

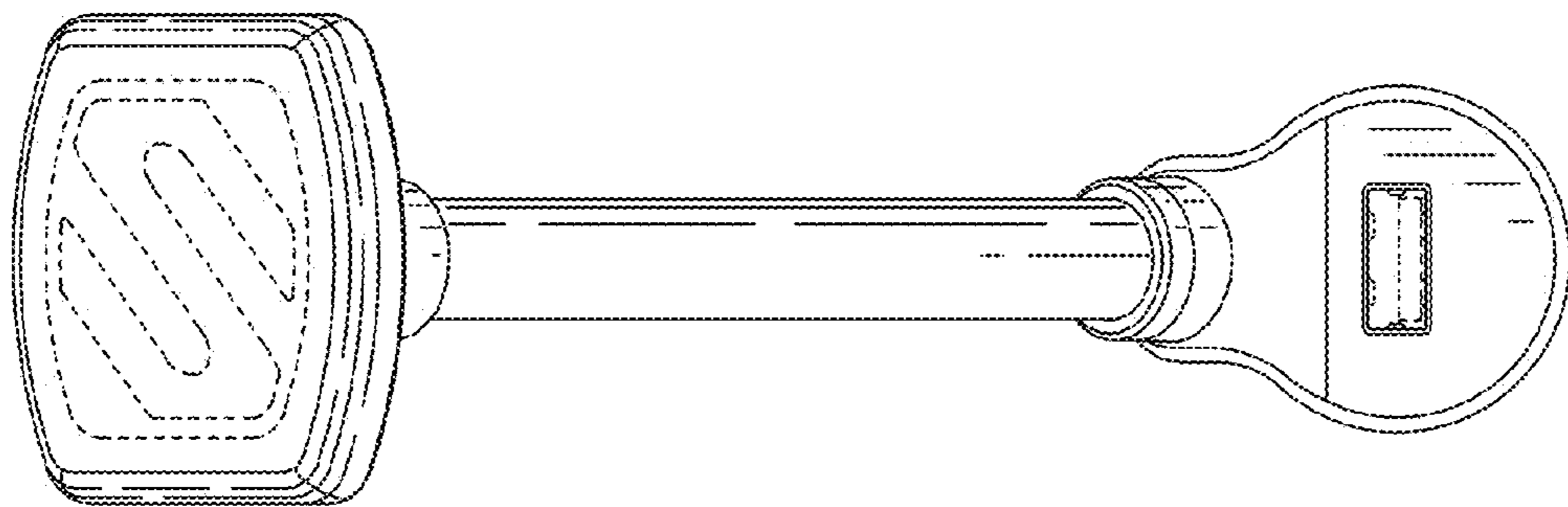




*Fig. 1*

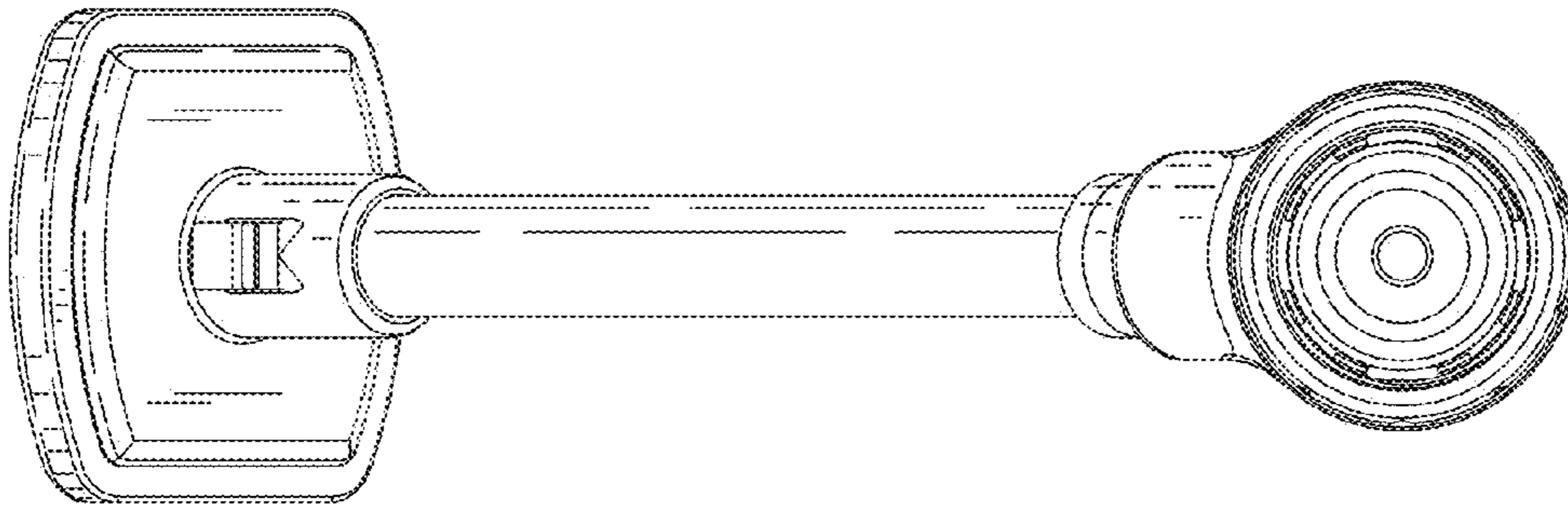


*Fig. 3*

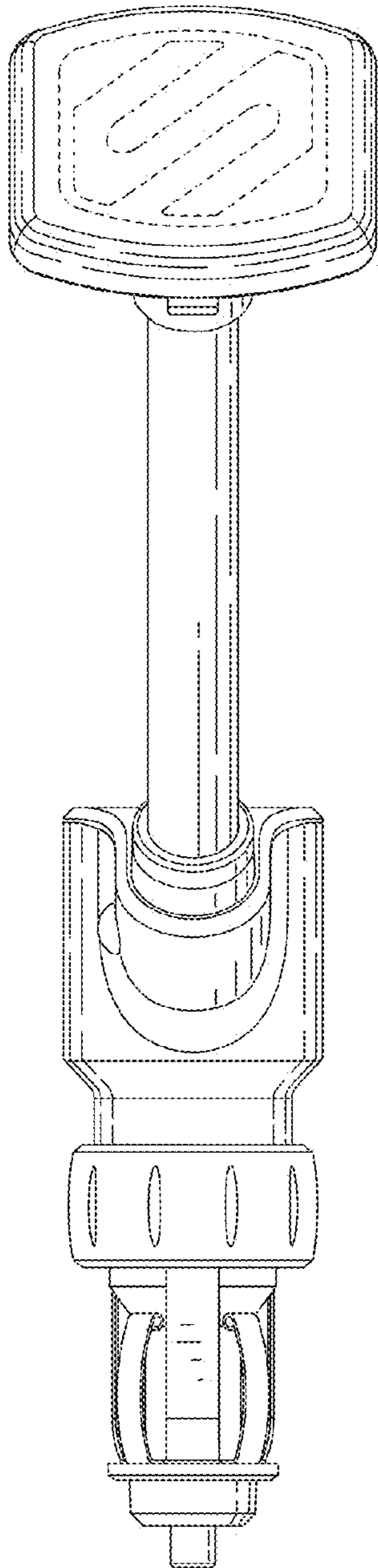


*Fig. 2*

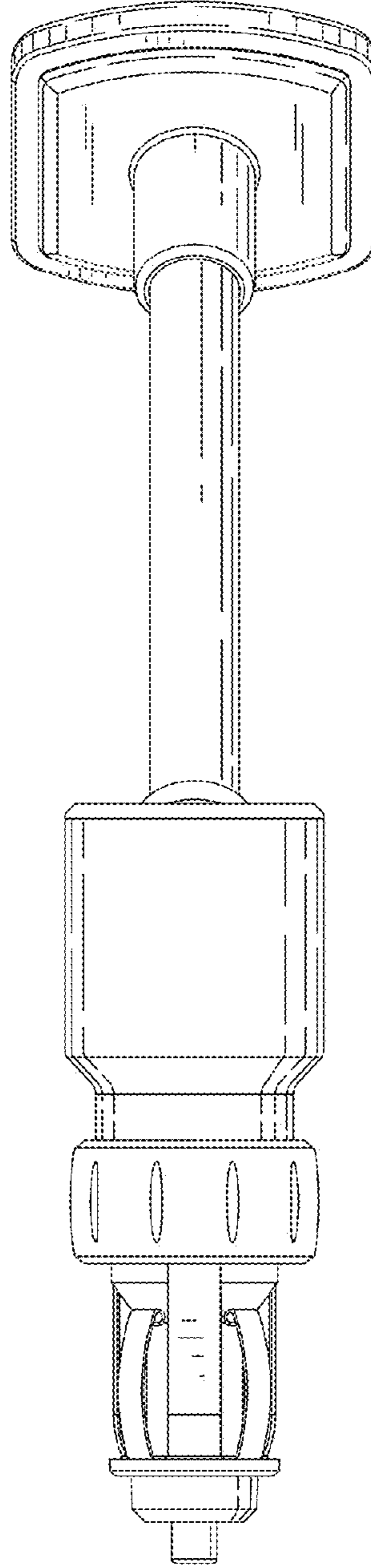




*Fig. 6*



*Fig. 4*



*Fig. 5*