



US00D711321S

(12) **United States Design Patent**
Yun

(10) **Patent No.:** **US D711,321 S**

(45) **Date of Patent:** **** Aug. 19, 2014**

(54) **SOCKET FOR COMMUNICATION DEVICE**

(71) Applicant: **JuYoung Yun**, Osan (KR)

(72) Inventor: **JuYoung Yun**, Osan (KR)

(73) Assignee: **UJU Electronics Co., Ltd.**, Sachang-ri,
Yanggam-myeon, Hwaseong-si,
Gyeonggi-do (KR)

(**) Term: **14 Years**

(21) Appl. No.: **29/450,488**

(22) Filed: **Mar. 18, 2013**

(51) **LOC (10) Cl.** **13-03**

(52) **U.S. Cl.**
USPC **D13/133**

(58) **Field of Classification Search**
USPC D13/120, 133, 146, 147, 154, 184, 199;
D14/432, 433, 435, 436, 438; 439/64,
439/79, 159-160, 330-331, 341-342,
439/629-630, 636, 660, 773, 860, 946
See application file for complete search history.

(56) **References Cited**

U.S. PATENT DOCUMENTS

| | | | | |
|--------------|--------|---------------|-------|---------|
| D505,921 S * | 6/2005 | Ma | | D13/149 |
| D509,476 S * | 9/2005 | Ma et al. | | D13/149 |
| D544,841 S * | 6/2007 | Nishio et al. | | D13/147 |
| D568,250 S * | 5/2008 | Wu et al. | | D13/147 |

| | | | | |
|--------------|---------|---------------|-------|---------|
| D570,291 S * | 6/2008 | Zhang | | D13/147 |
| D576,954 S * | 9/2008 | Hsiao | | D13/147 |
| D596,128 S * | 7/2009 | Hung et al. | | D13/147 |
| D614,576 S * | 4/2010 | Chiang | | D13/147 |
| D627,736 S * | 11/2010 | Gao et al. | | D13/147 |
| D648,681 S * | 11/2011 | Huang | | D13/147 |
| D648,682 S * | 11/2011 | Huang | | D13/147 |
| D648,684 S * | 11/2011 | Liu et al. | | D13/147 |
| D649,117 S * | 11/2011 | Sasaki et al. | | D13/147 |

* cited by examiner

Primary Examiner — Thomas Johannes

Assistant Examiner — Khawaja Anwar

(74) *Attorney, Agent, or Firm* — John K. Park; Park Law Firm

(57) **CLAIM**

The ornamental design for a socket for communication device, as shown and described.

DESCRIPTION

FIG. 1 is a perspective view of a socket for communication device showing my new design;
FIG. 2 is a front view thereof;
FIG. 3 is a rear view thereof;
FIG. 4 is a left side view thereof;
FIG. 5 is a right side view thereof;
FIG. 6 is a top plan view thereof; and,
FIG. 7 is a bottom view thereof.

The broken line showing of environment is for illustrative purposes only and forms no part of the claimed design.

1 Claim, 2 Drawing Sheets

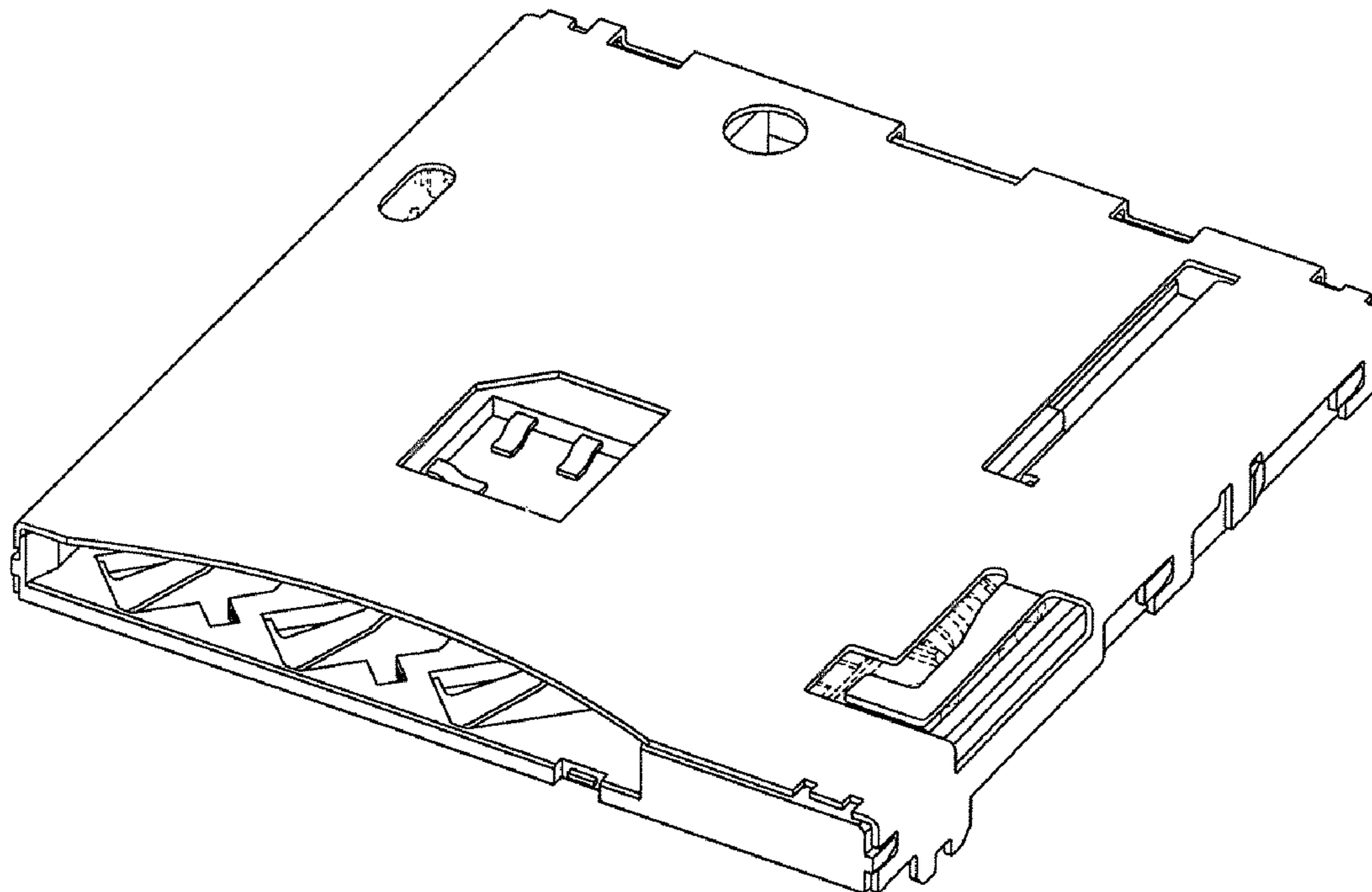


Fig. 1

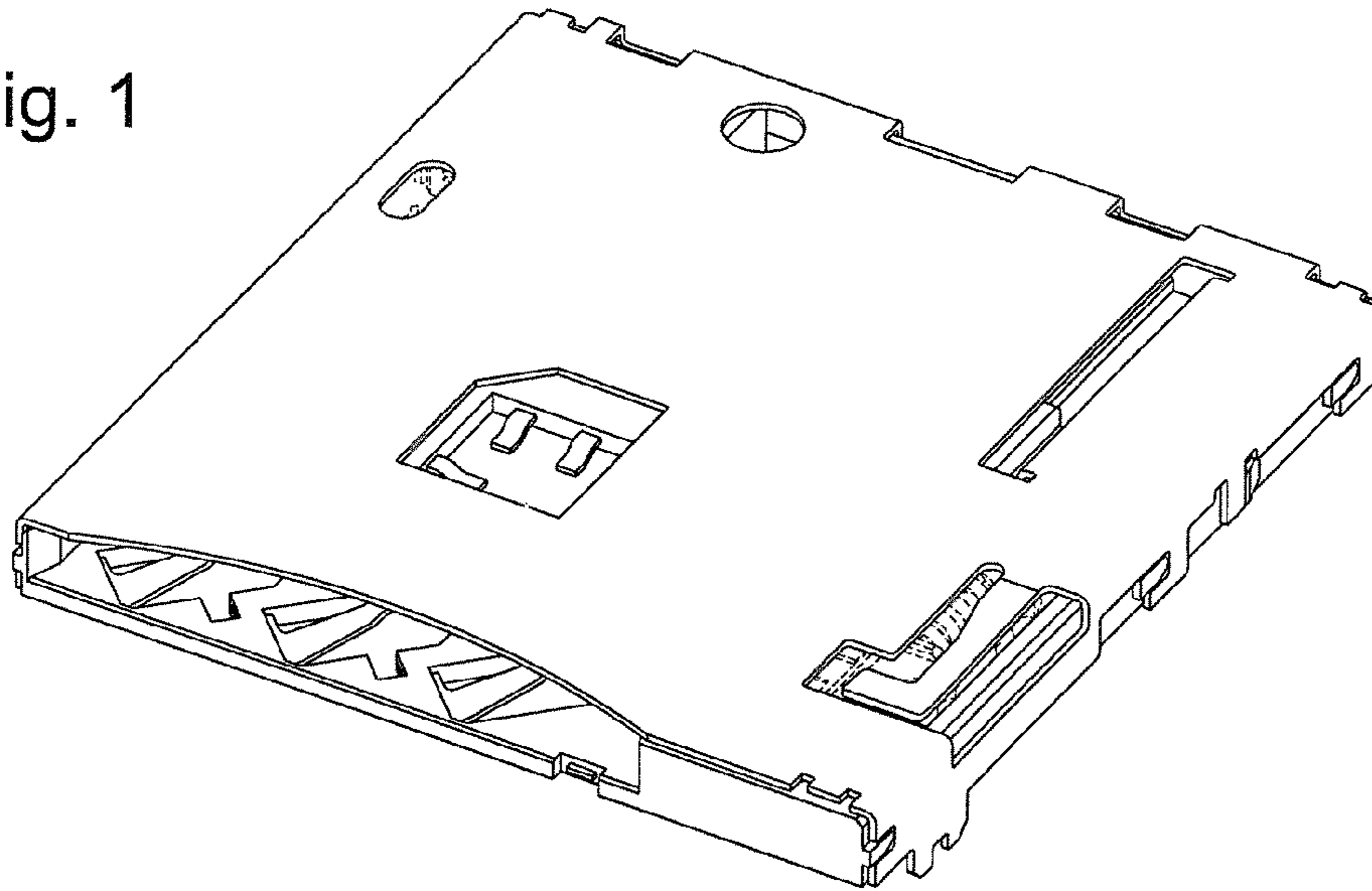


Fig. 2

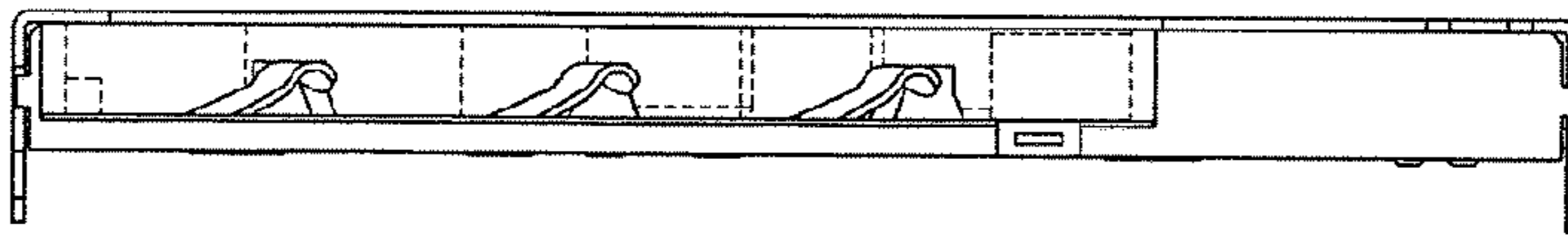


Fig. 3

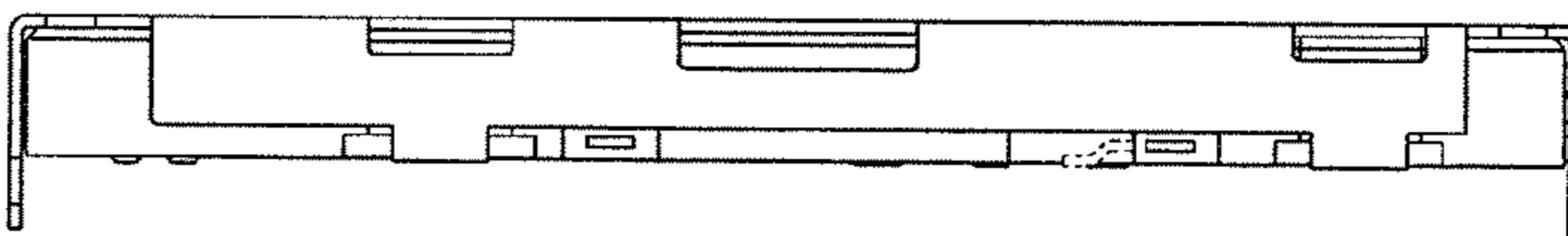


Fig. 4

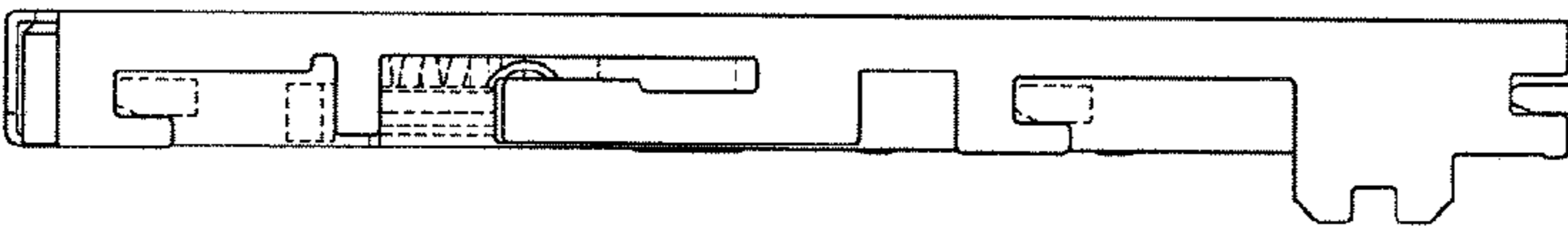


Fig. 5

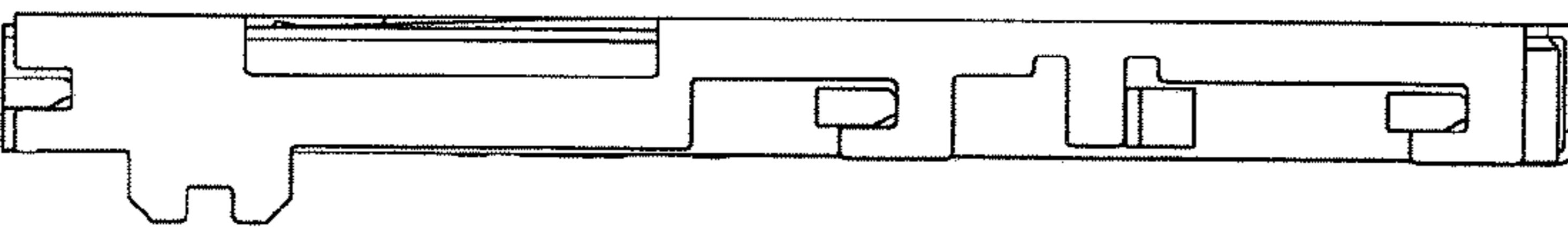


Fig. 6

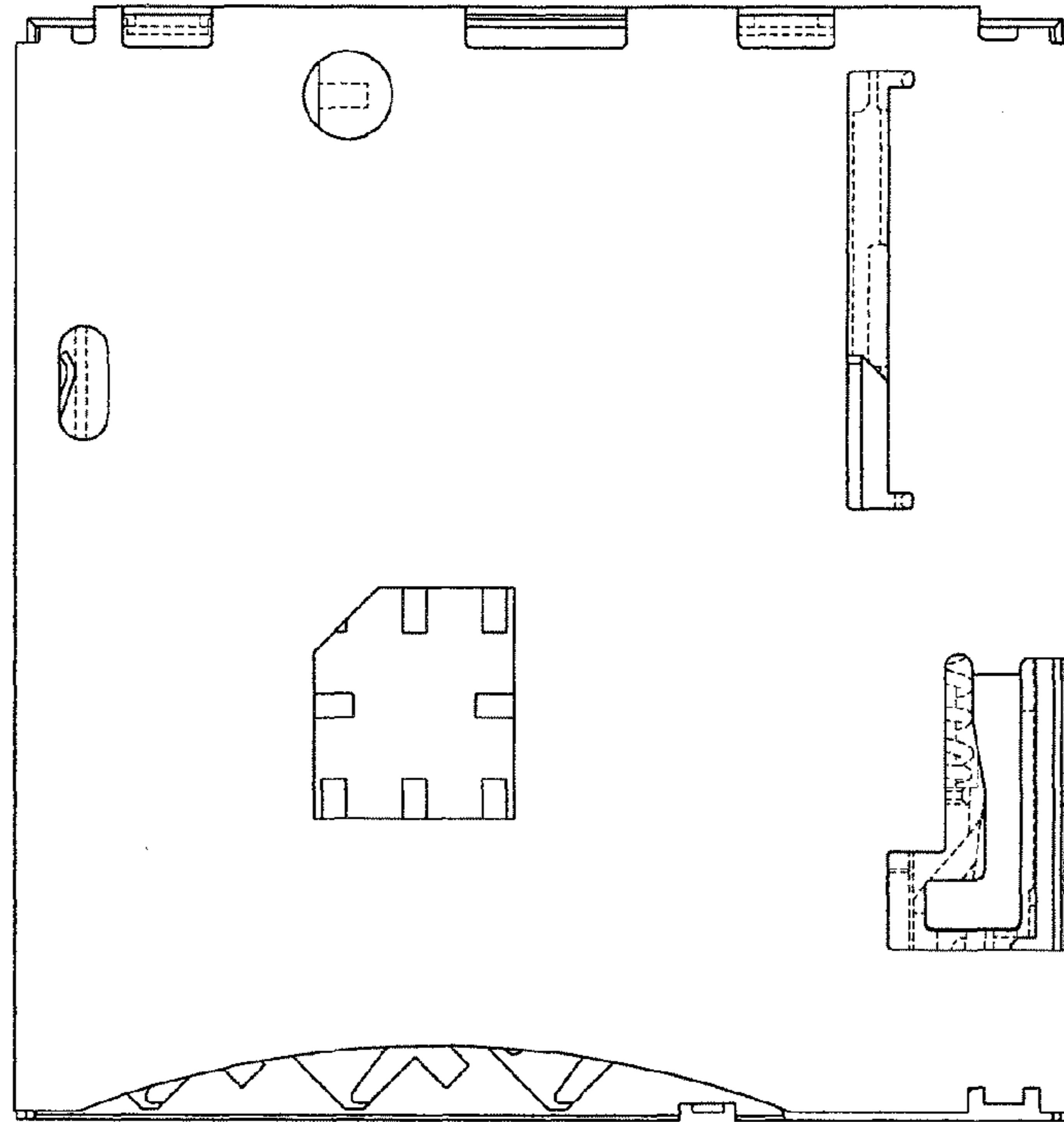


Fig. 7

