



US00D711320S

(12) **United States Design Patent**  
**Yang et al.**

(10) **Patent No.:** **US D711,320 S**

(45) **Date of Patent:** **\*\* Aug. 19, 2014**

(54) **OPTICAL FIBER PLUG**

(71) Applicant: **Sunsea Telecommunications Co., Ltd.**,  
Guangdong (CN)

(72) Inventors: **Guo Yang**, Guangdong (CN); **Lin Chen**,  
Guangdong (CN); **Qiyue Wang**,  
Guangdong (CN)

(73) Assignee: **Sunsea Telecommunications Co., Ltd.**,  
Guangdong (CN)

(\*\*) Term: **14 Years**

(21) Appl. No.: **29/448,436**

(22) Filed: **Mar. 12, 2013**

(30) **Foreign Application Priority Data**

Nov. 8, 2012 (CN) ..... 2012 3 0540186

(51) **LOC (10) Cl.** ..... **13-03**

(52) **U.S. Cl.**  
USPC ..... **D13/133**

(58) **Field of Classification Search**  
USPC ..... D13/133, 146, 147, 154, 184, 199;  
385/53, 54, 55, 56, 76, 77, 88, 89

See application file for complete search history.

(56) **References Cited**

U.S. PATENT DOCUMENTS

D619,100	S	*	7/2010	Larson et al.	.....	D13/154
D670,652	S	*	11/2012	Chen et al.	.....	D13/133
D673,501	S	*	1/2013	Yang et al.	.....	D13/133
D673,502	S	*	1/2013	Zhong et al.	.....	D13/133
D674,347	S	*	1/2013	Shifris et al.	.....	D13/133
D676,384	S	*	2/2013	Yang et al.	.....	D13/133
D680,075	S	*	4/2013	Yang et al.	.....	D13/133

\* cited by examiner

*Primary Examiner* — Daniel Bui

*Assistant Examiner* — Khawaja Anwar

(74) *Attorney, Agent, or Firm* — Nixon & Vanderhye, P.C.

(57) **CLAIM**

The ornamental design for an optical fiber plug, as shown and described.

**DESCRIPTION**

FIG. 1 is a front view of an optical fiber plug showing our new design;

FIG. 2 is rear view thereof;

FIG. 3 is a left side view thereof;

FIG. 4 is a right side view thereof;

FIG. 5 is a top view thereof;

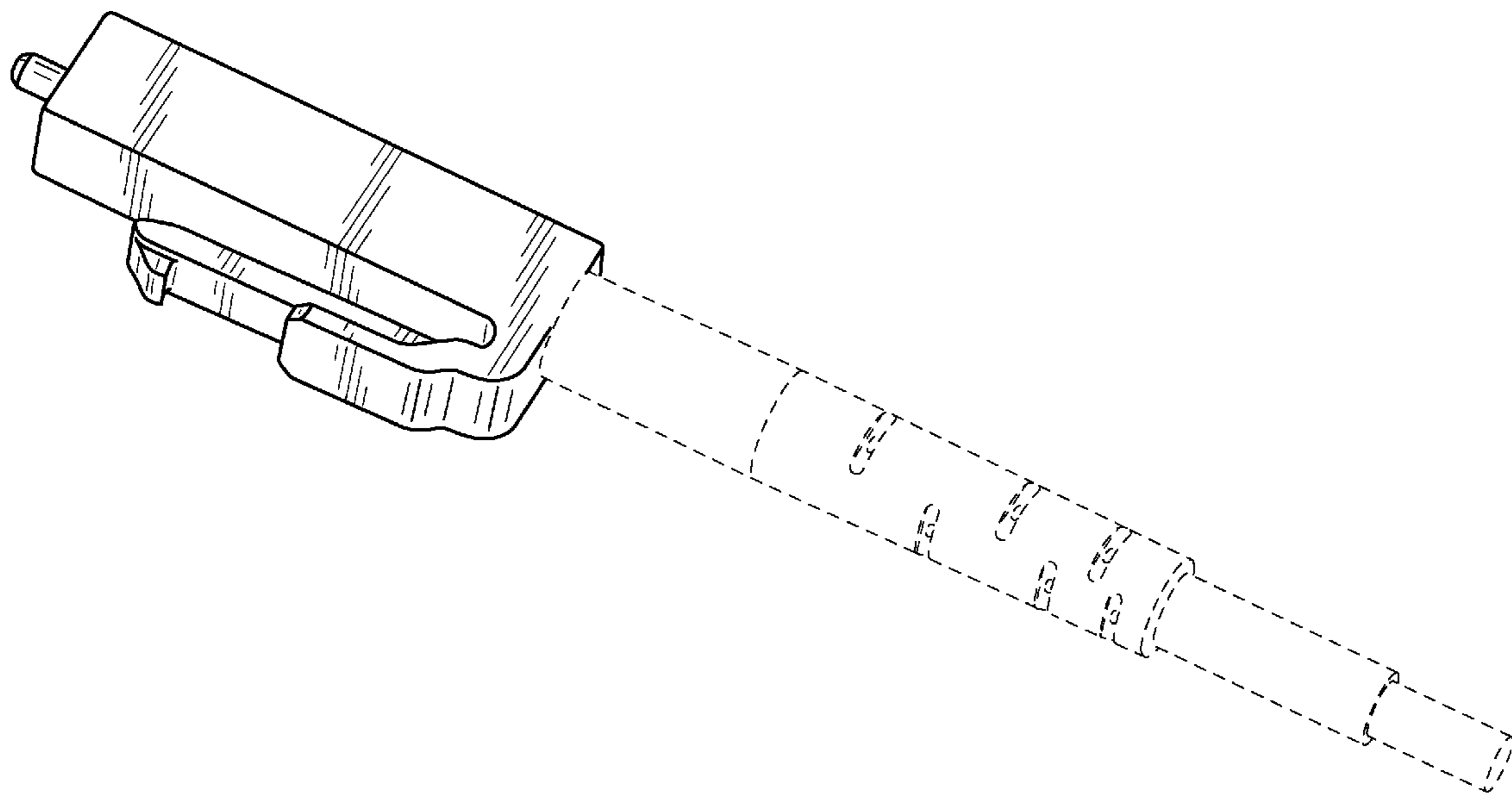
FIG. 6 is a bottom view thereof;

FIG. 7 is a first perspective view thereof; and,

FIG. 8 is a second perspective view thereof.

The broken line portion in the figure drawing views is included for the purpose of illustrating environment and forms no part of the claimed design.

**1 Claim, 4 Drawing Sheets**



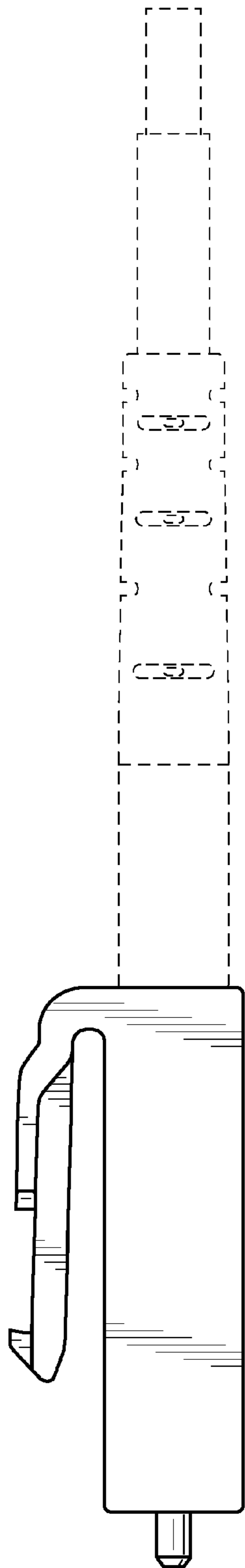


FIG. 1

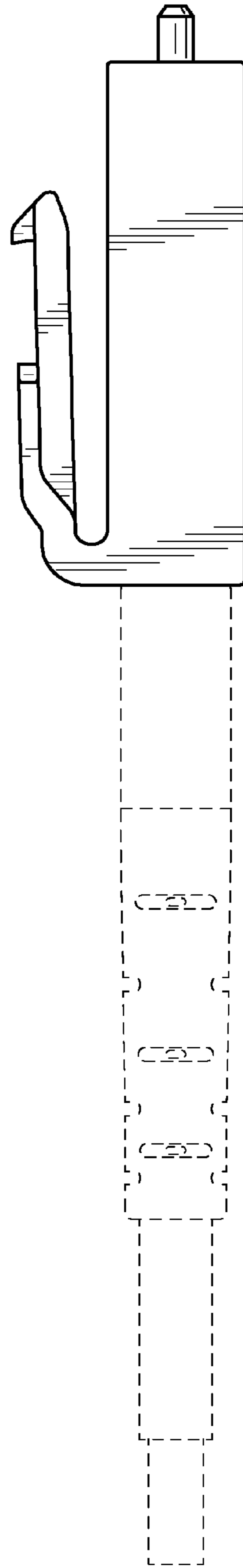


FIG. 2

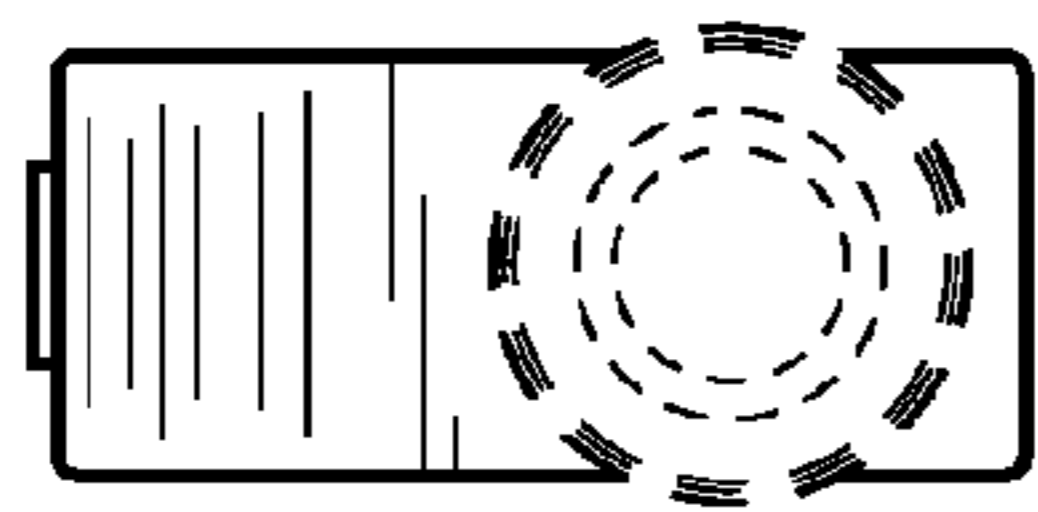


FIG. 3

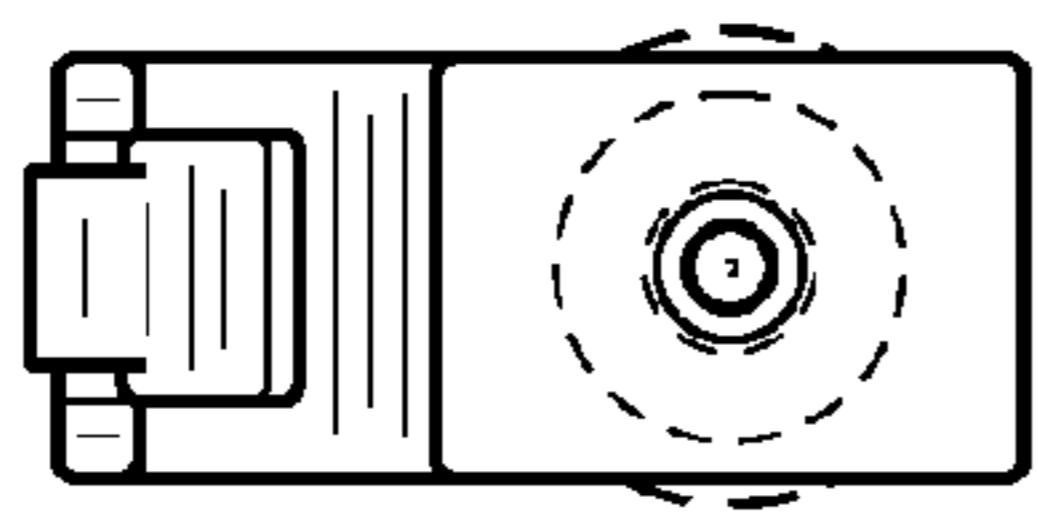


FIG. 4

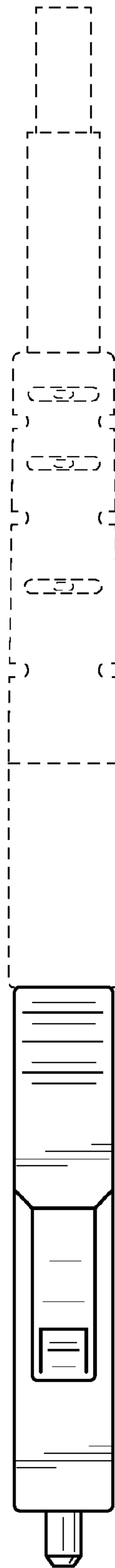


FIG. 5

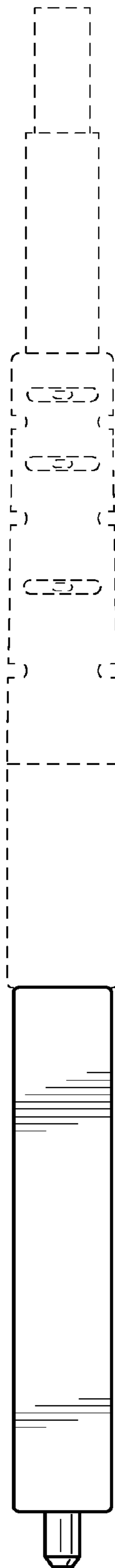


FIG. 6

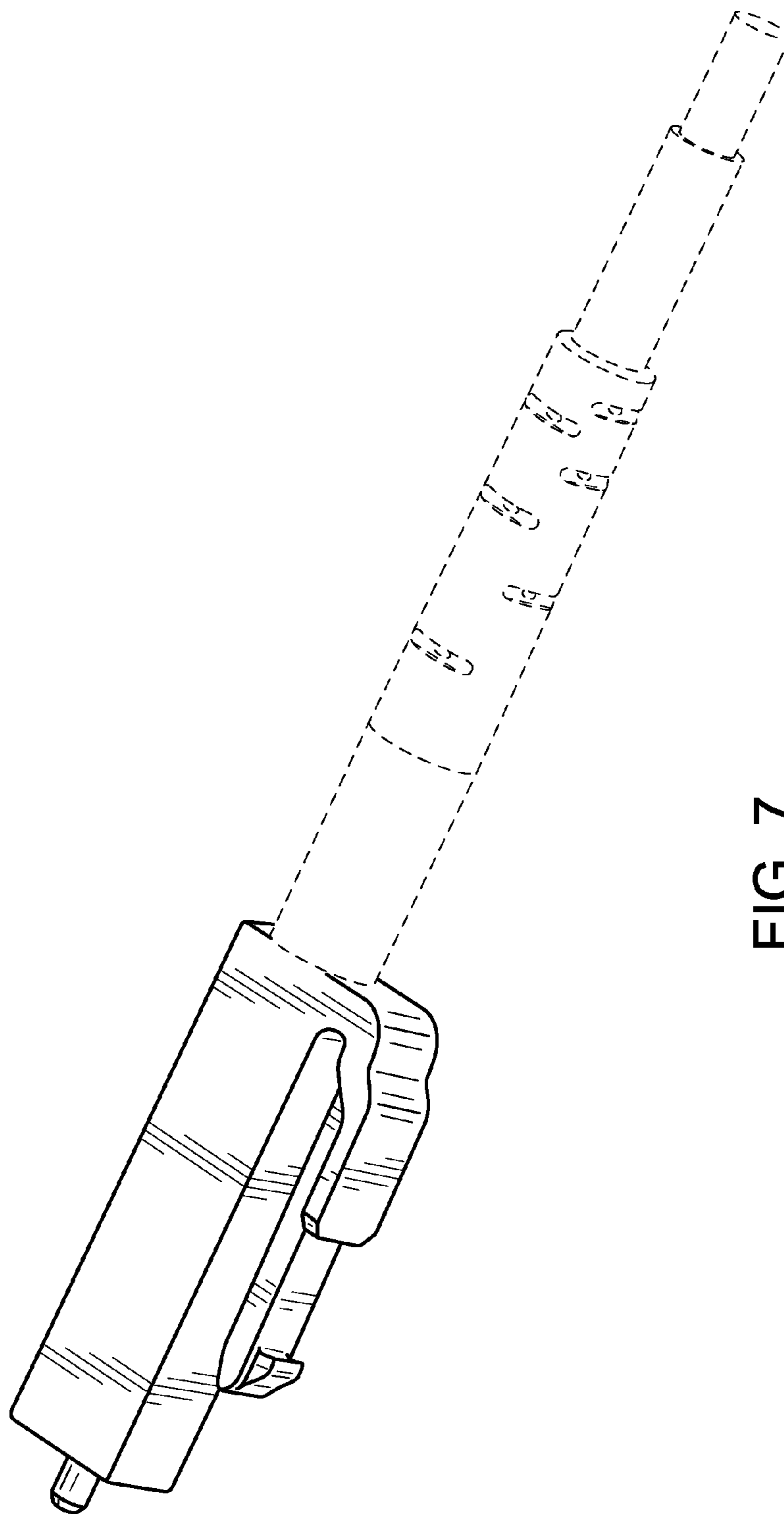


FIG. 7

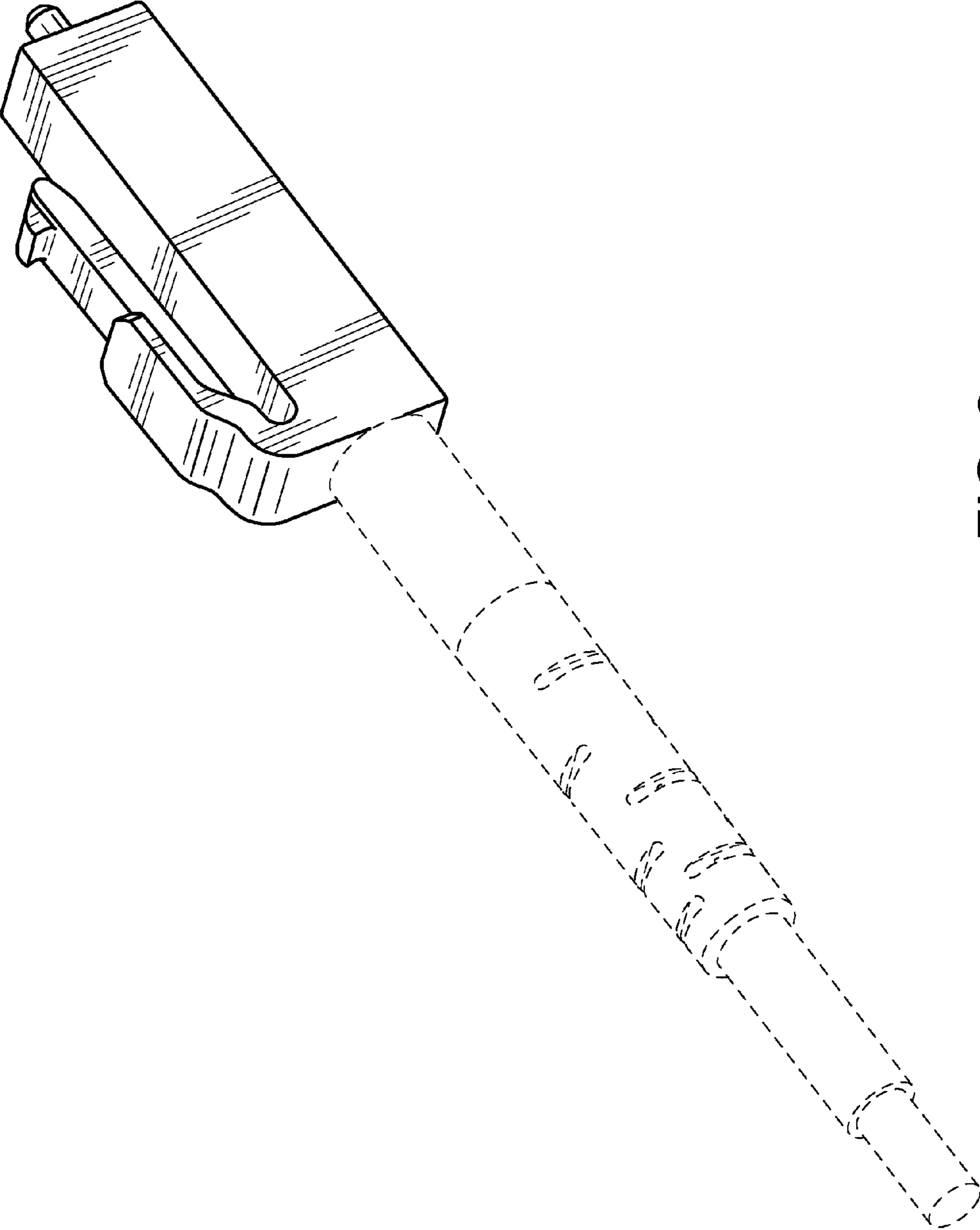


FIG. 8