



US00D711319S

(12) **United States Design Patent**
Wilcox

(10) **Patent No.:** **US D711,319 S**

(45) **Date of Patent:** **** Aug. 19, 2014**

(54) **PORTABLE GENERATOR**

(71) Applicant: **Polaris Industries Inc.**, Medina, MN
(US)

(72) Inventor: **Steven D. Wilcox**, Maple Grove, MN
(US)

(73) Assignee: **Polaris Industries Inc.**, Medina, MN
(US)

(**) Term: **14 Years**

(21) Appl. No.: **29/465,631**

(22) Filed: **Aug. 29, 2013**

(51) **LOC (10) Cl.** **13-01**

(52) **U.S. Cl.**
USPC **D13/116**

(58) **Field of Classification Search**
USPC D13/116, 112, 113, 114, 122, 199;
D15/1, 7, 199; 290/1 A, 1 B; 307/150,
307/151, 153; 322/1, 2 R
See application file for complete search history.

(56) **References Cited**

U.S. PATENT DOCUMENTS

D414,461 S * 9/1999 Wang D13/116
6,091,160 A * 7/2000 Kouchi et al. 290/1 A

6,100,599 A * 8/2000 Kouchi et al. 290/1 A
D437,825 S * 2/2001 Imai D13/116
D488,442 S * 4/2004 Fan D13/112
D597,485 S * 8/2009 Ma D13/116
D620,886 S * 8/2010 Flattinger et al. D13/116
D630,581 S * 1/2011 Xu et al. D13/116

* cited by examiner

Primary Examiner — Derrick Holland

(74) *Attorney, Agent, or Firm* — Faegre Baker Daniels LLP

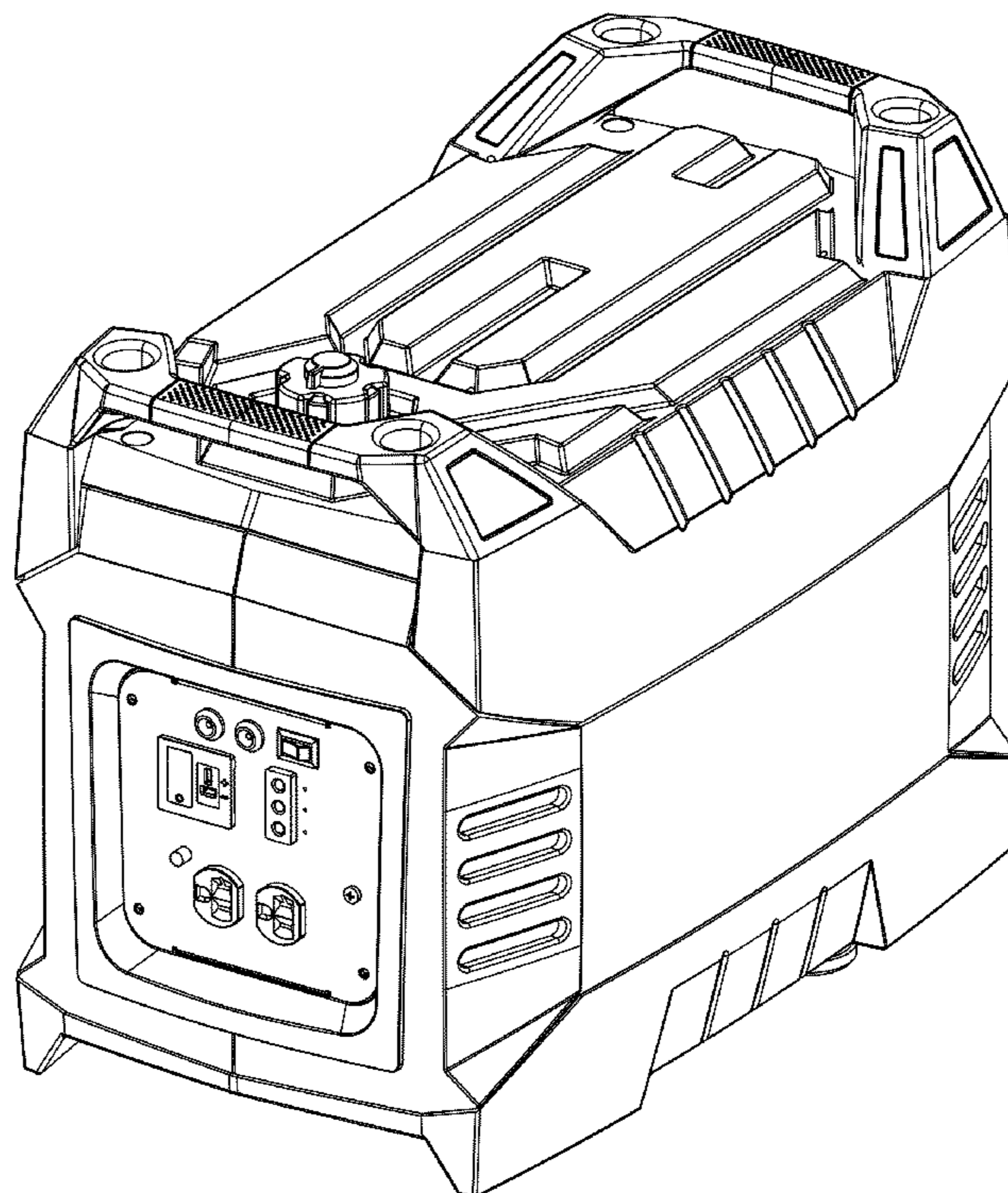
(57) **CLAIM**

The ornamental design for a portable generator, as shown and described.

DESCRIPTION

FIG. 1 is a front perspective view of the portable generator of the present application;
FIG. 2 is a lower rear perspective view of the portable generator of FIG. 1;
FIG. 3 is a front-end view of the portable generator of FIG. 1;
FIG. 4 is a back-end view of the portable generator of FIG. 1;
FIG. 5 is a left-side view of the portable generator of FIG. 1;
FIG. 6 is a right-side view of the portable generator of FIG. 1;
FIG. 7 is a top-plan view of the portable generator of FIG. 1;
and,
FIG. 8 is a bottom-plan view of the portable generator of FIG. 1.

1 Claim, 8 Drawing Sheets



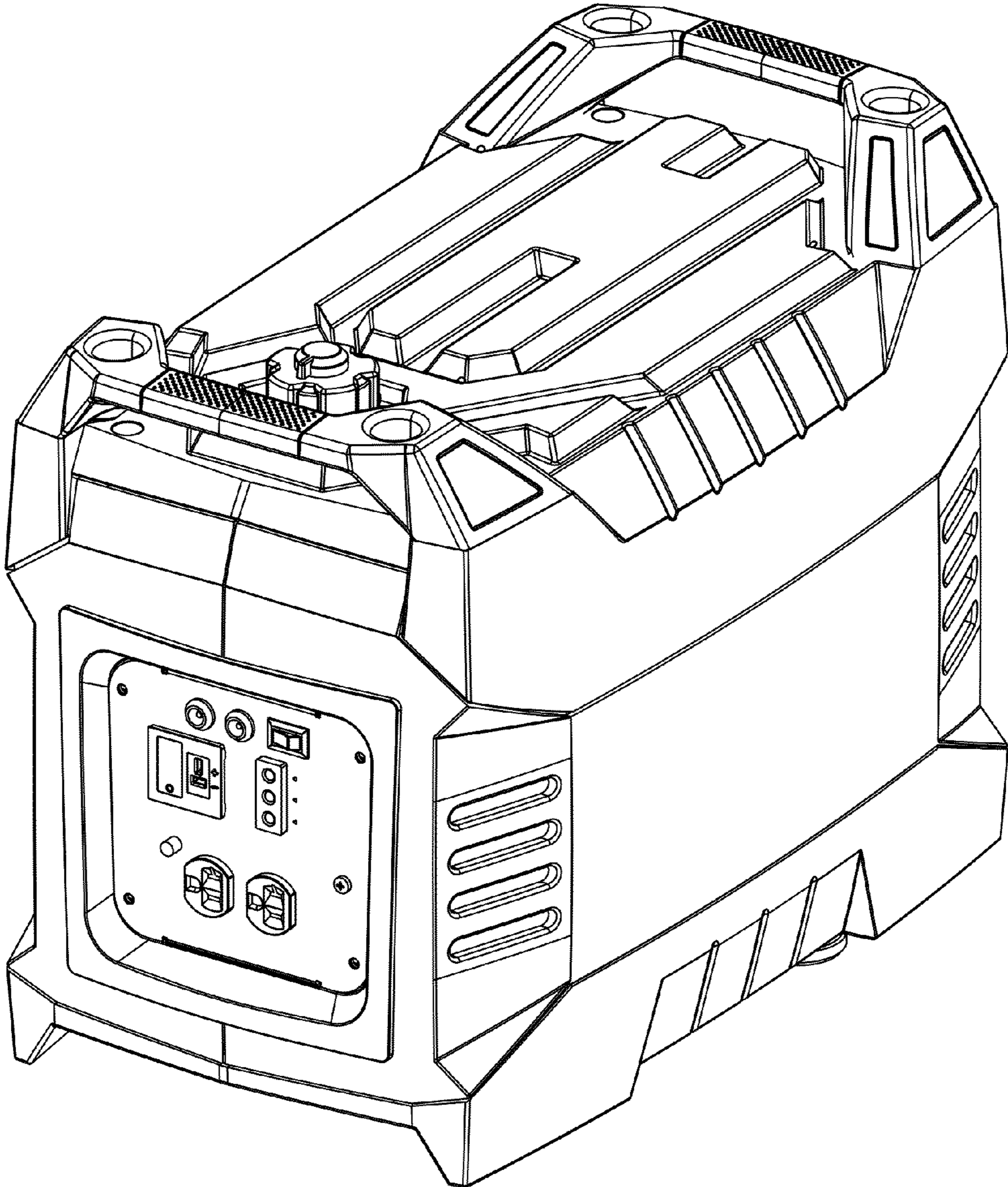


Fig. 1

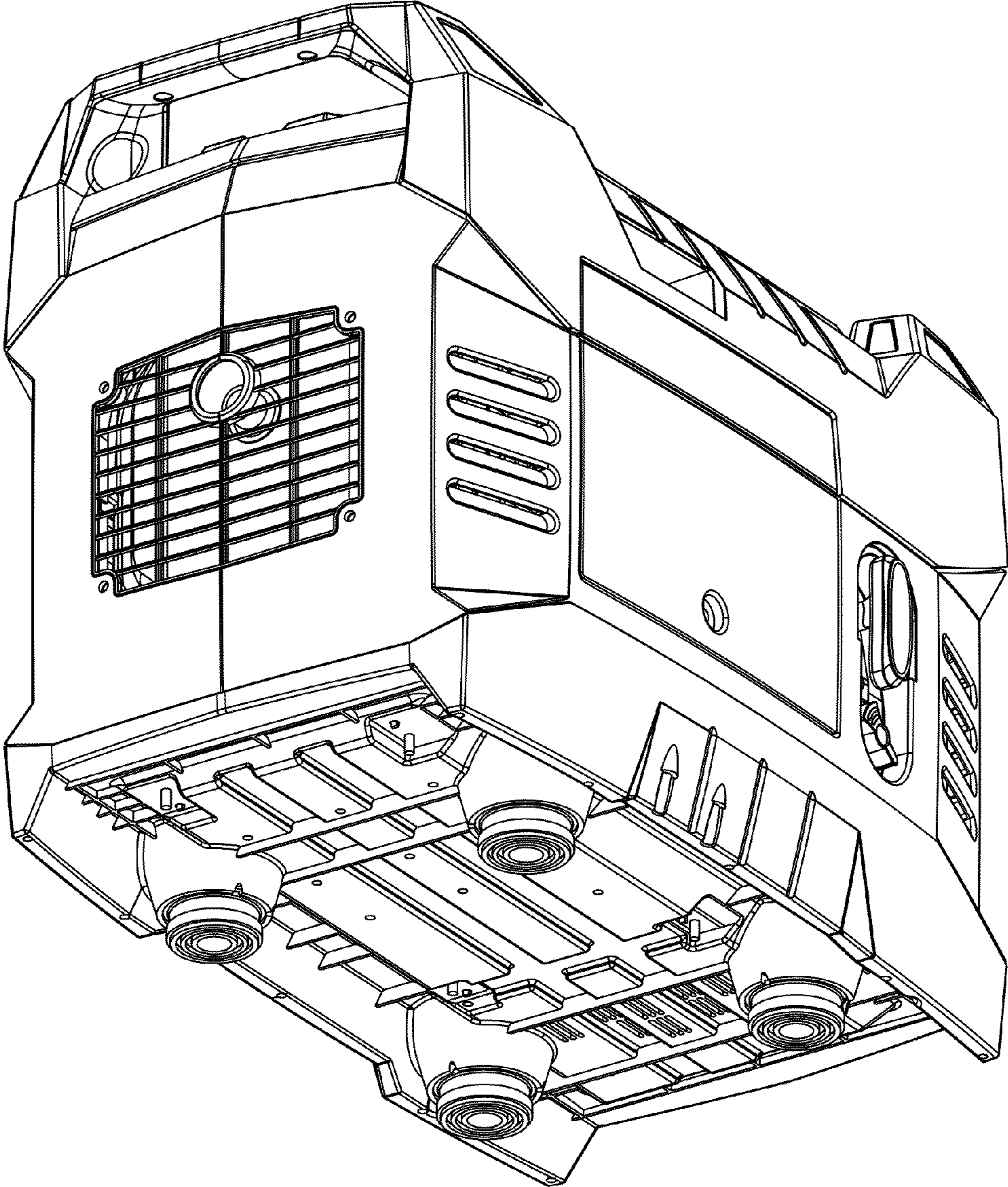


Fig. 2

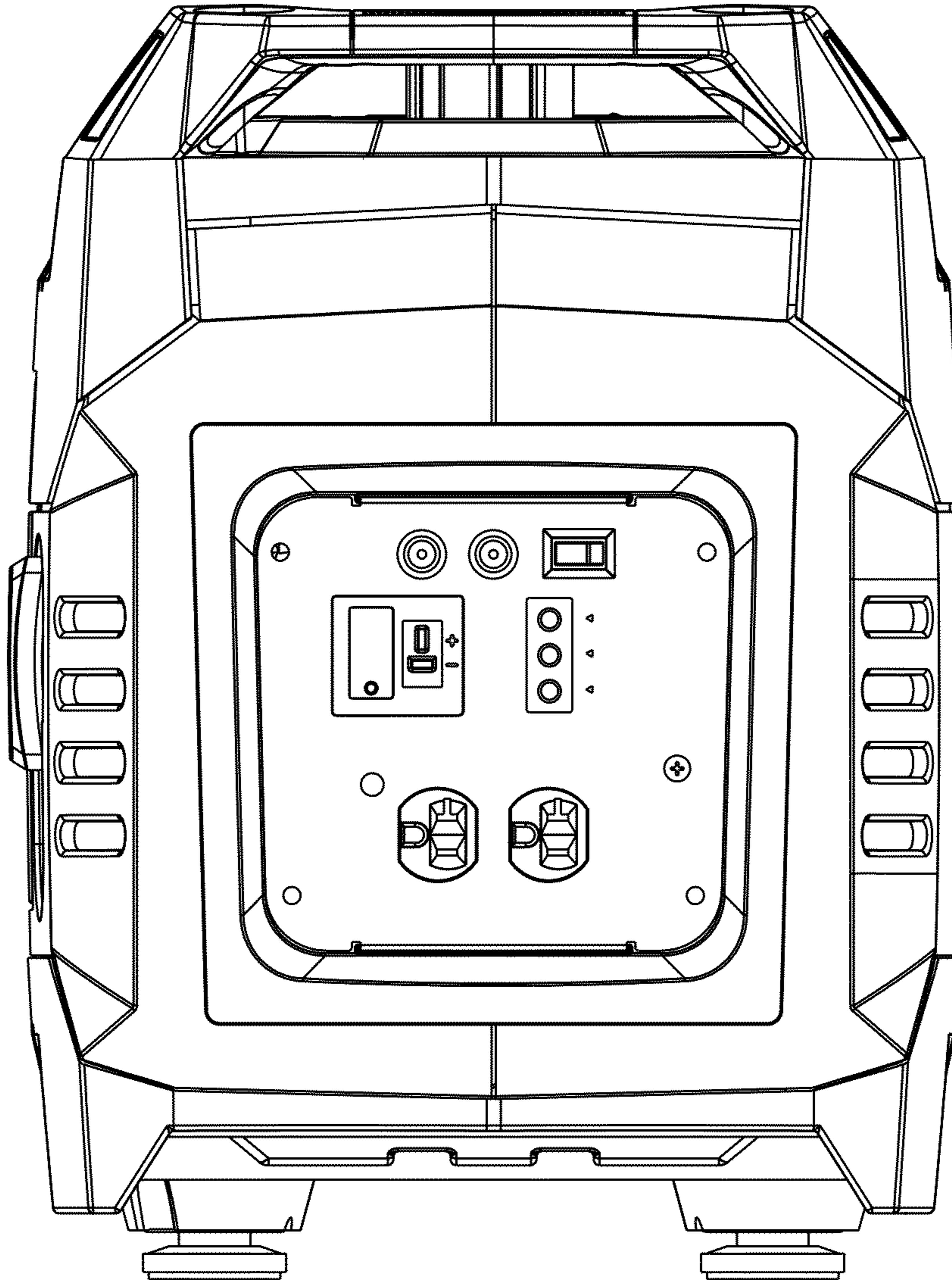


Fig. 3

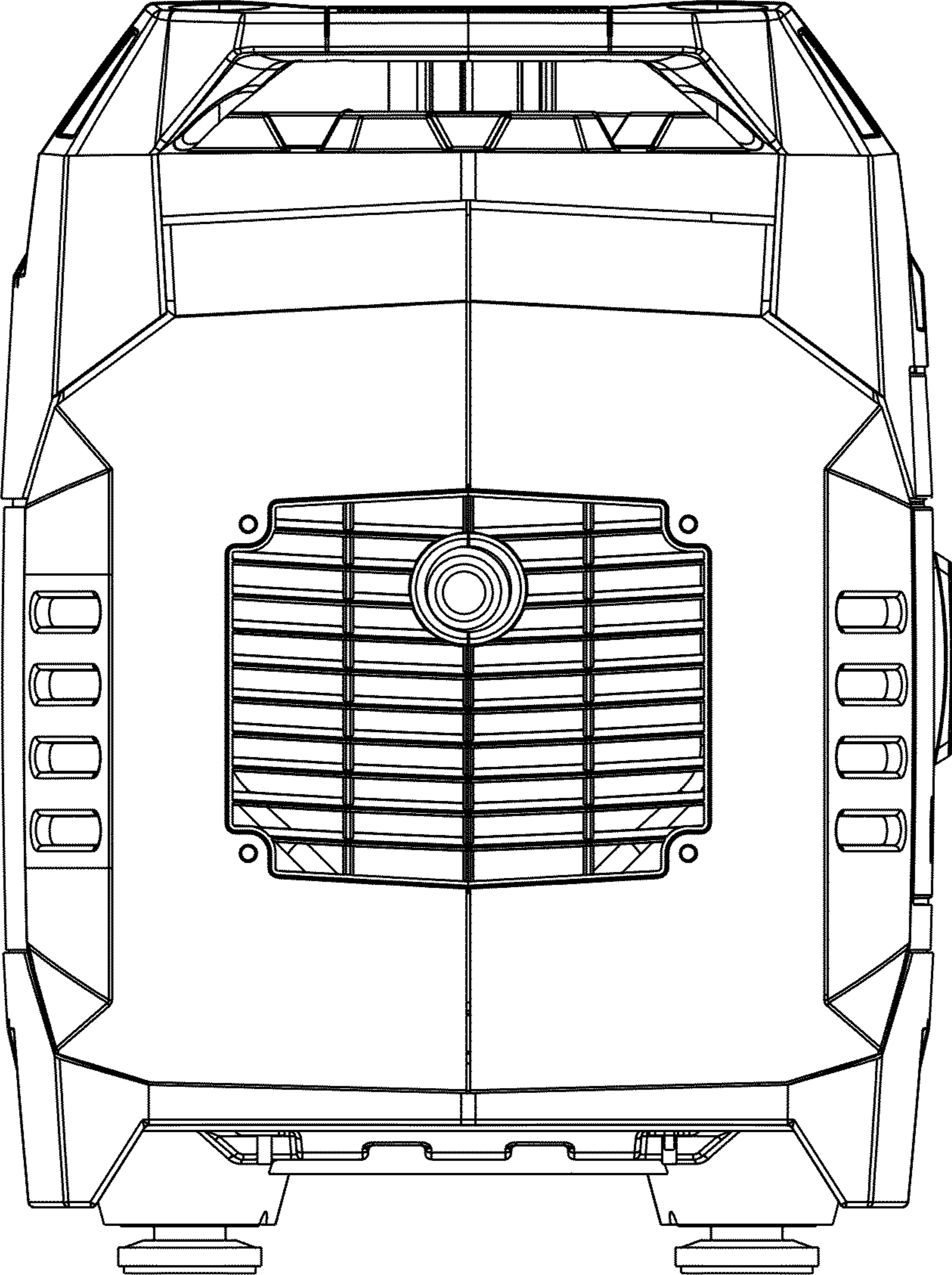


Fig. 4

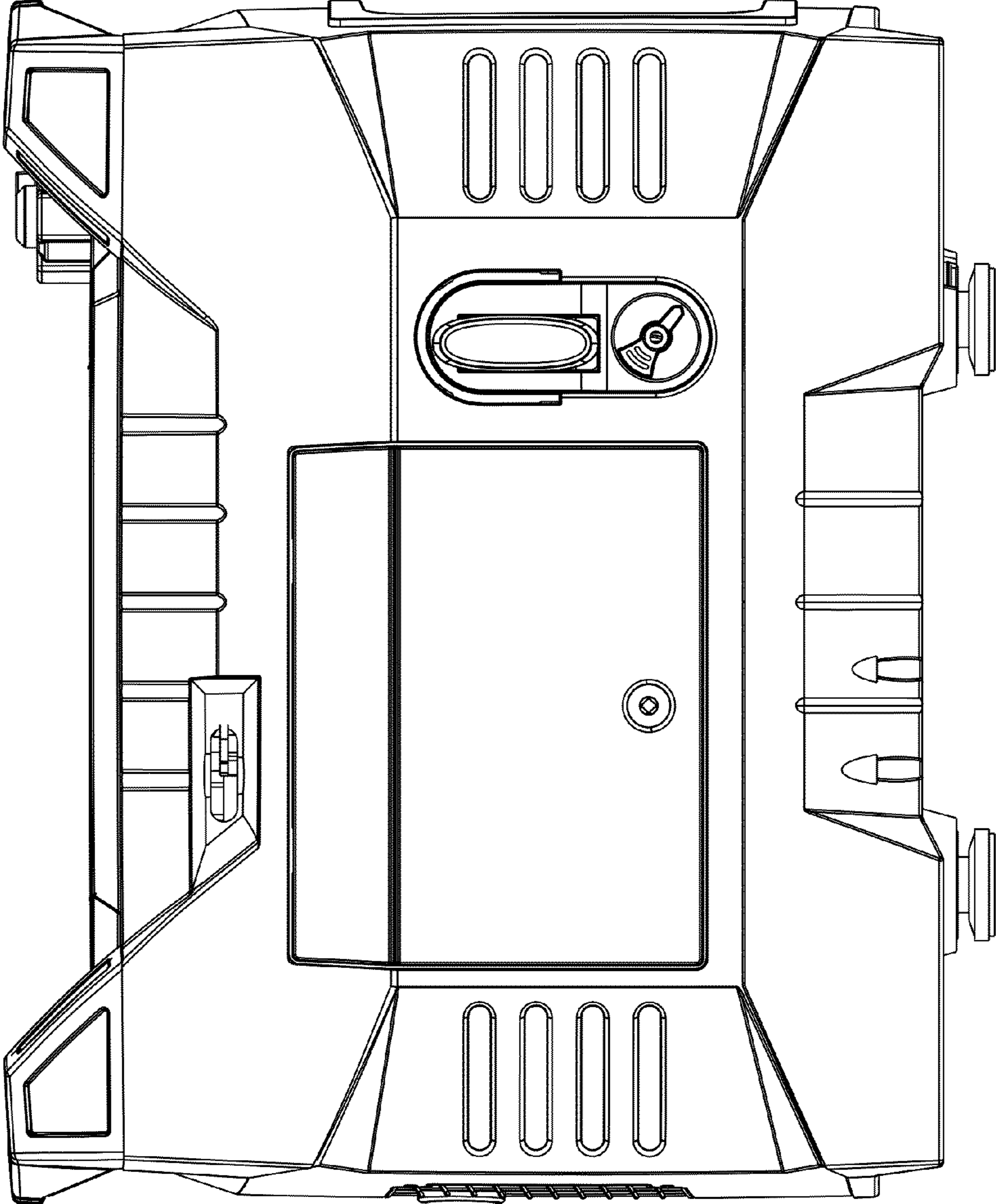
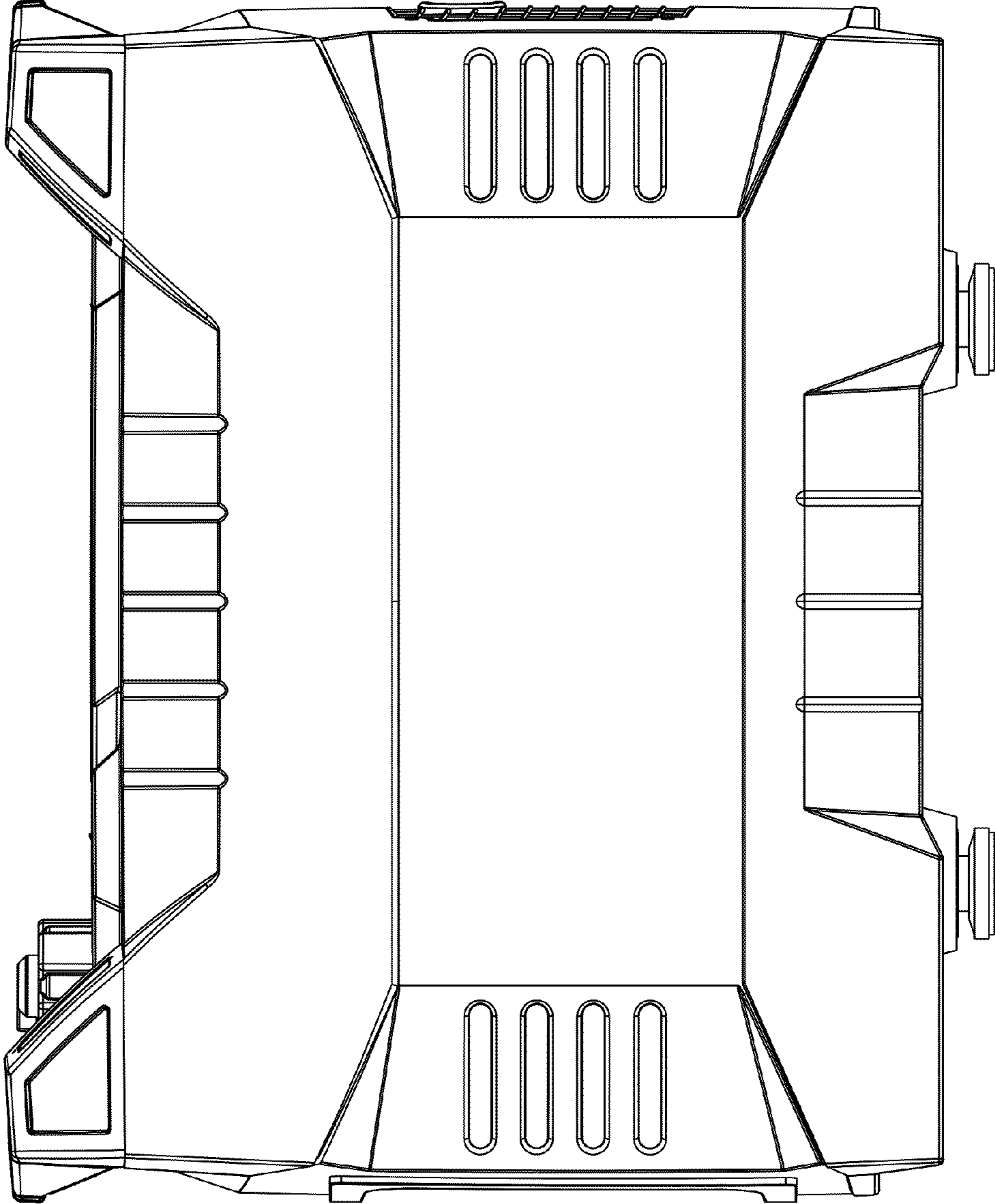


Fig. 5

Fig. 6



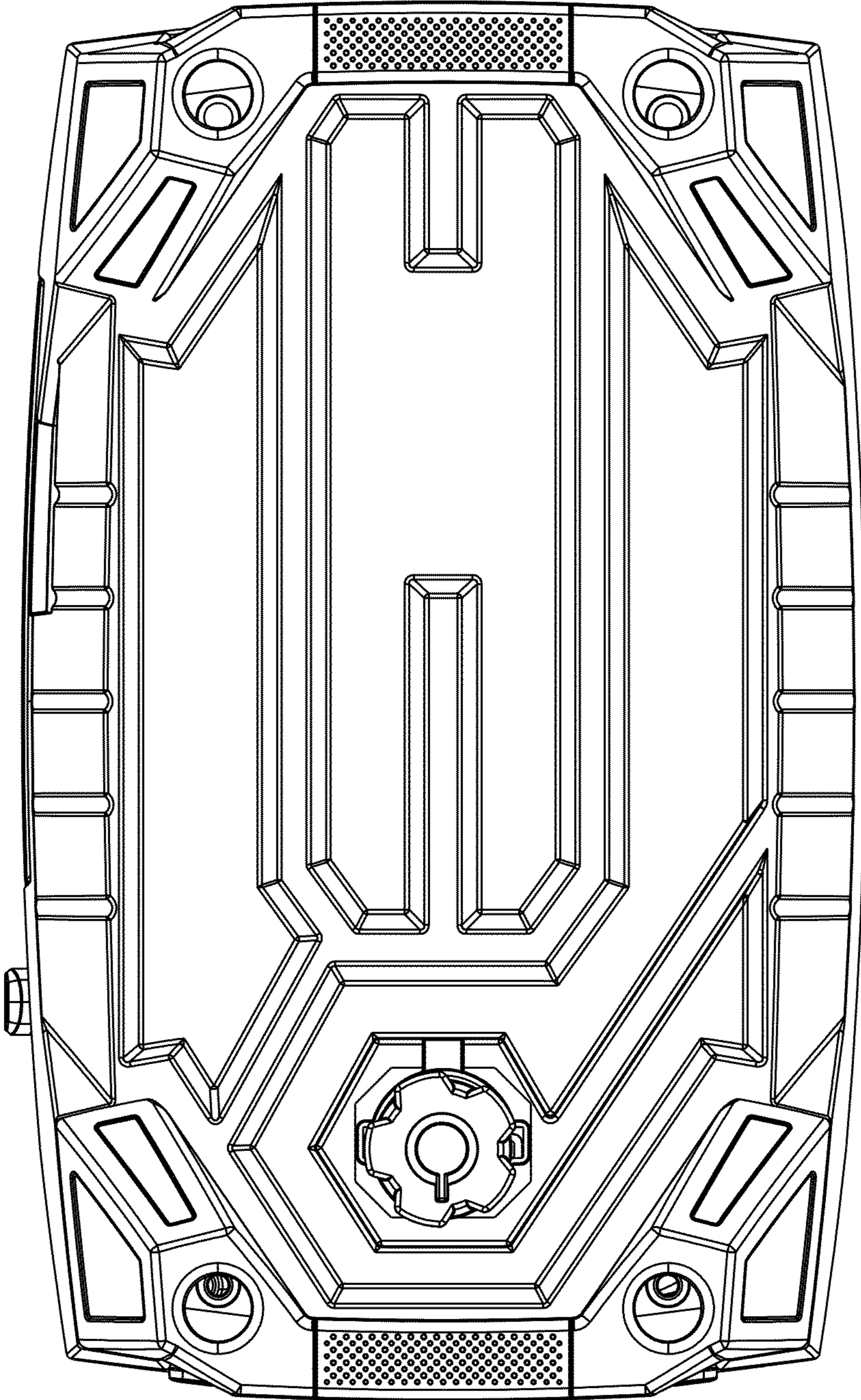


Fig. 7

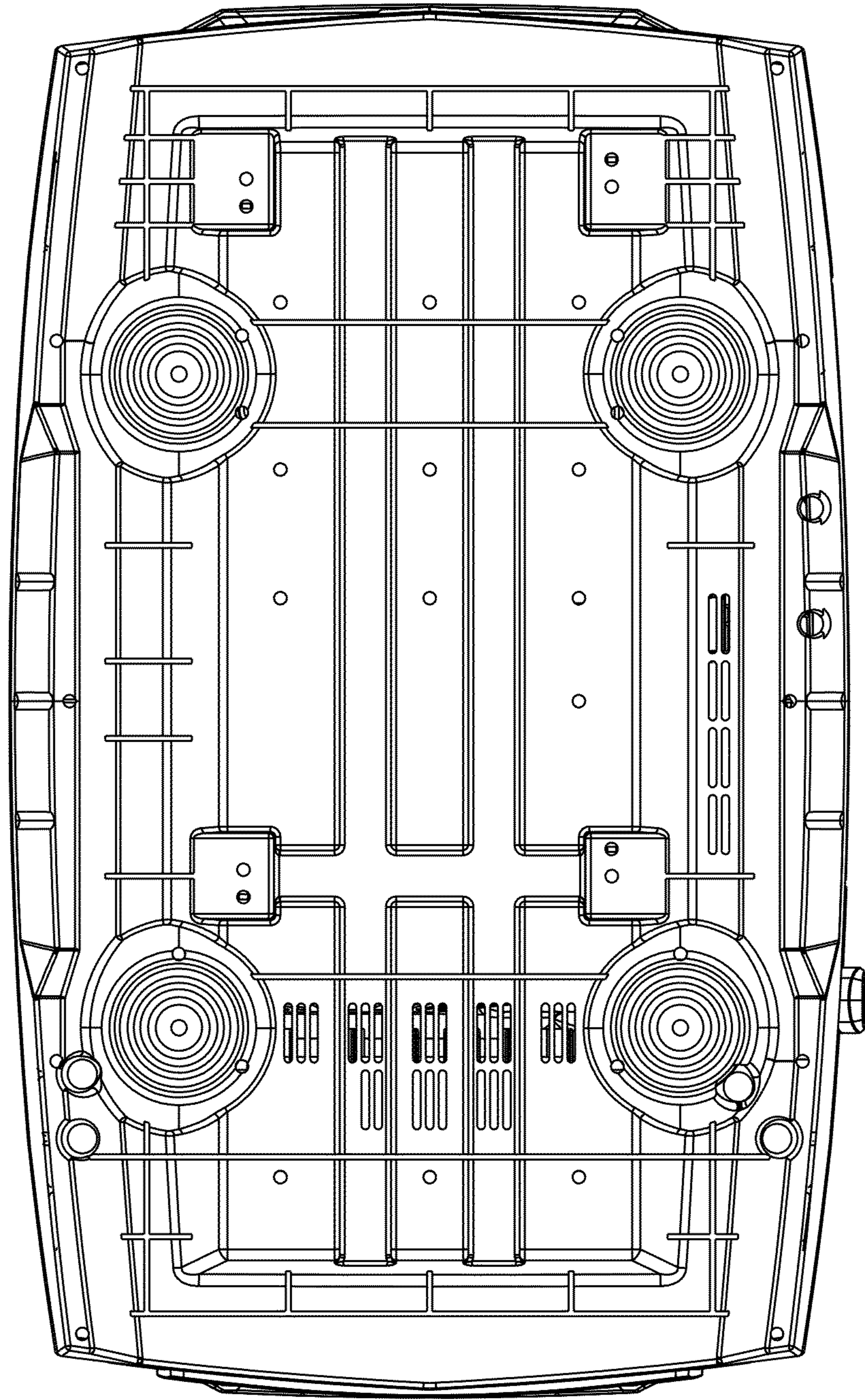


Fig. 8