



US00D711317S

(12) **United States Design Patent**
Zhou

(10) **Patent No.:** **US D711,317 S**

(45) **Date of Patent:** **** Aug. 19, 2014**

(54) **CHARGER**

(71) Applicant: **Chervon (HK) Limited**, Wanchai (HK)

(72) Inventor: **Haibo Zhou**, Nanjing (CN)

(73) Assignee: **Chervon (HK) Limited**, Hong Kong (HK)

(**) Term: **14 Years**

(21) Appl. No.: **29/470,068**

(22) Filed: **Oct. 17, 2013**

(30) **Foreign Application Priority Data**

Apr. 18, 2013 (CN) 2013 3 0119715

(51) **LOC (10) Cl.** **13-02**

(52) **U.S. Cl.**
USPC **D13/108**

(58) **Field of Classification Search**

CPC Y02E 60/12; Y02T 90/14; Y02T 90/122;
Y02T 90/128; Y02T 90/163; H02J 7/025;
H02J 7/0042; H02J 7/0044; H02J 7/0045;
H02J 7/0003; H01F 38/14; H01R 13/6675;
H01M 2/1022; H01M 2/1055; H01M 10/44;
H01M 10/46; H01M 10/425; B60L 11/182
USPC D13/107-110, 118-119, 184, 199;
D14/251, 253, 432, 434; 320/107-115

See application file for complete search history.

(56) **References Cited**

U.S. PATENT DOCUMENTS

D506,436 S *	6/2005	Cheung et al.	D13/107
D506,725 S *	6/2005	Watson	D13/108
D514,507 S *	2/2006	Cheung et al.	D13/107
D533,134 S *	12/2006	Aglassinger	D13/108
D541,214 S *	4/2007	Ino et al.	D13/107
D541,740 S *	5/2007	Tsai et al.	D13/108
D578,473 S *	10/2008	Okuda et al.	D13/107
D610,085 S *	2/2010	Sweeney	D13/107
D662,469 S *	6/2012	Mulder et al.	D13/107
2011/0204848 A1 *	8/2011	Becker et al.	320/110
2012/0098495 A1 *	4/2012	Yang et al.	320/115

* cited by examiner

Primary Examiner — Rosemary K Tarcza

(74) *Attorney, Agent, or Firm* — Greenberg Traurig, LLP

(57) **CLAIM**

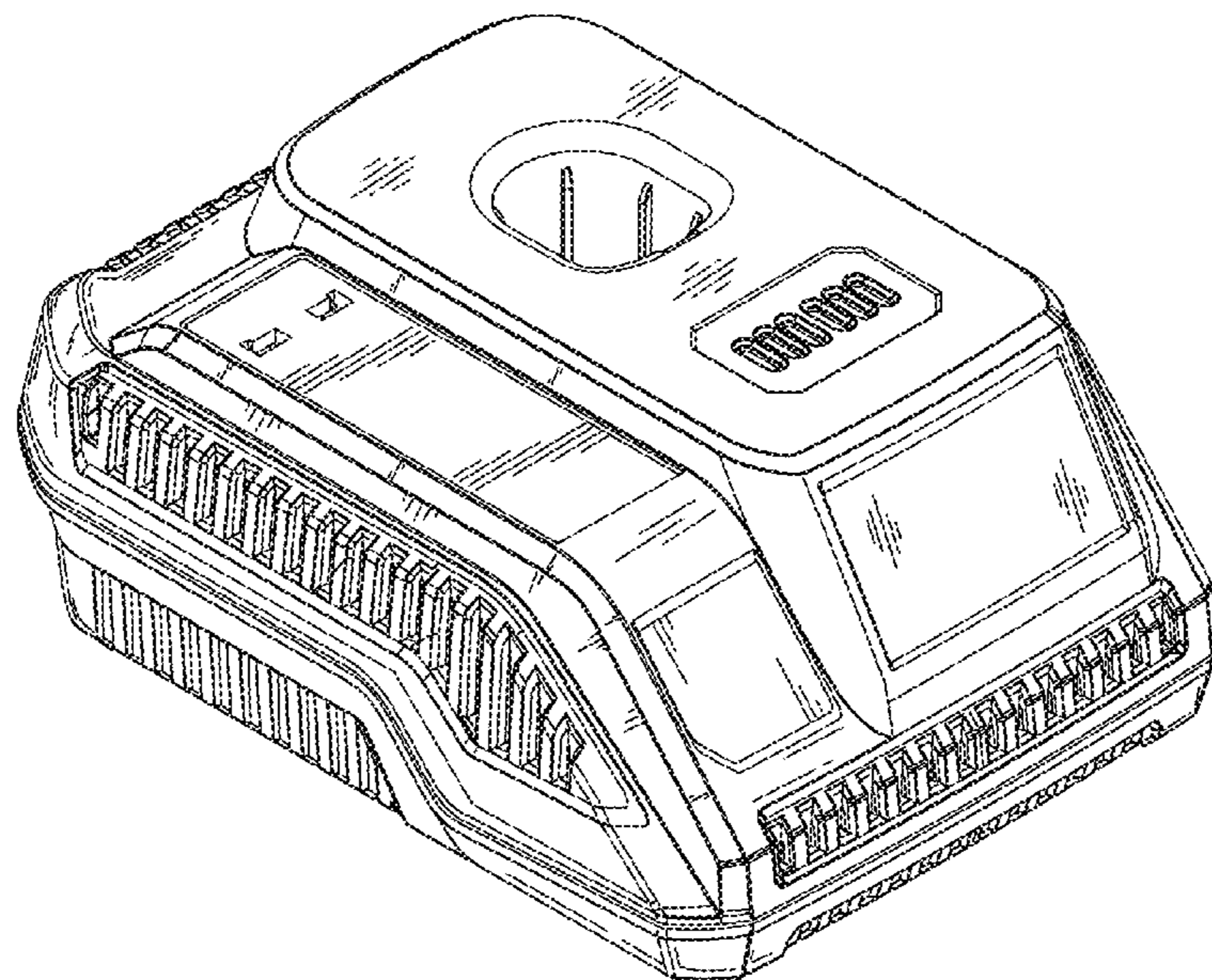
What is claimed is the ornamental design for a charger, as shown and described.

DESCRIPTION

FIG. 1 is a top plan view of a charger showing the new design; FIG. 2 is a bottom plan view thereof; FIG. 3 is a left side elevational view thereof; FIG. 4 is a right side elevational view thereof; FIG. 5 is a rear side elevational view thereof; FIG. 6 is a front side elevational view thereof; and, FIG. 7 is a perspective view thereof.

Any elements shown in dotted and/or dashed lines are provided for illustrative purposes only and form no part of the design claimed. Any surface shading is used solely to show the character or contour of the surfaces represented.

1 Claim, 6 Drawing Sheets



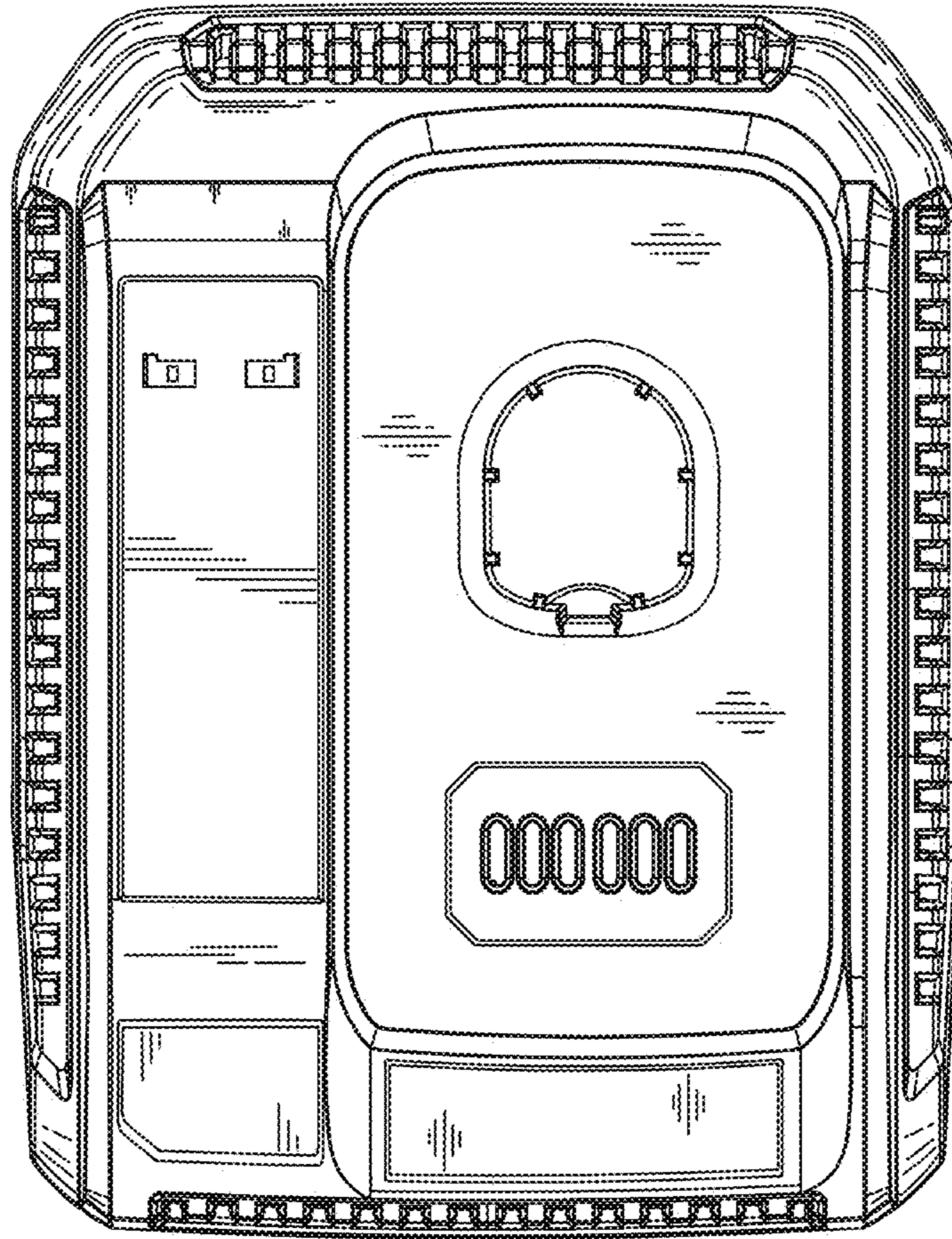


Fig. 1

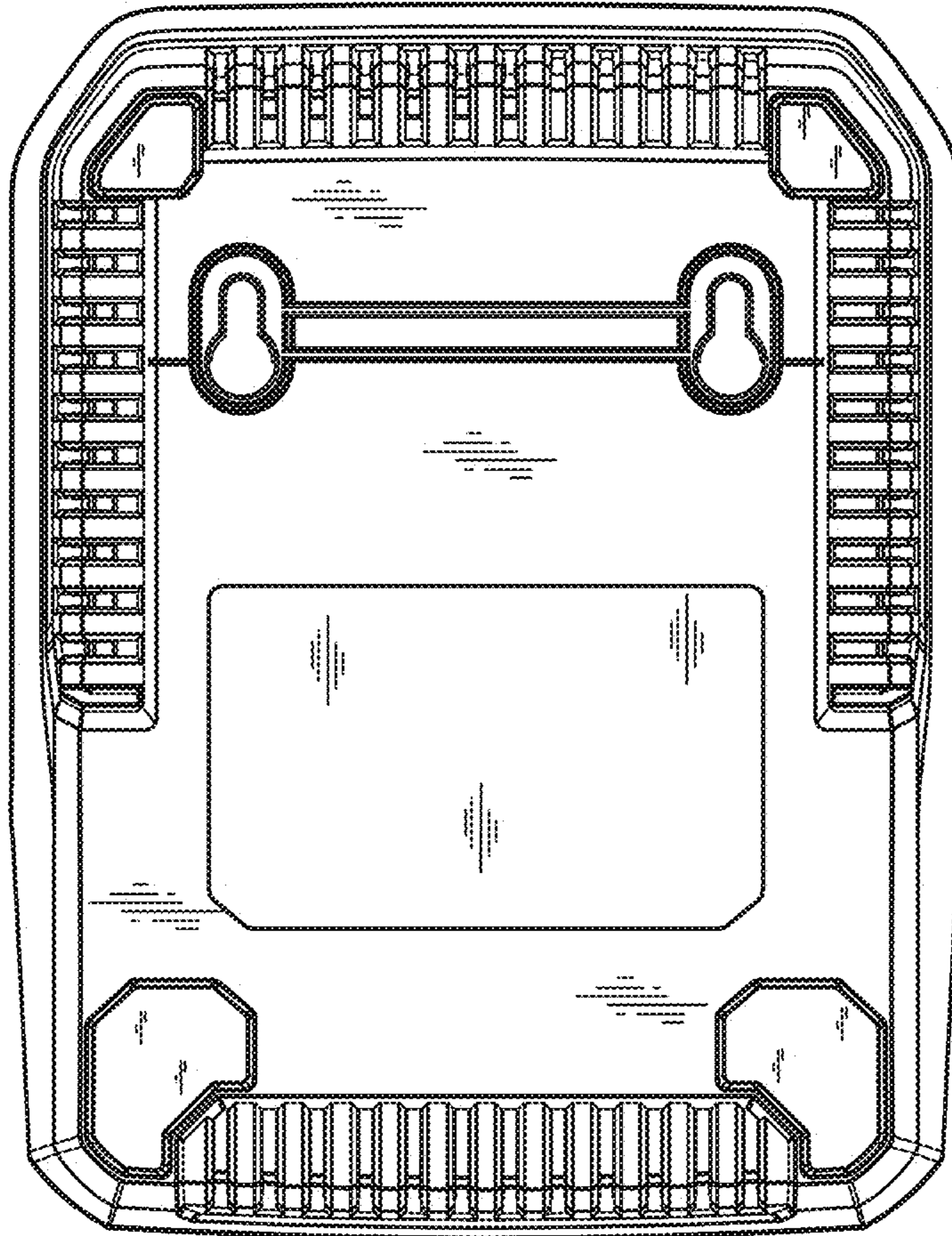


Fig. 2

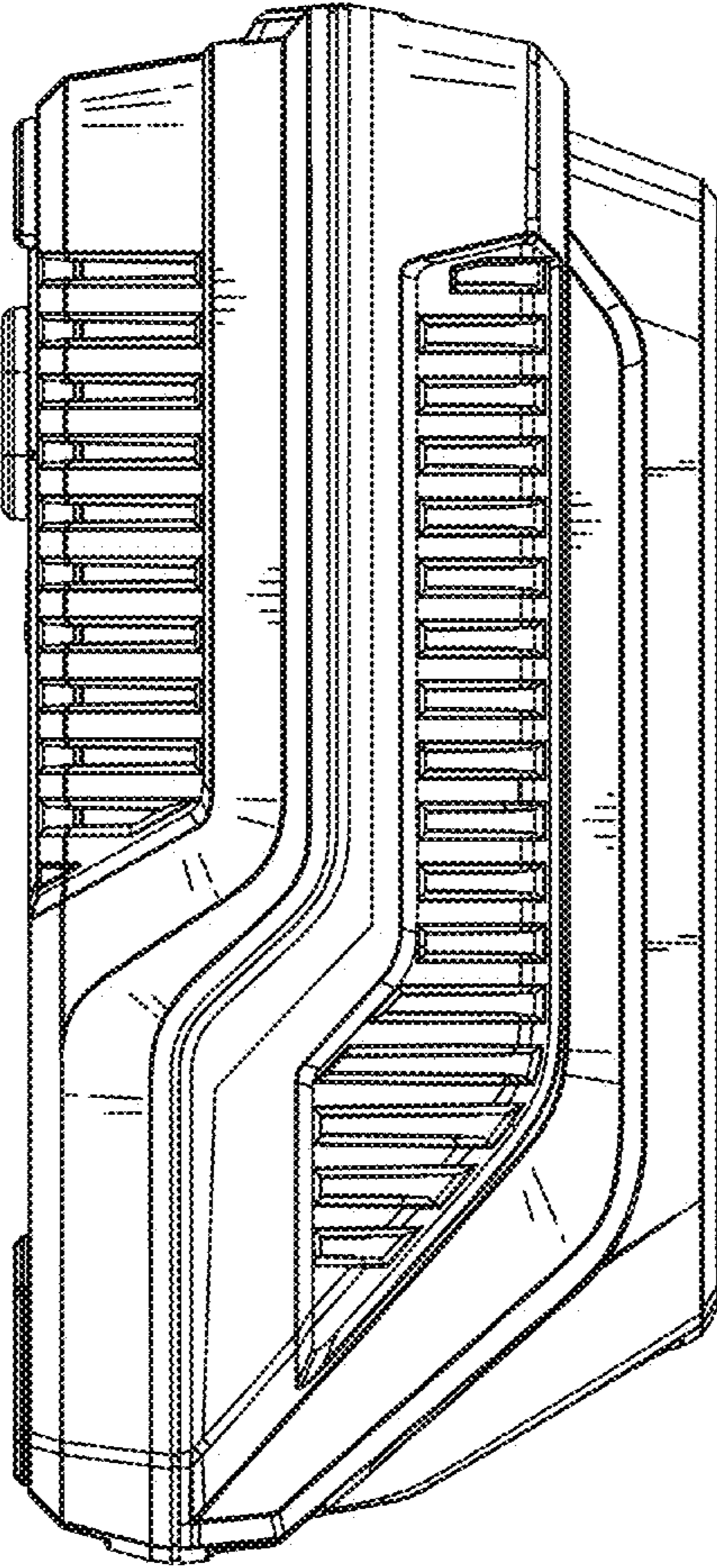


Fig. 3

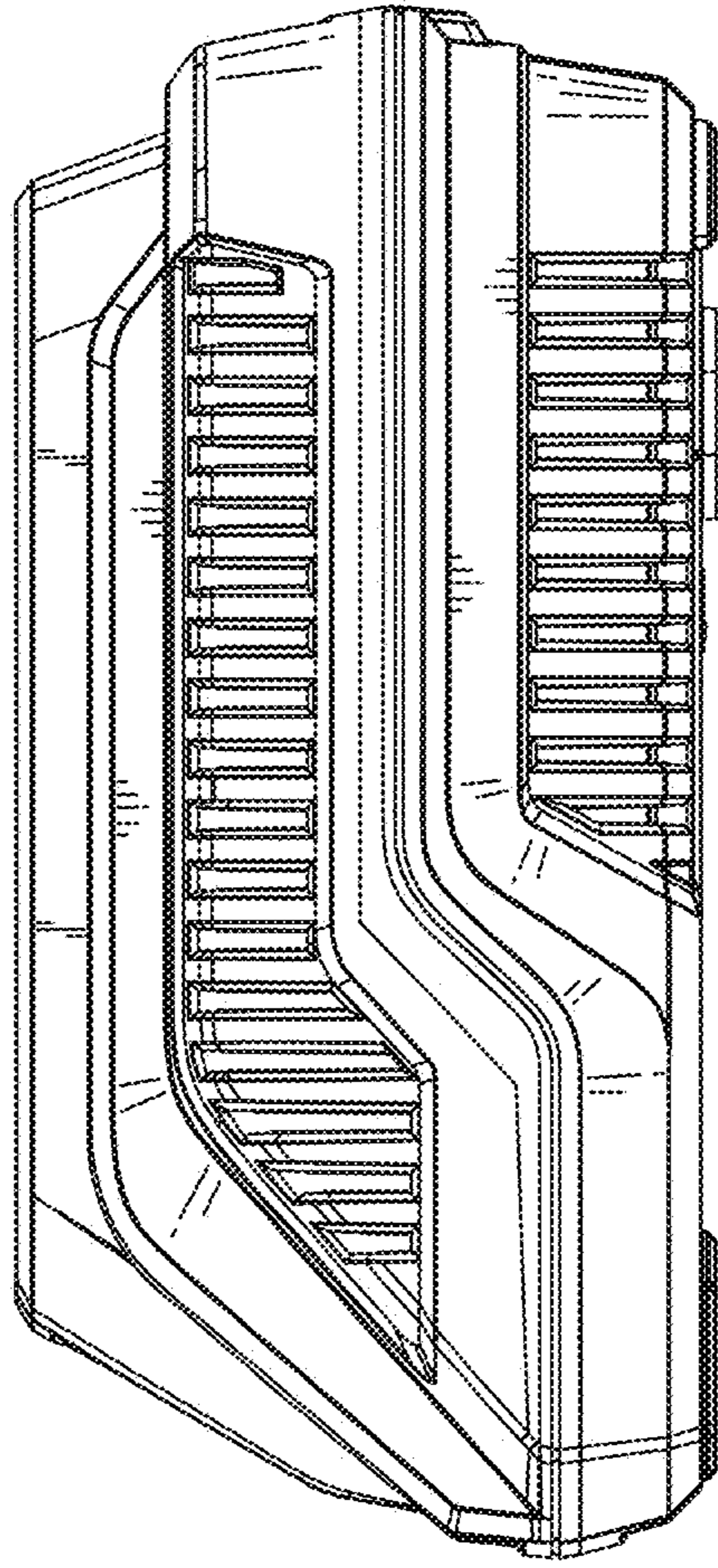


Fig. 4

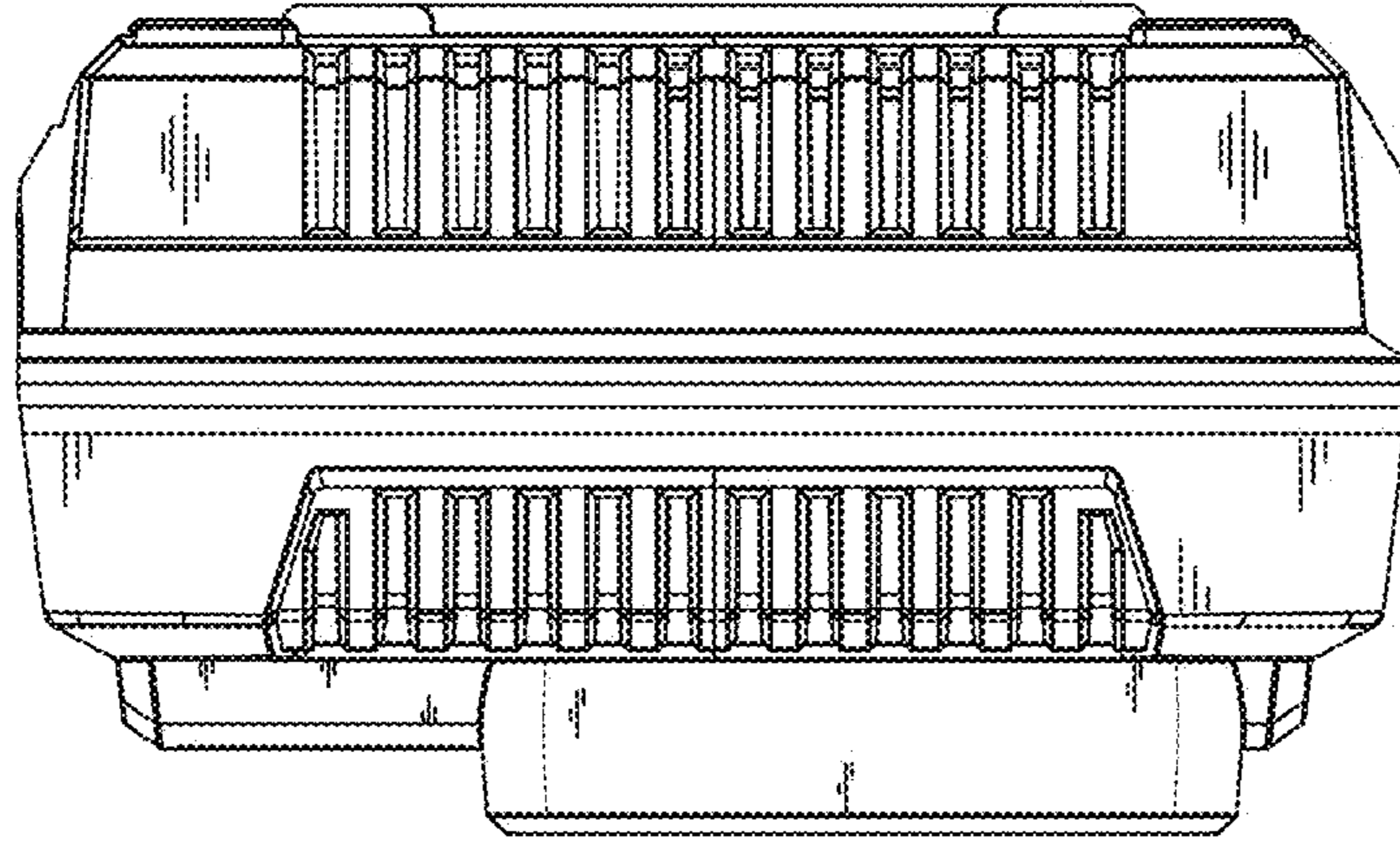


Fig. 5

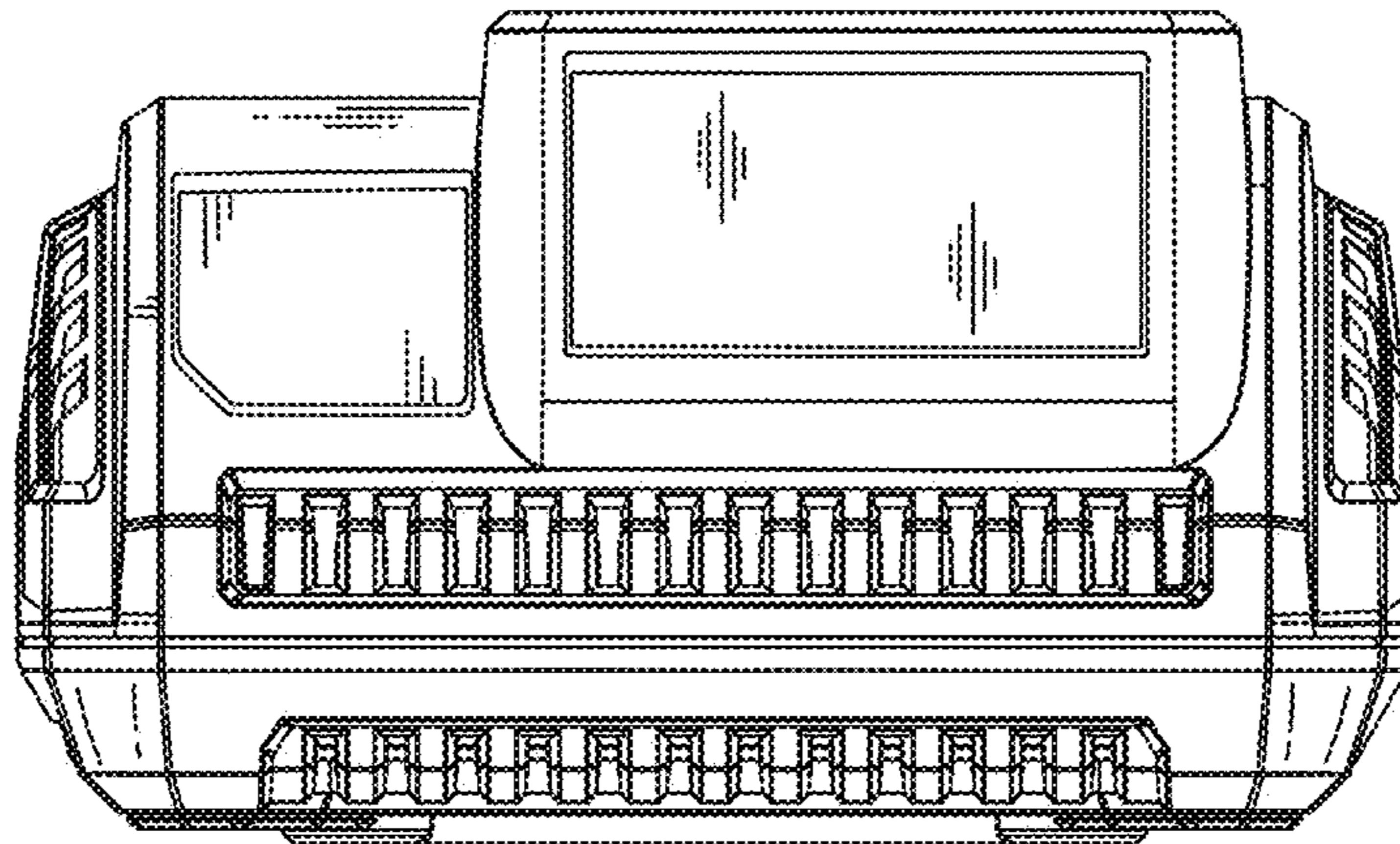


Fig. 6

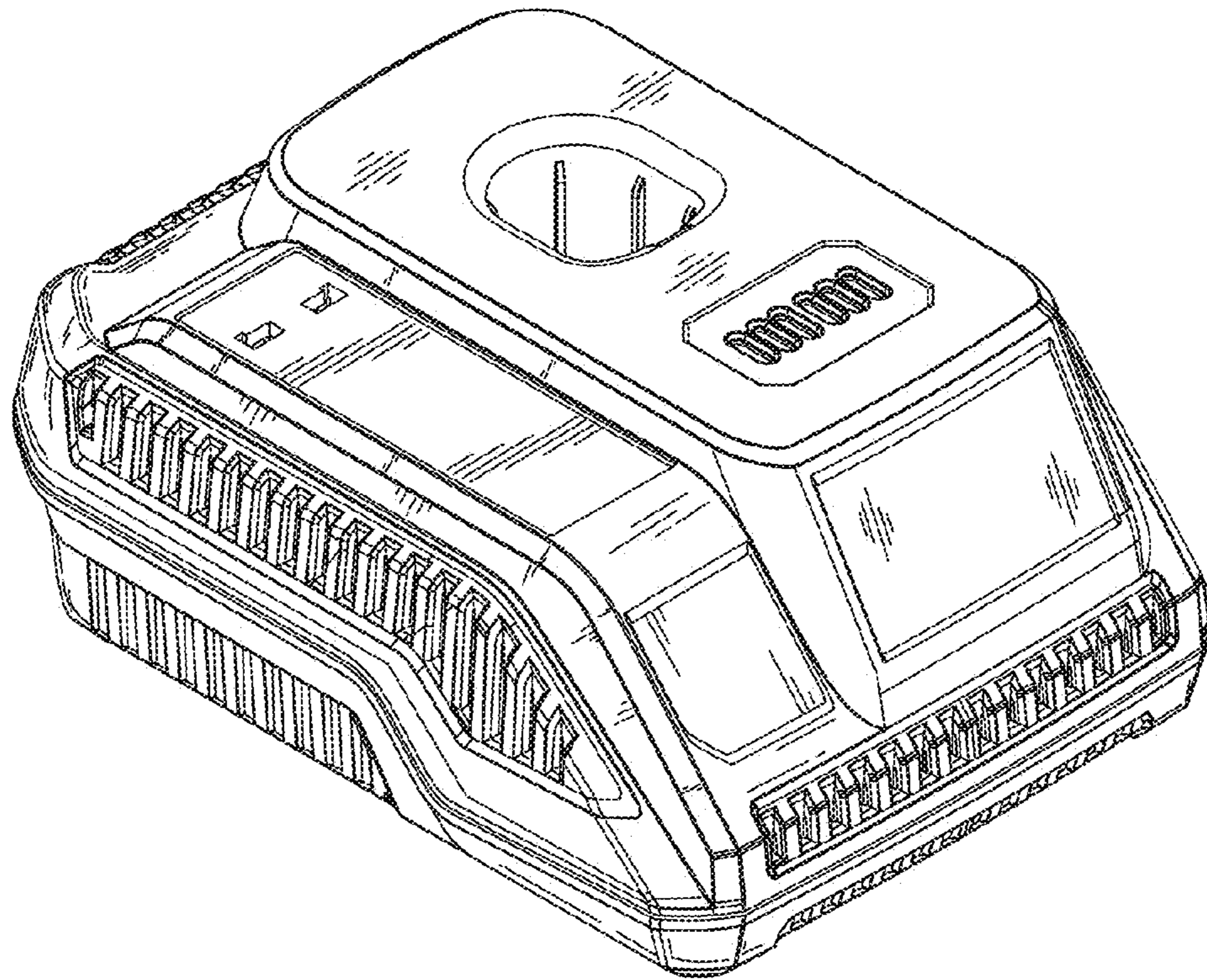


Fig. 7