



US00D711316S

(12) **United States Design Patent**
Ryu et al.

(10) **Patent No.:** **US D711,316 S**
(45) **Date of Patent:** **** Aug. 19, 2014**

(54) **CHARGING HOLDER FOR MOBILE PHONES**

(71) Applicant: **LG Electronics Inc.**, Seoul (KR)

(72) Inventors: **Hyung Gon Ryu**, Seoul (KR); **Young Ho Kim**, Seoul (KR); **Jin Wan Bae**, Seoul (KR)

(73) Assignee: **LG Electronics Inc.**, Seoul (KR)

(**) Term: **14 Years**

(21) Appl. No.: **29/466,181**

(22) Filed: **Sep. 5, 2013**

(30) **Foreign Application Priority Data**

May 13, 2013 (KR) 30-2013-0025126

(51) **LOC (10) Cl.** **13-02**

(52) **U.S. Cl.**
USPC **D13/108**

(58) **Field of Classification Search**

CPC Y02E 60/12; Y02T 90/14; Y02T 90/122;
Y02T 90/128; Y02T 90/163; H02J 7/025;
H02J 7/0042; H02J 7/0044; H02J 7/0045;
H02J 7/0003; H01F 38/14; H01R 13/6675;
H01M 2/1022; H01M 2/1055; H01M 10/44;
H01M 10/46; H01M 10/425; B60L 11/182
USPC D13/107-110, 118-119, 184, 199;
D14/251, 253, 432, 434; 320/107-115
See application file for complete search history.

(56) **References Cited**

U.S. PATENT DOCUMENTS

D351,133 S * 10/1994 Jungels-Butler et al. D13/108

D411,835 S *	7/1999	Mizusugi et al.	D14/434
D477,604 S *	7/2003	Lin	D14/434
D532,366 S *	11/2006	Koizumi	D13/108
D540,802 S *	4/2007	Hussaini et al.	D14/434
D631,008 S *	1/2011	Kuroda et al.	D13/108
D631,009 S *	1/2011	Son et al.	D13/108
D642,123 S *	7/2011	Joung	D13/108
D647,520 S *	10/2011	Wikel	D14/253
D659,092 S *	5/2012	Kawano et al.	D13/108
D666,145 S *	8/2012	Kim et al.	D13/108
D674,392 S *	1/2013	Cheng et al.	D14/434

* cited by examiner

Primary Examiner — Rosemary K Tarcza

(74) *Attorney, Agent, or Firm* — Morgan, Lewis & Bockius LLP

(57) **CLAIM**

We claim the ornamental design for a charging holder for mobile phones, as shown and described.

DESCRIPTION

FIG. 1 is a perspective view of a charging holder for mobile phones showing the new design;
FIG. 2 is a front elevation view thereof;
FIG. 3 is a rear elevation view thereof;
FIG. 4 is a left-side elevation view thereof;
FIG. 5 is a right-side elevation view thereof;
FIG. 6 is a top plan view thereof;
FIG. 7 is a bottom plan view thereof; and,
FIG. 8 is a perspective view showing the state of use.
The broken lines shown in the drawings are included for the purpose of illustrating environmental structure and form no part of the claimed design.

1 Claim, 5 Drawing Sheets

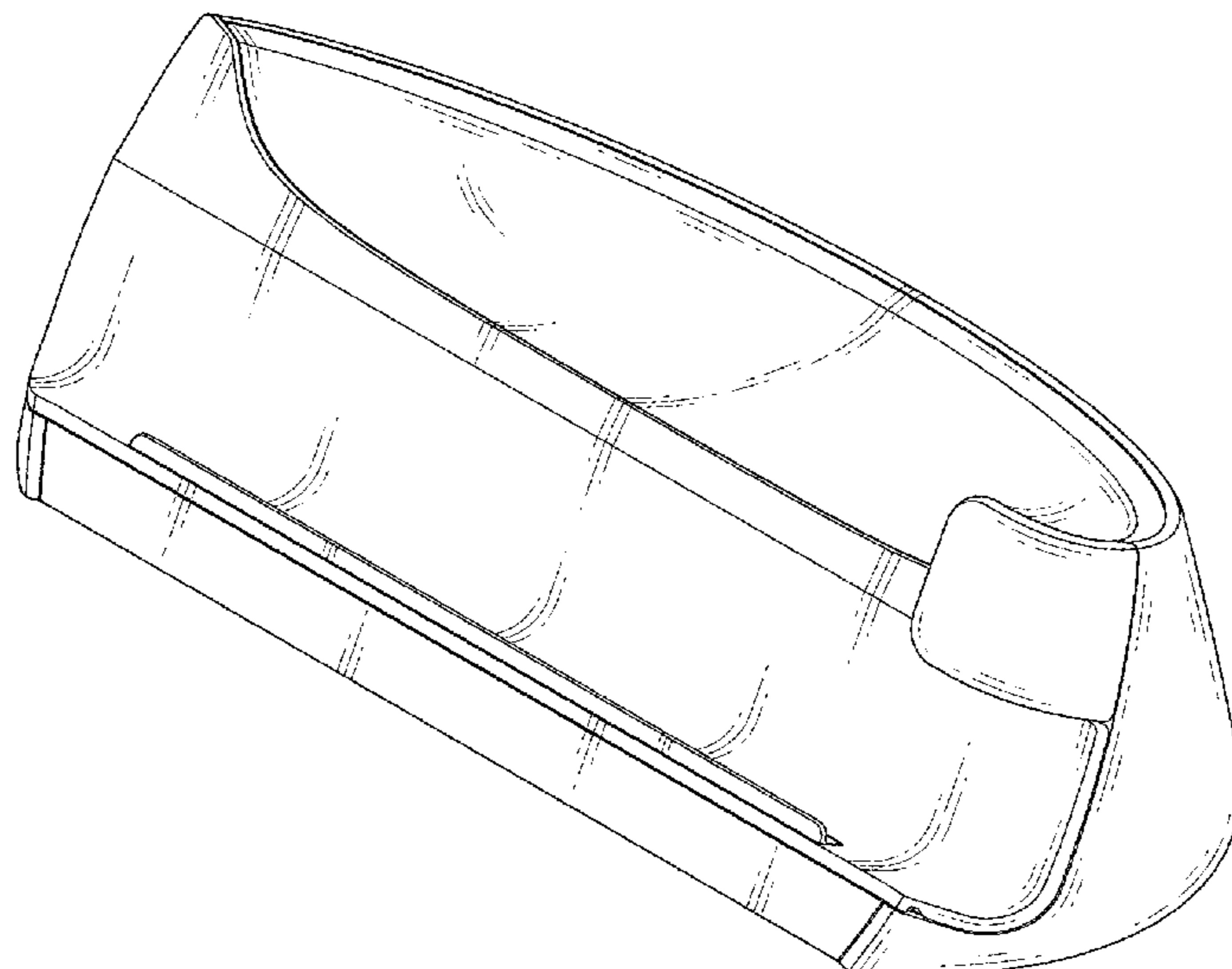


FIG. 1

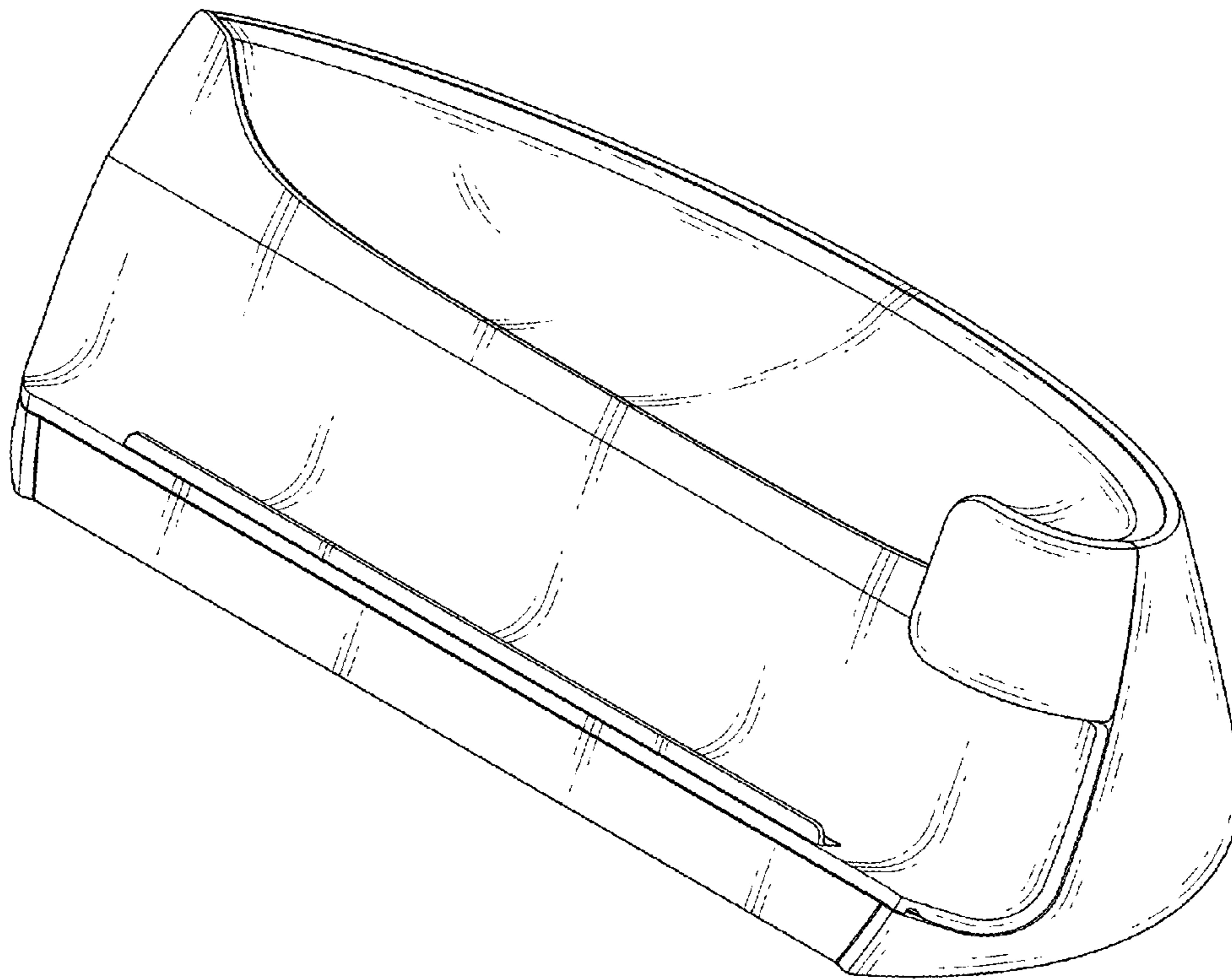


FIG. 2

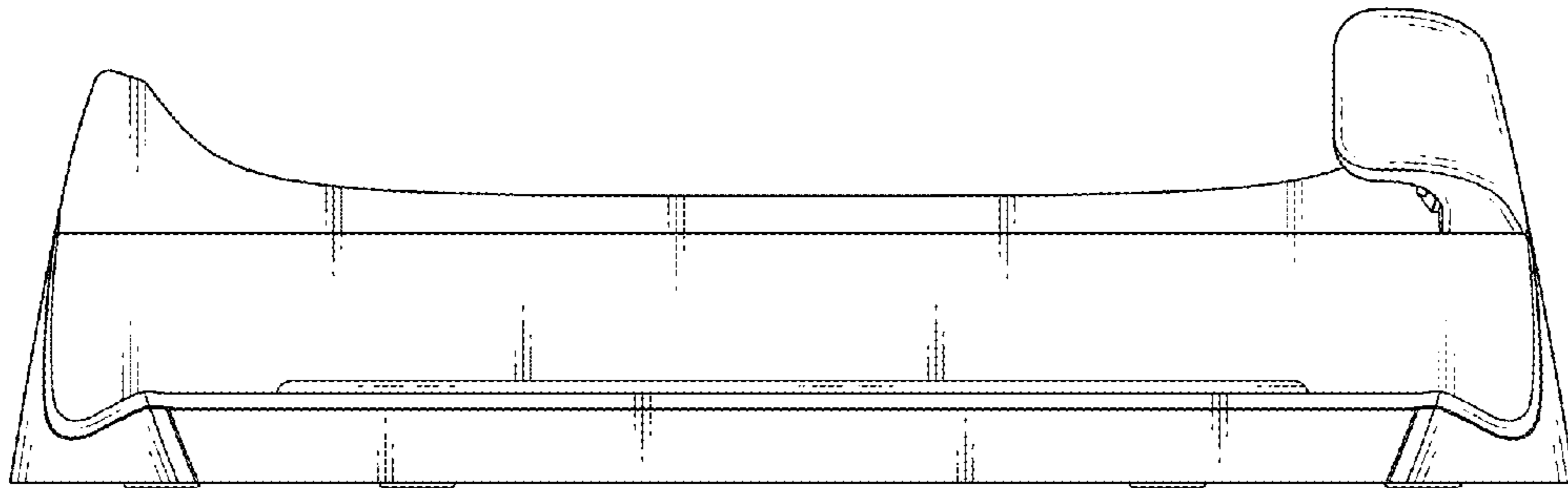


FIG. 3

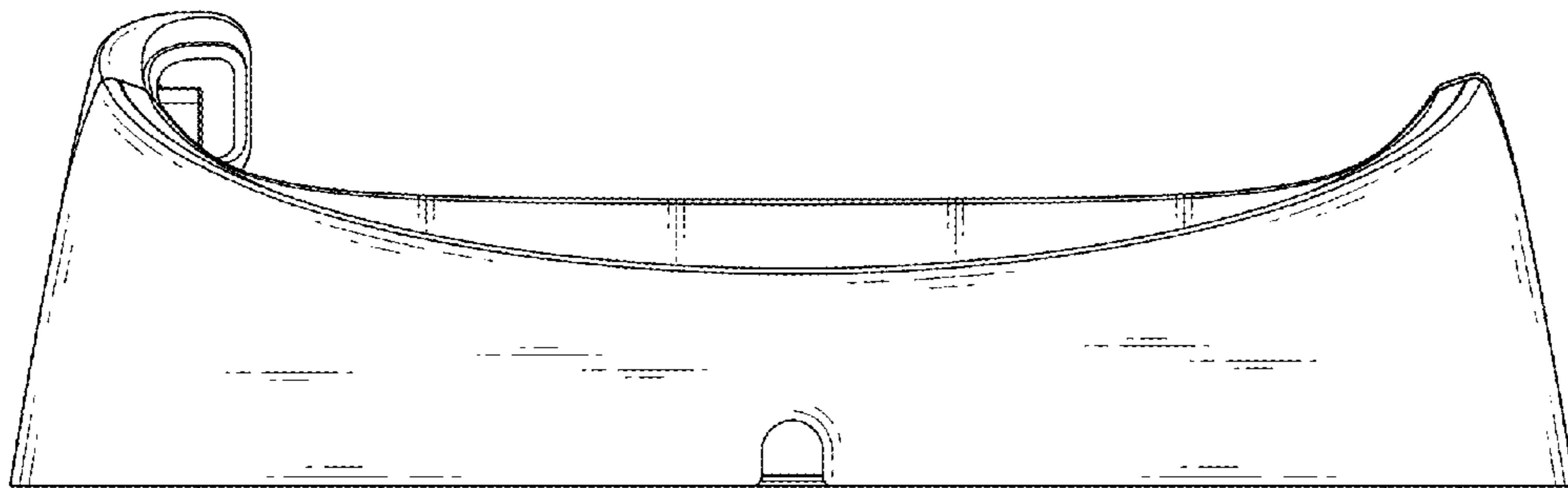


FIG. 4

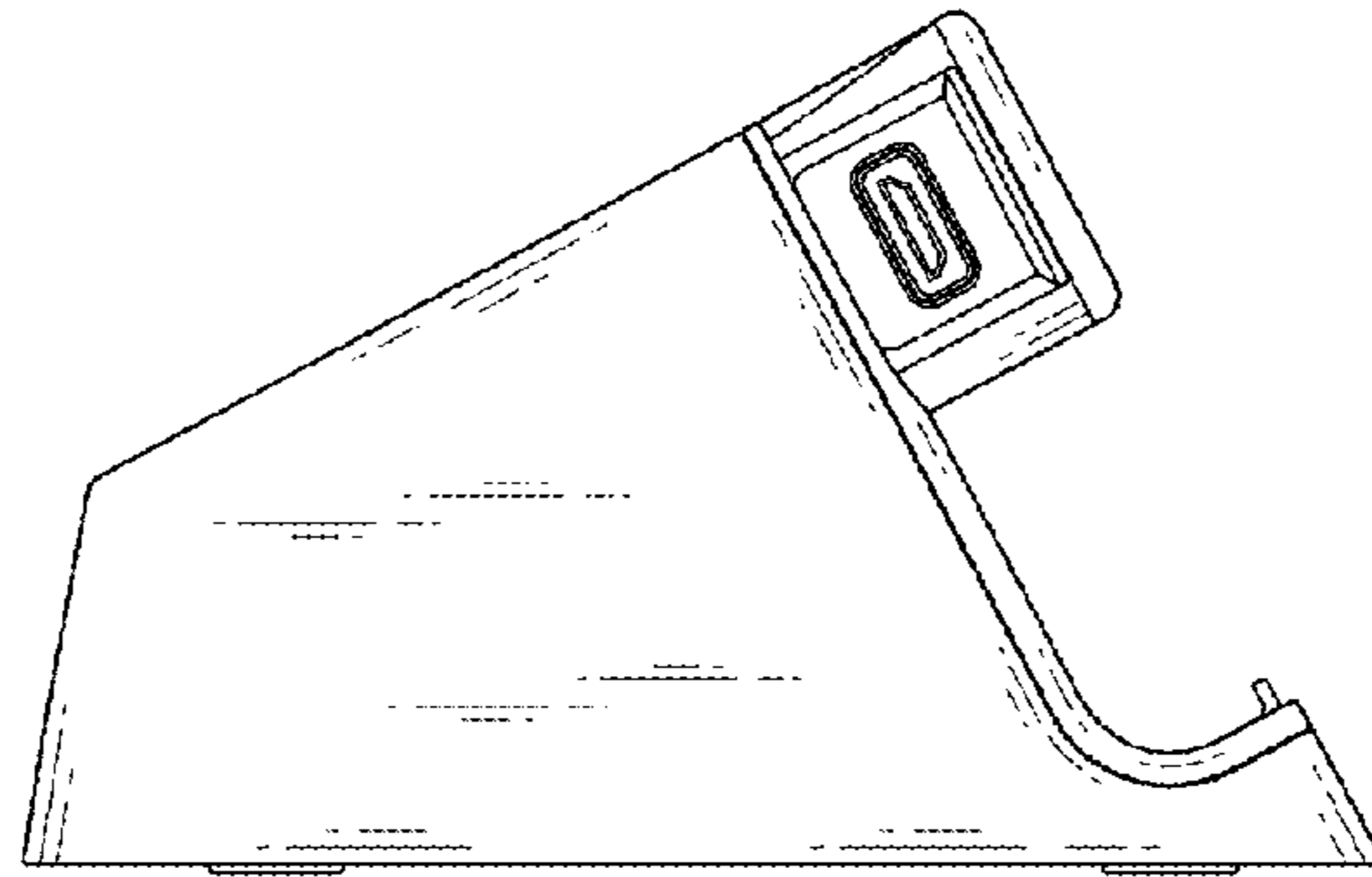


FIG. 5

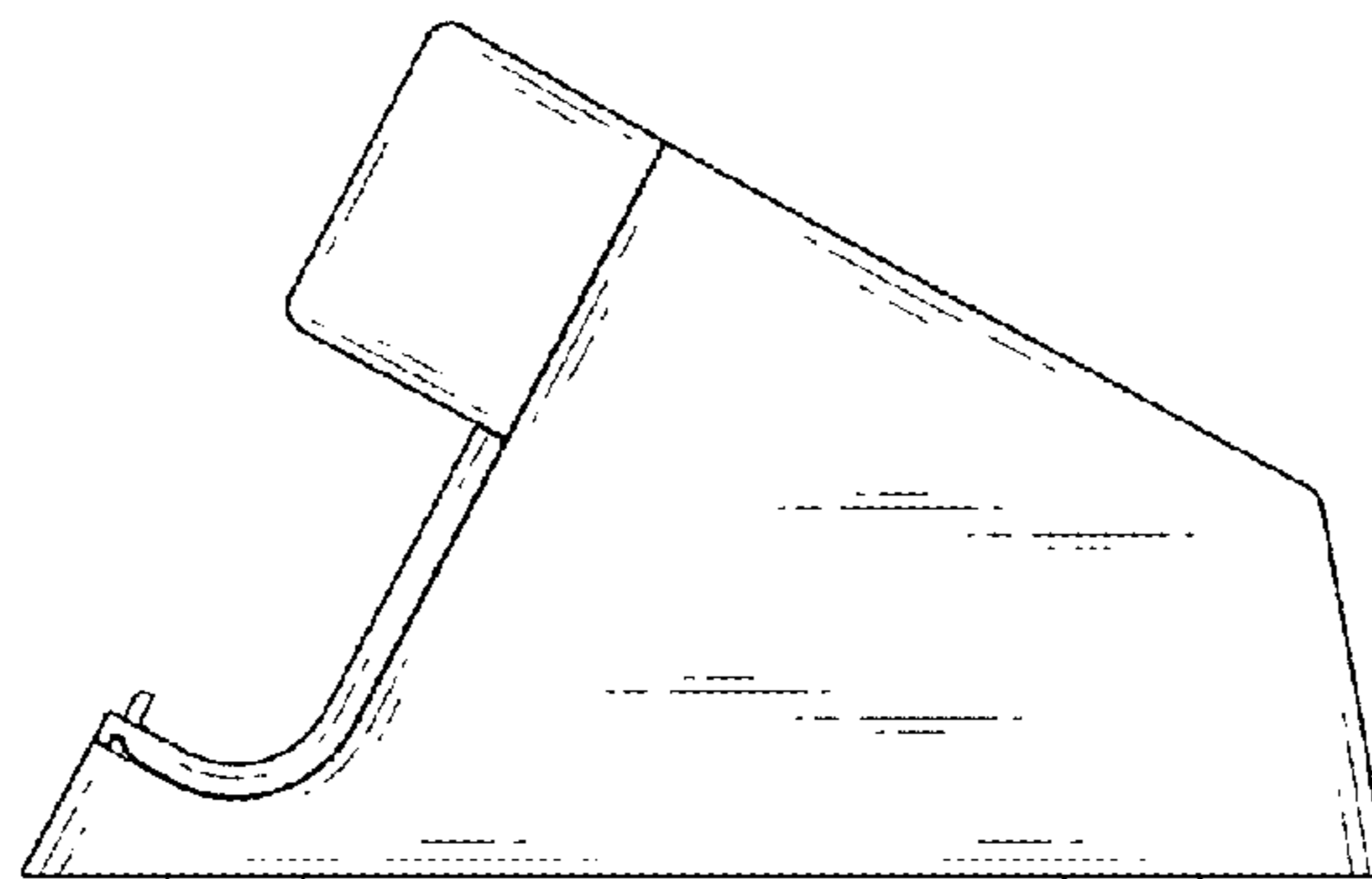


FIG. 6

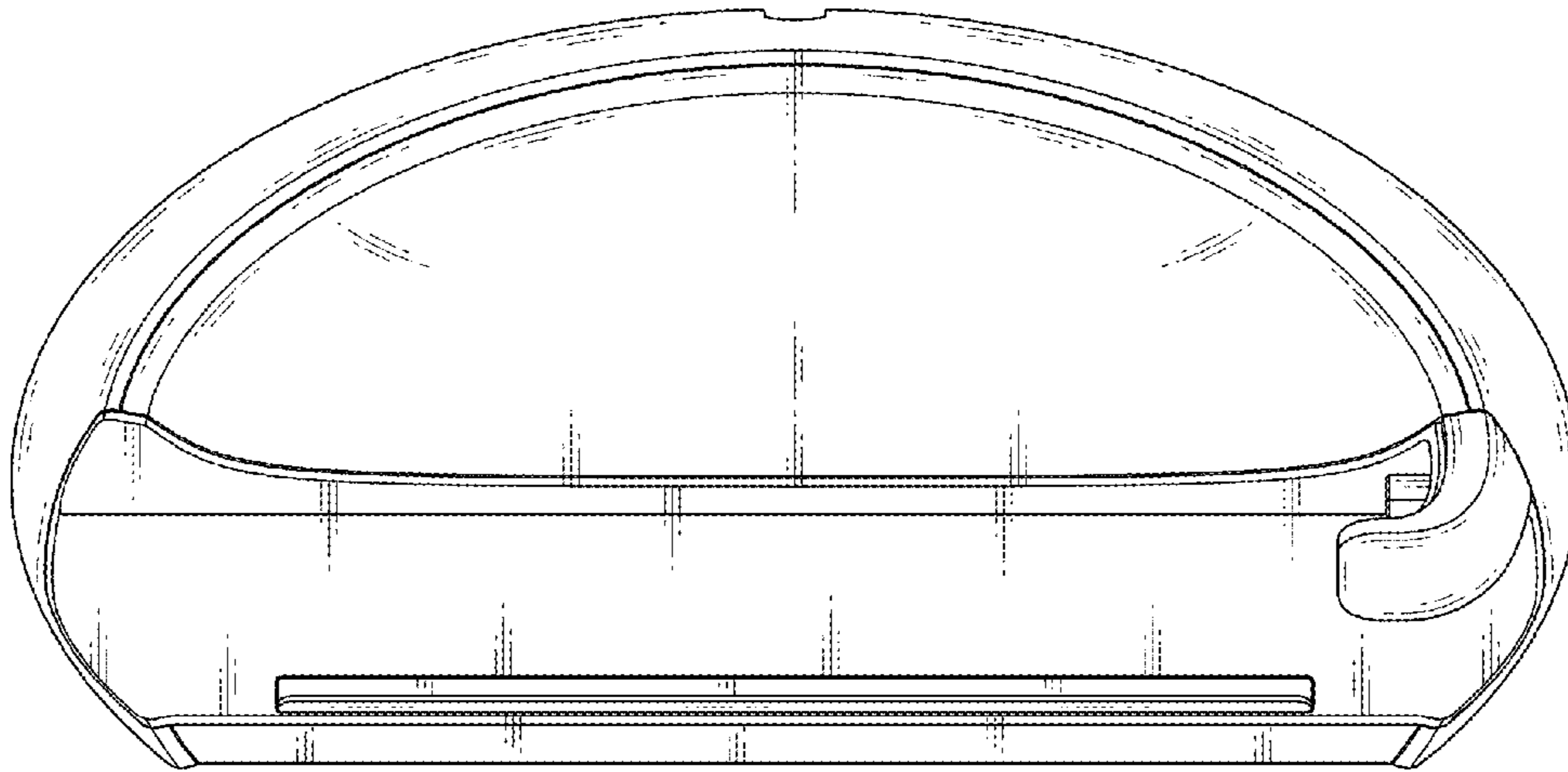


FIG. 7

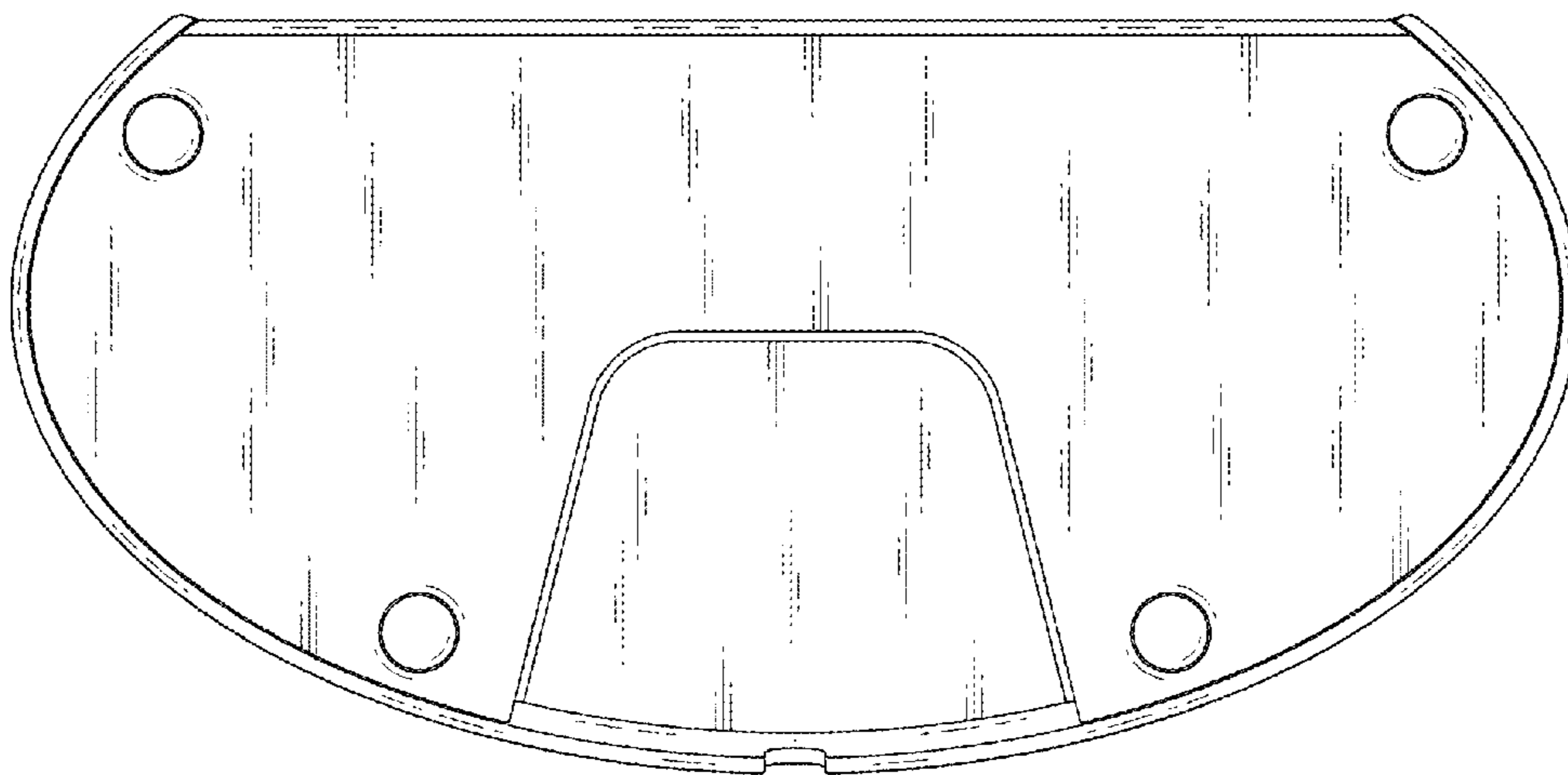


FIG. 8

