



US00D711314S

(12) **United States Design Patent**
Marino et al.

(10) **Patent No.:** **US D711,314 S**

(45) **Date of Patent:** **** Aug. 19, 2014**

(54) **CHARGER**

(71) Applicant: **Techtronic Outdoor Products Technology Limited**, Hamilton (BM)

(72) Inventors: **Ryan Joseph Marino**, Clemson, SC (US); **David Wiseman**, Anderson, SC (US); **Stuart Miler**, Anderson, SC (US); **Matthew Stephen Jennings**, Sumter, SC (US); **Matthew Corbin**, Anderson, SC (US); **Sean Campbell**, Anderson, SC (US); **C. Keith Long**, Seneca, SC (US); **Robert Andrew Patrick**, Simpsonville, SC (US)

(73) Assignee: **Techtronic Outdoor Products Technology Limited**, Hamilton (BM)

(**) Term: **14 Years**

(21) Appl. No.: **29/476,480**

(22) Filed: **Dec. 13, 2013**

(51) **LOC (10) Cl.** **13-02**

(52) **U.S. Cl.**
USPC **D13/107**

(58) **Field of Classification Search**
CPC Y02E 60/12; Y02T 90/14; Y02T 90/122; Y02T 90/128; Y02T 90/163; H02J 7/025; H02J 7/0042; H02J 7/0044; H02J 7/0045; H02J 7/0003; H01F 38/14; H01R 13/6675; H01M 2/1022; H01M 2/1055; H01M 10/44; H01M 10/46; H01M 10/425; B60L 11/182
USPC D13/107-110, 118-119, 184, 199; D14/251, 253, 432, 434; 320/107-115
See application file for complete search history.

(56) **References Cited**

U.S. PATENT DOCUMENTS

D505,913	S	*	6/2005	Kam Lun et al.	D13/107
D507,525	S	*	7/2005	Heun	D13/107
D522,964	S	*	6/2006	Watson	D13/108
D548,687	S	*	8/2007	Okuda et al.	D13/107
D605,111	S	*	12/2009	Schoch	D13/107
D610,085	S	*	2/2010	Sweeney	D13/107
D635,917	S	*	4/2011	Okuda	D13/107
D636,723	S	*	4/2011	Yamamoto et al.	D13/107
D642,518	S	*	8/2011	Kokawa	D13/107
D668,219	S	*	10/2012	Zhao et al.	D13/107
D692,895	S	*	11/2013	Iwata et al.	D14/434
2013/0113427	A1	*	5/2013	Noda et al.	320/112

* cited by examiner

Primary Examiner — Rosemary K Tarcza

(74) *Attorney, Agent, or Firm* — Michael Best & Friedrich LLP

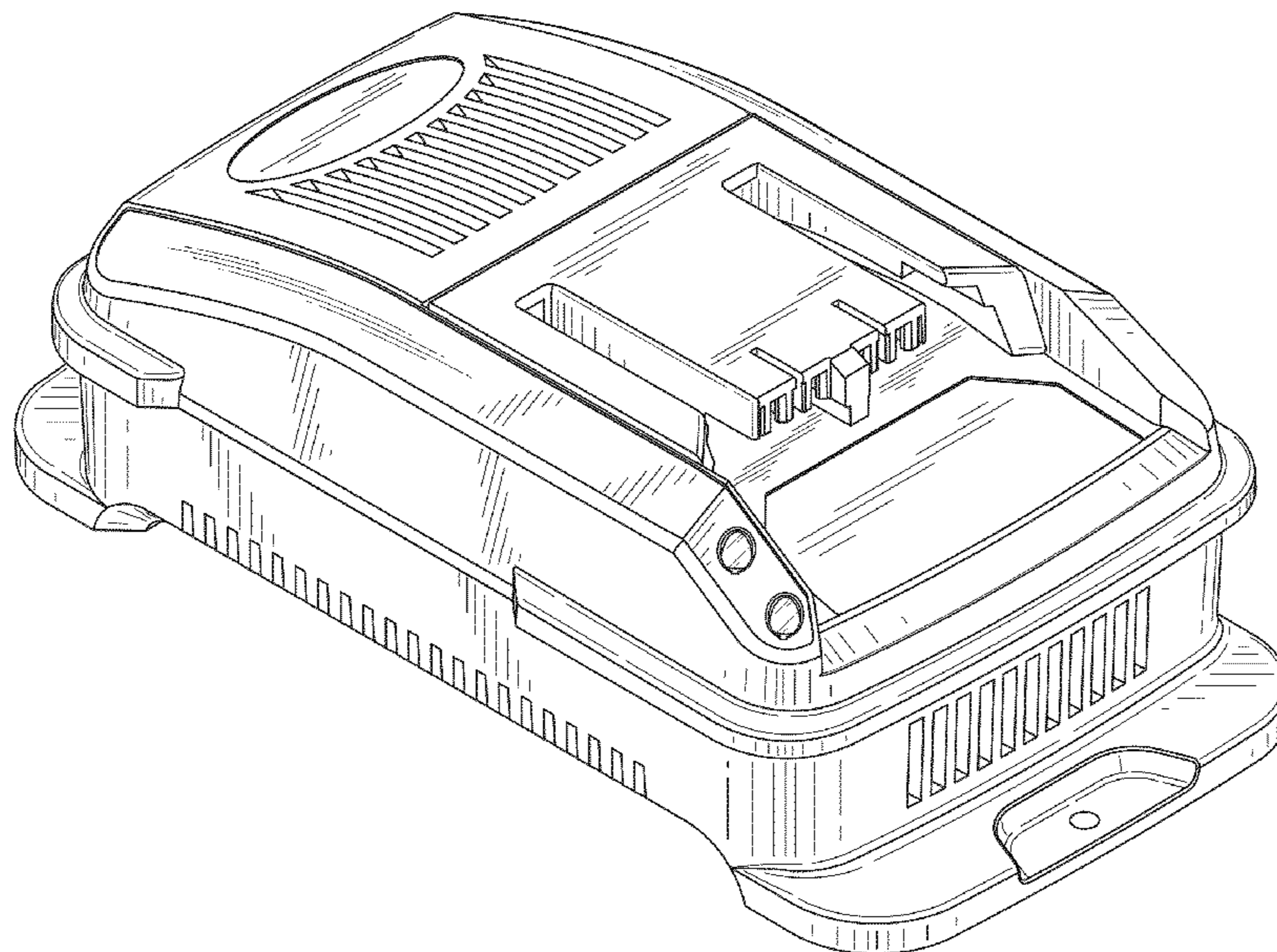
(57) **CLAIM**

We claim the ornamental design for a charger, as shown and described.

DESCRIPTION

FIG. 1 is a perspective view of a charger according to one embodiment of the invention.
FIG. 2 is a first side view of the charger of FIG. 1.
FIG. 3 is a second side view of the charger of FIG. 1.
FIG. 4 is a front view of the charger of FIG. 1.
FIG. 5 is a rear view of the charger of FIG. 1.
FIG. 6 is a top view of the charger of FIG. 1.
FIG. 7 is a bottom view of the charger of FIG. 1; and,
FIG. 8 is another perspective view of the charger of FIG. 1.
Any portions of the charger shown in broken lines are included for the purpose of illustrating environment and form no part of the claimed design.

1 Claim, 6 Drawing Sheets



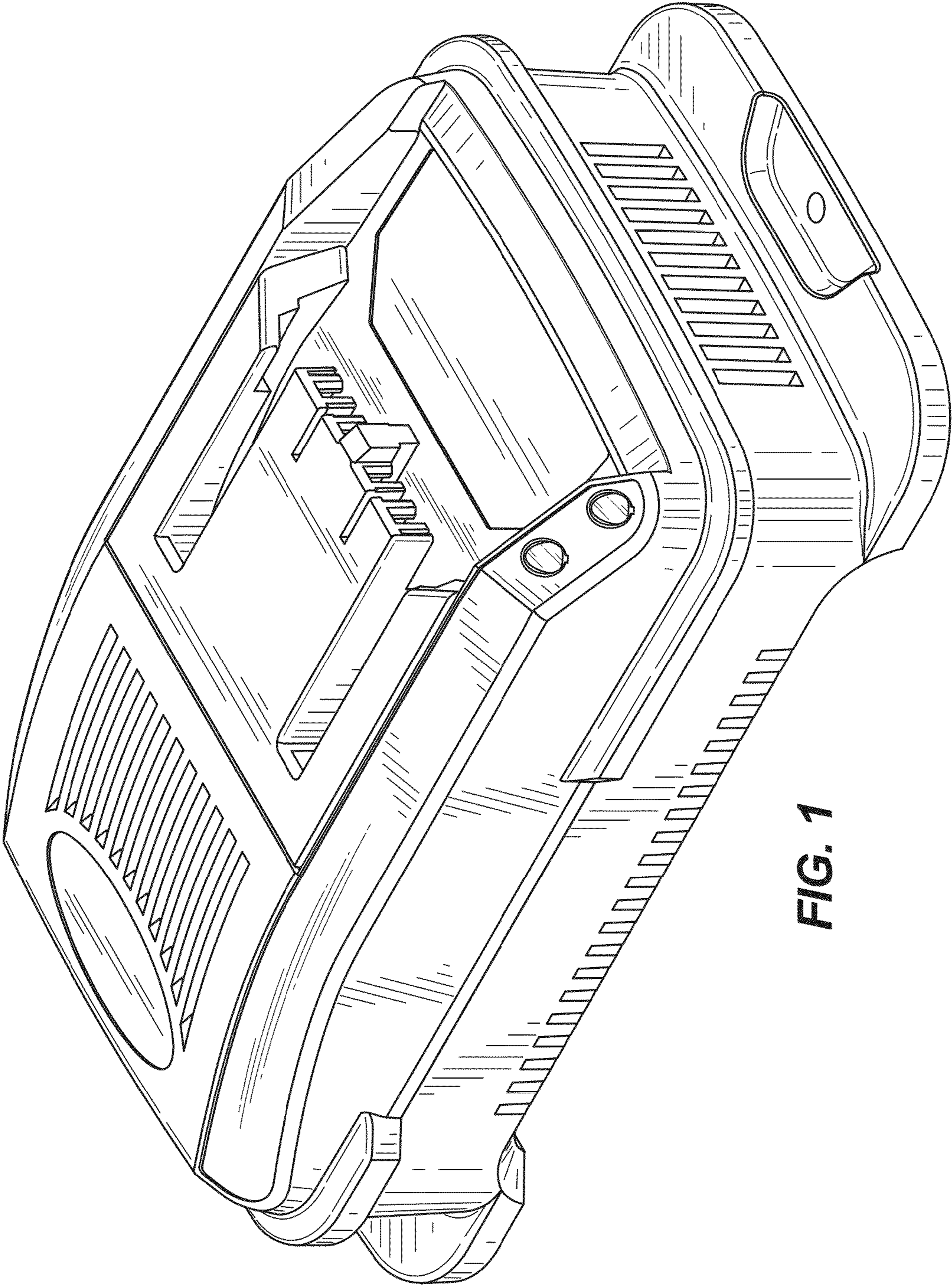


FIG. 1

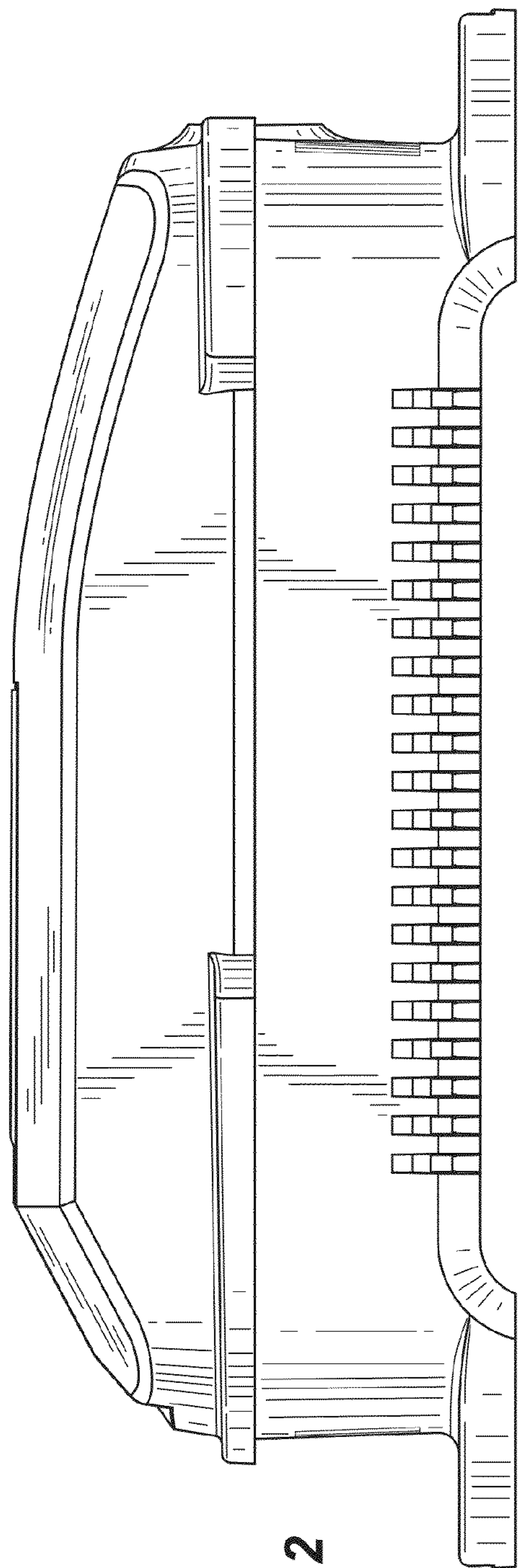


FIG. 2

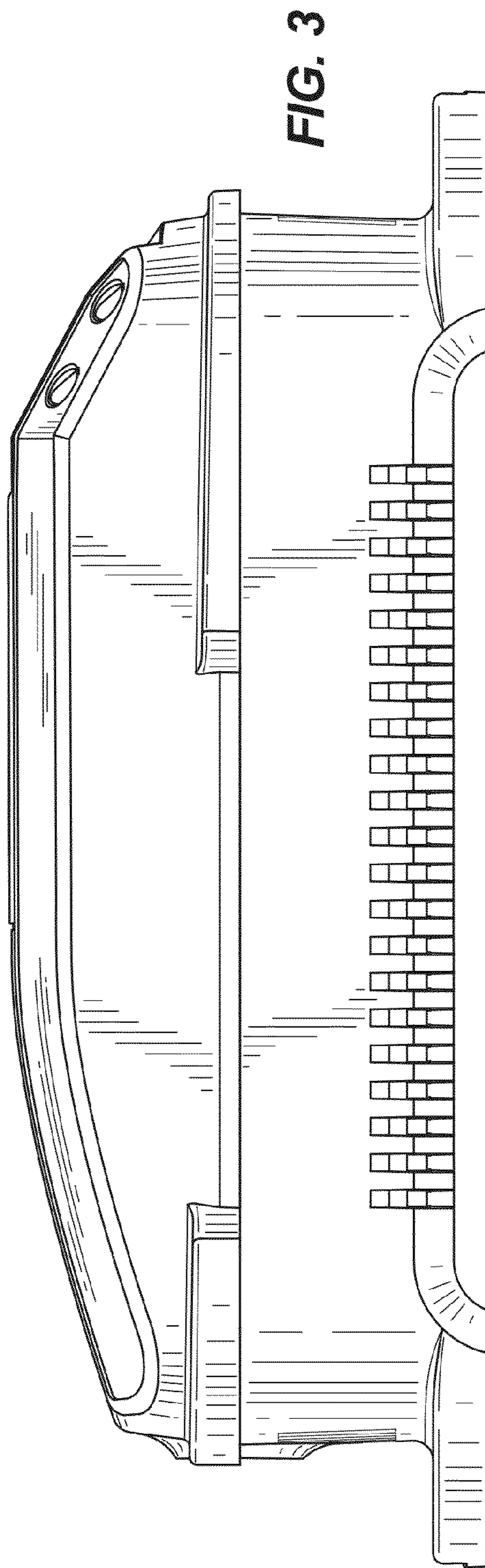


FIG. 3

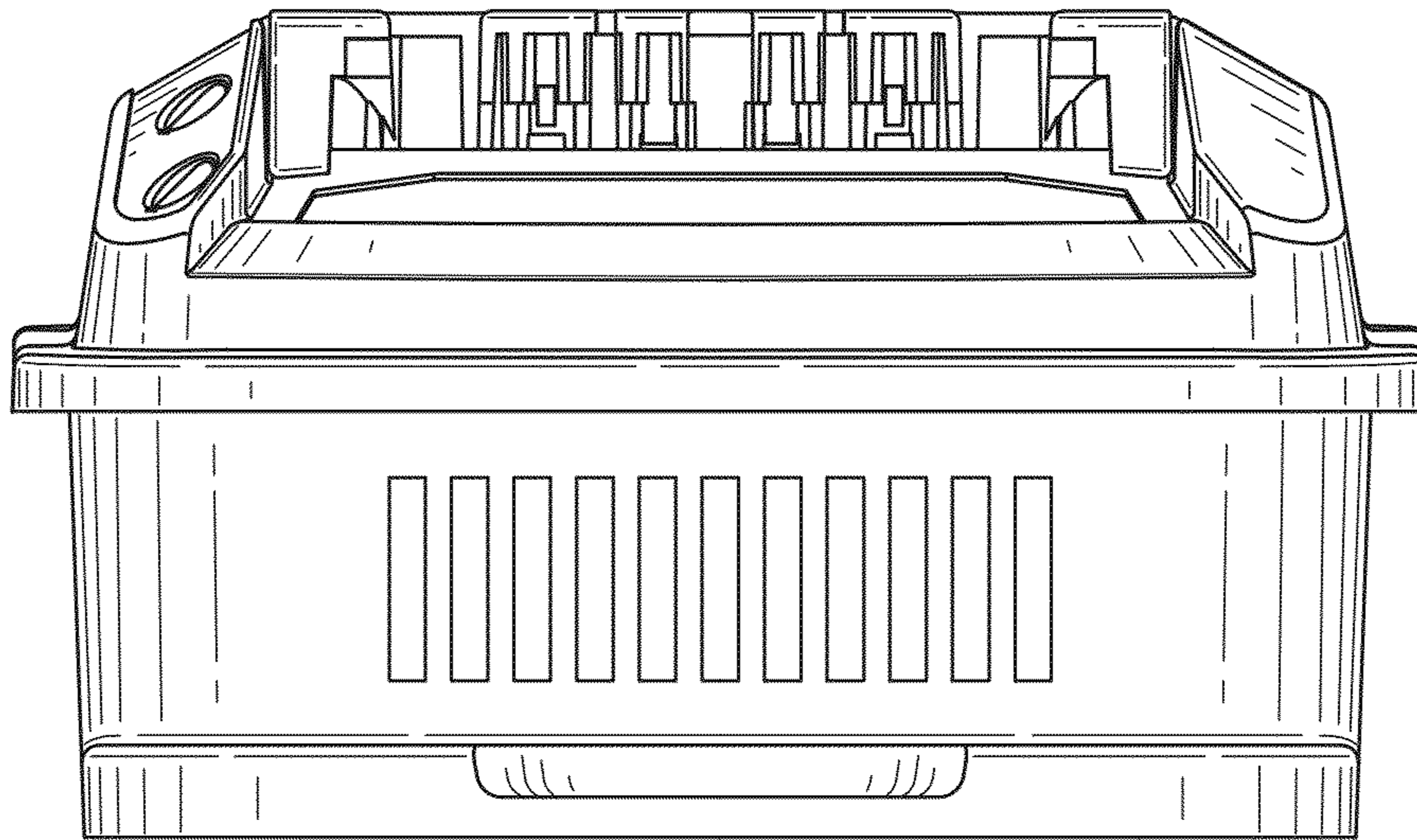


FIG. 4

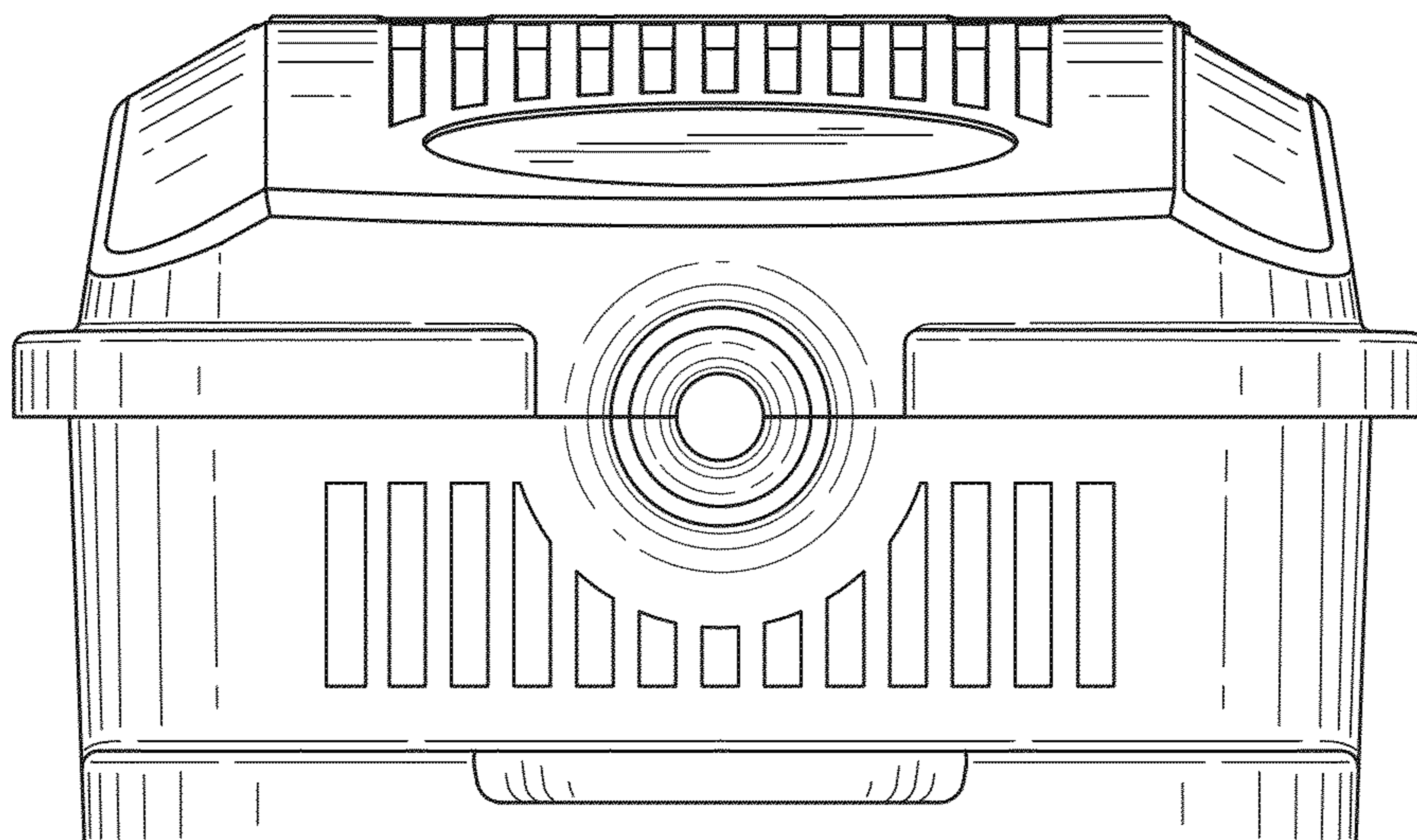


FIG. 5

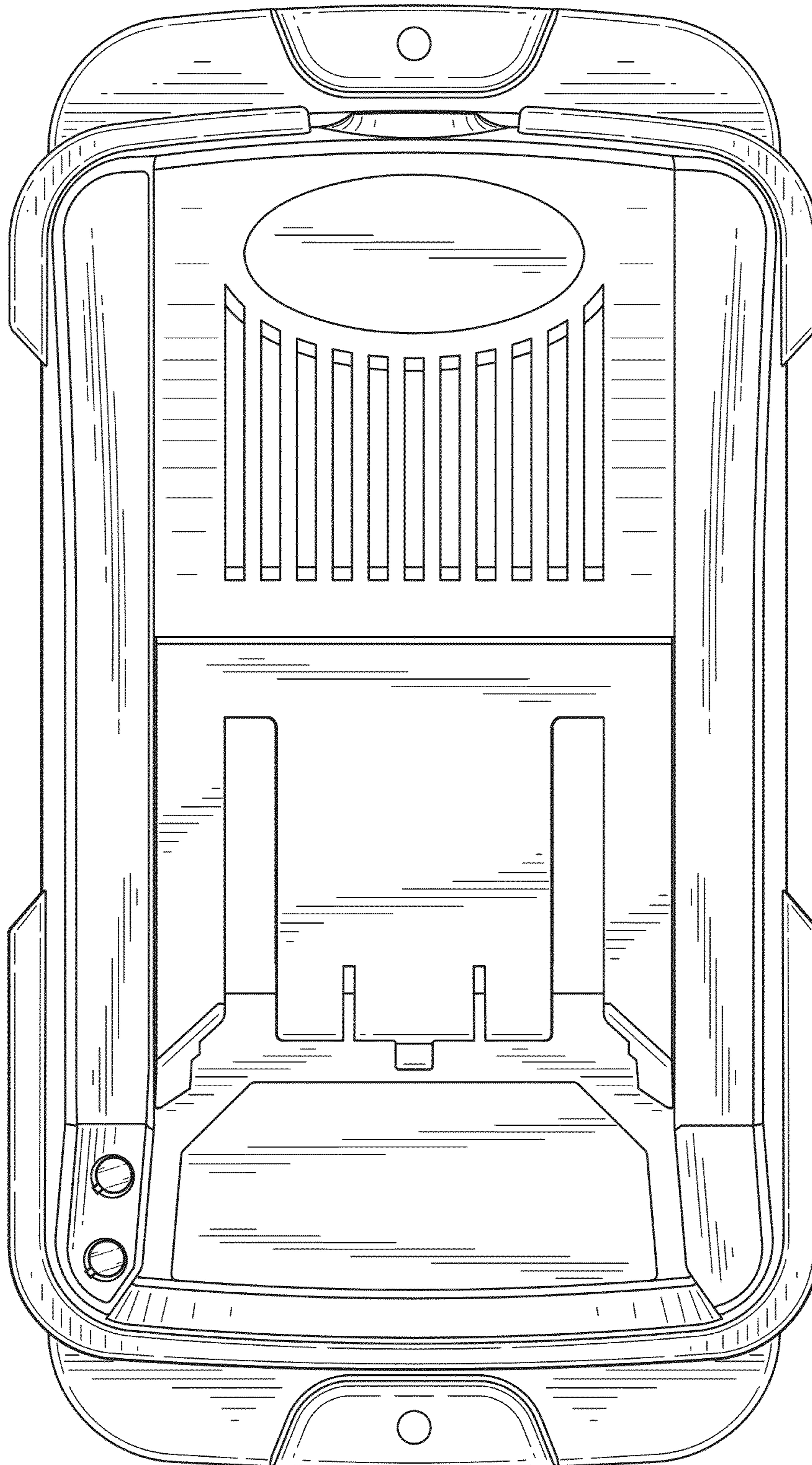


FIG. 6

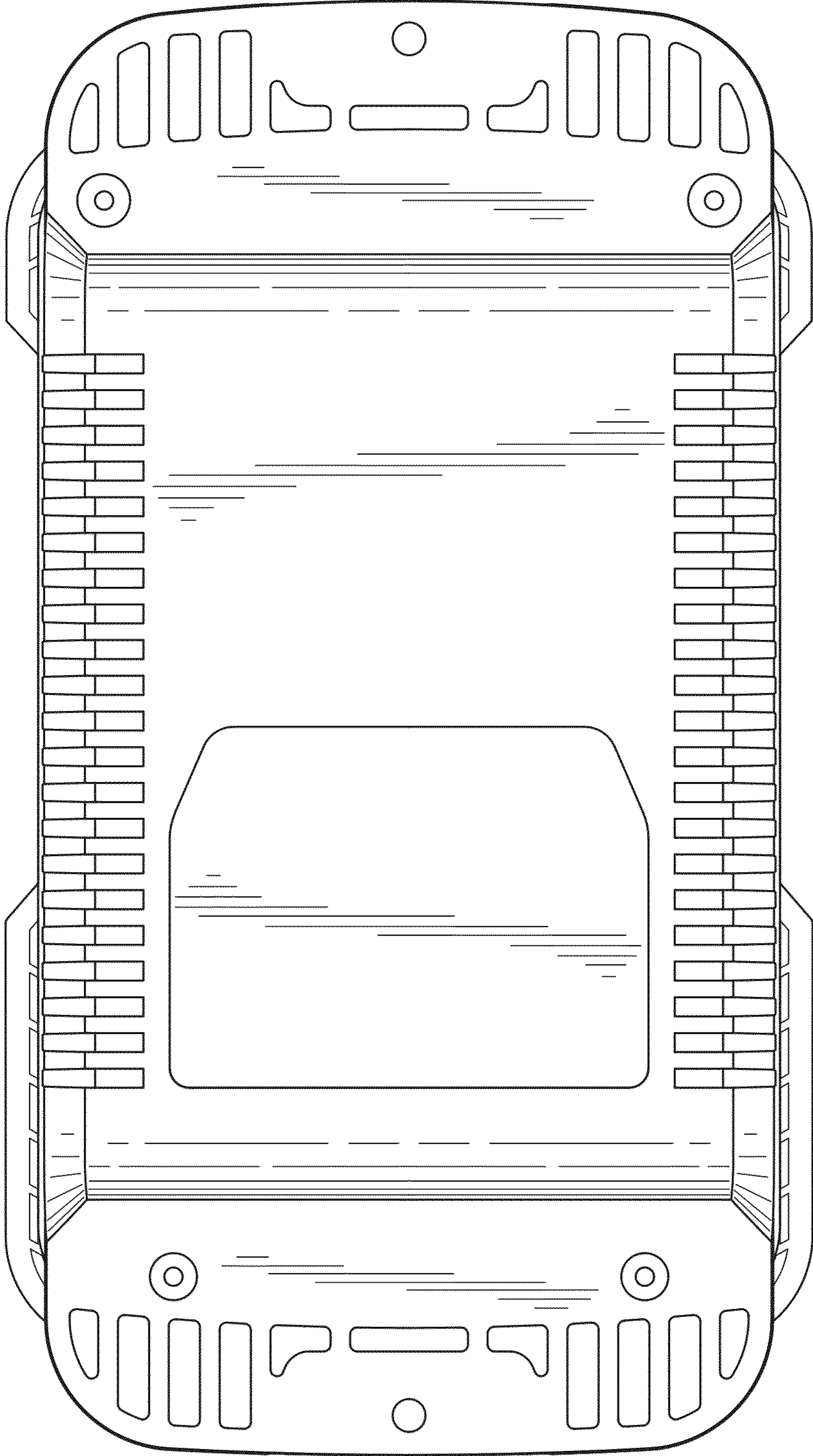


FIG. 7

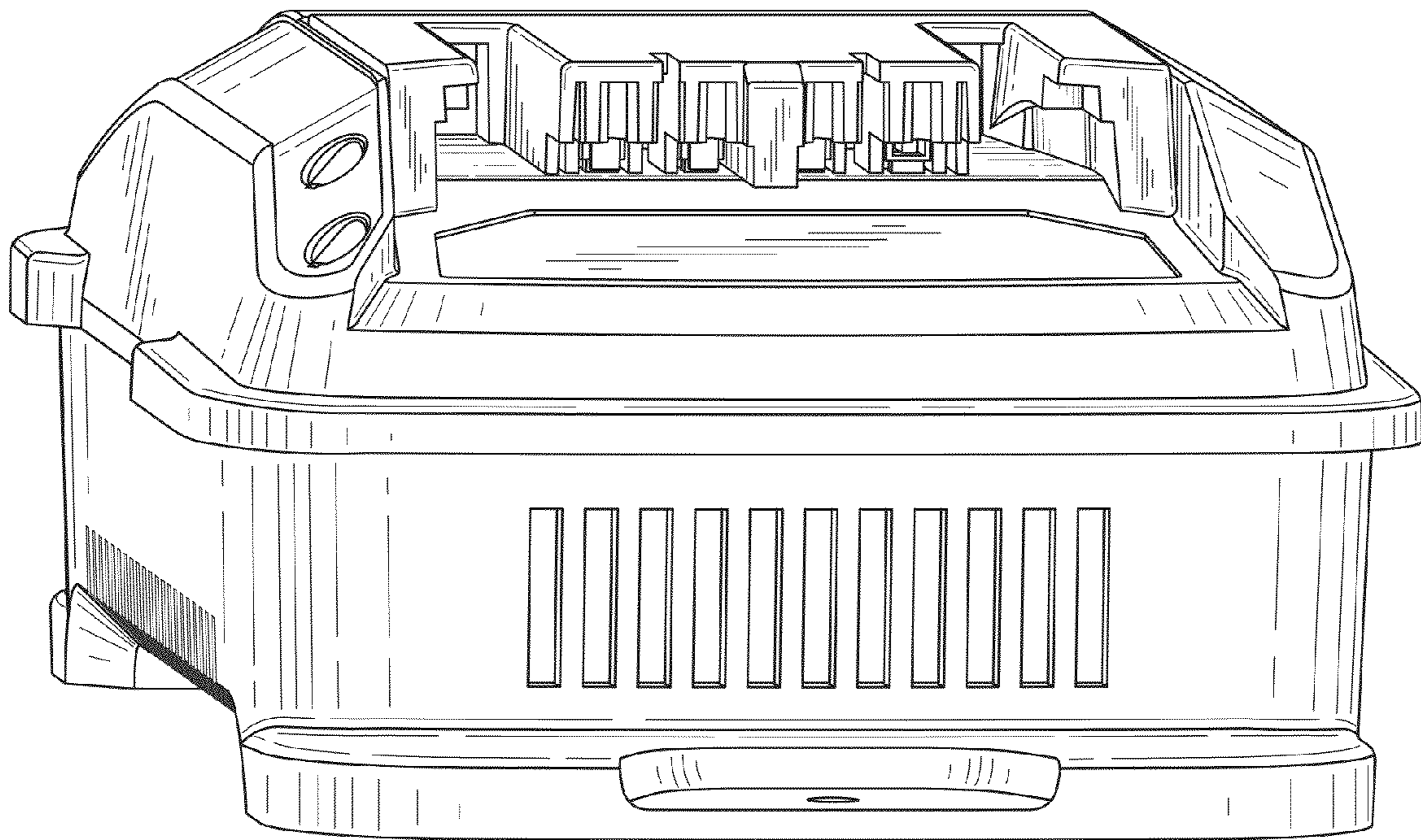


FIG. 8