



US00D711311S

(12) **United States Design Patent**  
**Corbin et al.**

(10) **Patent No.:** **US D711,311 S**

(45) **Date of Patent:** **\*\* Aug. 19, 2014**

(54) **BATTERY MODULE**

(71) Applicant: **Apple Inc.**, Cupertino, CA (US)

(72) Inventors: **Sean Stewart Corbin**, San Jose, CA (US); **Stephen McClure**, San Francisco, CA (US); **Alex Chun Lap Yeung**, San Francisco, CA (US)

(73) Assignee: **Apple Inc.**, Cupertino, CA (US)

(\*\*) Term: **14 Years**

(21) Appl. No.: **29/448,484**

(22) Filed: **Mar. 12, 2013**

**Related U.S. Application Data**

(63) Continuation of application No. 29/385,789, filed on Feb. 18, 2011, now Pat. No. Des. 677,620.

(51) **LOC (10) Cl.** ..... **13-02**

(52) **U.S. Cl.**  
USPC ..... **D13/103**

(58) **Field of Classification Search**  
USPC ..... D13/102–106, 110, 118–119, 184;  
429/96–100, 122, 156, 159, 163, 176  
See application file for complete search history.

(56) **References Cited**

**U.S. PATENT DOCUMENTS**

5,180,644	A	1/1993	Bresin et al.
5,436,089	A	7/1995	Fedele
5,601,942	A	2/1997	Fedele
D440,201	S	4/2001	Huynh et al.
D454,544	S	3/2002	Takach, Jr. et al.
D494,924	S	8/2004	Maruyama
D532,363	S	11/2006	Morisawa
7,595,129	B2	9/2009	Kato
D635,506	S	4/2011	Morisawa
D637,157	S	5/2011	Andre et al.
D655,673	S	3/2012	Masui

D658,583	S	5/2012	Andre et al.	
D672,713	S *	12/2012	Masui	D13/103
D677,620	S *	3/2013	Corbin et al.	D13/103
D678,184	S *	3/2013	Banko et al.	D13/103
D678,188	S *	3/2013	Sasada	D13/103
D684,529	S *	6/2013	Moon et al.	D13/103
D684,530	S *	6/2013	Moon et al.	D13/103
D684,531	S *	6/2013	Moon et al.	D13/103
D686,147	S *	7/2013	Morisawa	D13/103
D689,018	S *	9/2013	Honda et al.	D13/103
D692,823	S *	11/2013	Tanaka	D13/103
D700,135	S *	2/2014	Sato et al.	D13/103
D700,139	S *	2/2014	Chan et al.	D13/103
2002/0094475	A1	7/2002	Aoyama	

**OTHER PUBLICATIONS**

Co-pending U.S. Appl. No. 29/450,501, Inventors Banko et al., Mar. 18, 2013 (Not Published).

\* cited by examiner

*Primary Examiner* — Rosemary K Tarcza

(74) *Attorney, Agent, or Firm* — Sterne, Kessler, Goldstein & Fox PLLC

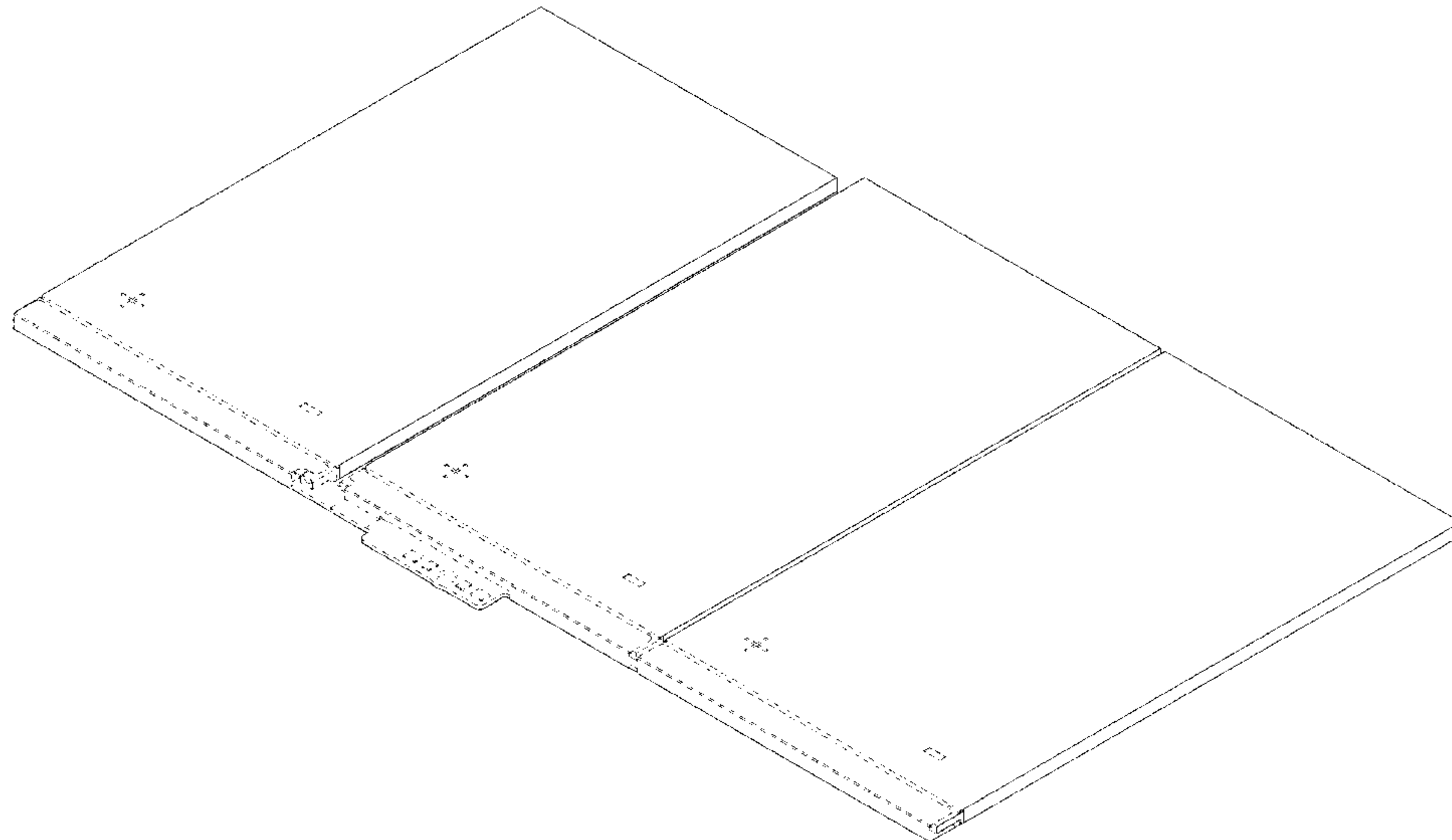
(57) **CLAIM**

The ornamental design for a battery module, as shown and described.

**DESCRIPTION**

FIG. 1 is a top front perspective view of a battery module showing our new design;  
FIG. 2 is a front view thereof;  
FIG. 3 is a rear view thereof;  
FIG. 4 is a left side view thereof;  
FIG. 5 is a right side view thereof;  
FIG. 6 is a top view thereof; and  
FIG. 7 is a bottom view thereof.  
The broken lines in the Figures show portions of the battery module that form no part of the claimed design.

**1 Claim, 5 Drawing Sheets**



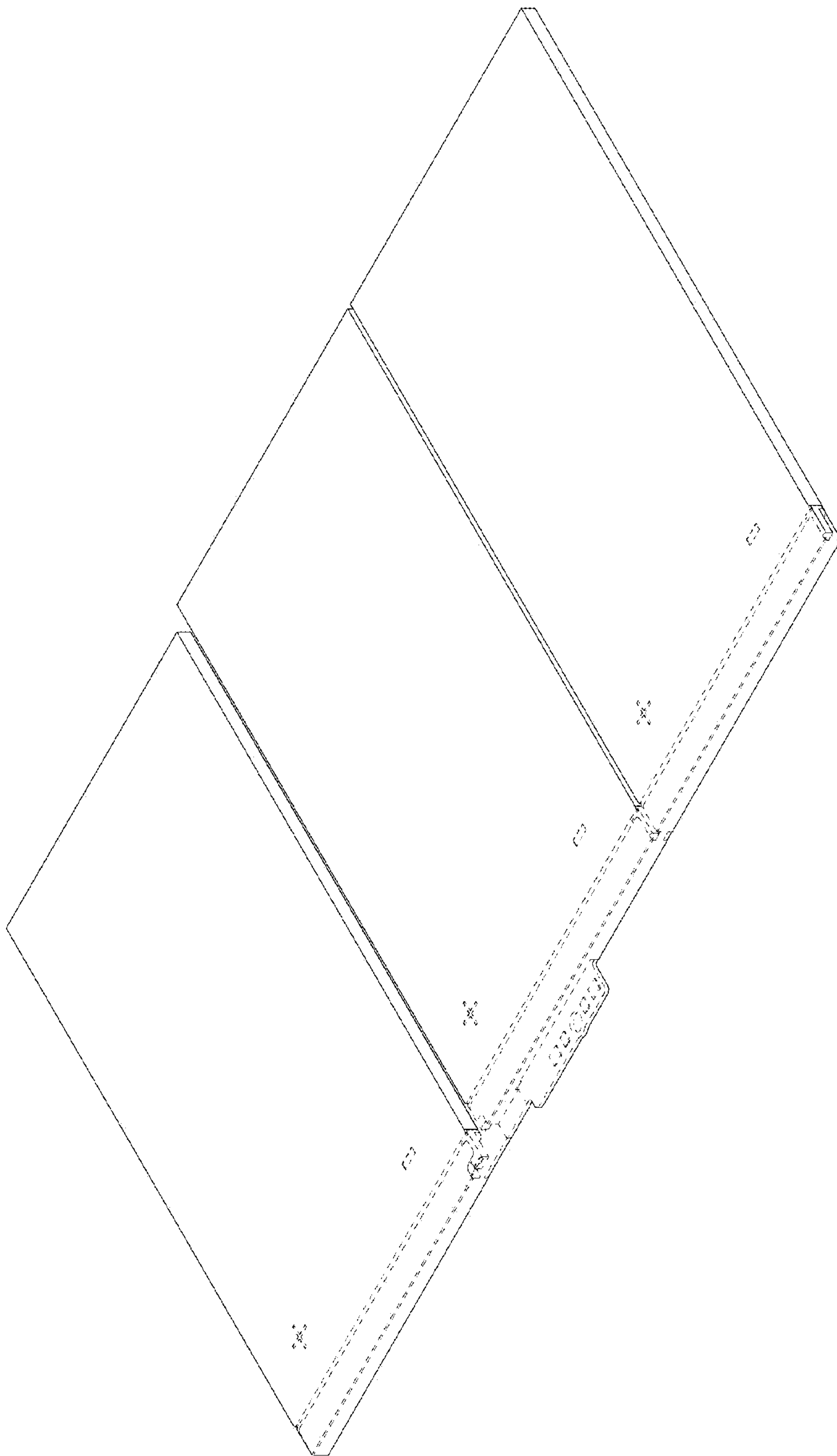


FIG. 1

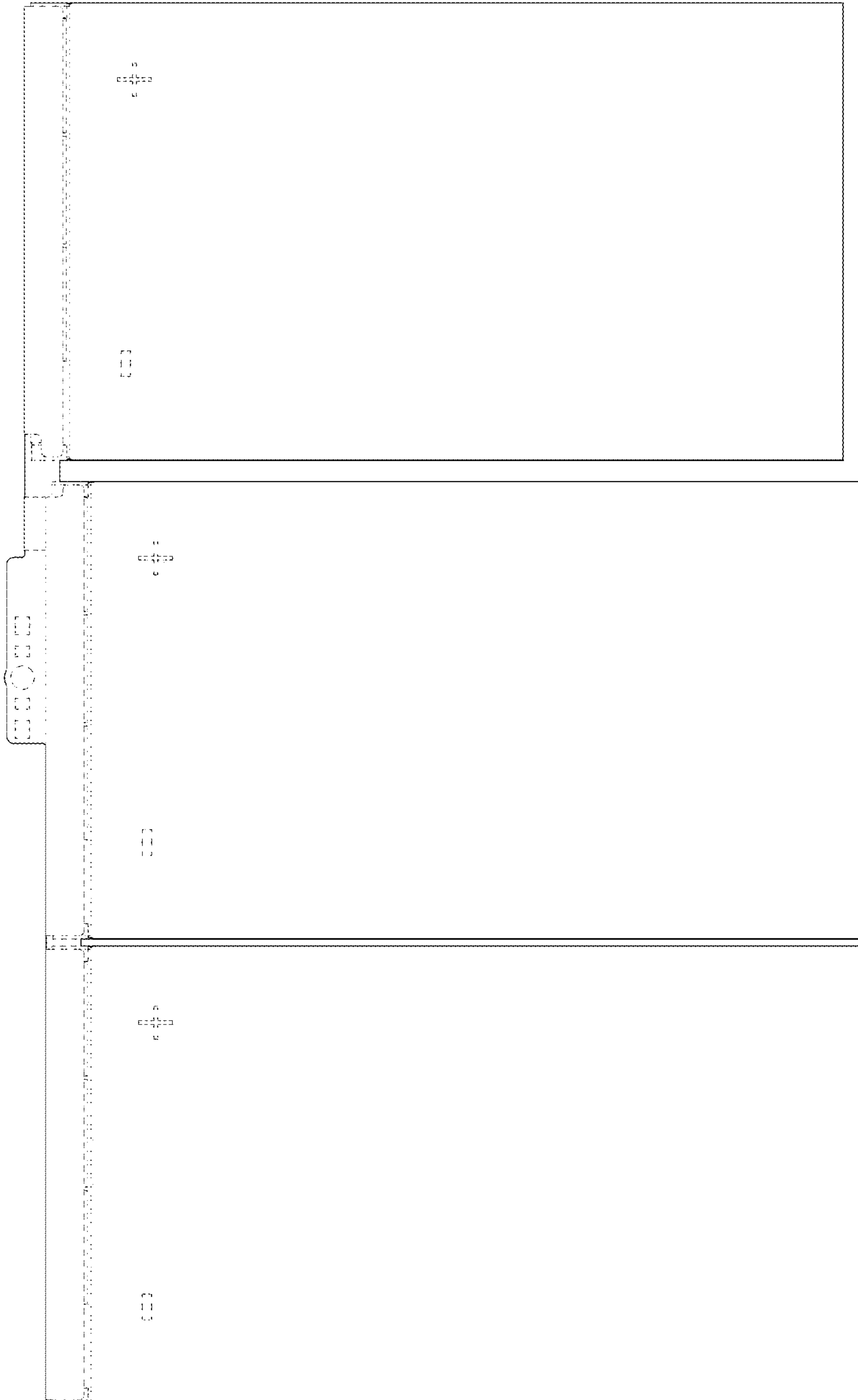
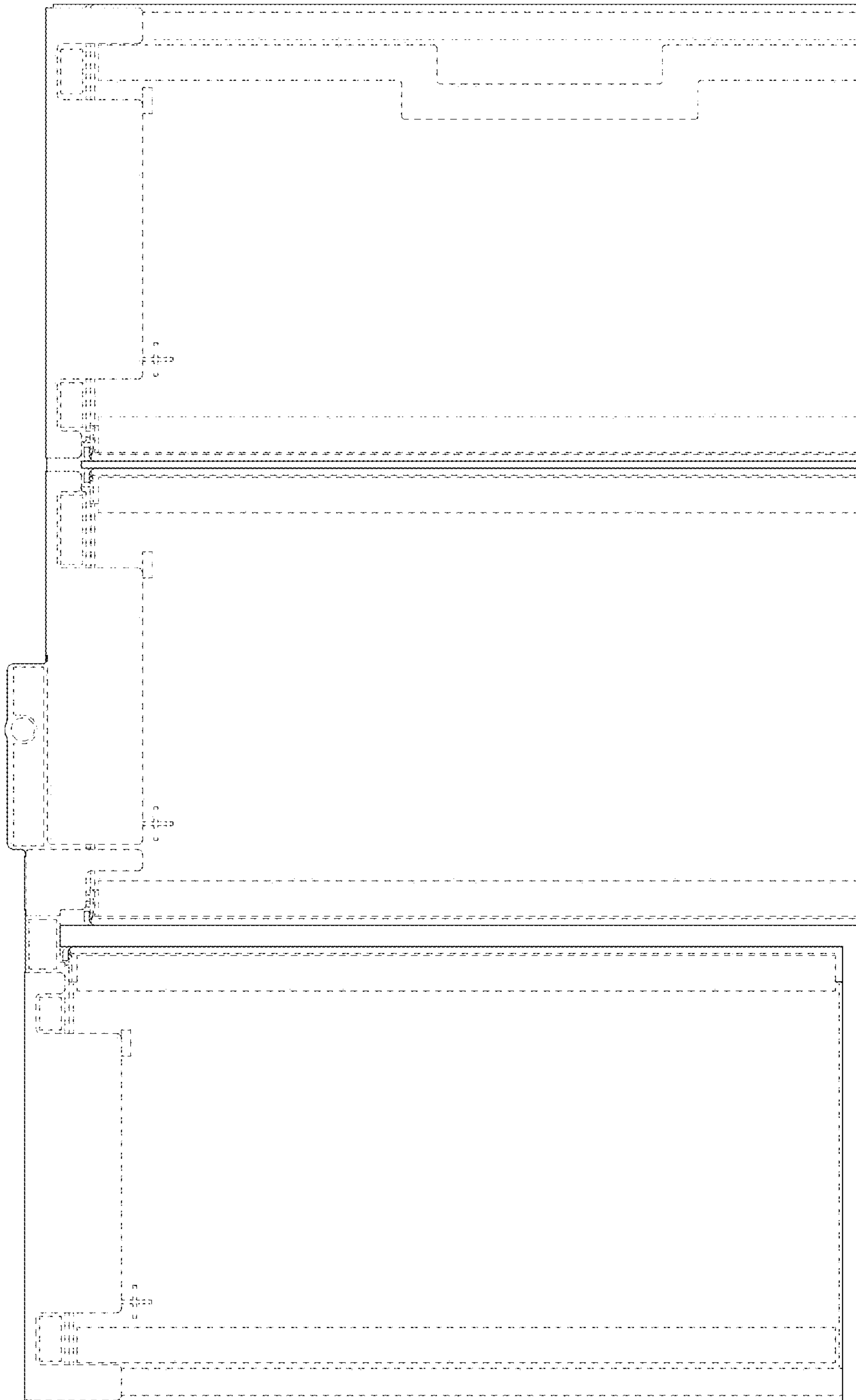
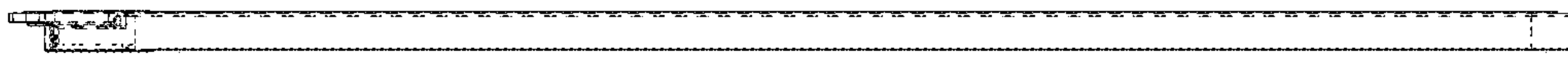


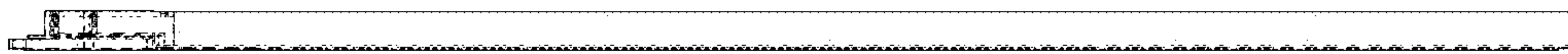
FIG. 2



**FIG. 3**



**FIG. 5**



**FIG. 4**



**FIG. 6**



**FIG. 7**