



US00D711307S

(12) **United States Design Patent**
Fair

(10) **Patent No.:** **US D711,307 S**

(45) **Date of Patent:** **** Aug. 19, 2014**

(54) **GRIPPING FEATURE**

(75) **Inventor:** **Paul F. Fair**, Denver, CO (US)

(73) **Assignee:** **Thule Organization Solutions, Inc.**,
Longmont, CO (US)

(**) **Term:** **14 Years**

(21) **Appl. No.:** **29/404,925**

(22) **Filed:** **Oct. 26, 2011**

(51) **LOC (10) Cl.** **12-16**

(52) **U.S. Cl.**
USPC **D12/412**

(58) **Field of Classification Search**
USPC D12/412, 406, 413, 414, 414.1;
293/37.1, 3, 100; 224/309-310,
224/315-316, 323-329, 400; D6/552;
D3/304-306; 280/760-762, 848, 727,
280/769

See application file for complete search history.

(56) **References Cited**

U.S. PATENT DOCUMENTS

6,902,089	B2 *	6/2005	Carnevali	224/553
D516,402	S *	3/2006	Gates et al.	D8/71
7,337,934	B2 *	3/2008	Alling et al.	224/401
D605,578	S *	12/2009	Retief	D12/411
7,681,768	B2 *	3/2010	Gates et al.	224/440
D626,494	S *	11/2010	Gates et al.	D12/412

D637,949	S *	5/2011	Farber	D12/412
D651,153	S *	12/2011	Branaman et al.	D12/223
2003/0042283	A1 *	3/2003	Carnevali	224/560
2004/0113041	A1 *	6/2004	Hancock et al.	248/688

OTHER PUBLICATIONS

Notification of the Decision to Grant Patent for Chinese Patent Application No. 201230133715.6 dated Oct. 30, 2012, 4 pages.
Notification of the Decision to Grant Patent for Chinese Patent Application No. 201230133764.X dated Nov. 16, 2012, 4 pages.
Design U.S. Appl. No. 29/446,529, filed Feb. 25, 2013, Fair.

* cited by examiner

Primary Examiner — Katrina A Betton

(74) *Attorney, Agent, or Firm* — Sheridan Ross P.C.

(57) **CLAIM**

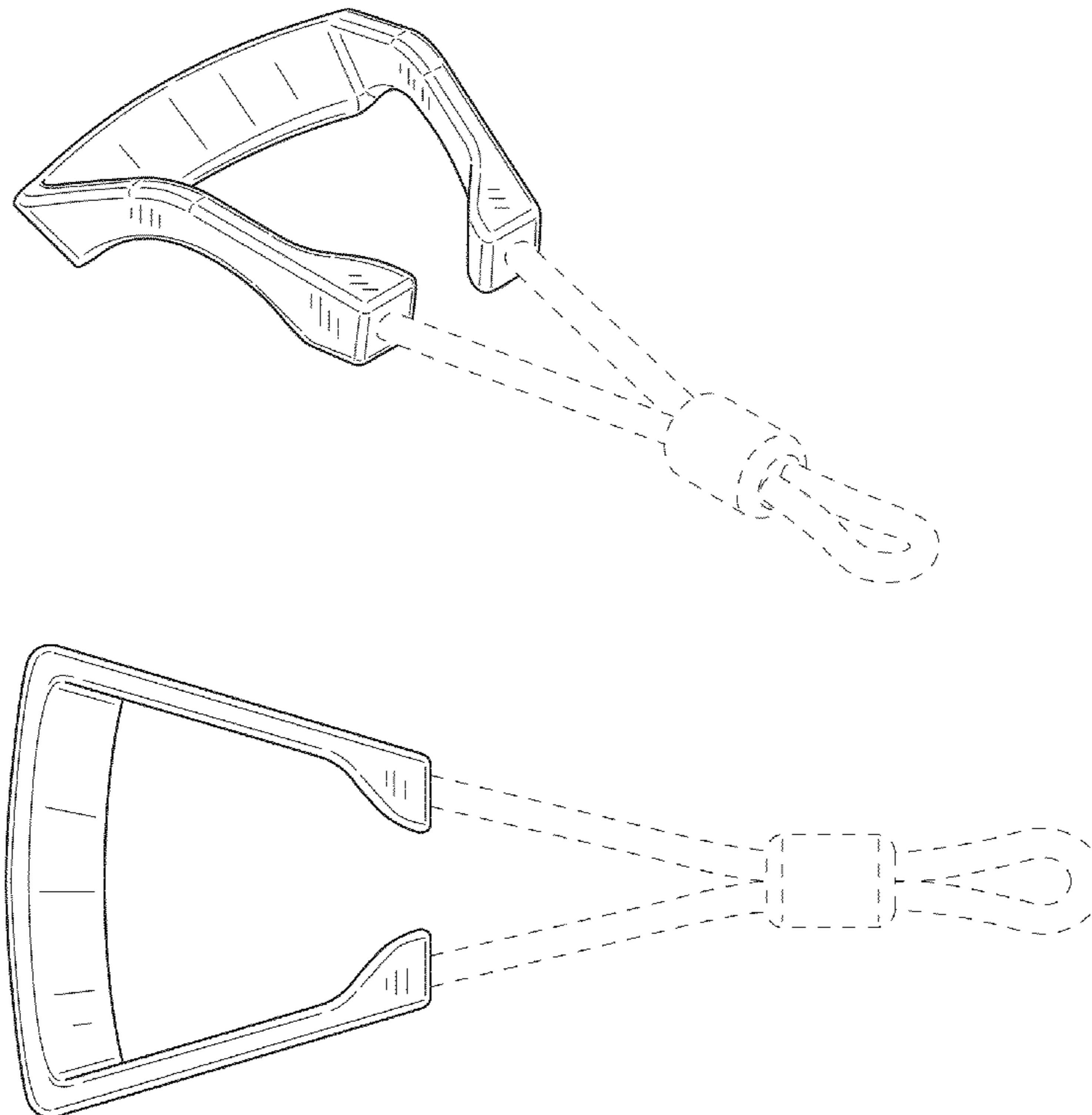
The ornamental design for a gripping feature, as shown and described.

DESCRIPTION

FIG. 1 is a front perspective view of the gripping feature; FIG. 2 is a top plan view thereof; FIG. 3 is a front elevation view thereof; FIG. 4 is a right elevation view thereof; FIG. 5 is a bottom plan view thereof; and, FIG. 6 is a rear elevation view thereof.

The broken lines showing a gripping feature are included for the purpose of illustrating environment and form no part of the claimed design.

1 Claim, 3 Drawing Sheets



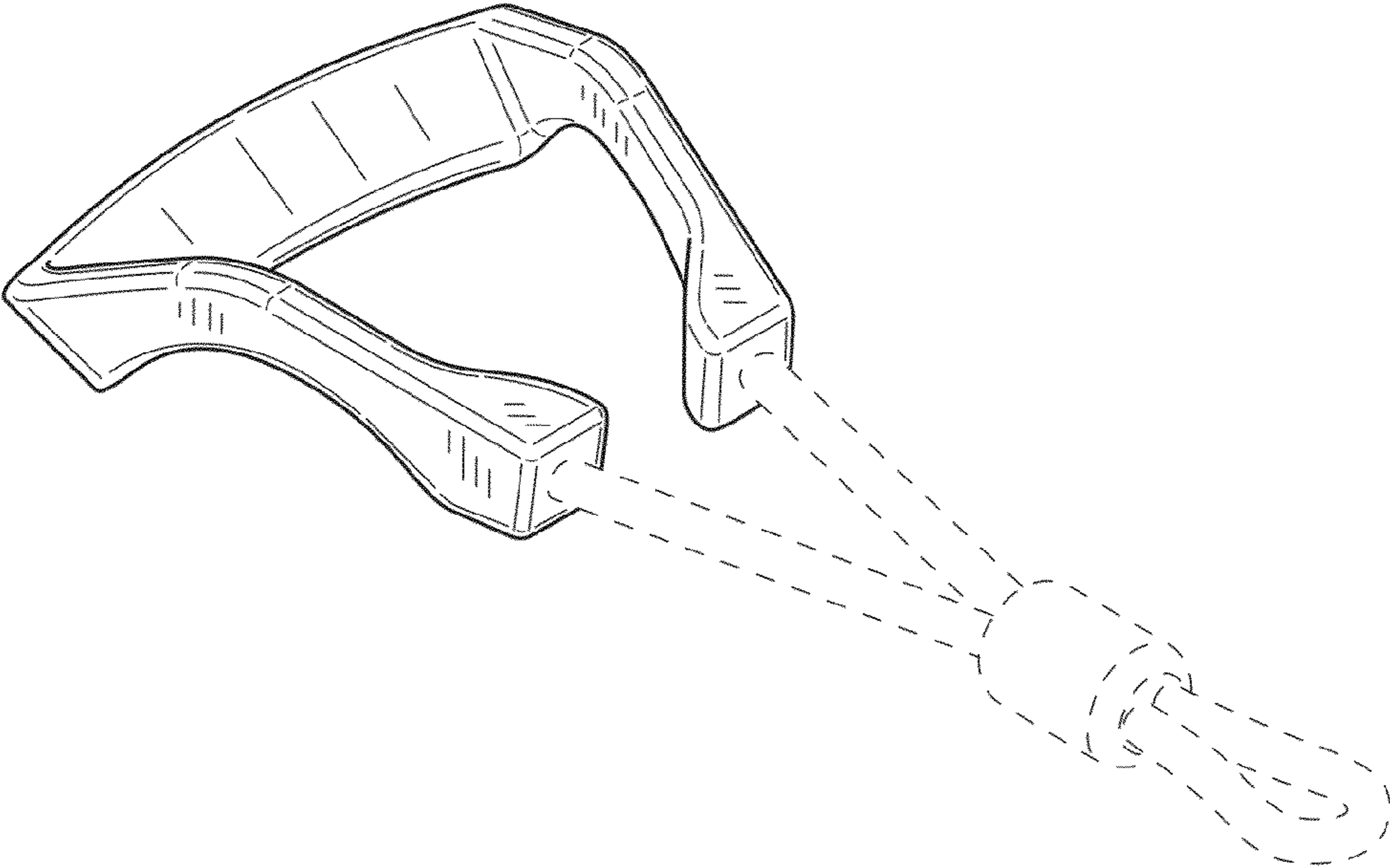


FIG.1

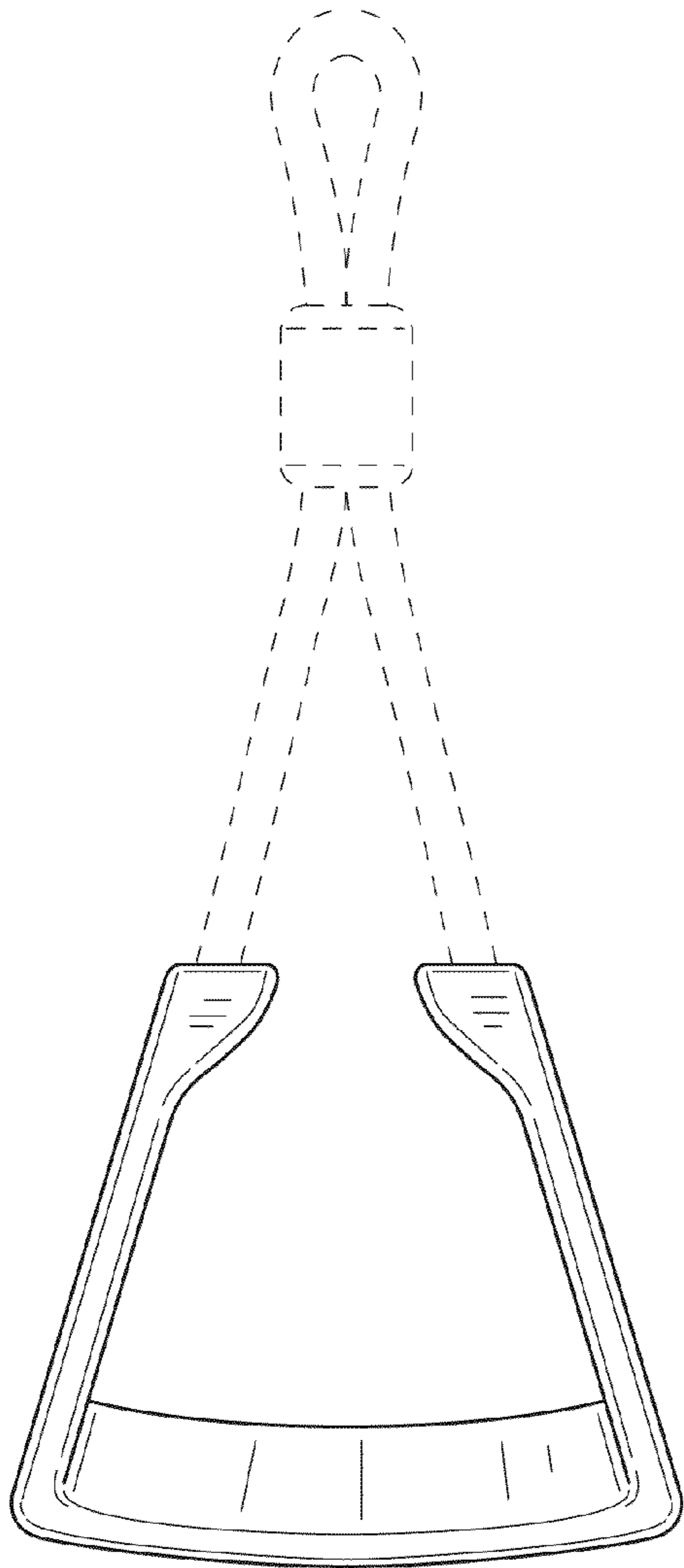


FIG. 2

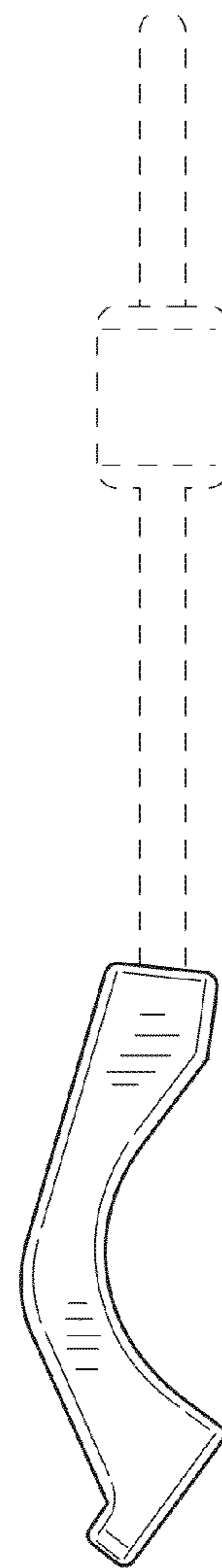


FIG. 4

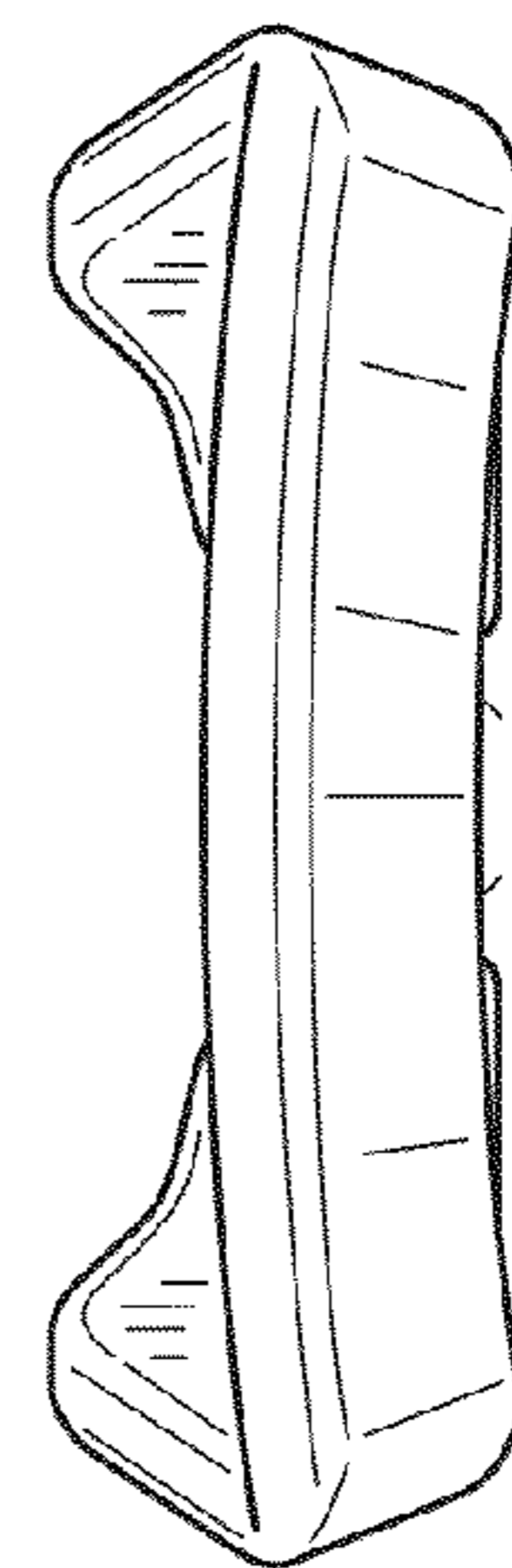


FIG. 3

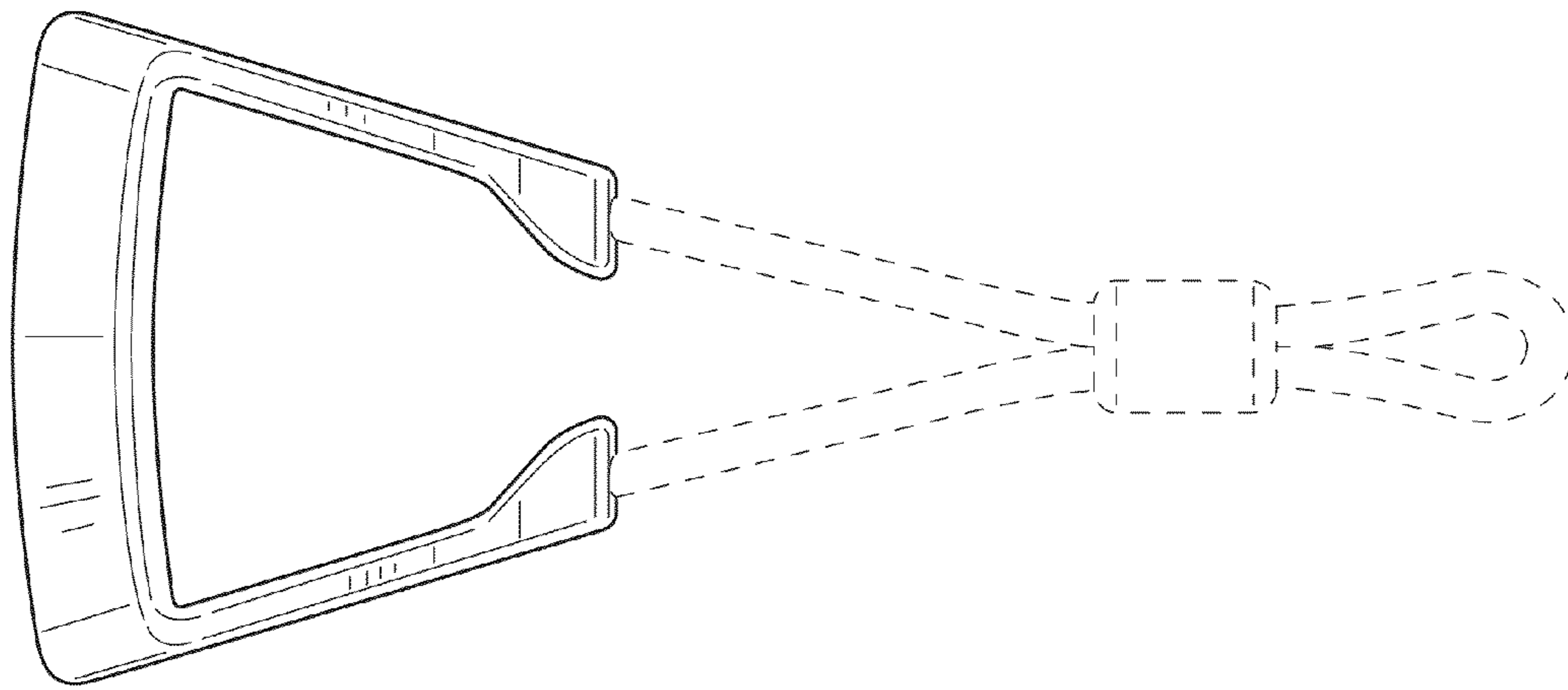


FIG. 5

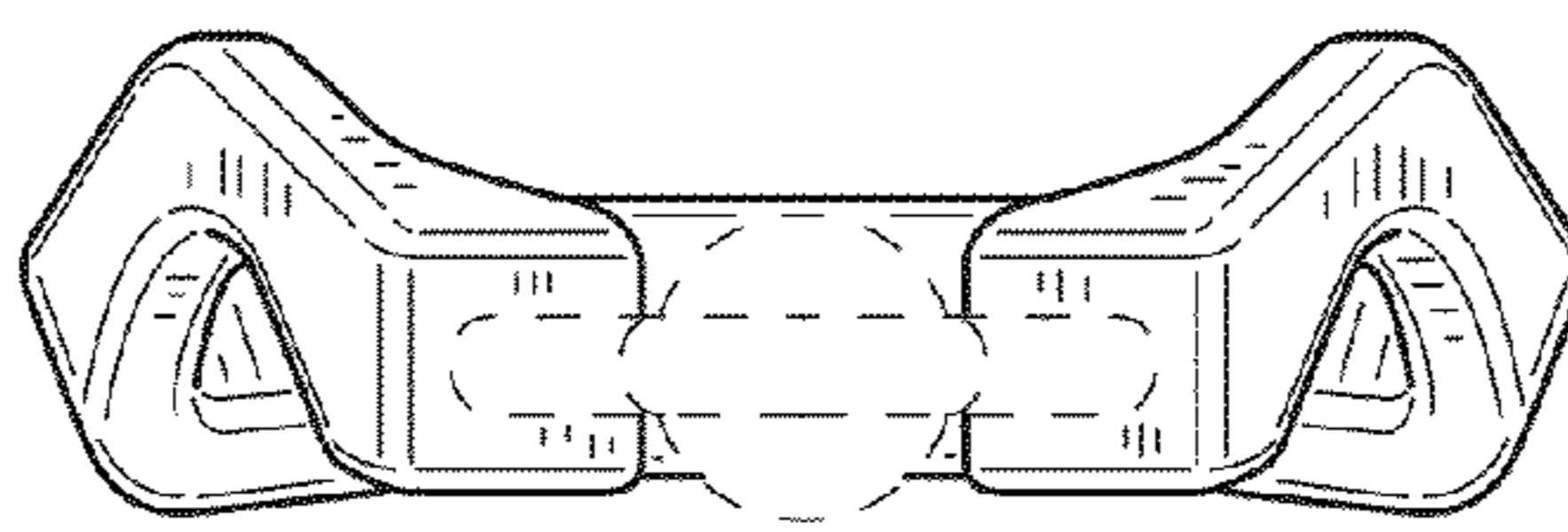


FIG. 6