



US00D711296S

(12) **United States Design Patent**
O'Donnell et al.

(10) **Patent No.:** **US D711,296 S**

(45) **Date of Patent:** **** Aug. 19, 2014**

(54) **VEHICLE FRONT BUMPER**

(71) Applicant: **GM Global Technology Operations LLC**, Detroit, MI (US)

(72) Inventors: **Kevin M. O'Donnell**, Beverly Hills, MI (US); **Junglim Huh**, Rochester Hills, MI (US)

(73) Assignee: **GM Global Technology Operations LLC**, Detroit, MI (US)

(**) Term: **14 Years**

(21) Appl. No.: **29/451,141**

(22) Filed: **Mar. 28, 2013**

(51) **LOC (10) Cl.** **12-16**

(52) **U.S. Cl.**
USPC **D12/169**

(58) **Field of Classification Search**
USPC D12/169, 216, 90-92, 86, 171, 196,
D12/163; 293/102, 113, 115, 117, 120;
296/180.1, 180.2

See application file for complete search history.

(56) **References Cited**

U.S. PATENT DOCUMENTS

D695,653 S *	12/2013	Tada	D12/169
D700,115 S *	2/2014	Okumoto	D12/169
D700,548 S *	3/2014	Hildebrand et al.	D12/169
D701,800 S *	4/2014	Campbell et al.	D12/169

* cited by examiner

Primary Examiner — Melody Brown

(74) *Attorney, Agent, or Firm* — Parks IP Law LLC; Mickki D. Murray, Esq.

(57) **CLAIM**

The ornamental design for a vehicle front bumper, as shown and described.

DESCRIPTION

FIG. 1 is perspective view of a vehicle front bumper showing the new design;

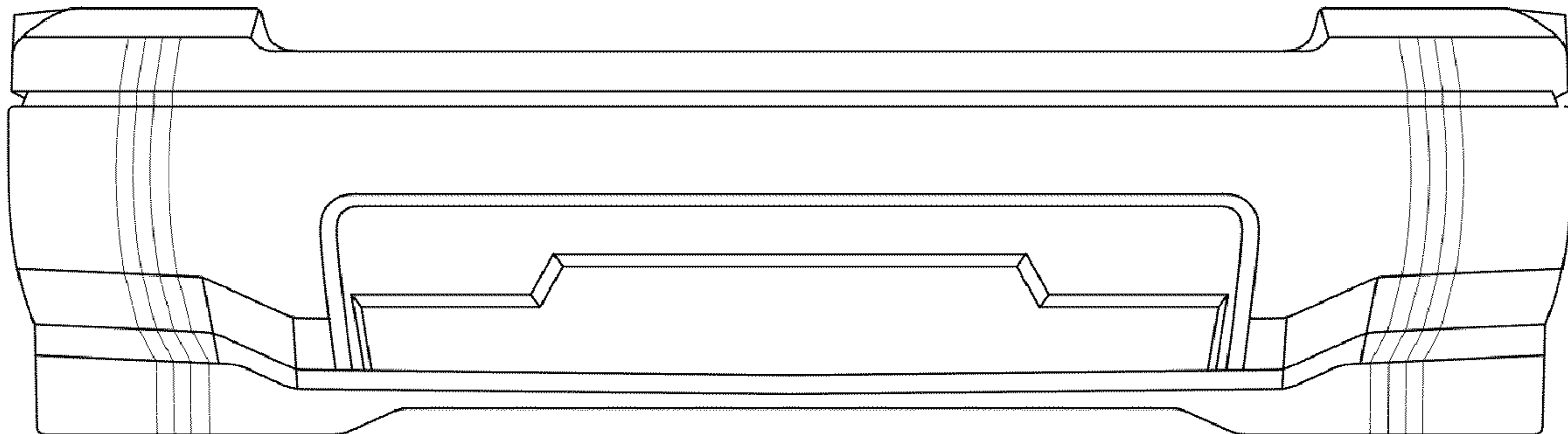
FIG. 2 is a side view, thereof;

FIG. 3 is a top plan view, thereof; and,

FIG. 4 is a front view, thereof.

In the figures, features shown by broken lines are for illustrative purposes only and form no part of the claimed design.

1 Claim, 1 Drawing Sheet



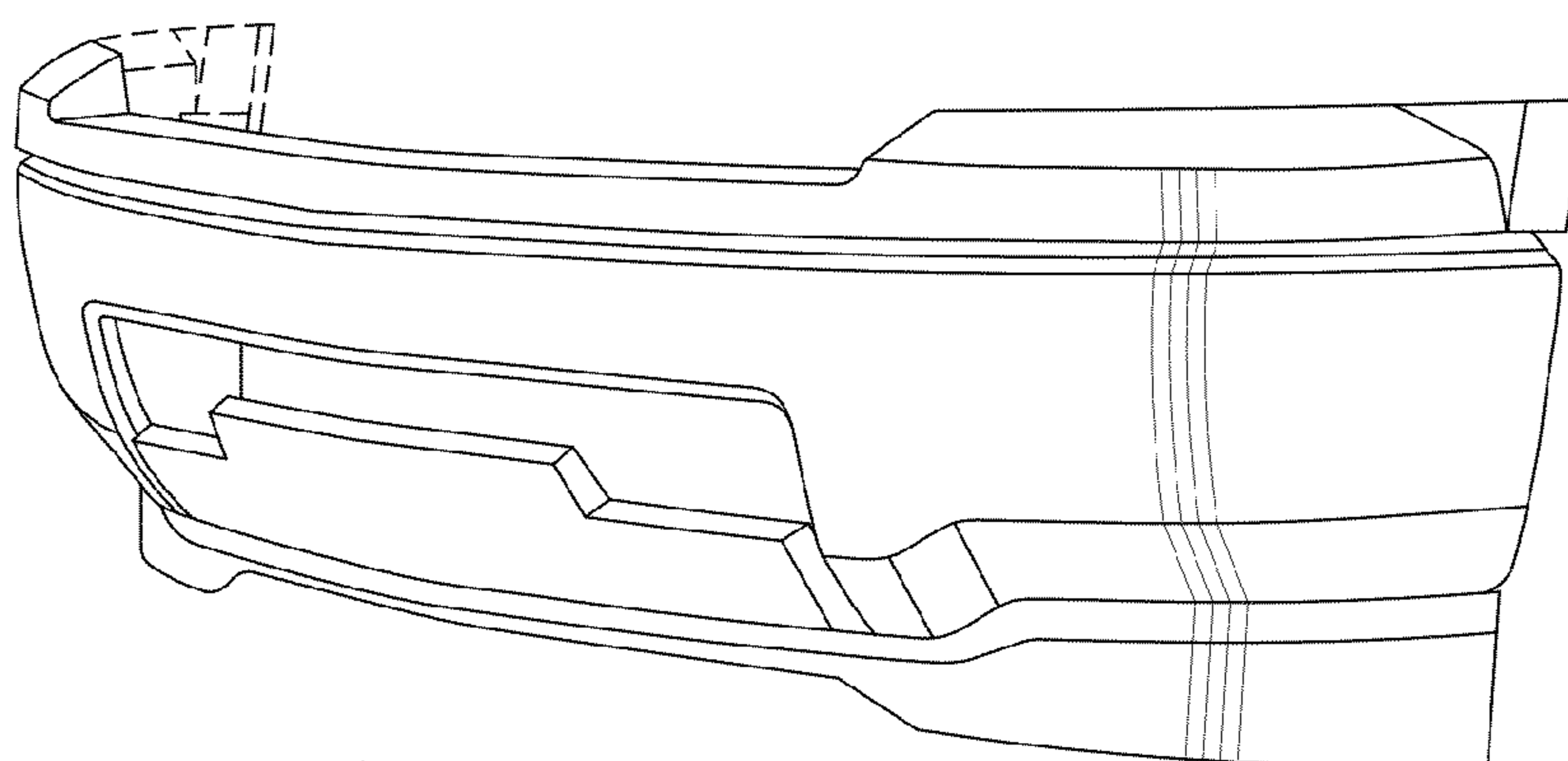


Fig-1

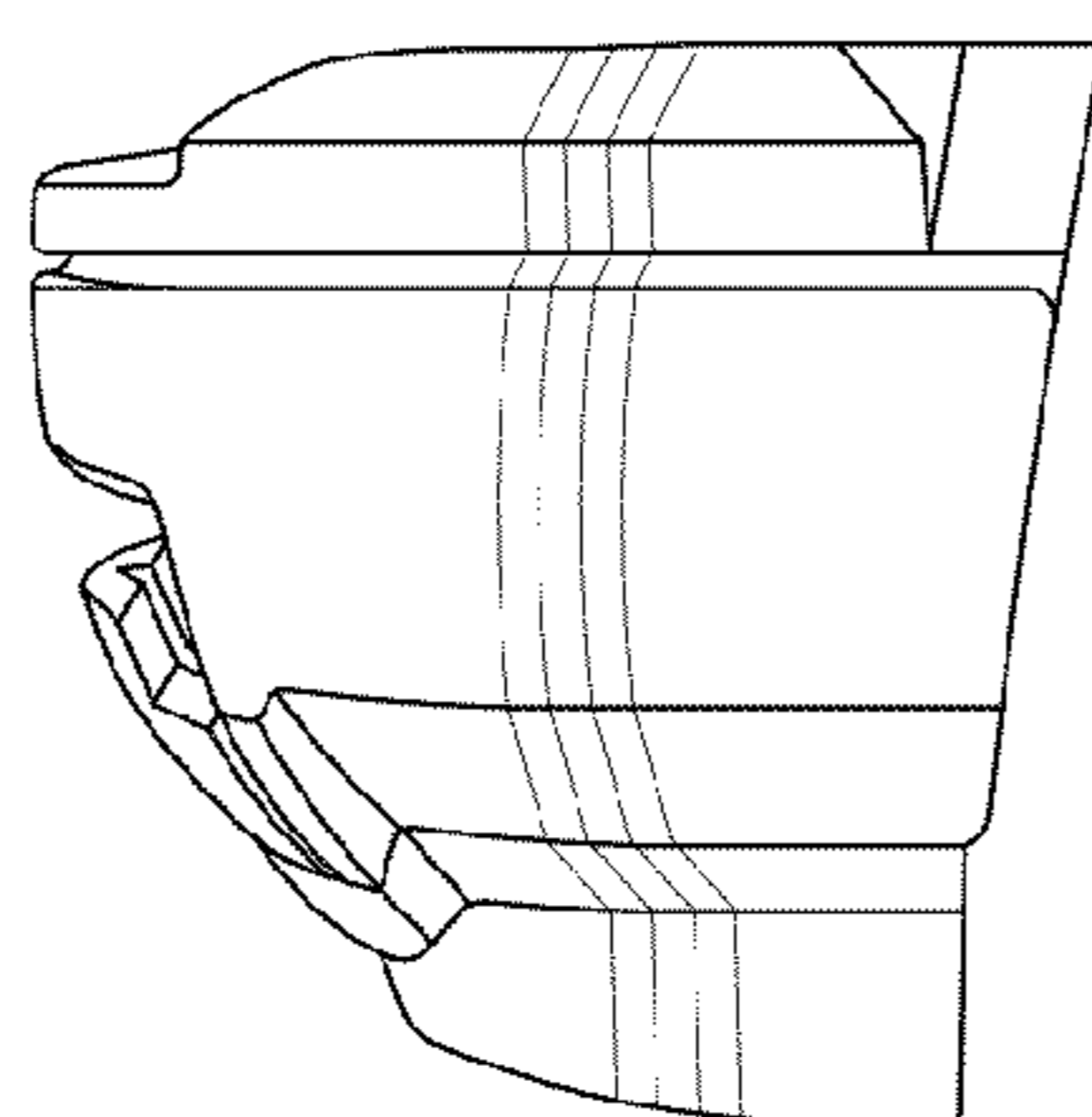


Fig-2

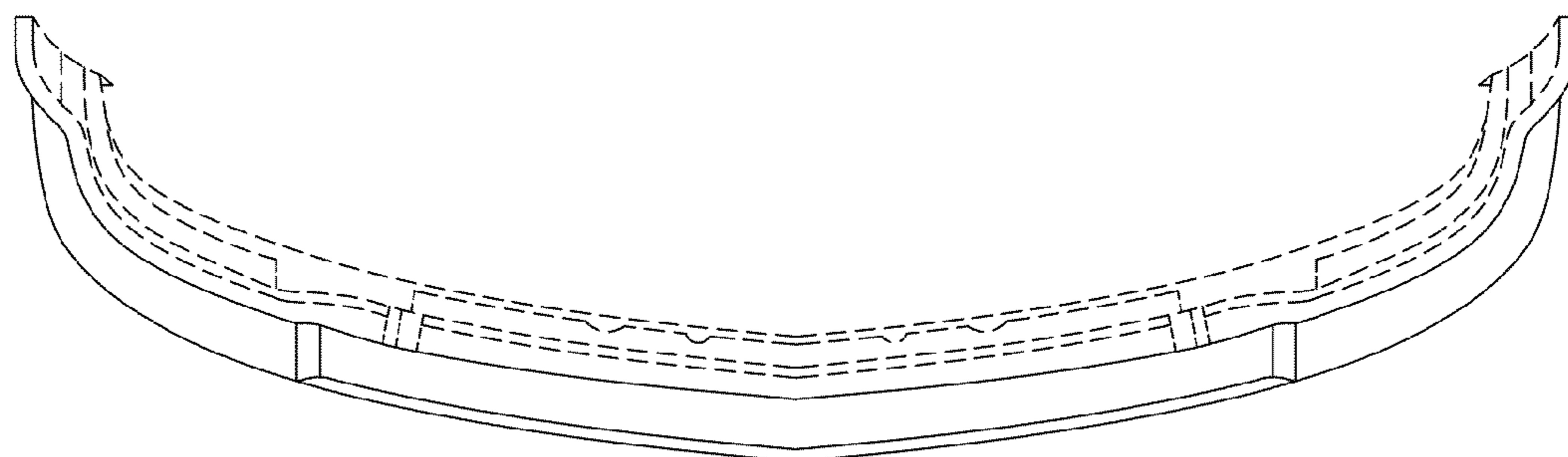


Fig-3

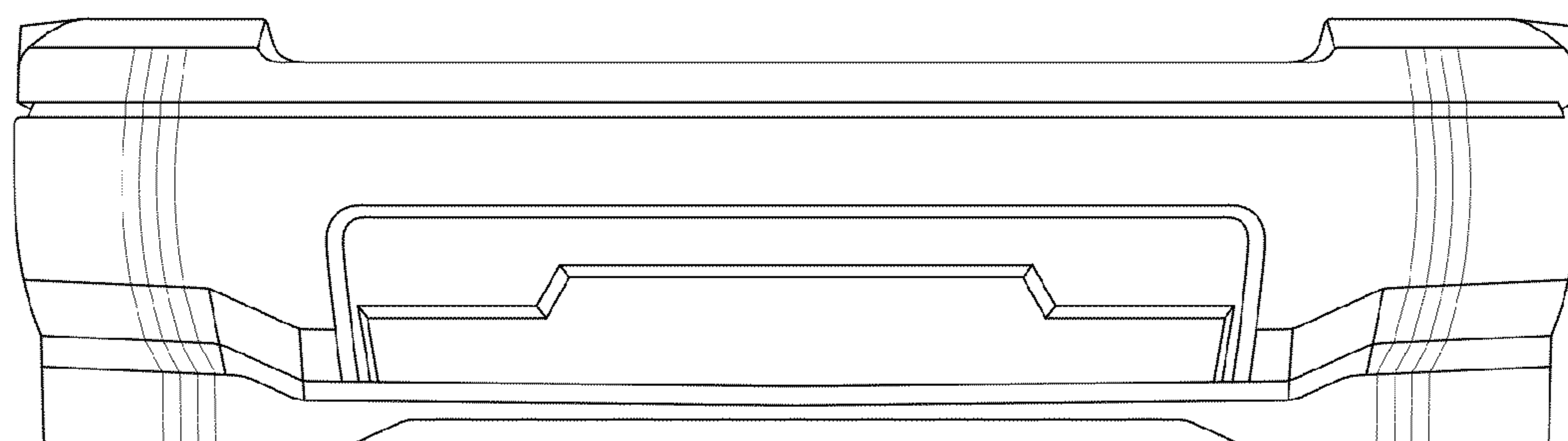


Fig-4