



US00D711295S

(12) **United States Design Patent**
Mackay

(10) **Patent No.:** **US D711,295 S**

(45) **Date of Patent:** **** Aug. 19, 2014**

(54) **VEHICLE FRONT BUMPER**

(56) **References Cited**

(71) Applicant: **GM Global Technology Operations LLC**, Detroit, MI (US)

U.S. PATENT DOCUMENTS

(72) Inventor: **Brendon C. Mackay**, Shelby Township, MI (US)

D544,417 S *	6/2007	Kono	D12/169
D570,748 S *	6/2008	Nakamura et al.	D12/169
D695,166 S *	12/2013	Tada	D12/169
D695,167 S *	12/2013	Platto et al.	D12/169

(73) Assignee: **GM Global Technology Operations LLC**, Detroit, MI (US)

* cited by examiner

(**) Term: **14 Years**

Primary Examiner — Melody Brown

(21) Appl. No.: **29/451,003**

(74) *Attorney, Agent, or Firm* — Parks IP Law LLC; Mickki D. Murray, Esq.

(22) Filed: **Mar. 27, 2013**

(57) **CLAIM**

The ornamental design for a vehicle front bumper, as shown and described.

(51) **LOC (10) Cl.** **12-16**

DESCRIPTION

(52) **U.S. Cl.**
USPC **D12/169**

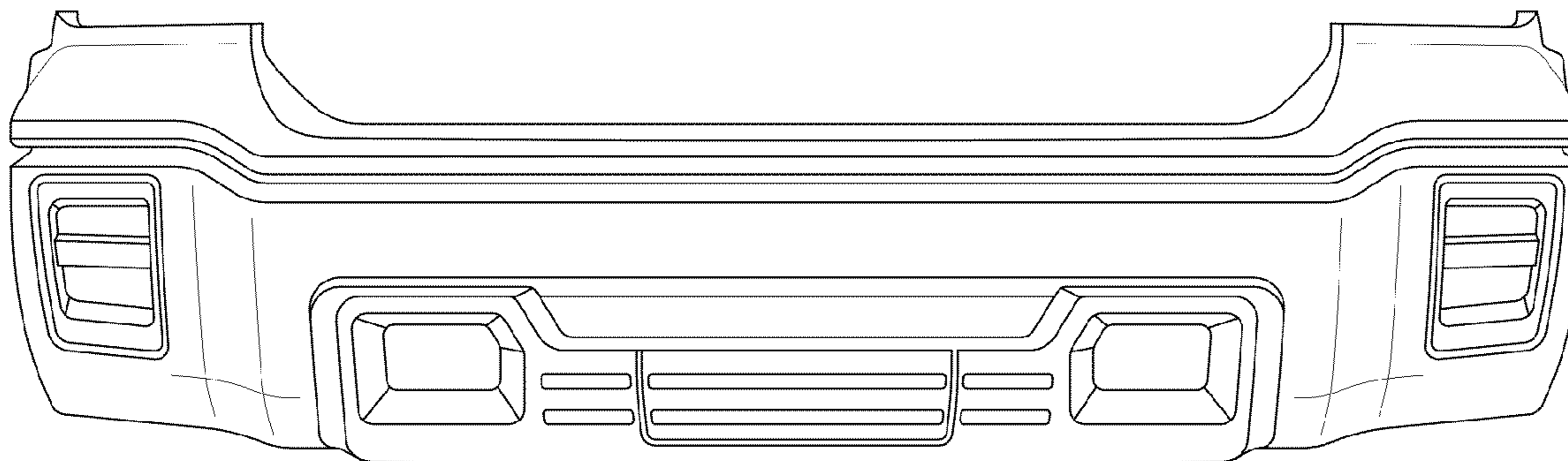
FIG. 1 is perspective view of a vehicle front bumper showing the new design;
FIG. 2 is a front view, thereof;
FIG. 3 is a side view, thereof; and,
FIG. 4 is a top plan view, thereof.

(58) **Field of Classification Search**
USPC D12/169, 216, 90-92, 86, 171, 196,
D12/163; 293/102, 113, 115, 117, 120;
296/180.1, 180.2

In the figures, features shown by broken lines are for illustrative purposes only and form no part of the claimed design.

See application file for complete search history.

1 Claim, 1 Drawing Sheet



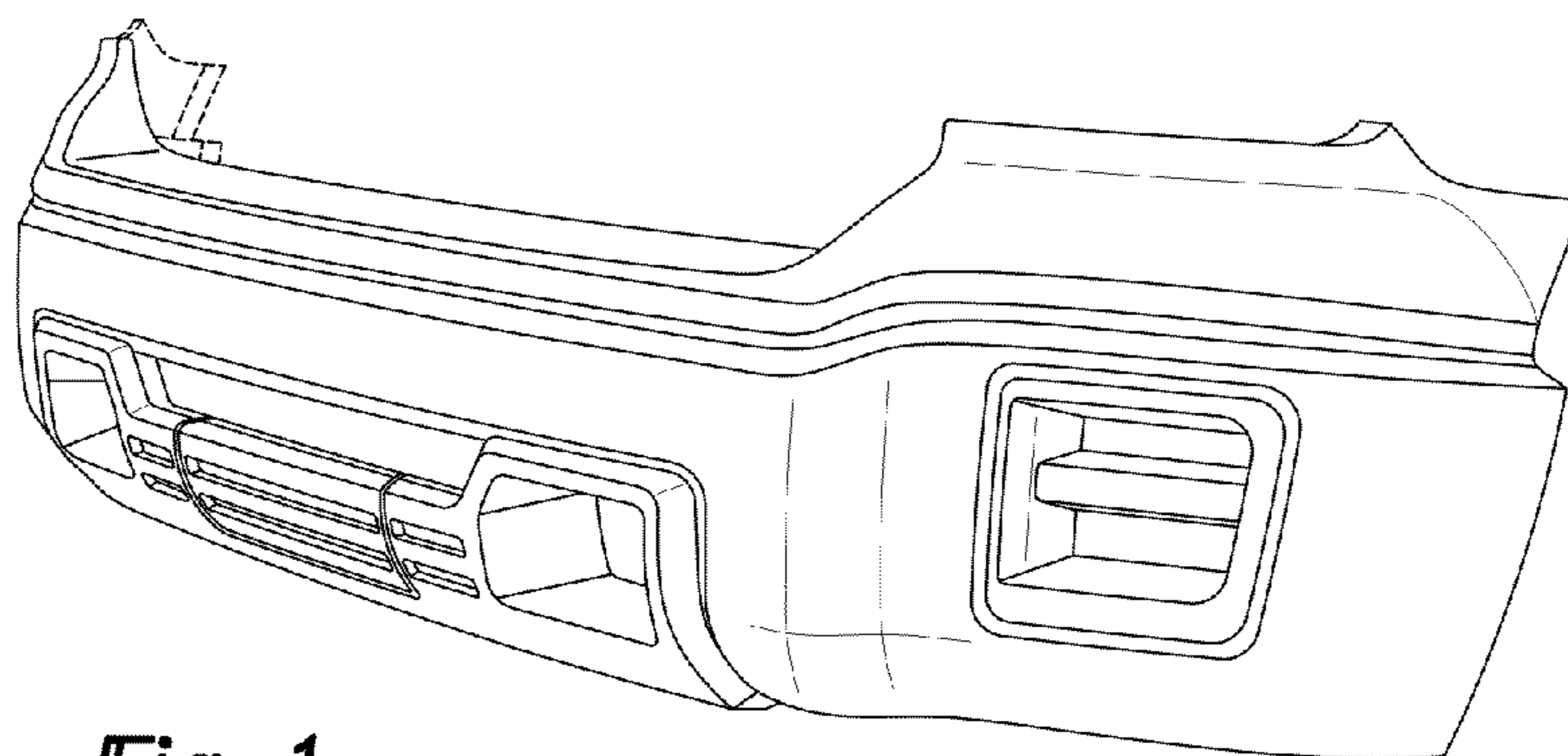


Fig-1

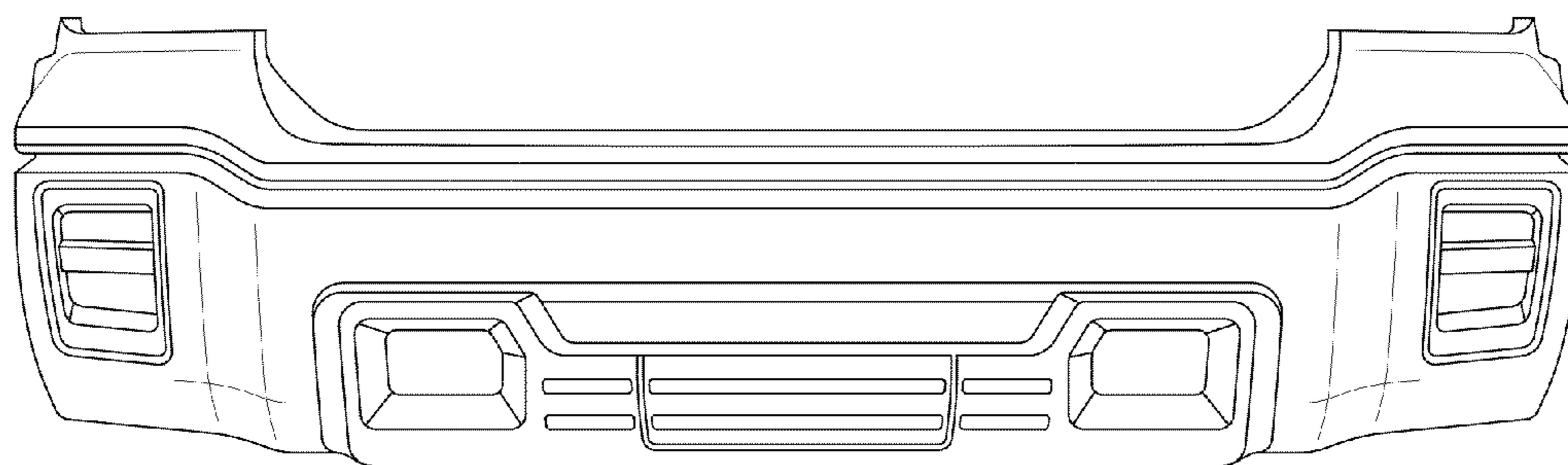


Fig-2

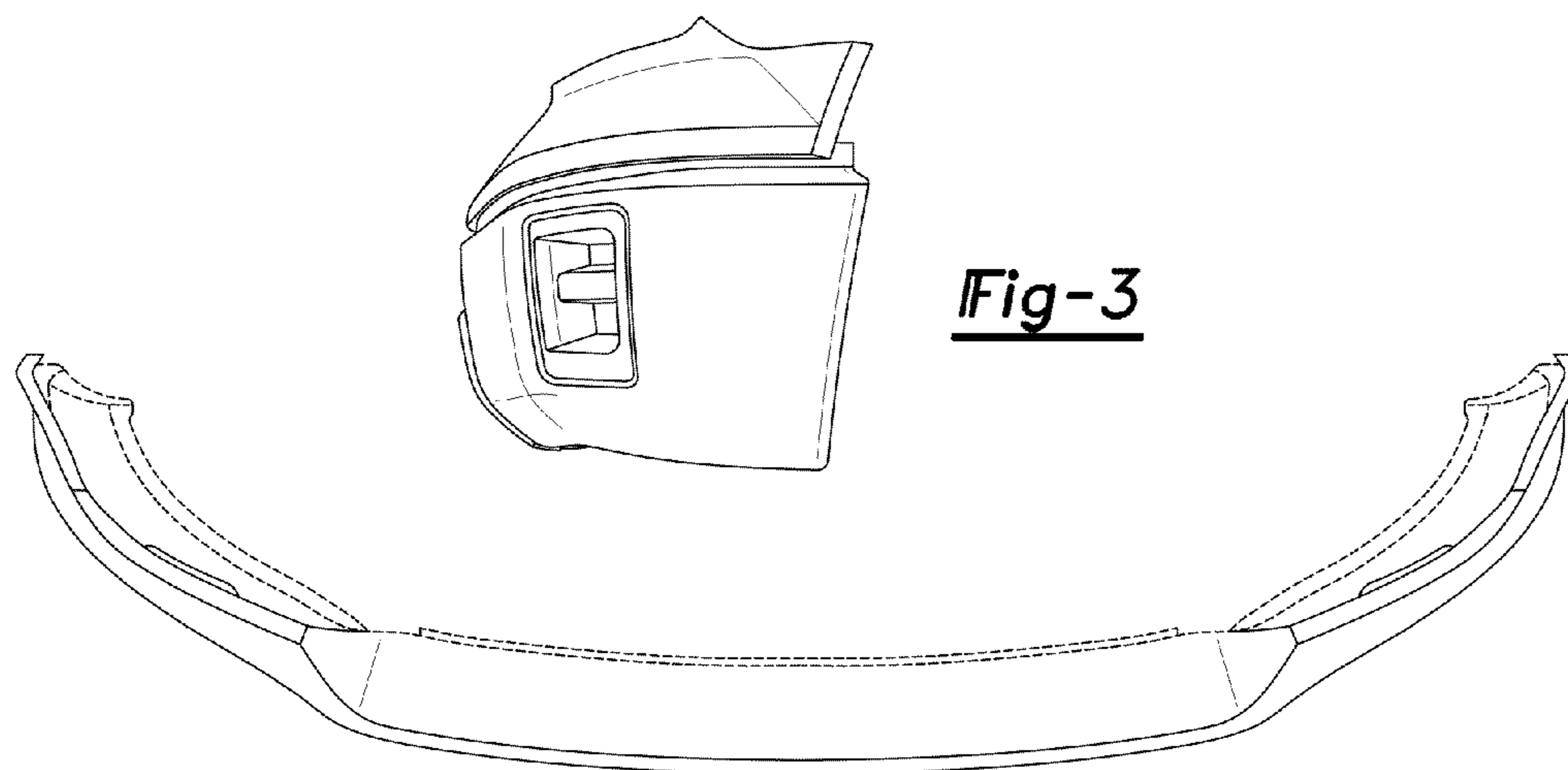


Fig-3

Fig-4