



US00D711294S

(12) **United States Design Patent**  
**Karras et al.**

(10) **Patent No.:** **US D711,294 S**  
(45) **Date of Patent:** **\*\* Aug. 19, 2014**

(54) **VEHICLE REAR FASCIA**  
(75) Inventors: **Panayiotis J. Karras**, Ferndale, MI  
(US); **Hoon S Kim**, Rochester Hills, MI  
(US); **Robert Hunwick**, Dearborn, MI  
(US)  
(73) Assignee: **GM Global Technology Operations**  
**LLC**, Detroit, MI (US)

D590,308 S \* 4/2009 Futschik et al. .... D12/169  
D615,009 S \* 5/2010 Schell et al. .... D12/169  
D619,509 S \* 7/2010 Choi et al. .... D12/164  
D640,613 S \* 6/2011 Bauer et al. .... D12/169  
D640,616 S \* 6/2011 Schell et al. .... D12/169  
D647,831 S \* 11/2011 Murakawa et al. .... D12/169  
D653,593 S \* 2/2012 Nishihama .... D12/169  
D663,658 S \* 7/2012 Karras et al. .... D12/169  
D671,049 S \* 11/2012 Davidson et al. .... D12/169  
D673,088 S \* 12/2012 Thompson .... D12/169

\* cited by examiner

(\*\*) Term: **14 Years**

(21) Appl. No.: **29/425,543**

(22) Filed: **Jun. 25, 2012**

(51) **LOC (10) Cl.** ..... **12-16**

(52) **U.S. Cl.**  
USPC ..... **D12/169**

(58) **Field of Classification Search**  
USPC ..... D12/86, 90, 91, 92, 163, 169, 171, 196,  
D12/216; 293/102, 113, 115, 117, 120;  
296/180.1, 180.2  
See application file for complete search history.

(56) **References Cited**

**U.S. PATENT DOCUMENTS**

6,520,553 B2 \* 2/2003 Muramatsu ..... 293/155  
D583,725 S \* 12/2008 Schiavone et al. .... D12/169  
D589,416 S \* 3/2009 Osborne et al. .... D12/169

*Primary Examiner* — Philip S Hyder

*Assistant Examiner* — Darlington Ly

(74) *Attorney, Agent, or Firm* — Parks IP Law LLC; Mickki  
D. Murray, Esq.

(57) **CLAIM**

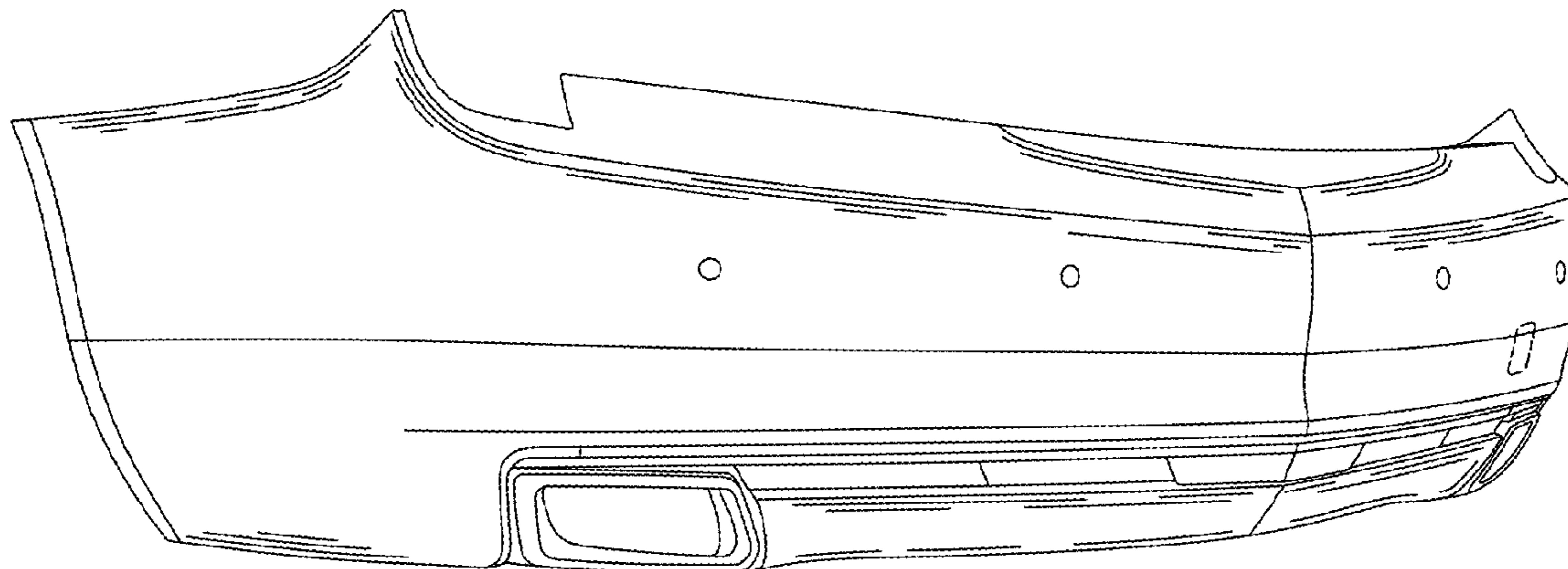
We claim the ornamental design for a vehicle rear fascia, as  
shown and described.

**DESCRIPTION**

FIG. 1 is a perspective view of the components of a vehicle  
rear fascia showing the new design;  
FIG. 2 is a side view, thereof;  
FIG. 3 is a top plan view, thereof; and,  
FIG. 4 is a front view, thereof.

The broken lines shown in the drawings illustrate portions of  
the vehicle rear fascia that form no part of claimed design.

**1 Claim, 2 Drawing Sheets**



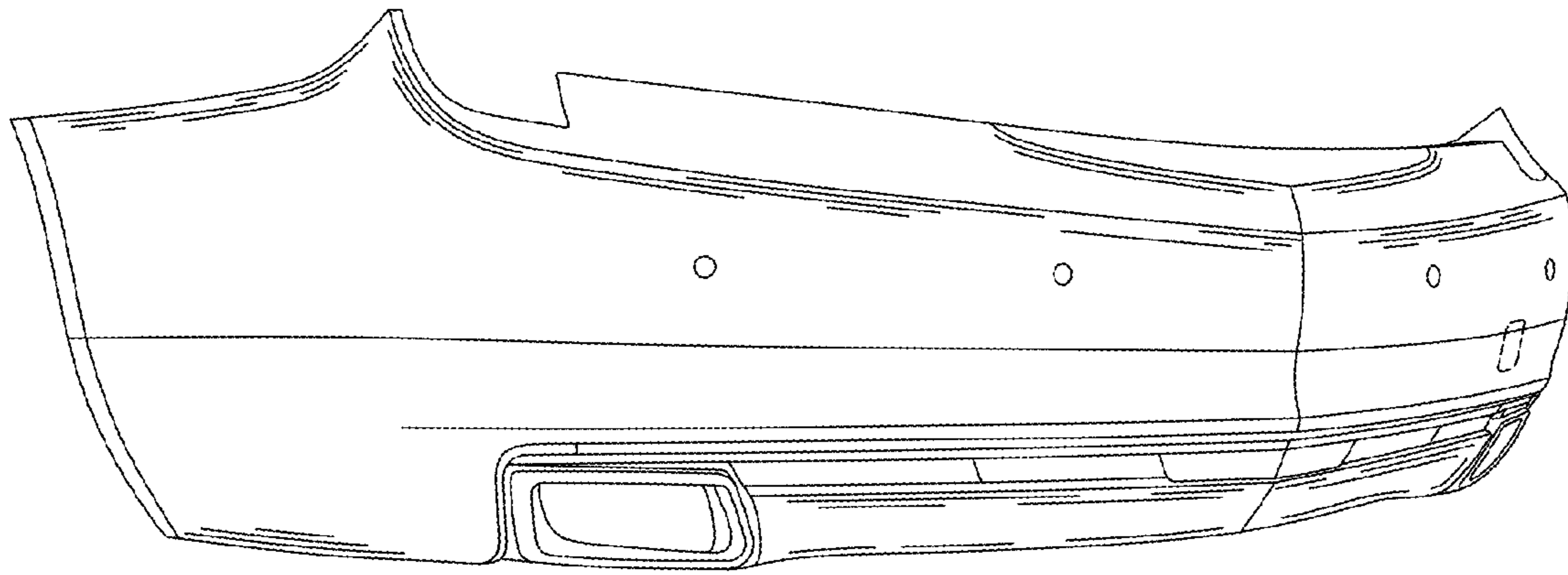


Fig-1

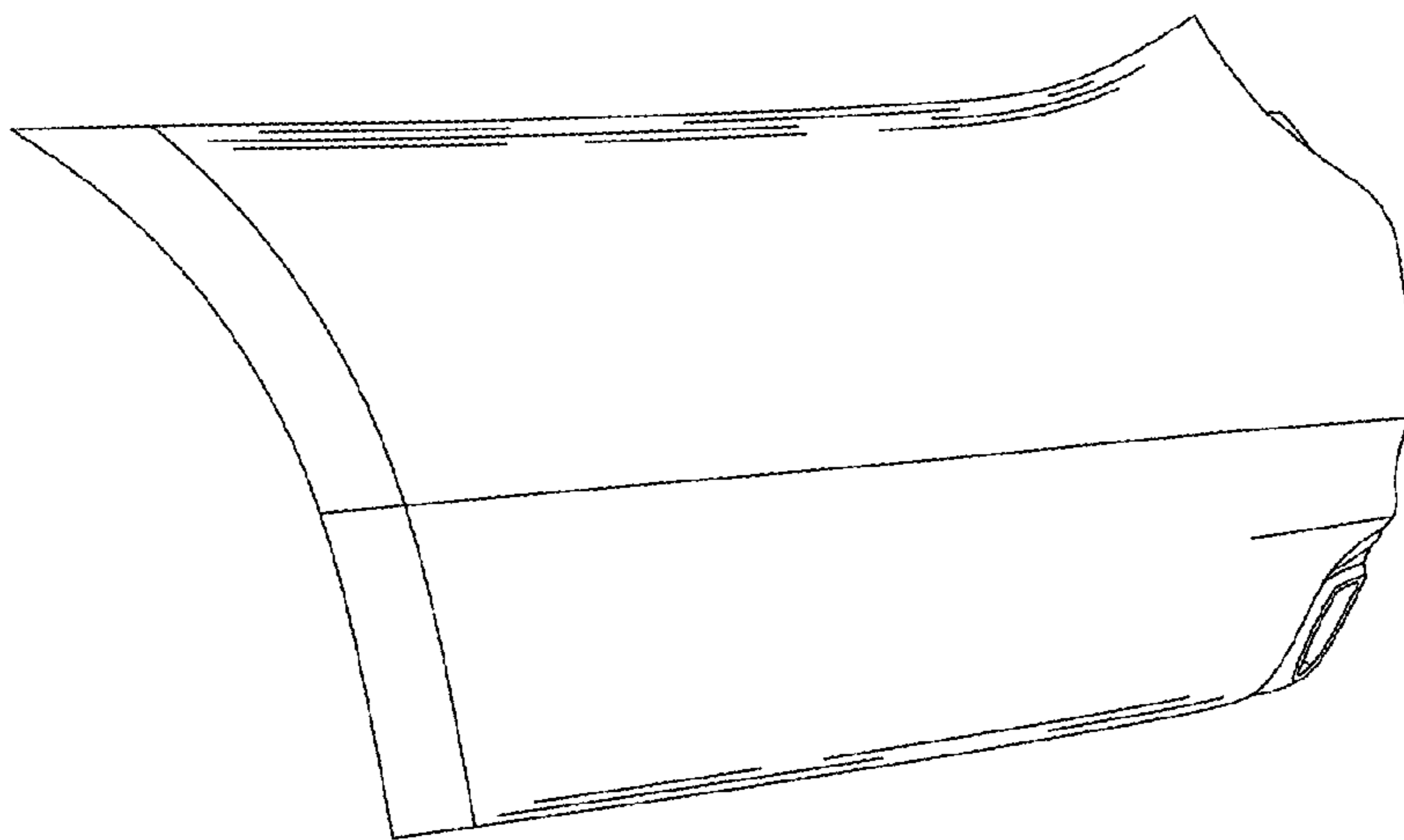


Fig-2

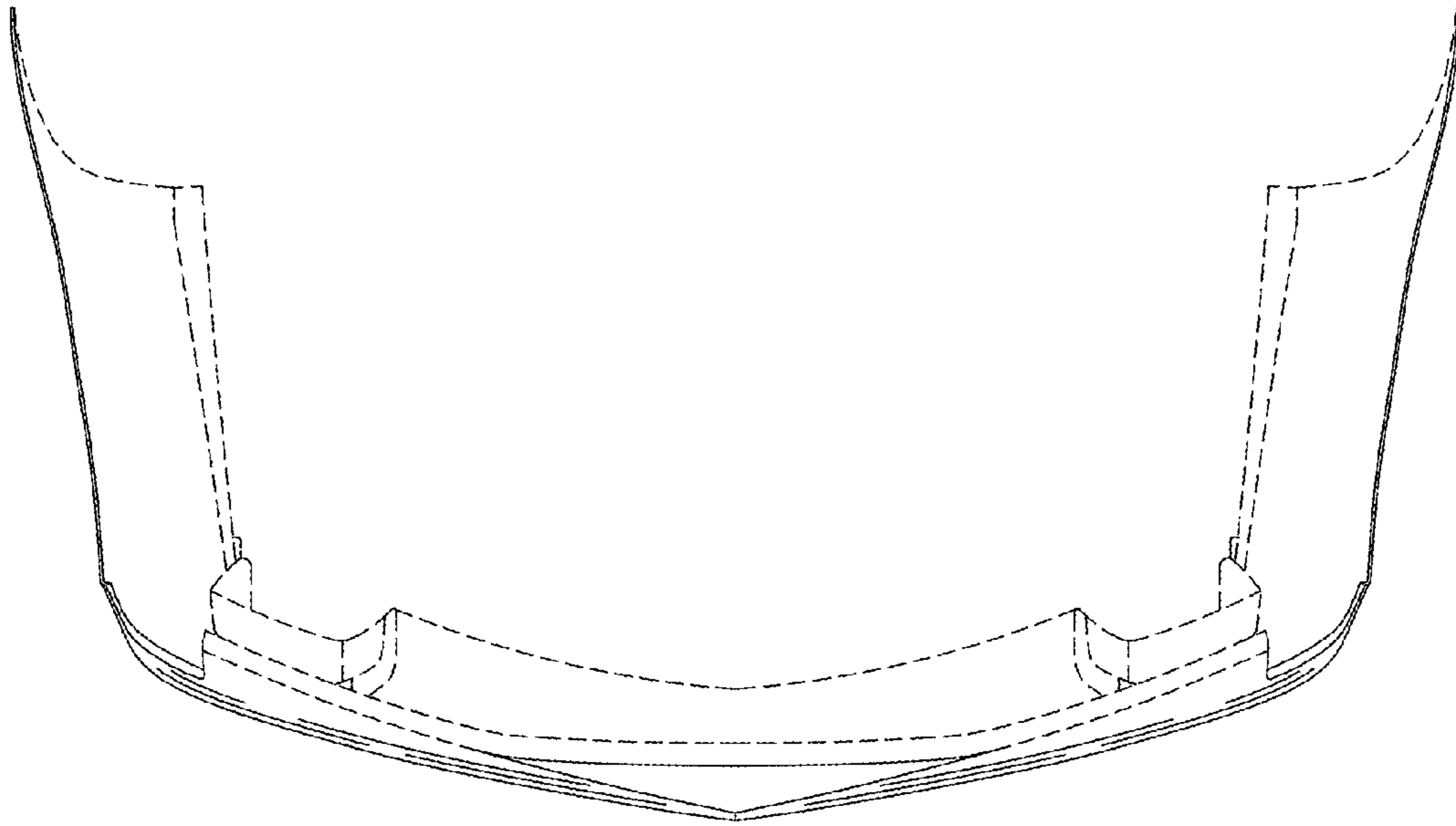


Fig-3

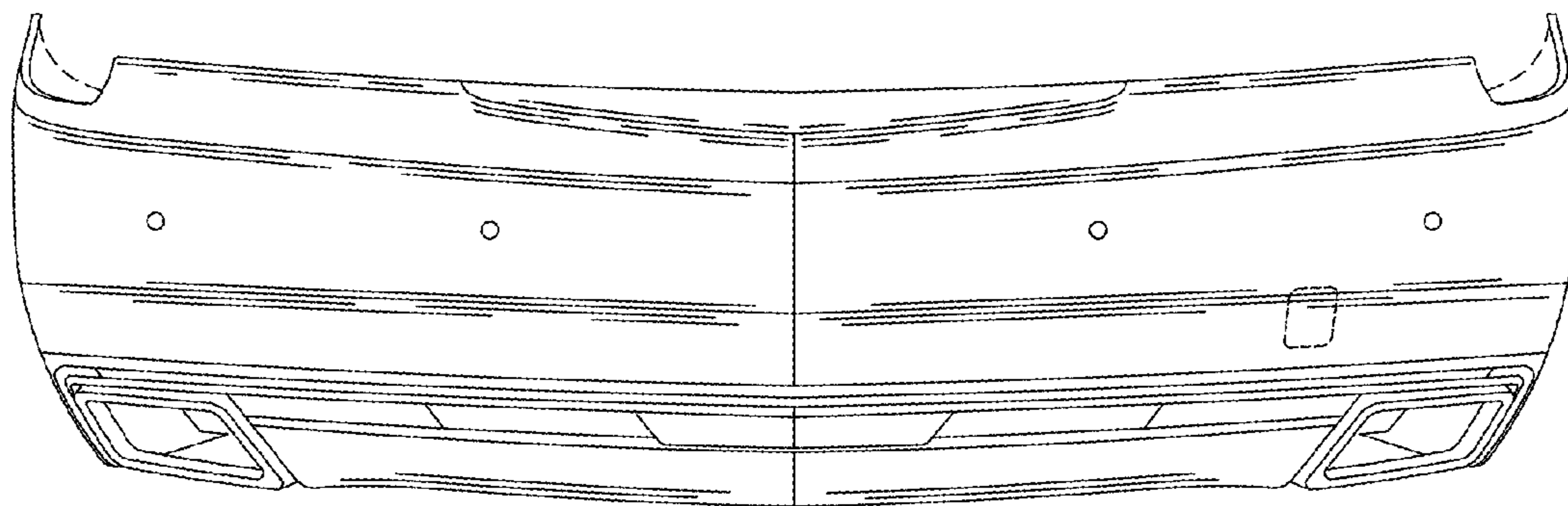


Fig-4