



US00D711293S

(12) **United States Design Patent**
Waterman et al.

(10) **Patent No.:** **US D711,293 S**

(45) **Date of Patent:** **** Aug. 19, 2014**

(54) **VEHICLE COMPONENT**

FOREIGN PATENT DOCUMENTS

(71) Applicant: **Jaguar Land Rover Limited**, Coventry (GB)

EM 0020000414-0002 * 2/2012

(72) Inventors: **Jeremy Waterman**, Coventry (GB);
Andrew Wheel, Coventry (GB)

OTHER PUBLICATIONS

(73) Assignee: **Jaguar Land Rover Limited** (GB)

Range Rover Sport Brochure, announced Mar. 26, 2013, [online], [site visited Dec. 4, 2013]. Available from Internet, <URL: http://www.landrover.com/us/en/lr/#>.*

(**) Term: **14 Years**

2012 Land Rover Range Rover Evoque, article date Dec. 2011, [online], [site visited Dec. 5, 2013]. Available from internet, <URL:http://www.motortrend.com/oftheyear/suv/1112_2012_suv_of_the_year_land_rover_range_rover_evoque/>.*

(21) Appl. No.: **29/466,420**

(Continued)

(22) Filed: **Sep. 6, 2013**

Primary Examiner — Eric Goodman

Assistant Examiner — Jennifer Watkins

(30) **Foreign Application Priority Data**

Mar. 8, 2013 (EM) 002199307

(74) *Attorney, Agent, or Firm* — Rader, Fishman & Grauer PLLC

(51) **LOC (10) Cl.** **12-16**

(52) **U.S. Cl.**
USPC **D12/163**

(57) **CLAIM**

The ornamental design for a vehicle component, as shown and described.

(58) **Field of Classification Search**
USPC D12/169, 196, 171, 163, 216, 90-92,
D12/86; 296/180.1, 180.2; 293/102, 113,
293/115, 117, 120; 180/68.1, 68.6
See application file for complete search history.

DESCRIPTION

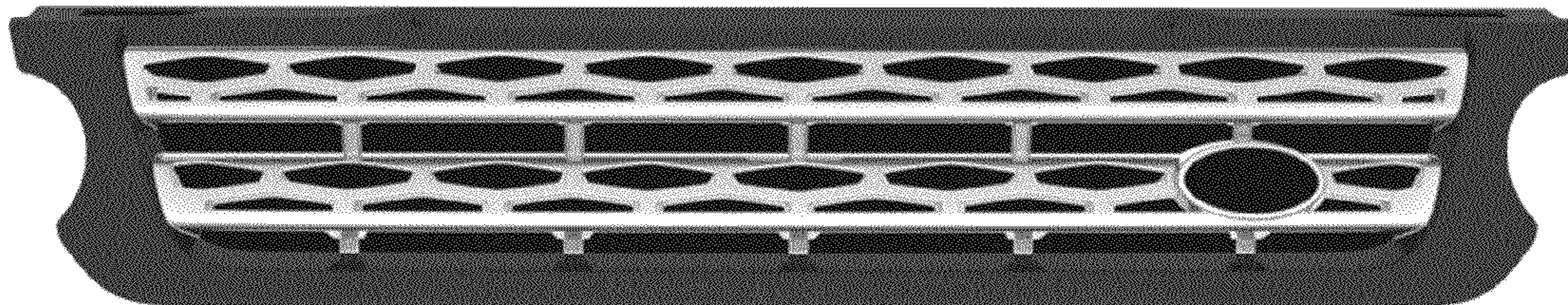
FIG. 1 is a left front perspective view of a vehicle component; FIG. 2 is a right front perspective view of a vehicle component; FIG. 3 is a left upper perspective view of a vehicle component; FIG. 4 is a right rear perspective view of a vehicle component; FIG. 5 is a upper front perspective view of a vehicle component; FIG. 6 is a front view of a vehicle component; FIG. 7 is a side view of a vehicle component; and, FIG. 8 is a perspective view of the vehicle component in the installed position on a vehicle. Portions of FIG. 8 that are shown as broken lines are for illustrative purpose only and form no part of the claimed design.

(56) **References Cited**

U.S. PATENT DOCUMENTS

D293,230 S *	12/1987	Kawaoka	D12/163
D401,185 S *	11/1998	McGovern	D12/91
D425,834 S *	5/2000	Sousamian	D12/163
D427,119 S *	6/2000	Sousamian	D12/163
D456,322 S *	4/2002	Horowitz	D12/163
D458,189 S *	6/2002	Wyatt	D12/91
D491,117 S *	6/2004	Hayashi	D12/163
D551,145 S *	9/2007	Canitano	D12/196
D598,819 S *	8/2009	Kim	D12/163
D607,785 S *	1/2010	Walter et al.	D12/163
D626,897 S *	11/2010	Ectors et al.	D12/163
D633,832 S *	3/2011	Matei et al.	D12/163
D689,414 S *	9/2013	Endo	D12/163
2013/0175813 A1 *	7/2013	Mana et al.	293/120

1 Claim, 5 Drawing Sheets



(56)

References Cited

motortrend.com/roadtests/suvs/1211_2013_range_rover_first_

OTHER PUBLICATIONS

drive/>.*

2013 Land Rover Range Rover, article date Nov. 2012, [online], [site visited Dec. 5, 2013]. Available from internet, <URL: <http://www>.

* cited by examiner

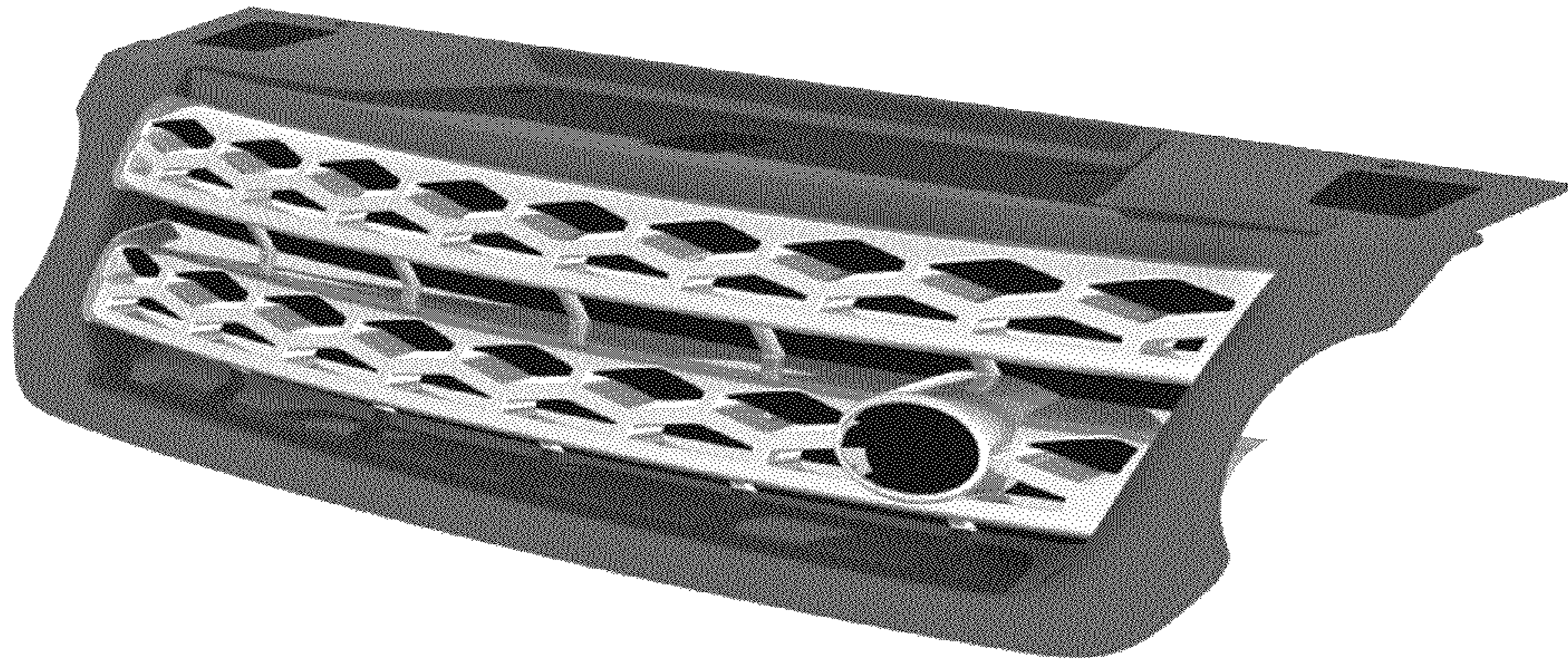


FIG. 1

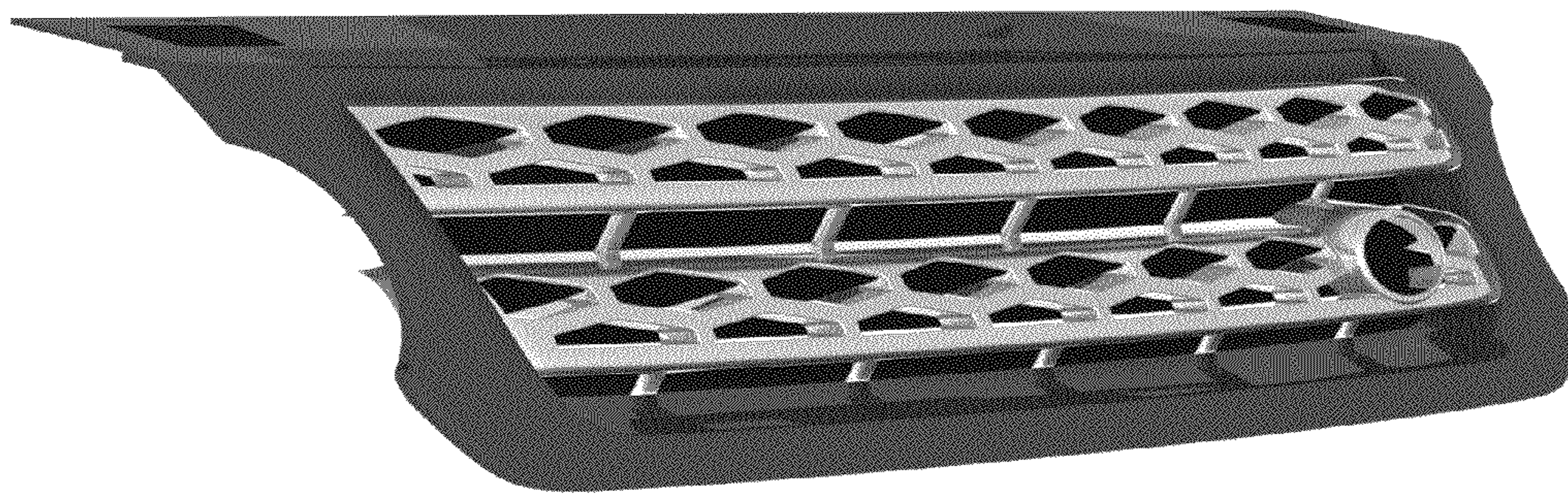


FIG. 2

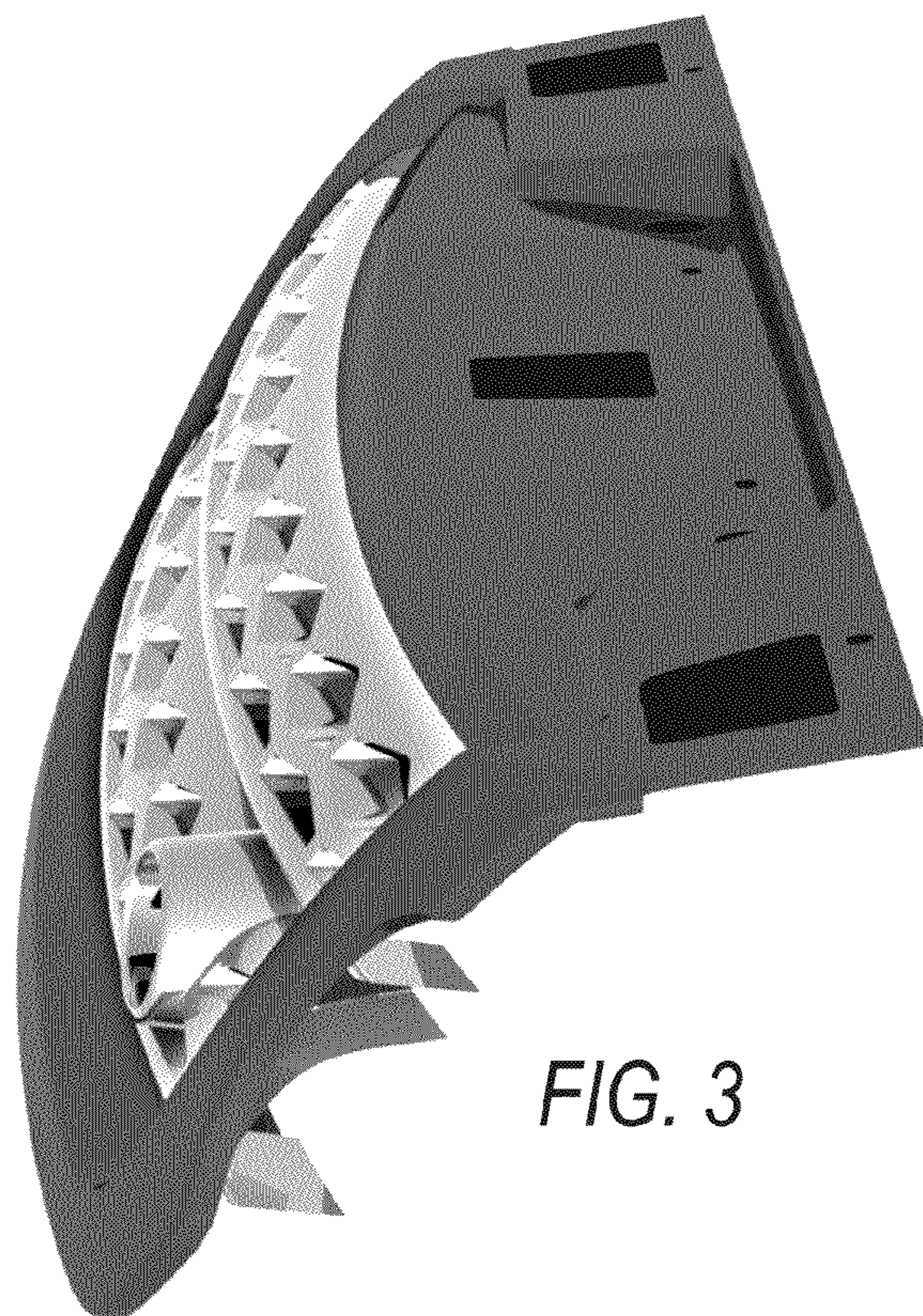


FIG. 3

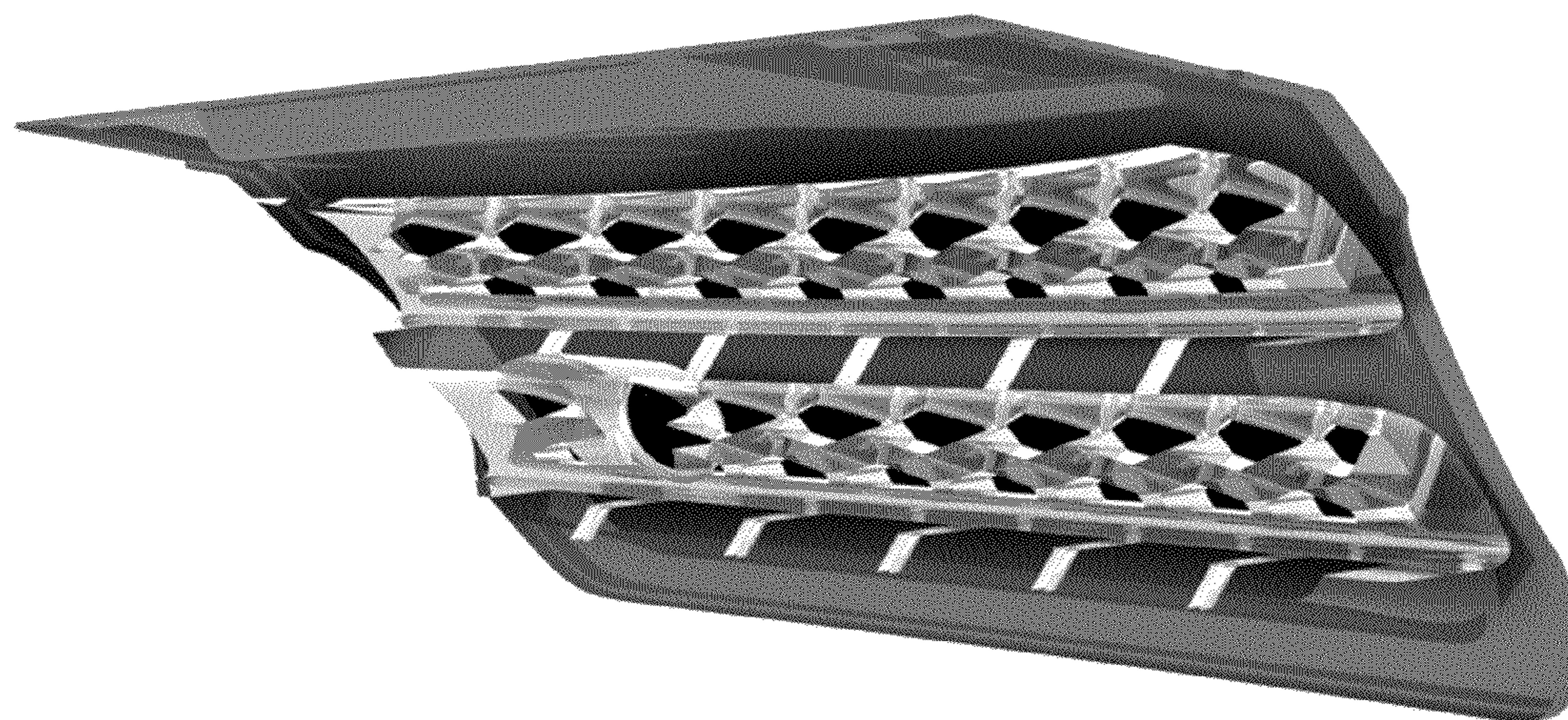


FIG. 4

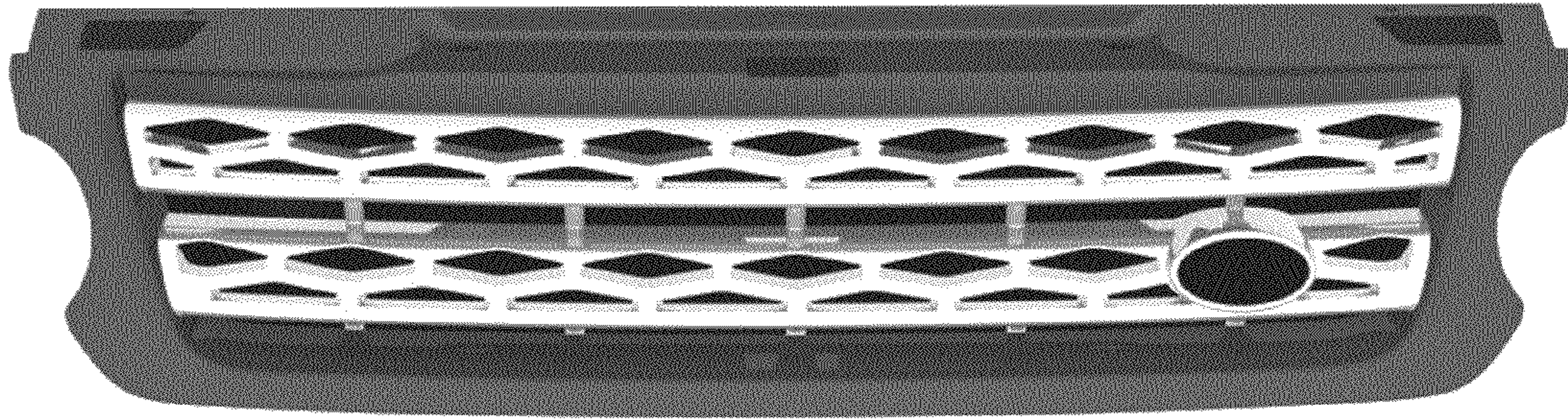


FIG. 5

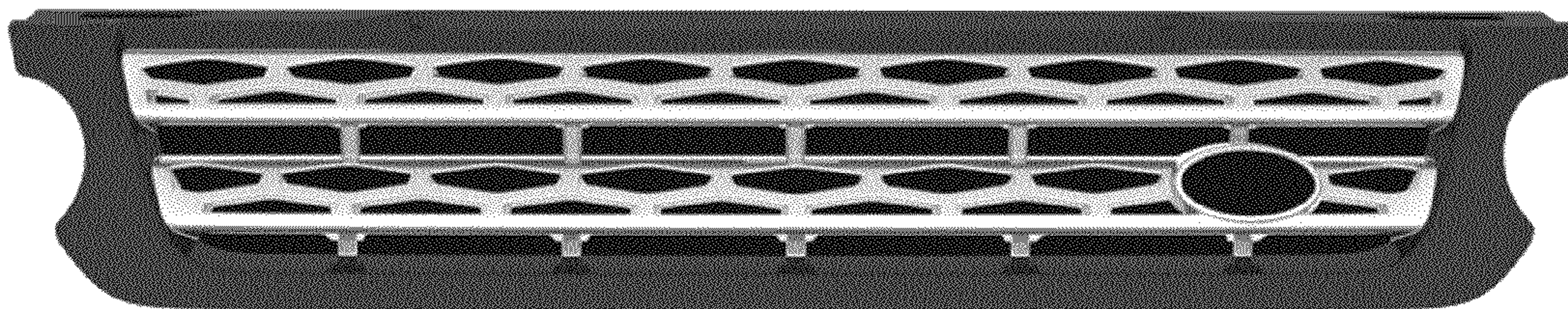


FIG. 6

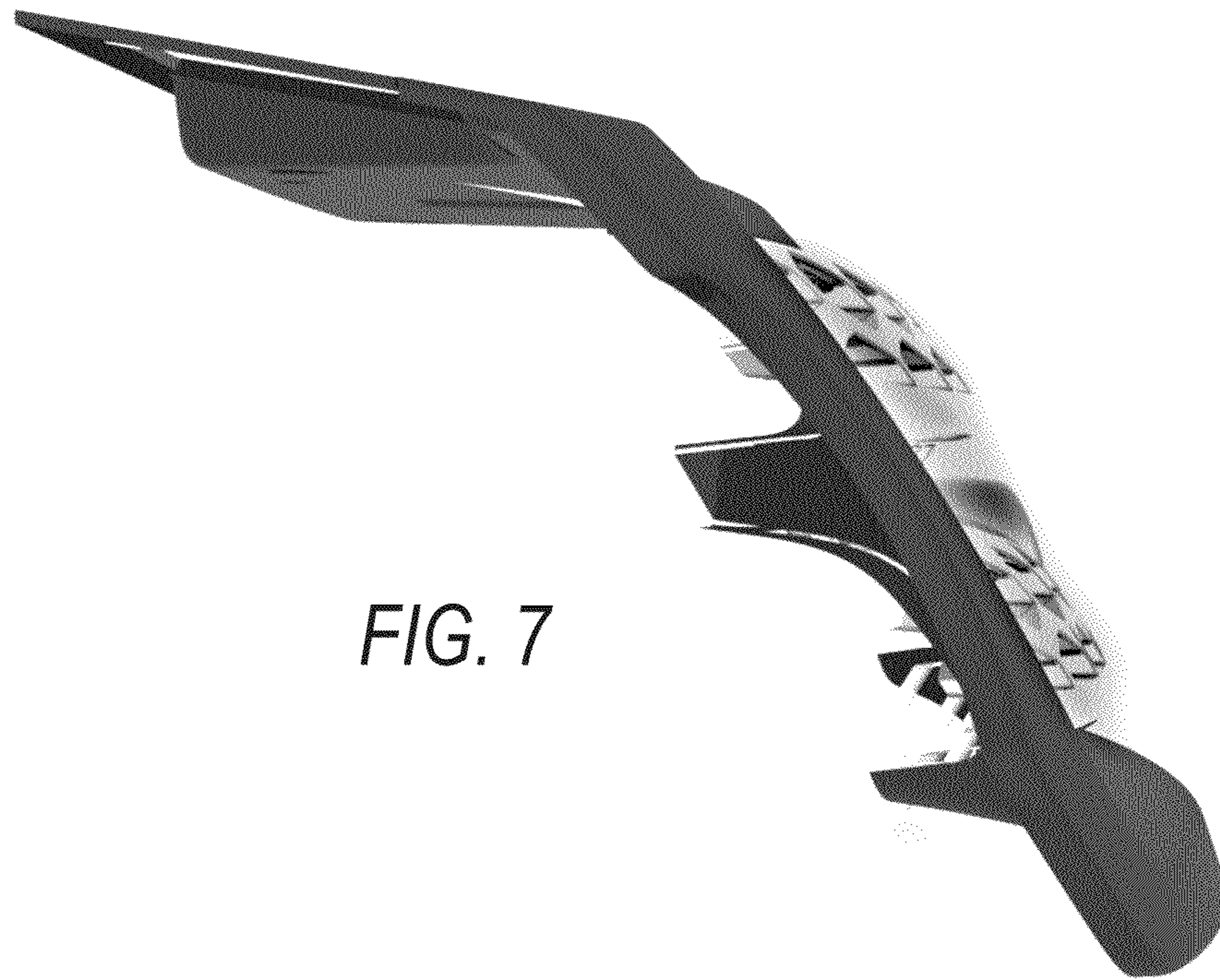


FIG. 7

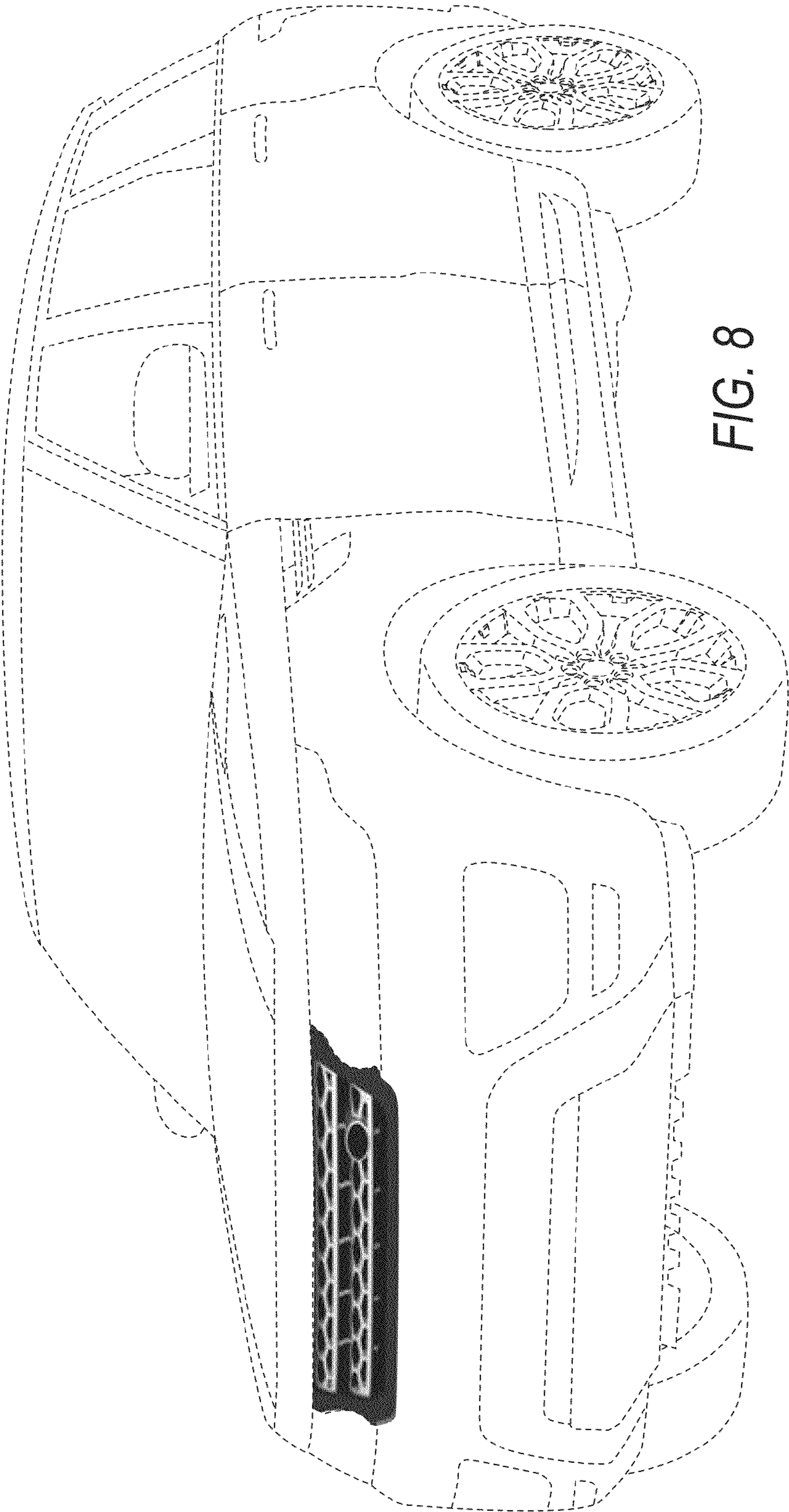


FIG. 8