



US00D711292S

(12) **United States Design Patent**
Sarajian et al.

(10) **Patent No.:** **US D711,292 S**

(45) **Date of Patent:** **** Aug. 19, 2014**

(54) **HITCH COVER**

(75) Inventors: **Kissak T. Sarajian**, Brookfield, WI
(US); **Chad M. Cushman**, Racine, WI
(US)

(73) Assignee: **Trik Topz**, Cerritos, CA (US)

(**) Term: **14 Years**

(21) Appl. No.: **29/431,639**

(22) Filed: **Sep. 10, 2012**

(51) **LOC (10) Cl.** **12-16**

(52) **U.S. Cl.**
USPC **D12/162**

(58) **Field of Classification Search**
USPC D12/162, 159, 160, 161; 56/DIG. 14;
37/399; 280/406.2, 407, 407.1, 408,
280/411.1, 416.1, 416.2, 416.3, 418, 418.1,
280/433, 434, 435, 441.1, 441.2, 455.1,
280/456.1, 480, 493, 504, 507, 508;
224/42.11, 42.12, 42.14, 42.26, 400,
224/401, 412, 413, 488, 494, 500-501, 519,
224/537; 135/88.05; 150/166
See application file for complete search history.

(56) **References Cited**

U.S. PATENT DOCUMENTS

3,552,775	A	1/1971	Warner	
5,873,594	A *	2/1999	McCoy et al.	280/491.5
6,010,142	A *	1/2000	McCoy et al.	280/490.1
6,079,136	A	6/2000	Kozlarek	
D433,358	S	11/2000	McBroom	
6,199,892	B1	3/2001	Dahl	
D444,433	S	7/2001	McBroom et al.	

6,463,686	B1	10/2002	Eisenbraun	
D471,137	S	3/2003	Shepherd et al.	
6,553,697	B1	4/2003	Pichan	
6,554,171	B1	4/2003	Ewing, III	
D475,327	S *	6/2003	McCoy et al.	D12/162
6,581,954	B2	6/2003	Chadwick	
6,834,879	B1	12/2004	Lorman	
6,896,282	B1 *	5/2005	McKinley	280/495

(Continued)

OTHER PUBLICATIONS

Trailer Hitch Cover, Trailer Hitch Product Sheet, Road Sport Inc.,
Oct. 8, 2008.

(Continued)

Primary Examiner — Katrina A Betton

(74) *Attorney, Agent, or Firm* — Michael Best & Friedrich
LLP

(57) **CLAIM**

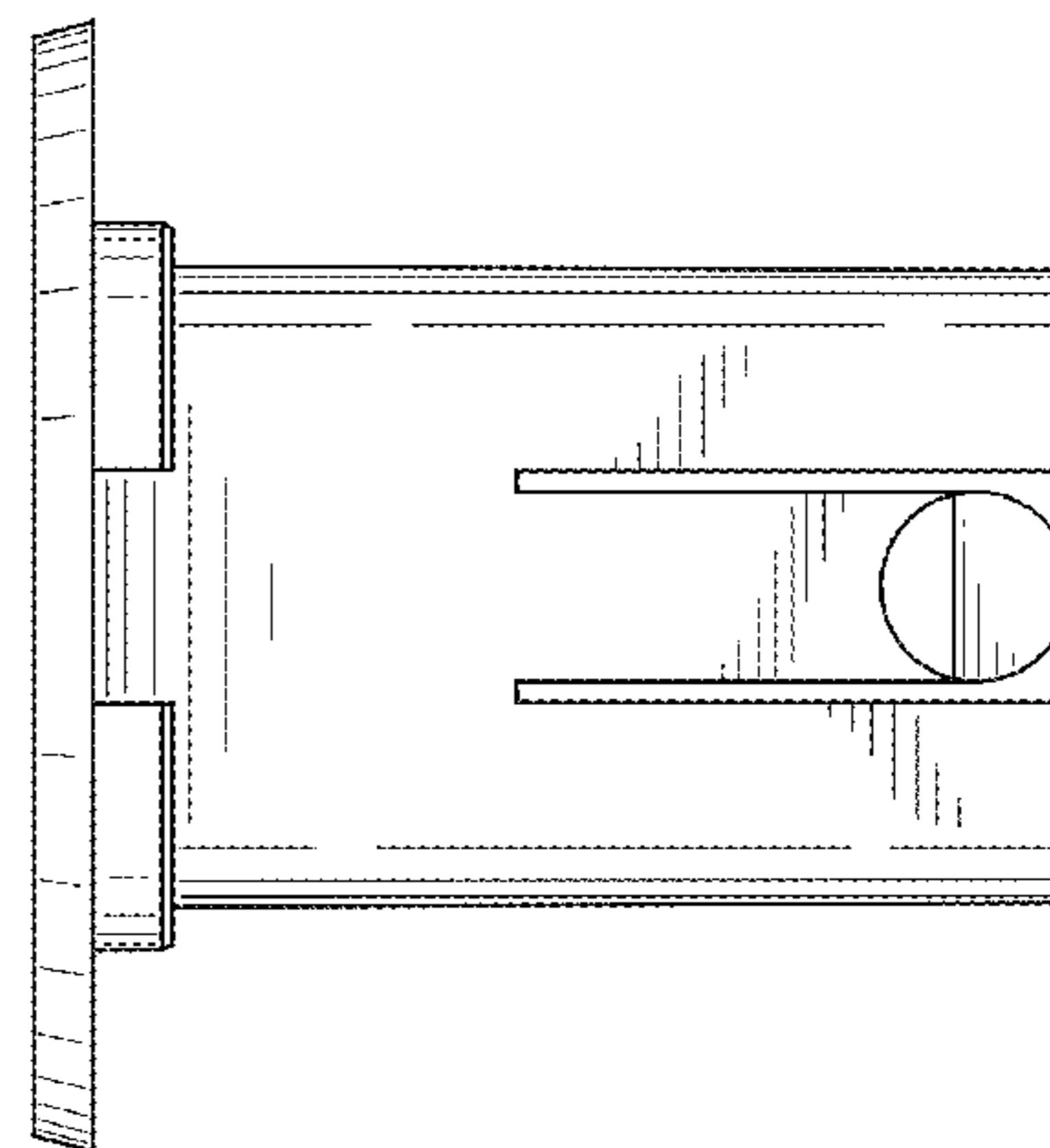
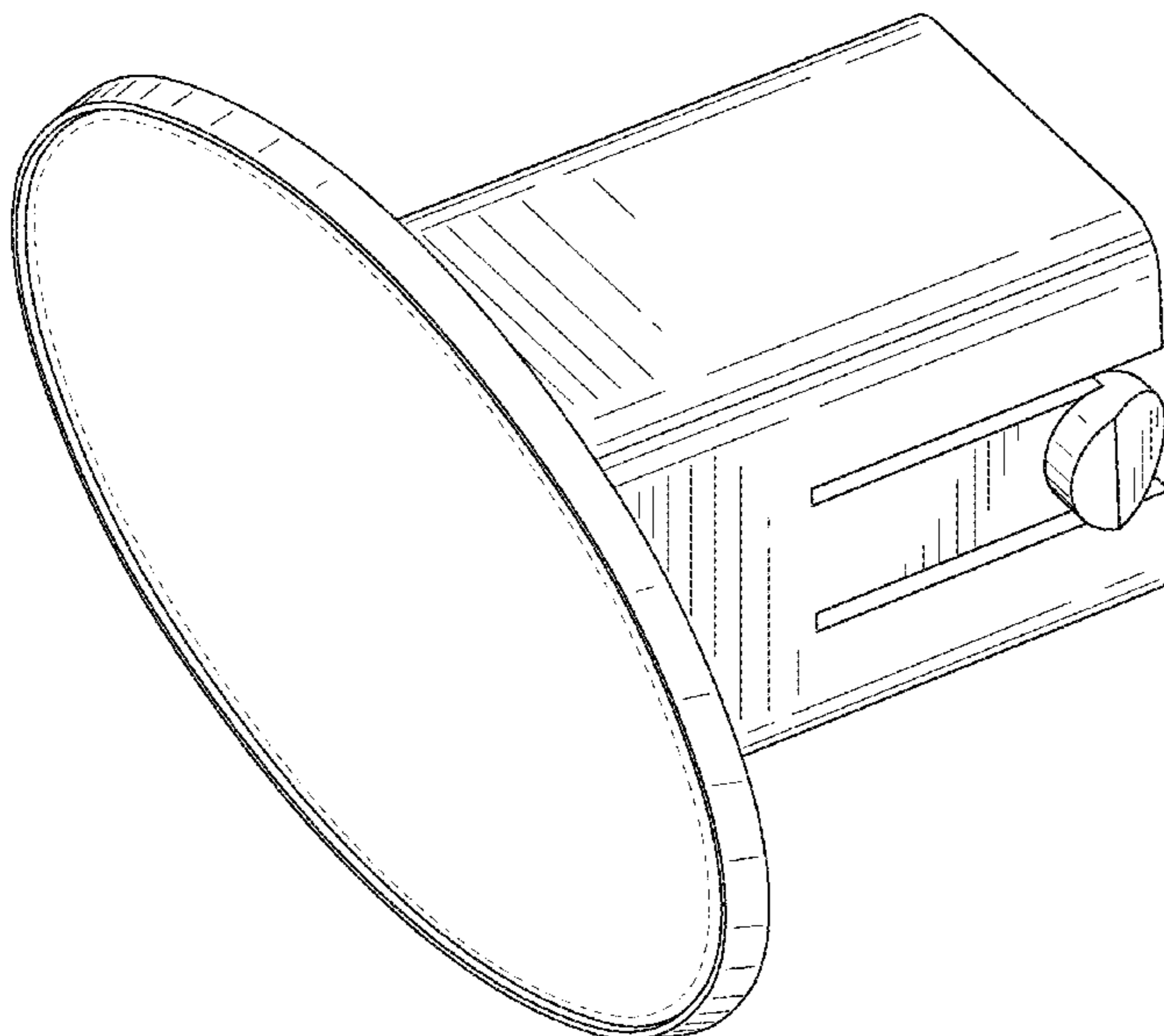
We claim the ornamental design for a hitch cover, as shown
and described.

DESCRIPTION

FIG. 1 is a perspective view of a hitch cover embodying the
invention.

FIG. 2 is a front side view of the hitch cover shown in FIG. 1.
FIG. 3 is a back side view of the hitch cover shown in FIG. 1.
FIG. 4 is a left side view of the hitch cover shown in FIG. 1.
FIG. 5 is a right side view of the hitch cover shown in FIG. 1.
FIG. 6 is a top view of the hitch cover shown in FIG. 1; and,
FIG. 7 is a bottom view of the hitch cover shown in FIG. 1.
The elements shown in broken lines are included for the
purpose of illustrating environment and form no part of the
claimed design.

1 Claim, 4 Drawing Sheets



(56)

References Cited

2007/0187447 A1* 8/2007 Hamann 224/519

U.S. PATENT DOCUMENTS

6,908,096 B2 6/2005 Lewis et al.
6,945,551 B2 9/2005 Blake
D553,548 S 10/2007 Douglas
7,600,774 B1 10/2009 Speer et al.
7,717,455 B2 5/2010 Morris
7,784,813 B2 8/2010 Columbia
2002/0033587 A1 3/2002 McConnell
2004/0046361 A1 3/2004 Lewis et al.
2005/0067812 A1* 3/2005 Moss et al. 280/416.1
2006/0209549 A1 9/2006 Valdez

OTHER PUBLICATIONS

Replacement 1¼" and 2" Backing for CR-xxx Hitch Covers, Pilot, Retrieved from Internet on Apr. 4, 2012 <URL: <http://www.etrailer.com/Accessories-and-Parts/Pilot-Automotive/CR-2IN.html>>.
SportRack A20603 3 Bike Hgch Rack fits bot 2" and 1.25" Hitch Receivers. Datasheet [online] Proline Products, Inc. (retrieved on Jul. 25, 2008). Retrieved from the Internet<URL <http://www.prolinerackes.com/SportRack-A30603-hitch-3bike-rack.html>>.

* cited by examiner

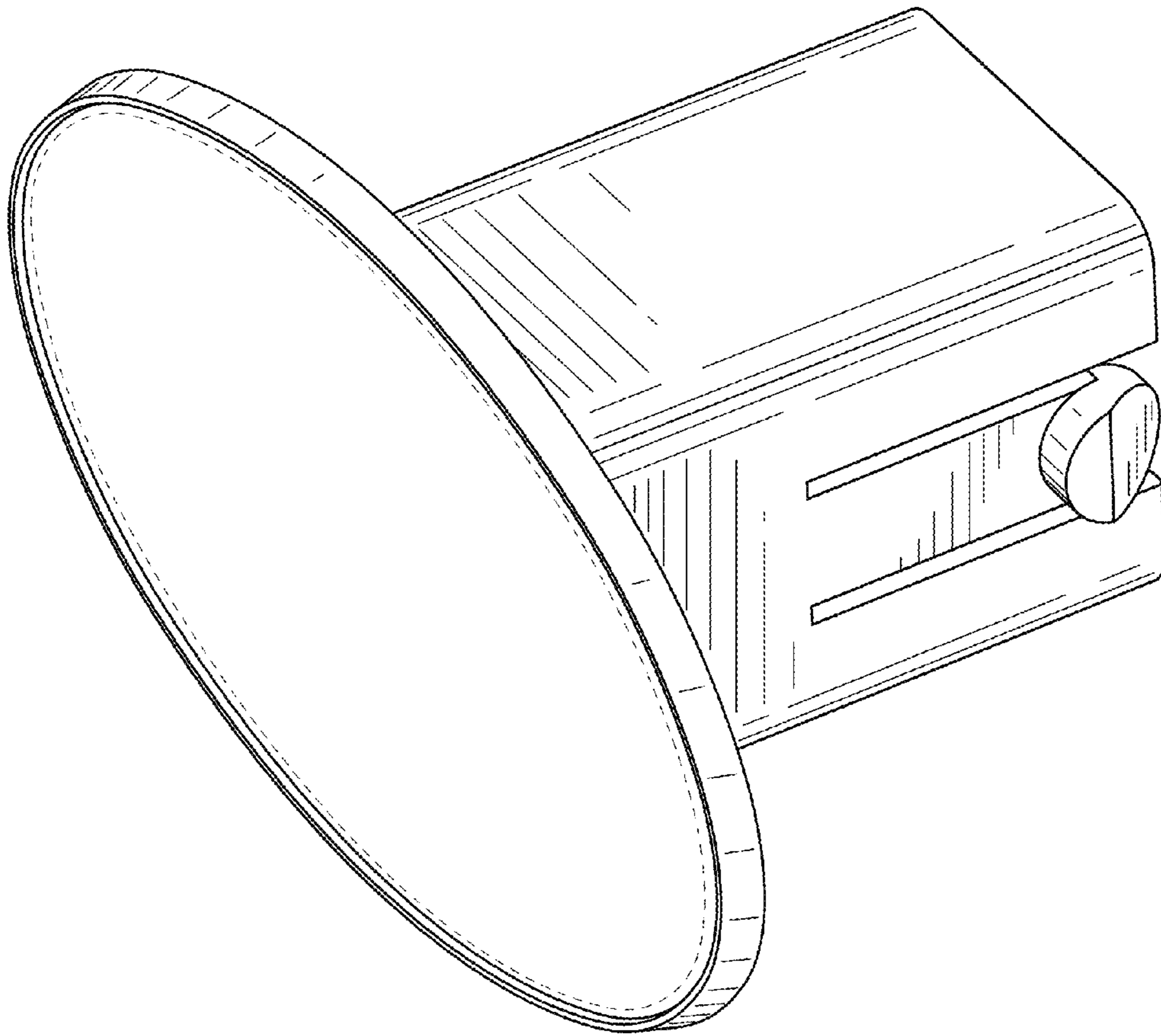


FIG. 1

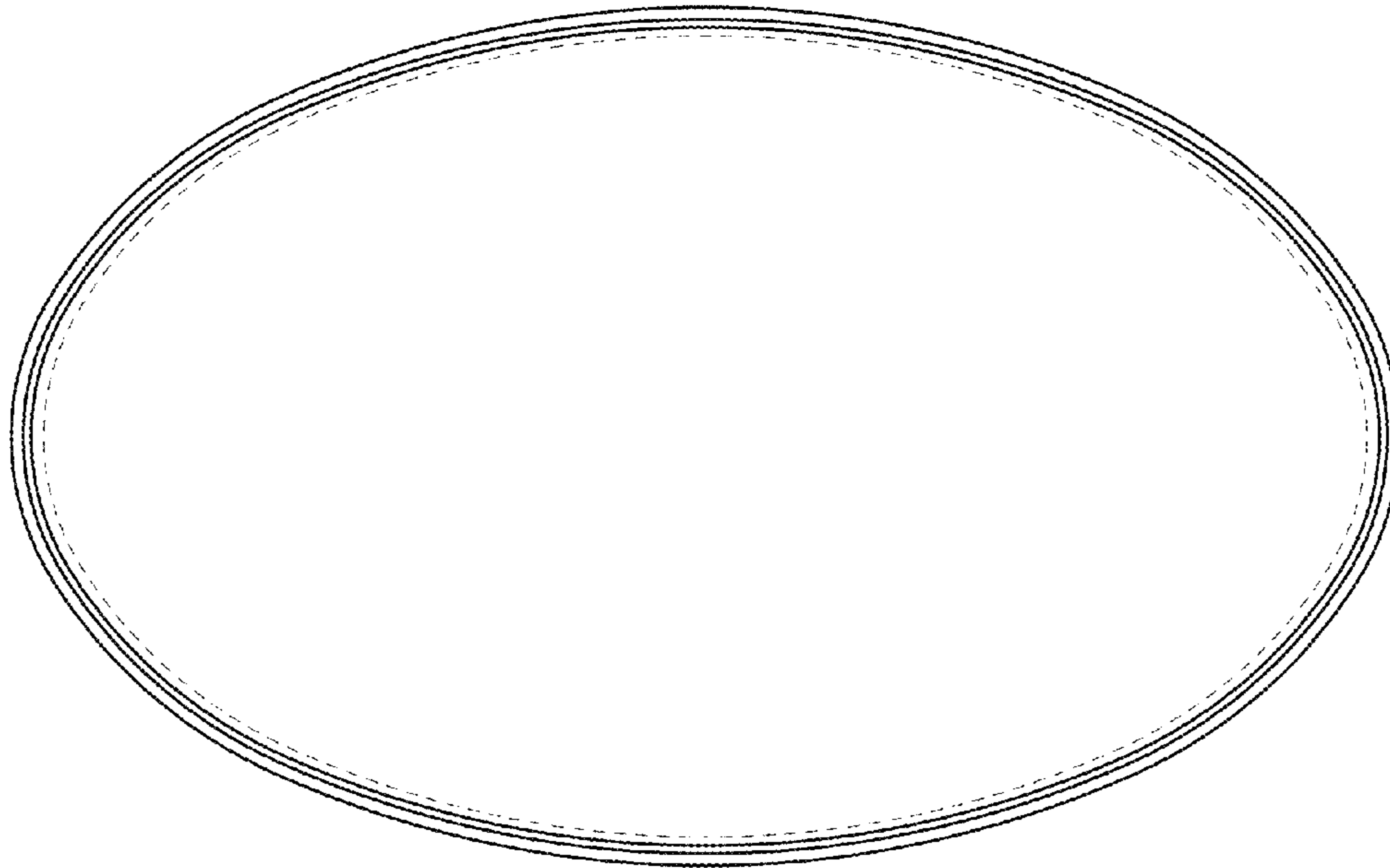


FIG. 2

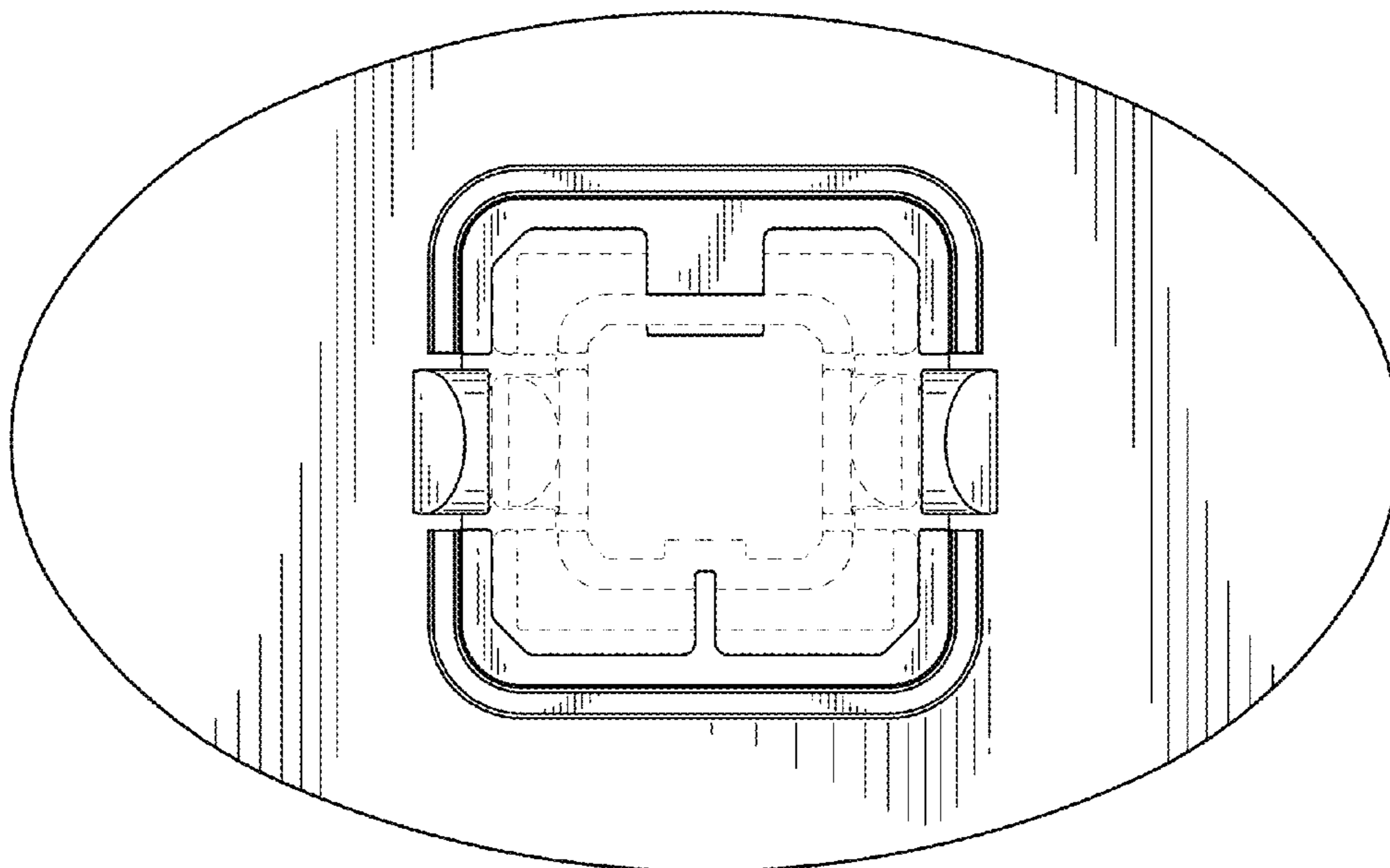


FIG. 3

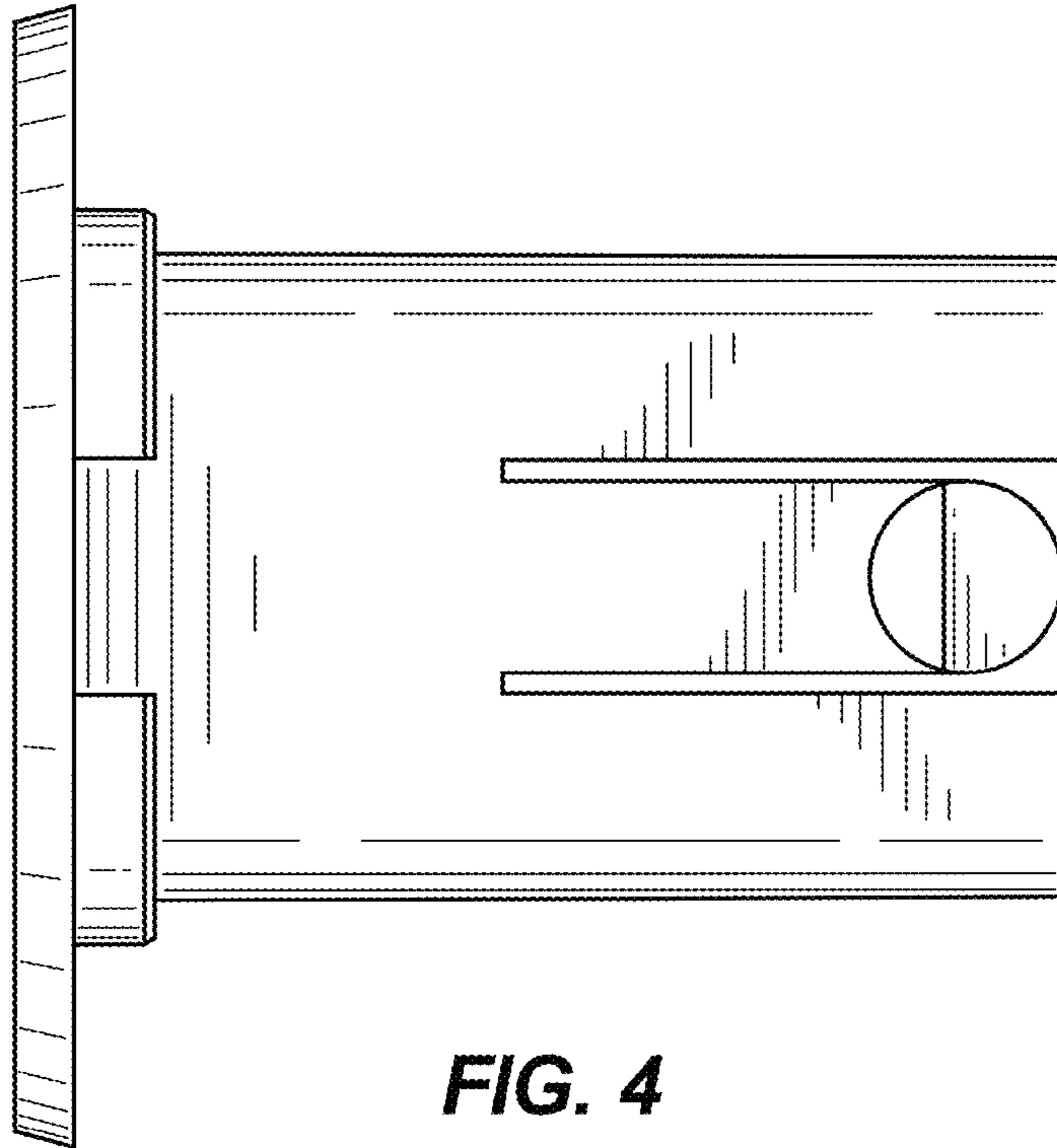


FIG. 4

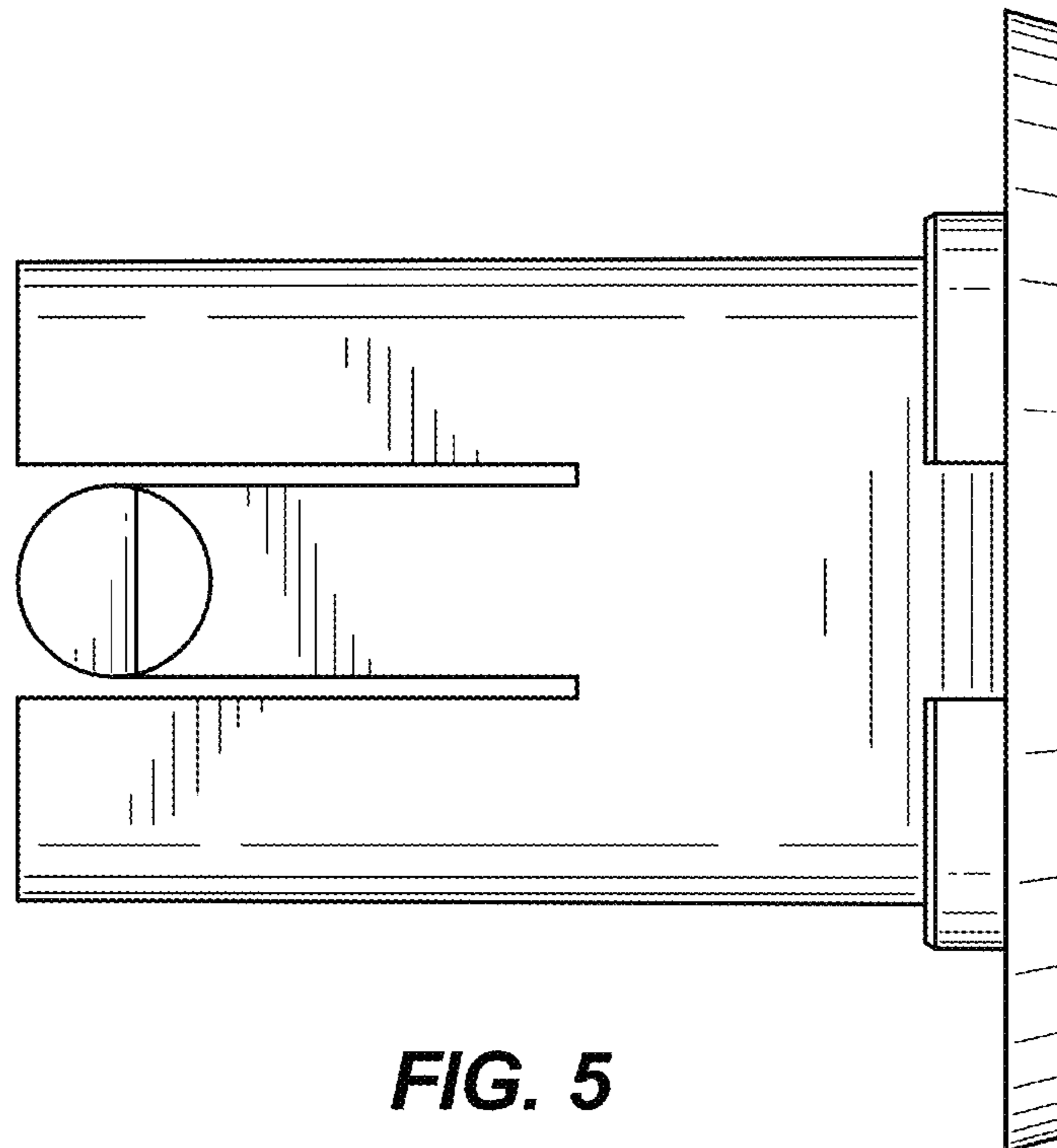


FIG. 5

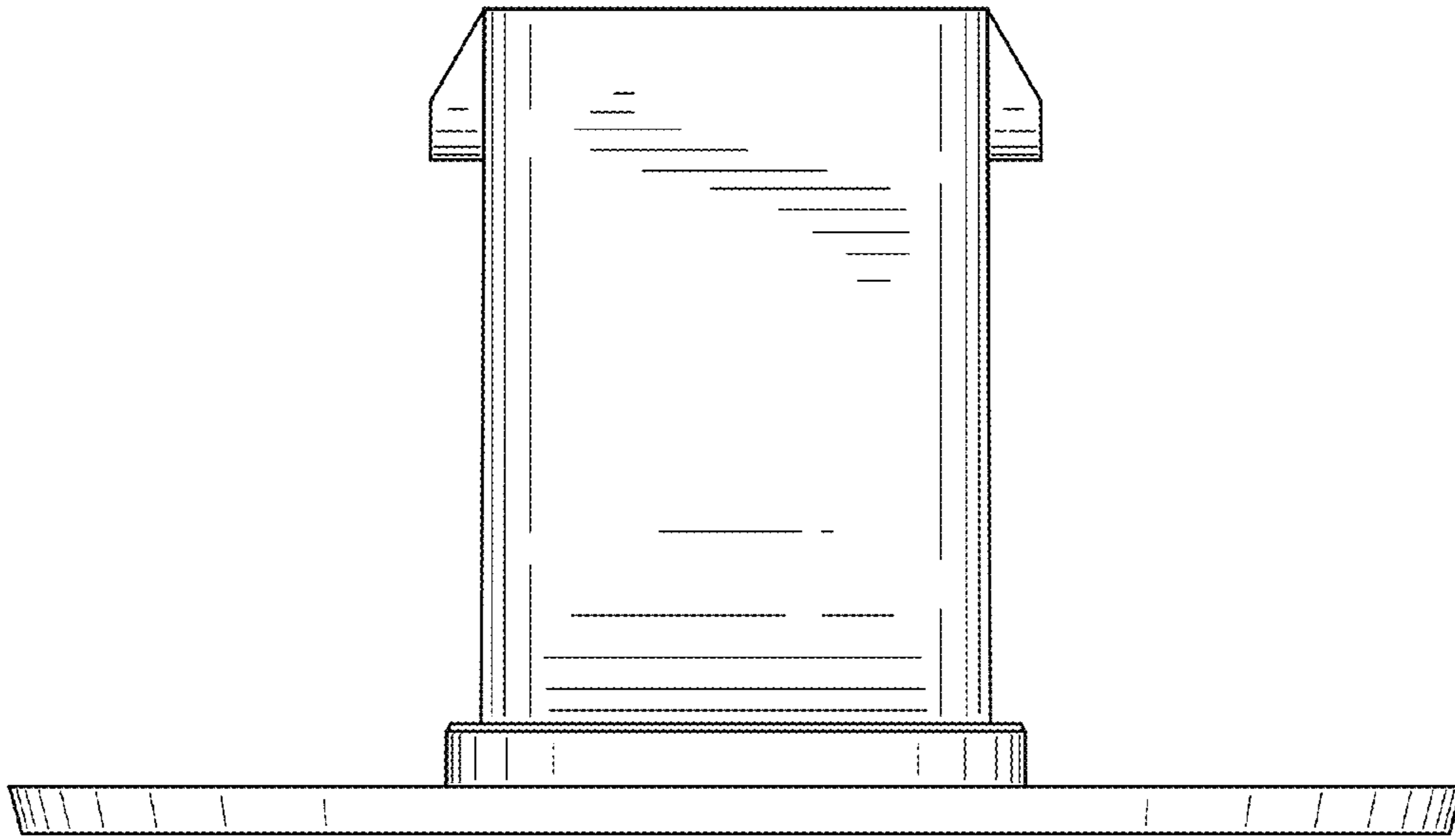


FIG. 6

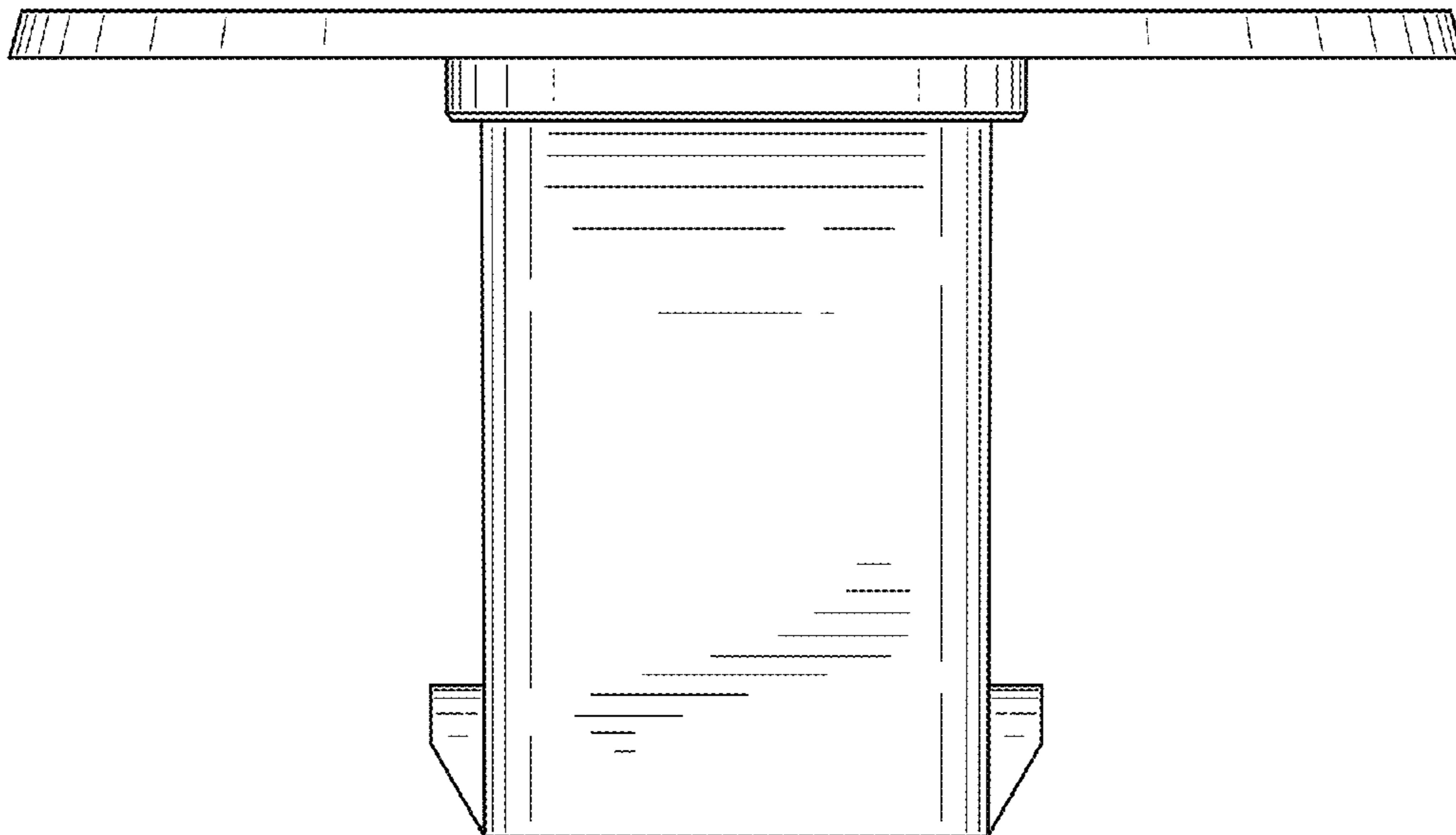


FIG. 7