



US00D711291S

(12) **United States Design Patent**
Futamata et al.

(10) **Patent No.:** **US D711,291 S**
(45) **Date of Patent:** **** Aug. 19, 2014**

(54) **FRONT SIDE COWL FOR A MOTORCYCLE**

(71) Applicant: **Honda Motor Co., Ltd.**, Tokyo (JP)

(72) Inventors: **Takeshi Futamata**, Wako (JP); **Akiko Sakai**, Wako (JP)

(73) Assignee: **Honda Motor Co., Ltd.**, Tokyo (JP)

(**) Term: **14 Years**

(21) Appl. No.: **29/477,645**

(22) Filed: **Dec. 24, 2013**

(30) **Foreign Application Priority Data**

Jun. 27, 2013 (JP) 2013-014622

(51) **LOC (10) Cl.** **12-11**

(52) **U.S. Cl.**
USPC **D12/114**

(58) **Field of Classification Search**
USPC 280/304.3, 835, 288.4, 291, 166, 304.4,
280/770, 850; D12/126, 186, 114, 218,
D12/182, 110, 196, 402, 117, 107, 125, 432,
D12/538; D6/354; 248/284.1, 354.3;
180/309, 68.1, 229, 219, 68.4, 288,
180/230, 228; 297/195.1, 215.12, 383,
297/423.42; 224/413; 403/4, 234;
123/195 A; 362/473; 182/91; 293/105;
23/184.21, 184.36, 198 E; 192/48.9, 83;
296/78.1, 66, 37.12, 75

See application file for complete search history.

(56) **References Cited**

U.S. PATENT DOCUMENTS

D321,849 S * 11/1991 Abe et al. D12/110
D325,363 S * 4/1992 Yamada et al. D12/110
D341,798 S * 11/1993 Murata et al. D12/110
D384,601 S * 10/1997 Hiruma et al. D12/110
D457,108 S * 5/2002 Tsukui et al. D12/110

D457,836 S * 5/2002 Kohama et al. D12/110
D485,216 S * 1/2004 Yamamoto et al. D12/126
D496,309 S * 9/2004 Fukumoto et al. D12/110
D497,330 S * 10/2004 Fukuyama et al. D12/110
D504,844 S * 5/2005 Sasanami D12/110
D515,985 S * 2/2006 Kishi et al. D12/126
D517,956 S * 3/2006 Kishi et al. D12/110
D522,415 S * 6/2006 Tanaka et al. D12/126
D549,618 S * 8/2007 Miyata D12/110
D582,822 S * 12/2008 Watanabe et al. D12/186
D596,083 S * 7/2009 Watanabe et al. D12/110
D605,090 S * 12/2009 Tanaka et al. D12/110
D606,906 S * 12/2009 Chosa D12/110
D632,226 S * 2/2011 Miyata D12/110
D660,202 S * 5/2012 Petersson et al. D12/126
D674,323 S * 1/2013 Tokumura et al. D12/126
D684,506 S * 6/2013 Kobayashi D12/126
D690,625 S * 10/2013 Futamata et al. D12/126
D694,157 S * 11/2013 Katagiri et al. D12/126
D695,157 S * 12/2013 Tsukui et al. D12/126

* cited by examiner

Primary Examiner — Eric Goodman

Assistant Examiner — Ryan Harvey

(74) *Attorney, Agent, or Firm* — Birch, Stewart, Kolasch & Birch, LLP

(57) **CLAIM**

The ornamental design for, a front side cowl for a motorcycle, as shown and described.

DESCRIPTION

FIG. 1 is a front perspective view of a front side cowl for a motorcycle, showing our new design;
FIG. 2 is a front elevation view thereof;
FIG. 3 is a top plan view thereof;
FIG. 4 is a bottom plan view thereof;
FIG. 5 is a right side elevation view thereof; and,
FIG. 6 is a left side elevation view thereof.
The broken lines illustrate portions of the article that form no part of the claimed design.

1 Claim, 5 Drawing Sheets

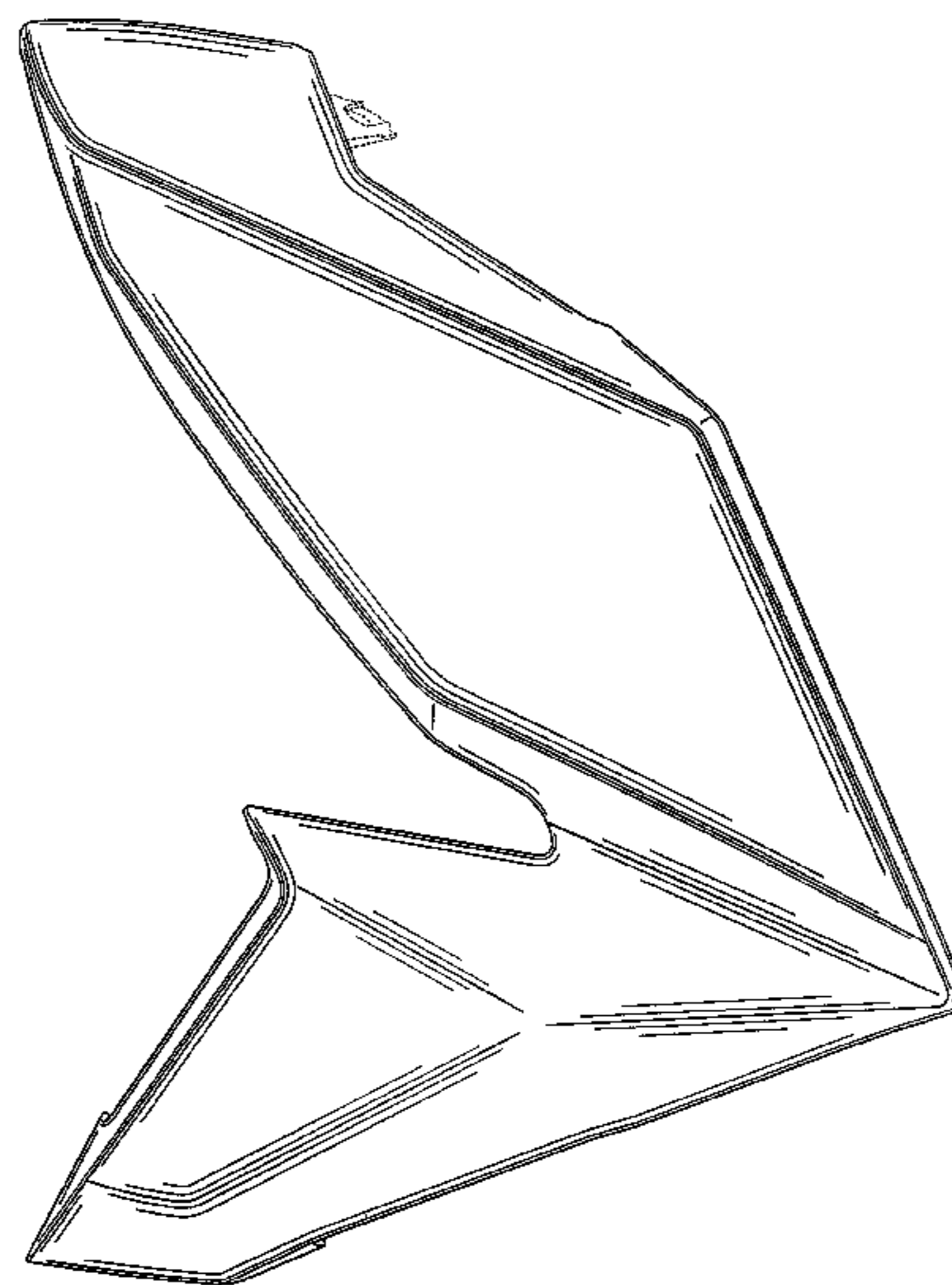
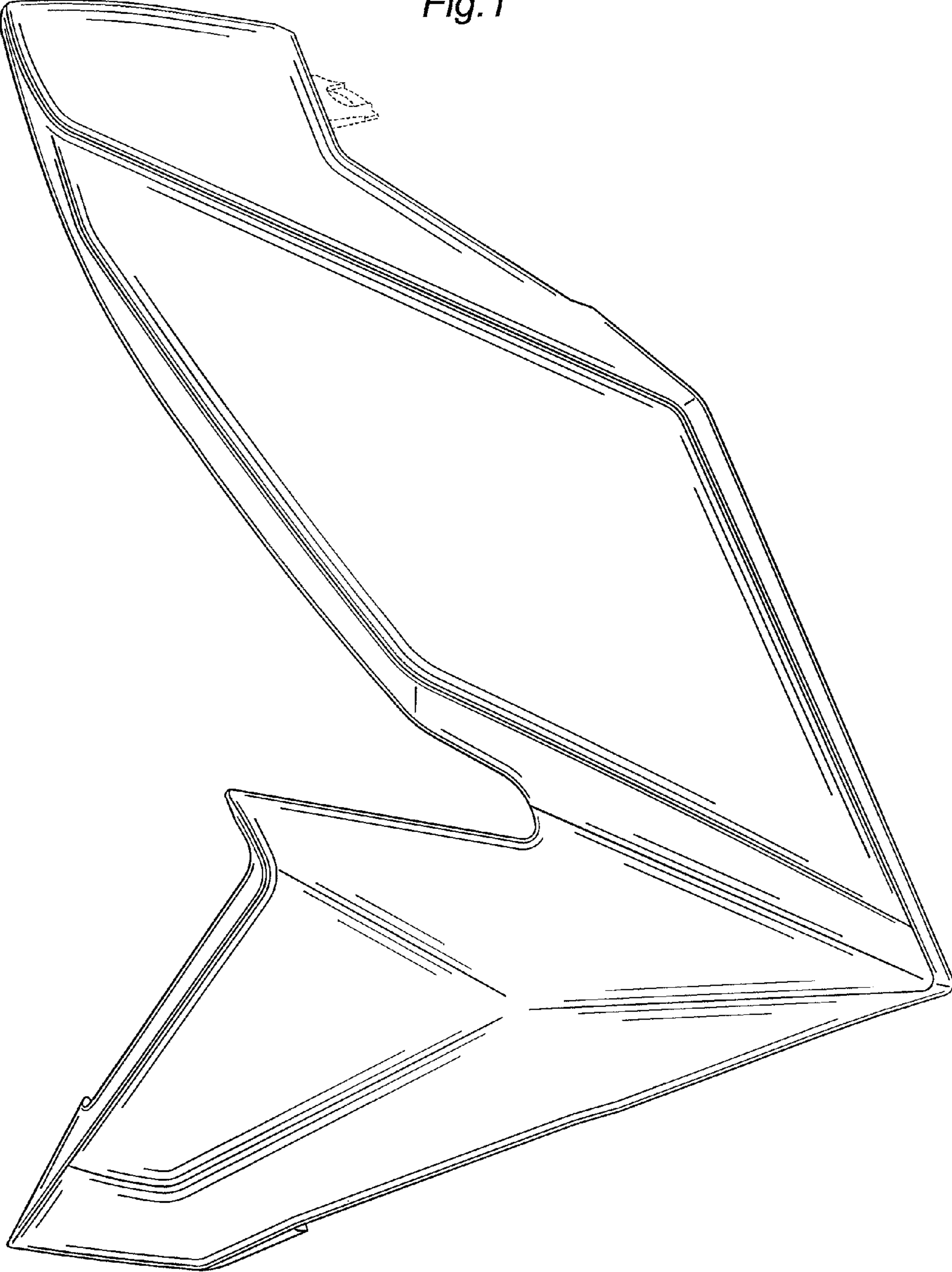


Fig. 1



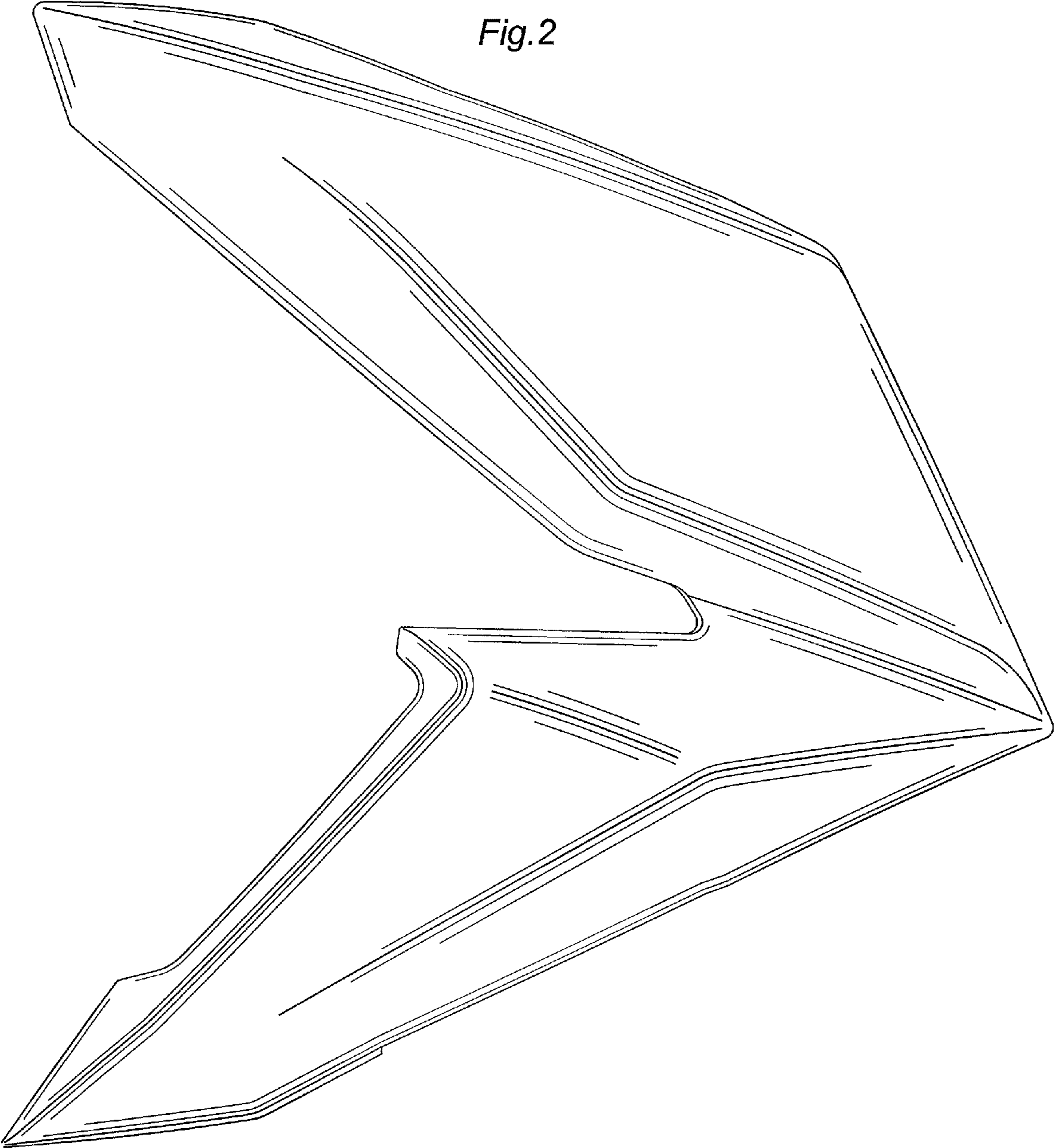


Fig.3

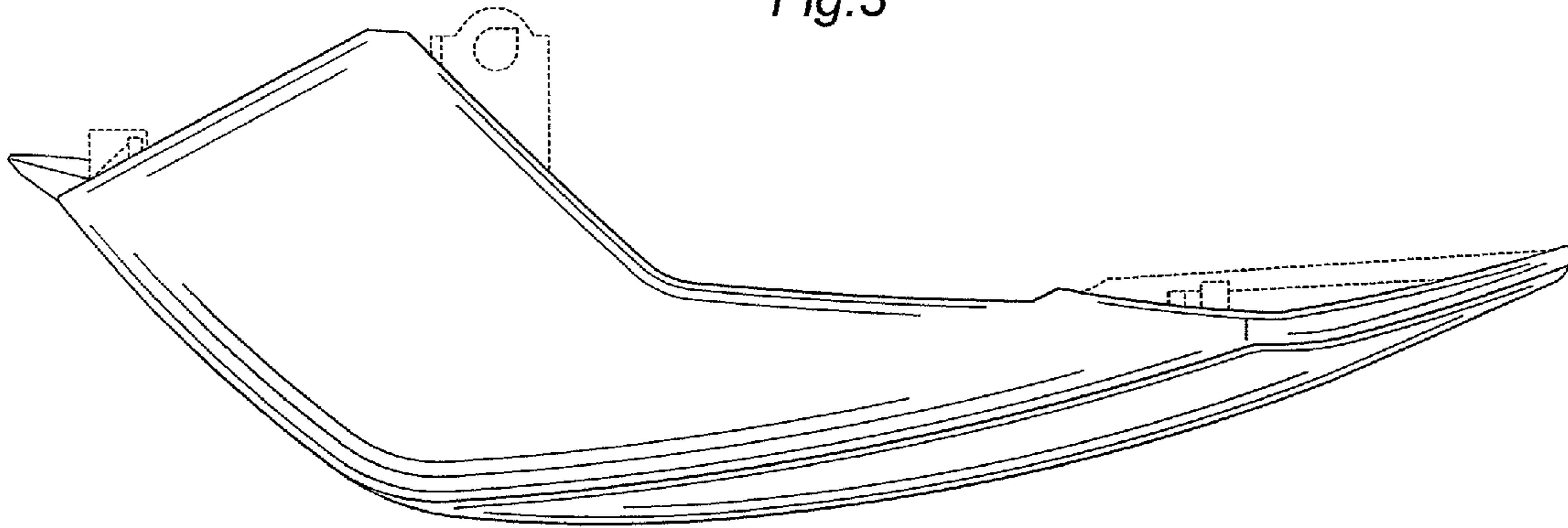


Fig.4

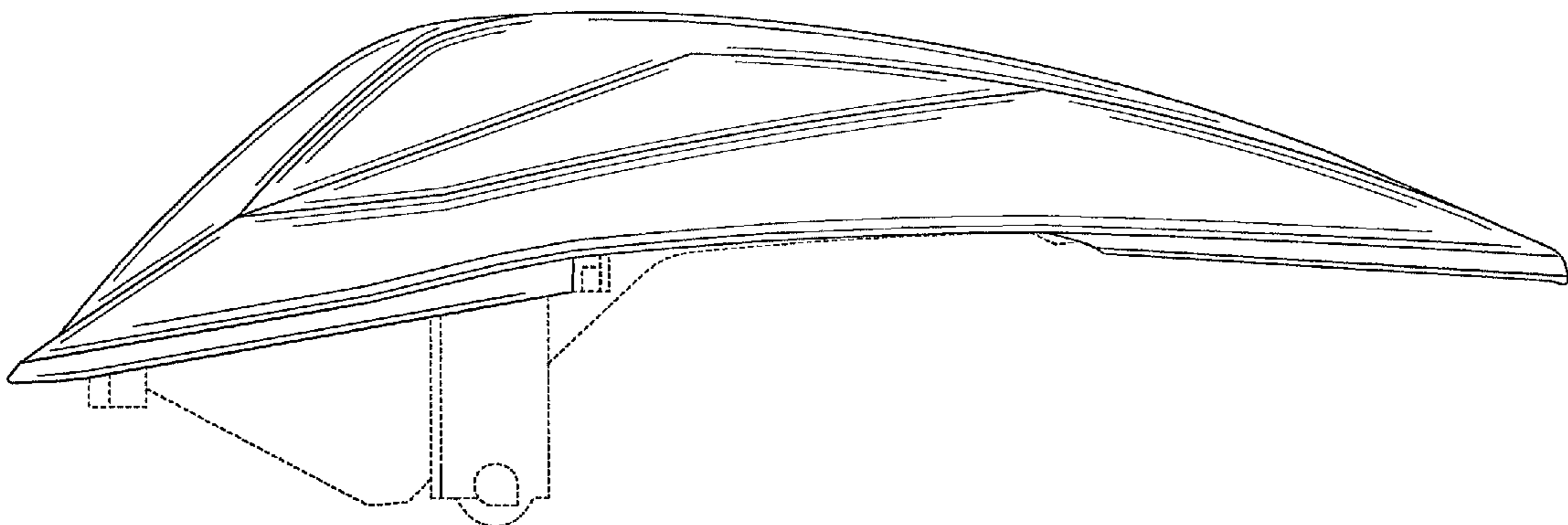


Fig. 5

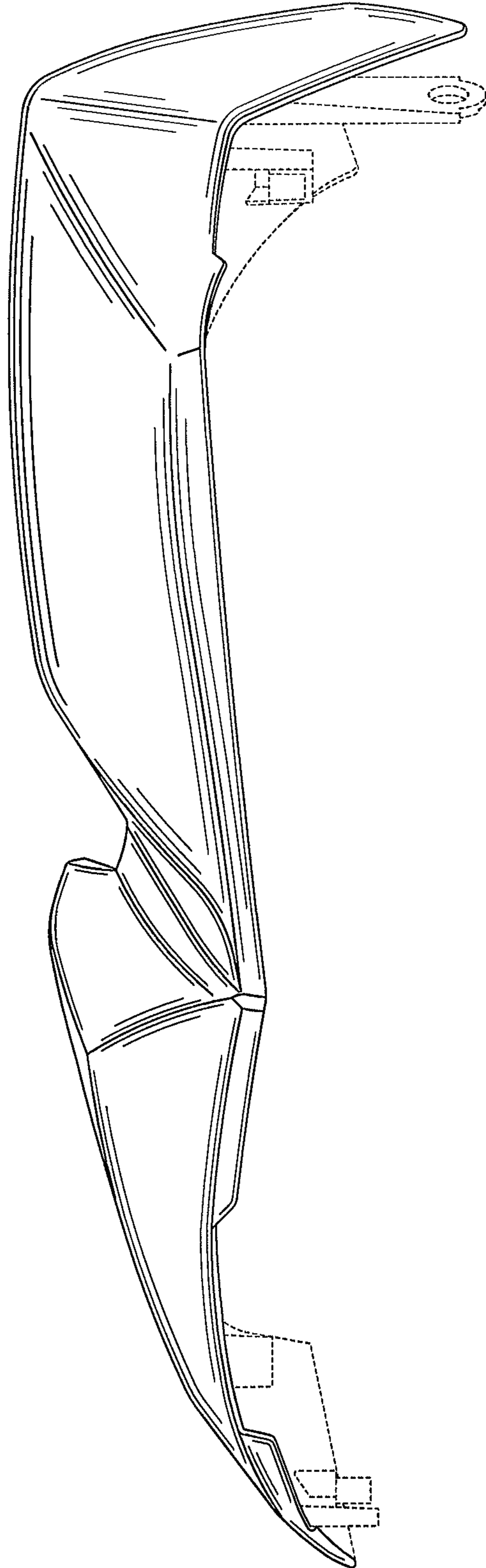


Fig. 6

