



US00D711290S

(12) **United States Design Patent**
Akita et al.

(10) **Patent No.:** **US D711,290 S**

(45) **Date of Patent:** **** Aug. 19, 2014**

(54) **SIDE COVER FOR MOTORCYCLES**

(71) Applicant: **Kawasaki Jukogyo Kabushiki Kaisha,**
Hyogo (JP)

(72) Inventors: **Kohei Akita,** Akashi (JP); **Norikazu**
Matsumura, Akashi (JP)

(73) Assignee: **Kawasaki Jukogyo Kabushiki Kaisha,**
Hyogo (JP)

(**) Term: **14 Years**

(21) Appl. No.: **29/463,522**

(22) Filed: **Dec. 19, 2013**

(30) **Foreign Application Priority Data**

Jun. 27, 2013 (JP) 2013-014523

(51) **LOC (10) Cl.** **12-11**

(52) **U.S. Cl.**
USPC **D12/114**

(58) **Field of Classification Search**

USPC 280/304.3, 835, 288.4, 291, 166, 304.4,
280/770, 850; D12/126, 186, 114, 218,
D12/182, 110, 196, 402, 117, 107, 125, 432,
D12/538; D6/354; 248/284.1, 354.3;
180/309, 68.1, 229, 219, 68.4, 288,
180/230, 228; 297/195.1, 215.12, 383,
297/423.42; 224/413; 296/78.1, 66, 37.12,
296/75; 403/4, 234; 362/473; 182/91;
293/105; 23/184.21, 184.36, 198 E;
192/48.9, 83

See application file for complete search history.

(56) **References Cited**

U.S. PATENT DOCUMENTS

D321,849 S * 11/1991 Abe et al. D12/110
D325,363 S * 4/1992 Yamada et al. D12/110
D341,798 S * 11/1993 Murata et al. D12/110
D384,601 S * 10/1997 Hiruma et al. D12/110
D457,108 S * 5/2002 Tsukui et al. D12/110

D457,836 S * 5/2002 Kohama et al. D12/110
D485,216 S * 1/2004 Yamamoto et al. D12/126
D496,309 S * 9/2004 Fukumoto et al. D12/110
D497,330 S * 10/2004 Fukuyama et al. D12/110
D504,844 S * 5/2005 Sasanami D12/110
D515,985 S * 2/2006 Kishi et al. D12/126
D517,956 S * 3/2006 Kishi et al. D12/110
D522,415 S * 6/2006 Tanaka et al. D12/126
D549,618 S * 8/2007 Miyata D12/110
D582,822 S * 12/2008 Watanabe et al. D12/186
D596,083 S * 7/2009 Watanabe et al. D12/110
D605,090 S * 12/2009 Tanaka et al. D12/110
D606,906 S * 12/2009 Chosa D12/110
D632,226 S * 2/2011 Miyata D12/110
D660,202 S * 5/2012 Petersson et al. D12/126
D674,323 S * 1/2013 Tokumura et al. D12/126
D684,506 S * 6/2013 Kobayashi D12/126
D690,625 S * 10/2013 Futamata et al. D12/126
D694,157 S * 11/2013 Katagiri et al. D12/126
D695,157 S * 12/2013 Tsukui et al. D12/126

* cited by examiner

Primary Examiner — Eric Goodman

Assistant Examiner — Ryan Harvey

(57) **CLAIM**

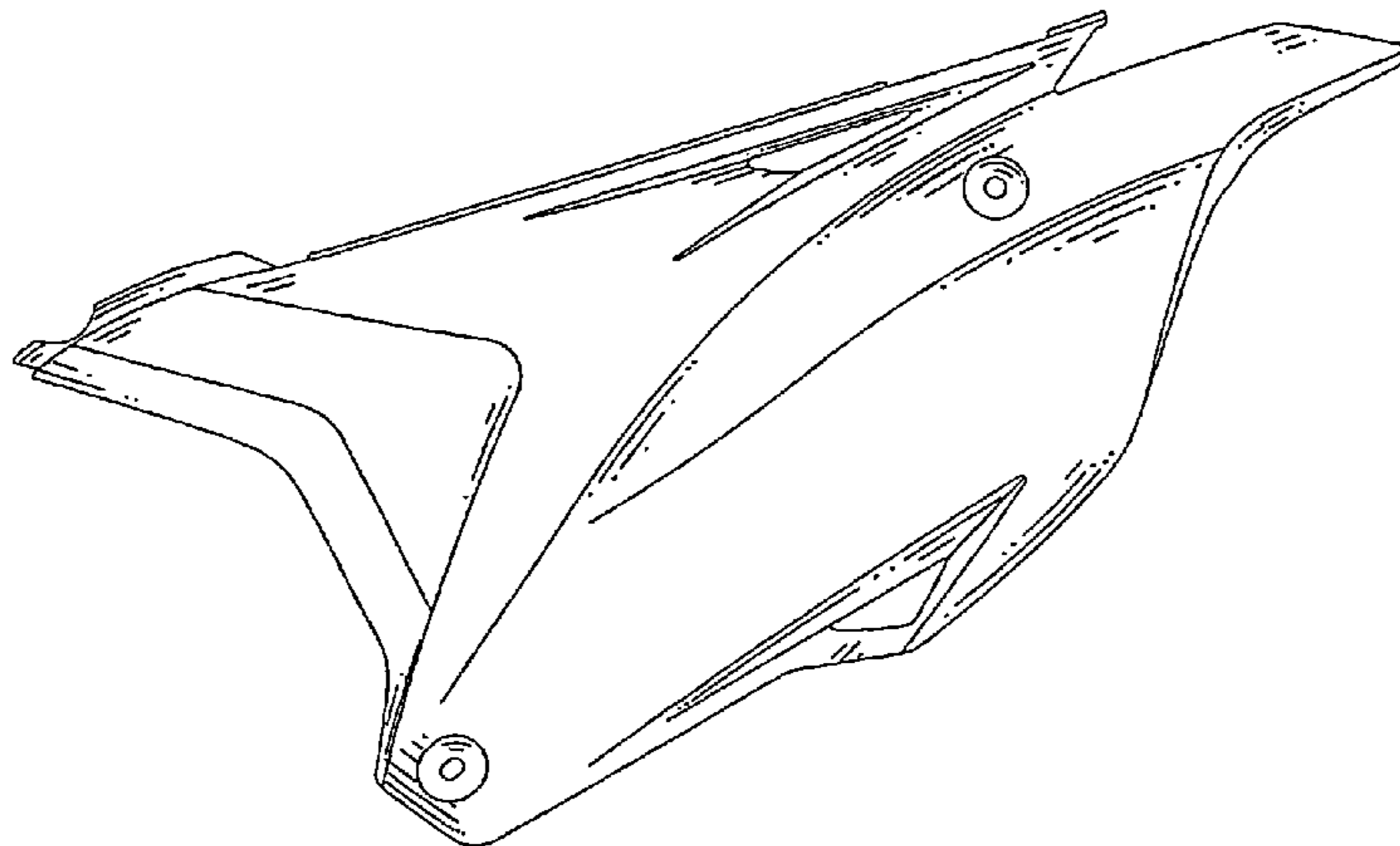
The ornamental design for a side cover for motorcycles, as shown and described.

DESCRIPTION

FIG. 1 is a front elevational view of a side cover for motorcycles showing our new design;
FIG. 2 is a rear elevational view thereof;
FIG. 3 is a left side elevational view thereof;
FIG. 4 is a right side elevational view thereof;
FIG. 5 is a top plan view thereof;
FIG. 6 is a bottom plan view thereof;
FIG. 7 is a front left perspective view thereof;
FIG. 8 is a rear left perspective view thereof;
FIG. 9 is a front right perspective view thereof; and,
FIG. 10 is a rear right perspective view thereof.

The subject side cover is used to cover respective side portions of a motorcycle below a seat.

1 Claim, 5 Drawing Sheets



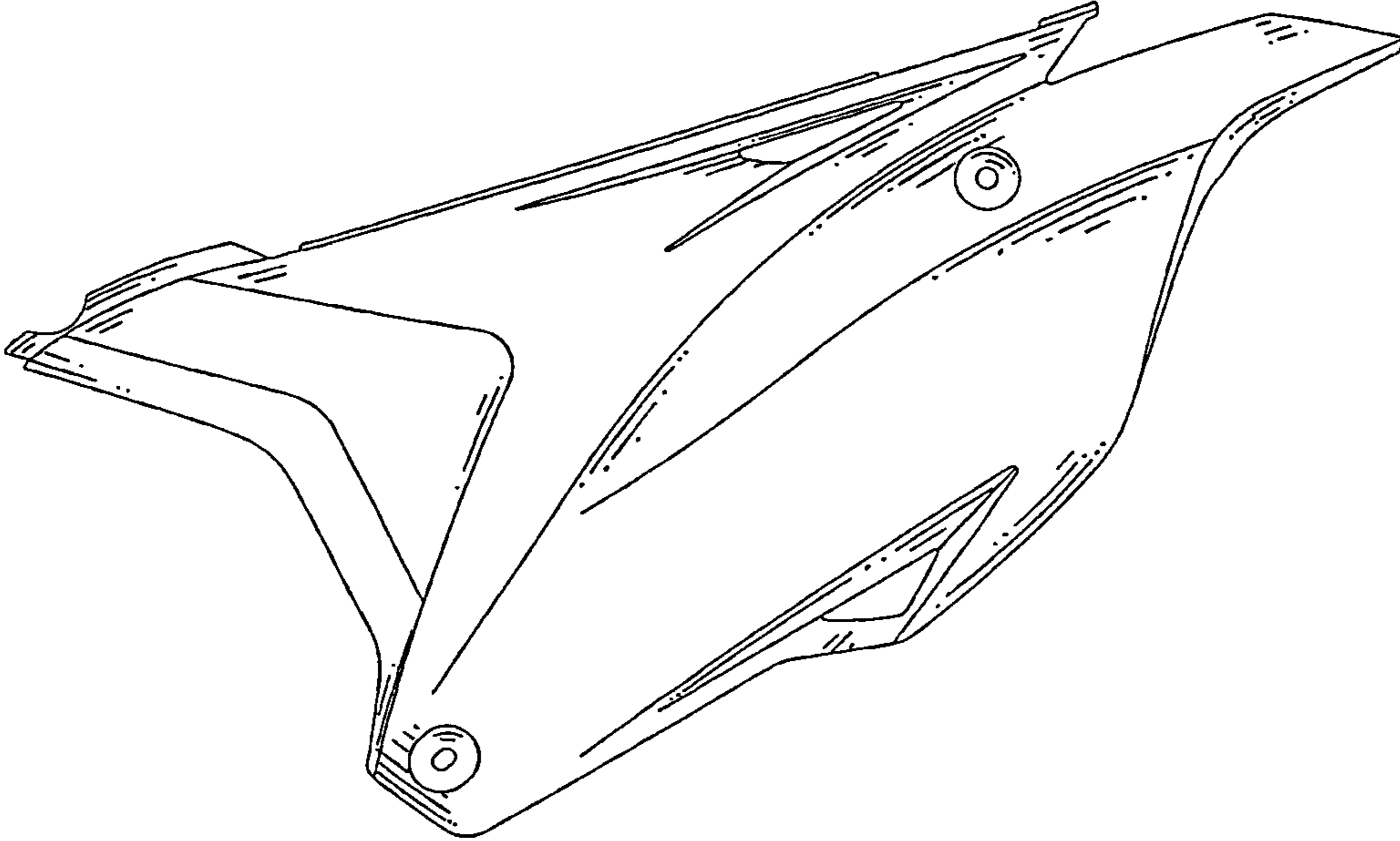


FIG. 1

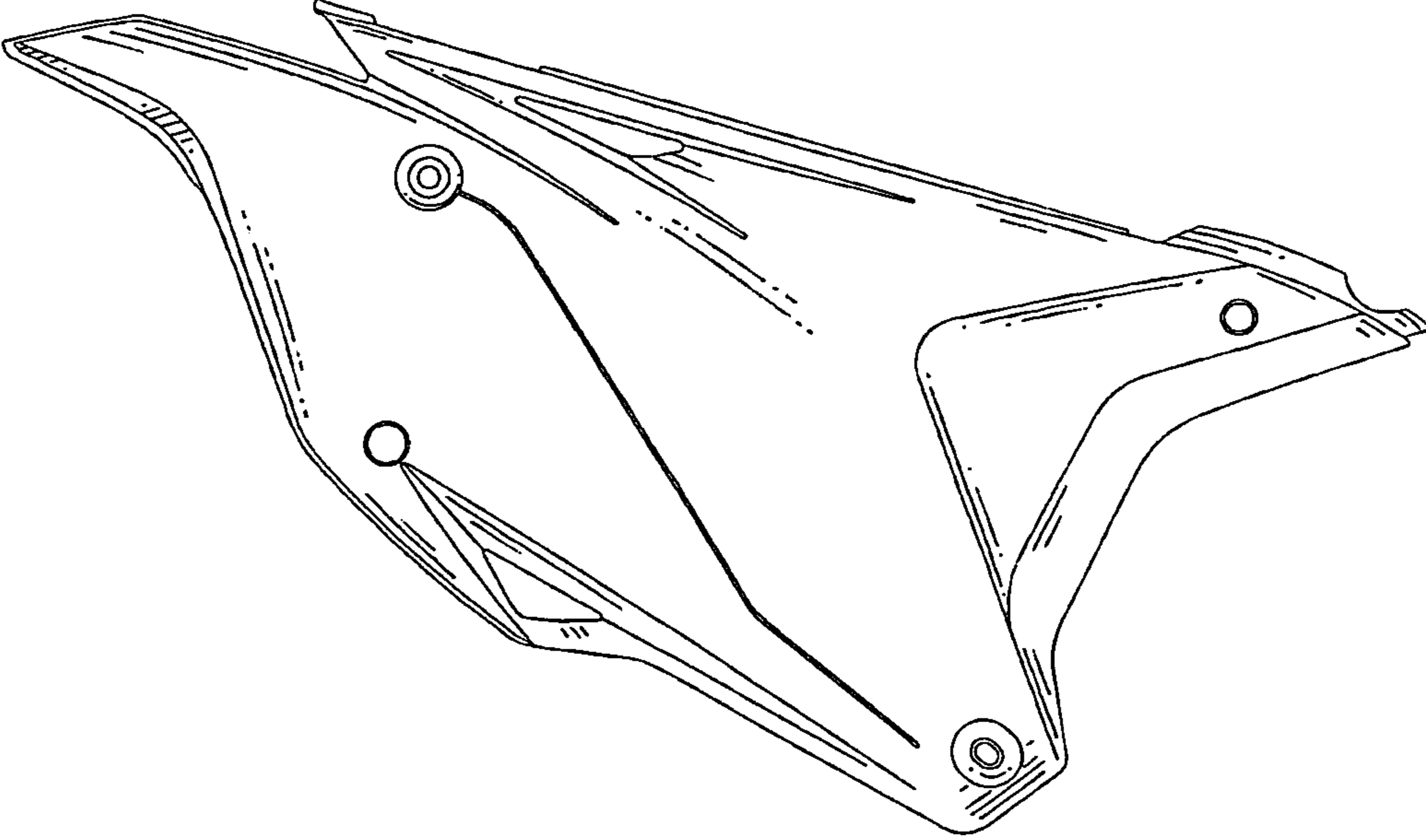


FIG. 2

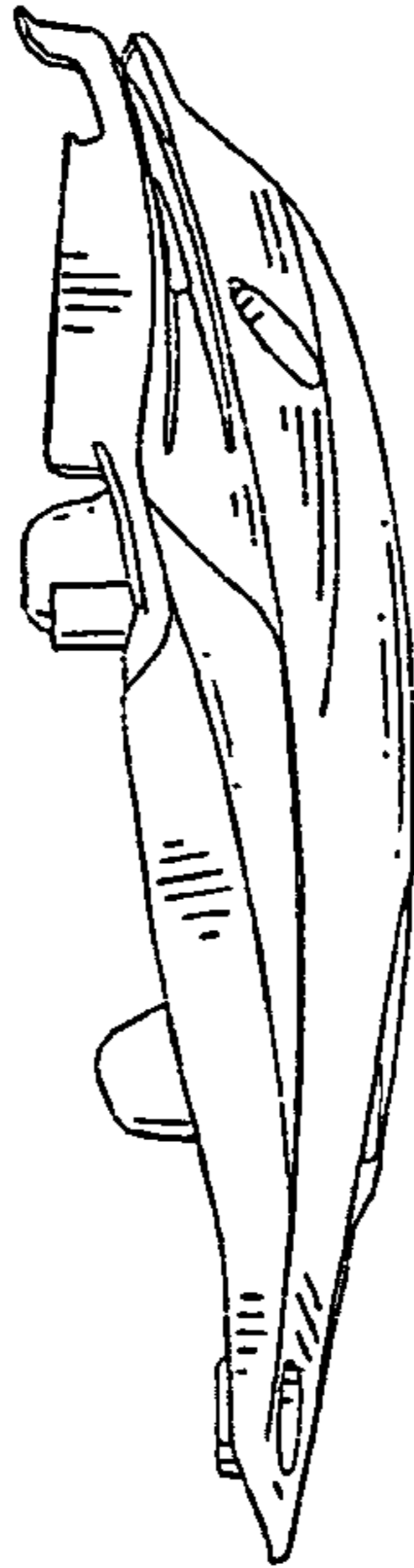


FIG. 3

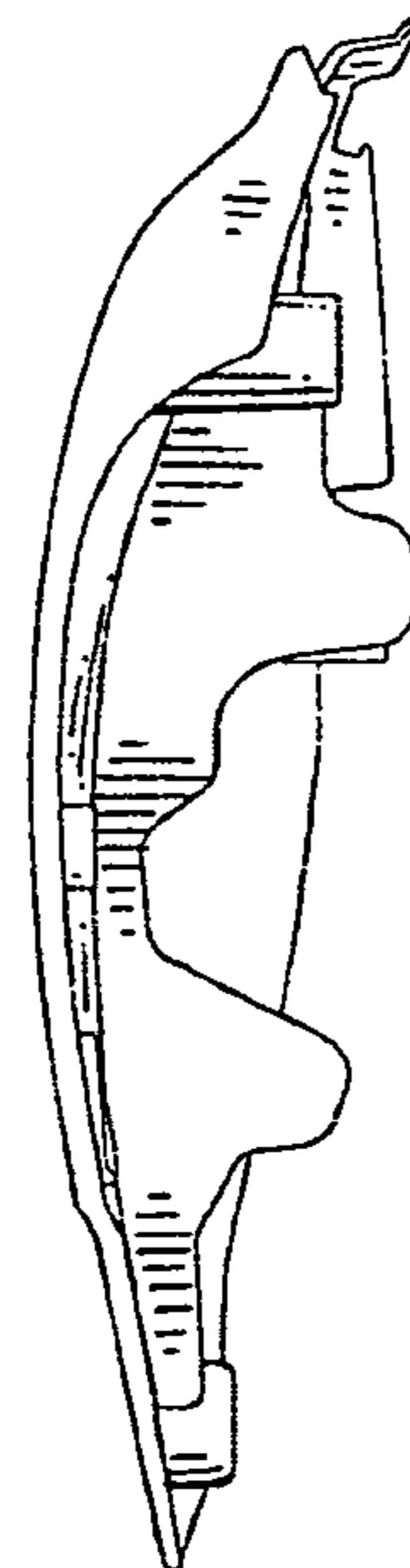


FIG. 4

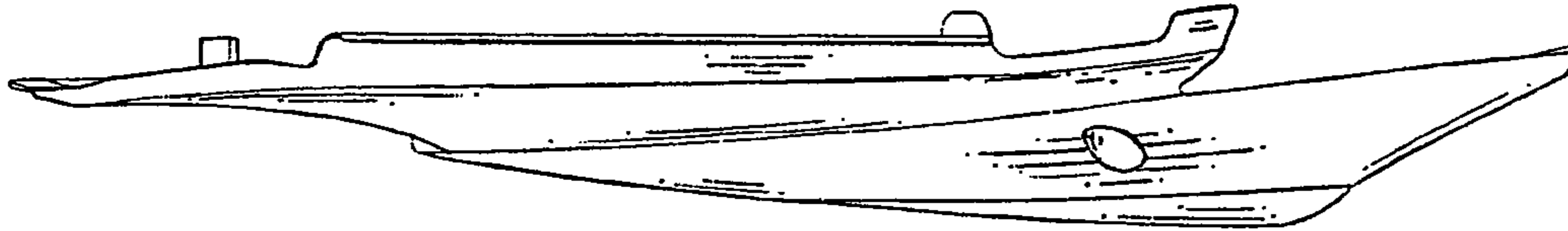


FIG. 5

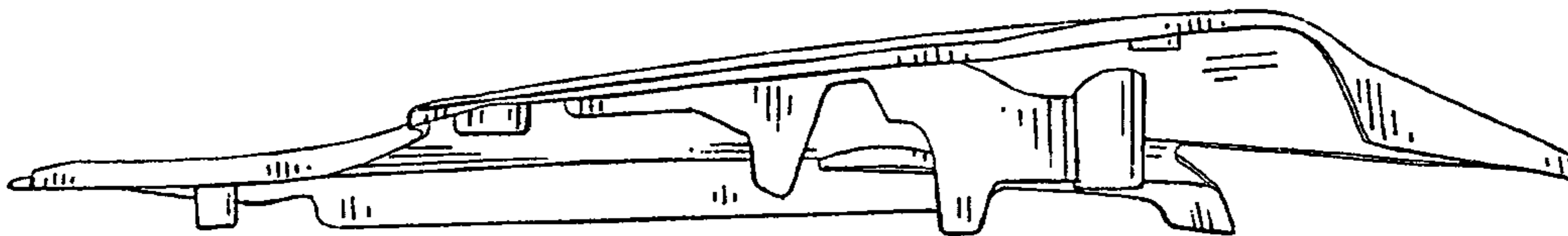
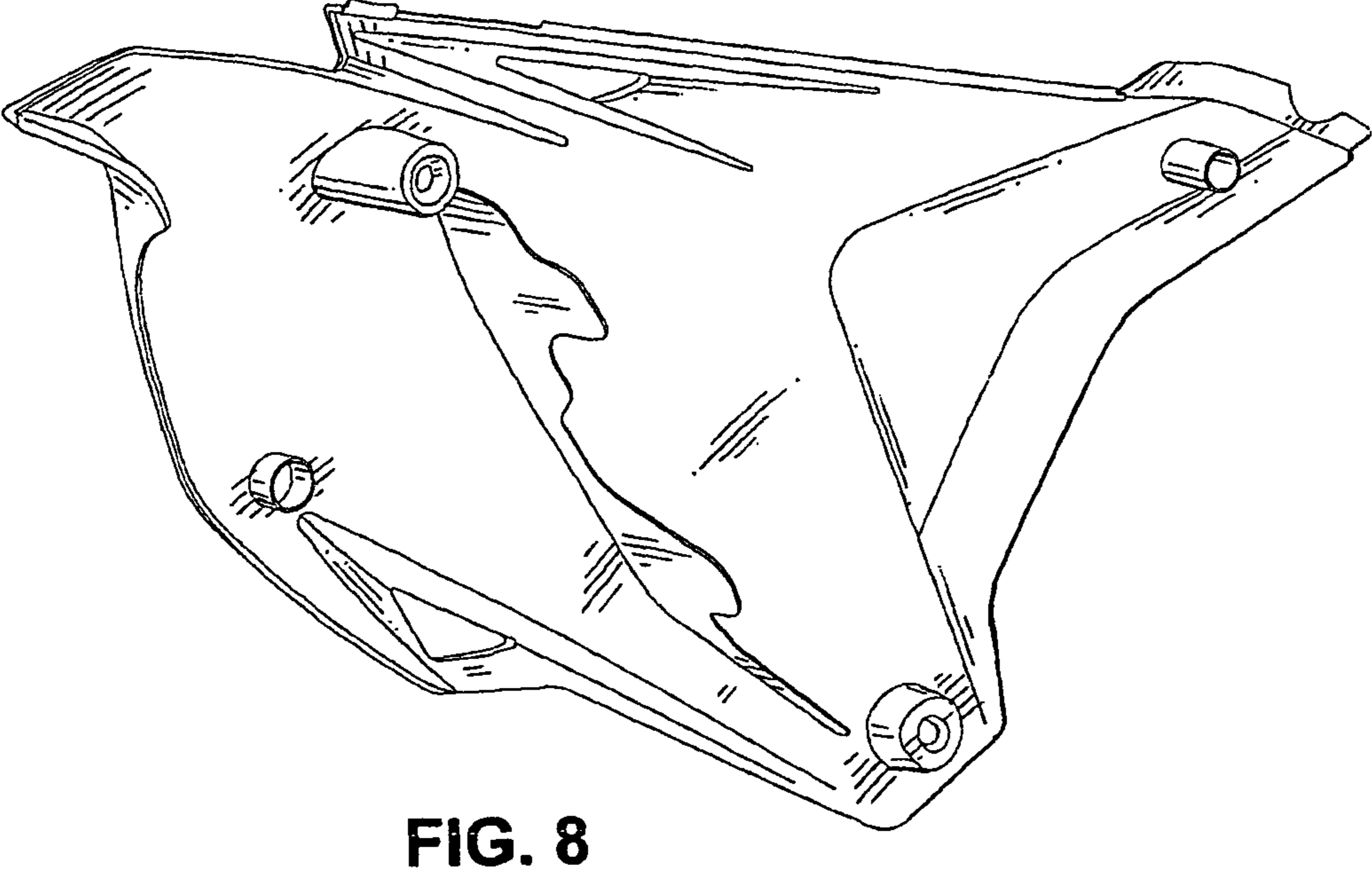
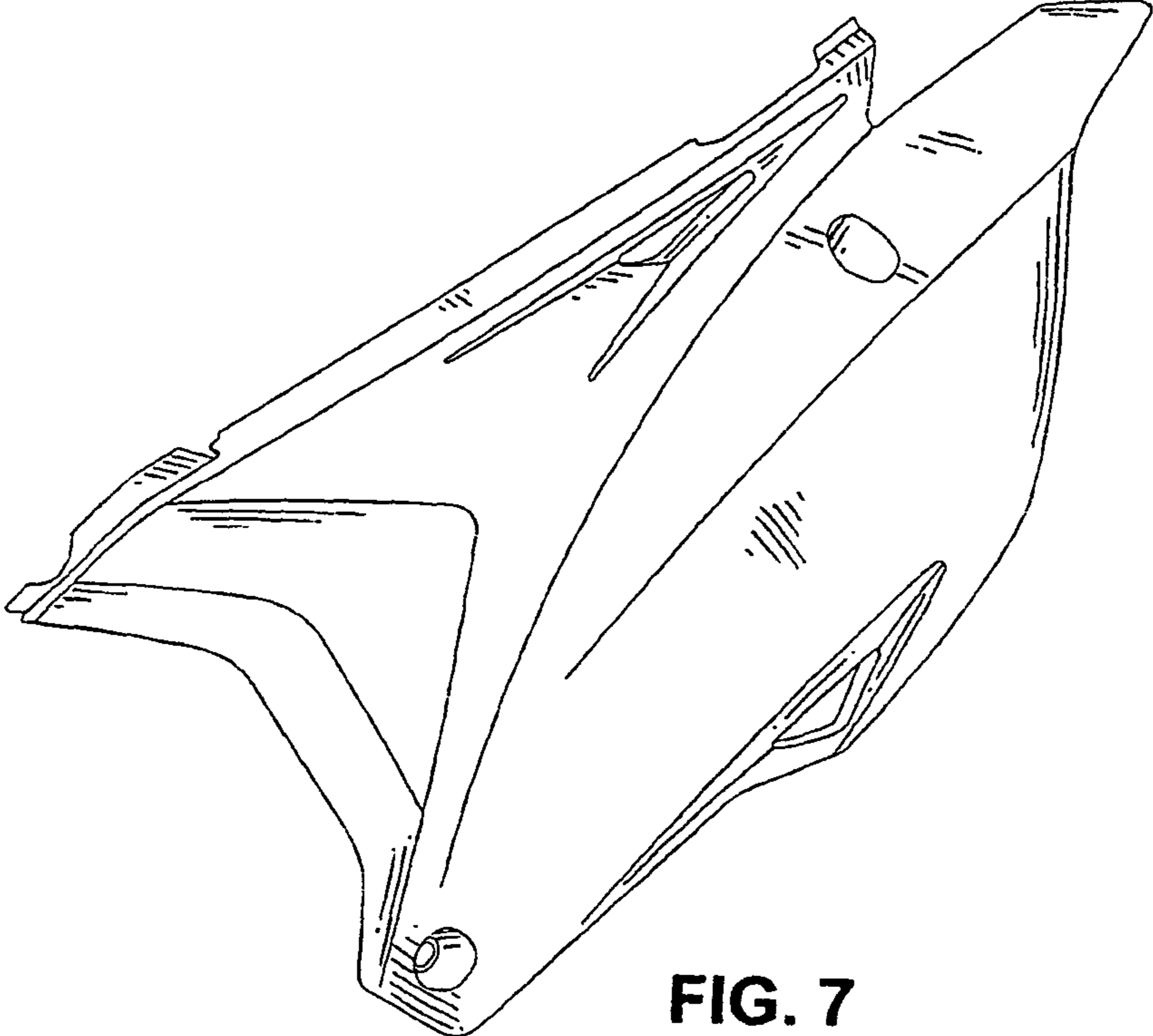


FIG. 6



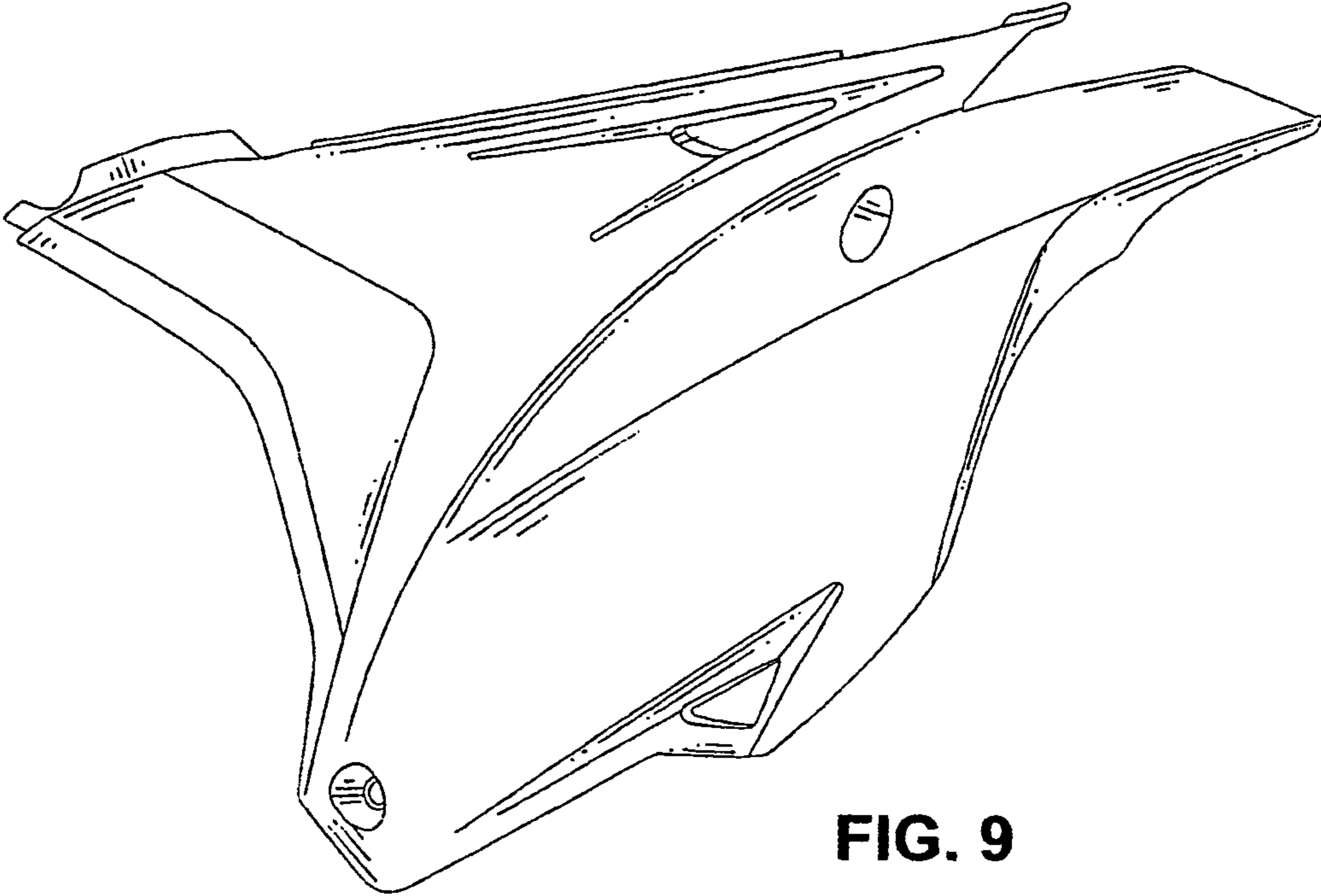


FIG. 9

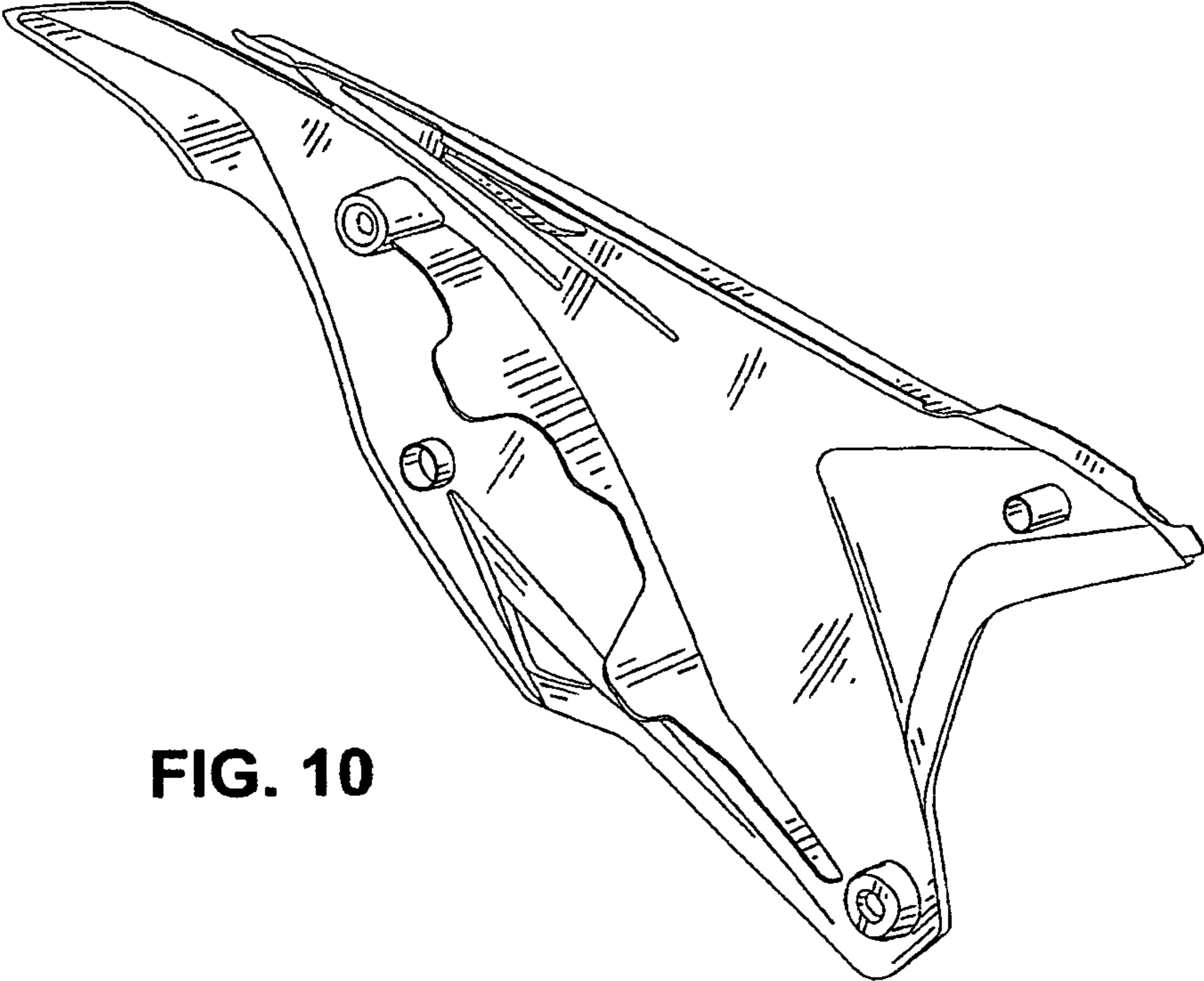


FIG. 10