



US00D711287S

(12) **United States Design Patent**
Butterworth et al.

(10) **Patent No.:** **US D711,287 S**
(45) **Date of Patent:** **** Aug. 19, 2014**

(54) **VEHICLE**

(71) Applicant: **Jaguar Land Rover Limited**, Coventry (GB)

(72) Inventors: **Simon Butterworth**, Coventry (GB);
Joe Buck, Warwickshire (GB)

(73) Assignee: **Jaguar Land Rover Limited** (GB)

(**) Term: **14 Years**

(21) Appl. No.: **29/455,907**

(22) Filed: **May 24, 2013**

(30) **Foreign Application Priority Data**

Nov. 26, 2012 (EM) 002142471

(51) **LOC (10) Cl.** **12-08**

(52) **U.S. Cl.**
USPC **D12/92**

(58) **Field of Classification Search**
USPC D12/86, 90, 91, 92, 98; 296/37.6,
296/181.1, 181.5, 183.1; D21/424, 433,
D21/434

See application file for complete search history.

(56) **References Cited**

U.S. PATENT DOCUMENTS

D373,978 S * 9/1996 Axe et al. D12/92
D391,522 S * 3/1998 Hall et al. D12/92
D395,847 S * 7/1998 Sacco et al. D12/92
D406,798 S * 3/1999 Sacco et al. D12/92
D615,458 S * 5/2010 Thompson et al. D12/92
D629,718 S * 12/2010 Reichman et al. D12/92
D641,666 S * 7/2011 Yi D12/92
D671,036 S * 11/2012 Inatomi et al. D12/92

D679,221 S * 4/2013 Tomatsu et al. D12/92
D682,740 S * 5/2013 Tomatsu et al. D12/92
D684,095 S * 6/2013 Beaven D12/92
D684,900 S * 6/2013 Doyle et al. D12/92
2009/0243342 A1* 10/2009 Christensen et al. 296/193.08

OTHER PUBLICATIONS

2013 Jaguar XF: The Sports Sedan. Nov. 22, 2012 [online], [retrieved on Dec. 29, 2013]. Retrieved from the Internet <URL: http://www.auto-brochures.com/makes/Jaguar/Xf/Jaguar_US%20XF_2013.pdf>.*

2012 Jaguar XF: The XF Luxury Sports Sedan. Aug. 12, 2011 [online], [retrieved on Dec. 29, 2013]. Retrieved from the Internet <URL: http://www.auto-brochures.com/makes/Jaguar/XF/Jaguar_US%20XF_2012.pdf>.*

* cited by examiner

Primary Examiner — Phillip S Hyder

Assistant Examiner — Darlington Ly

(74) *Attorney, Agent, or Firm* — Rader, Fishman & Grauer PLLC

(57) **CLAIM**

The ornamental design for a vehicle, as shown and described.

DESCRIPTION

FIG. 1 is a top, front, and right side perspective view of a vehicle;

FIG. 2 is a top, rear, and right side perspective view thereof;

FIG. 3 is a front elevation view thereof;

FIG. 4 is a rear elevation view thereof;

FIG. 5 is a left side elevation view thereof;

FIG. 6 is a rear elevation view thereof; and,

FIG. 7 is a top plan view thereof.

The broken lines shown in the drawings illustrate portions of the vehicle that forms no part of claimed design.

1 Claim, 5 Drawing Sheets



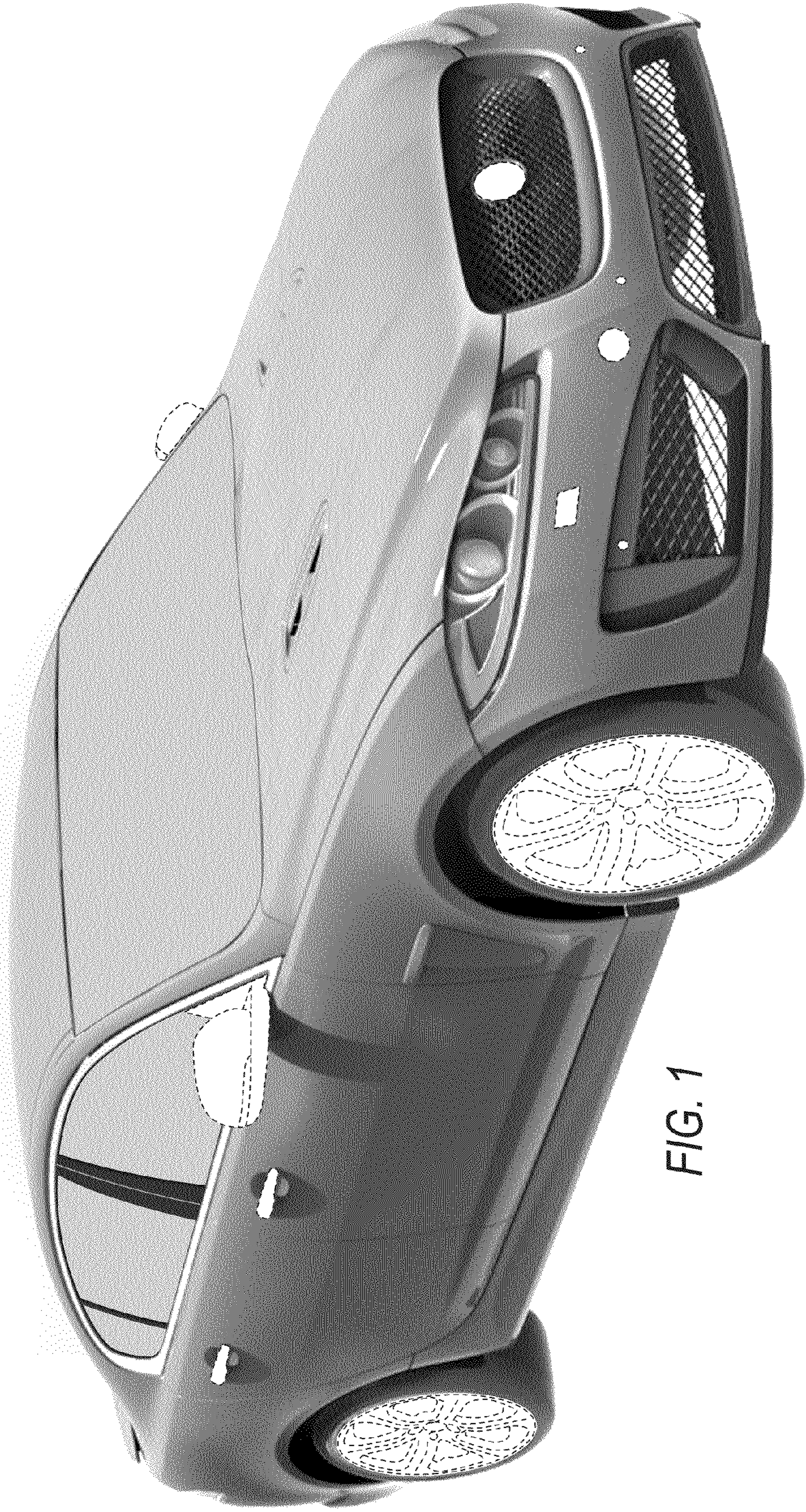


FIG. 1

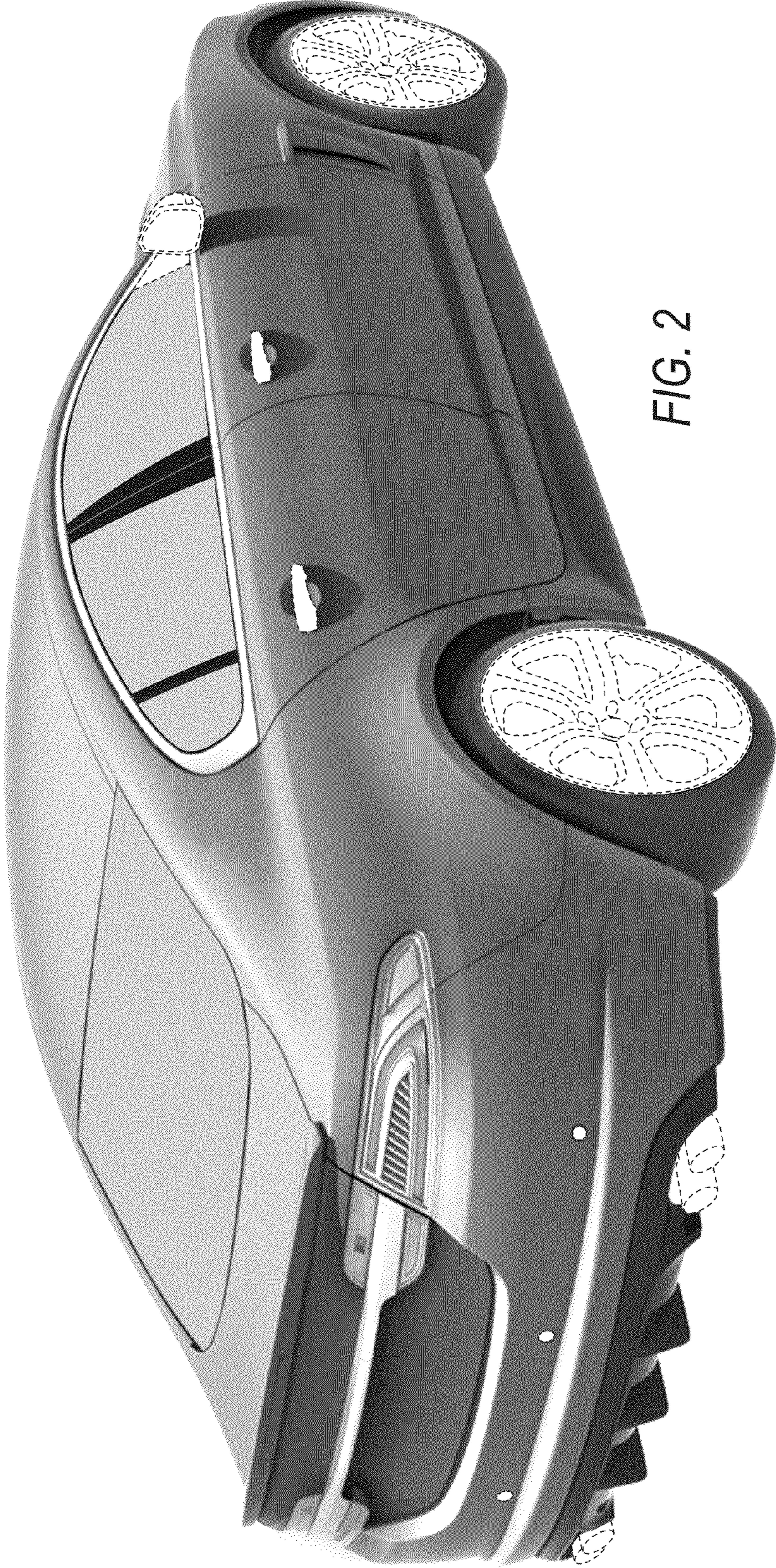


FIG. 2



FIG. 3

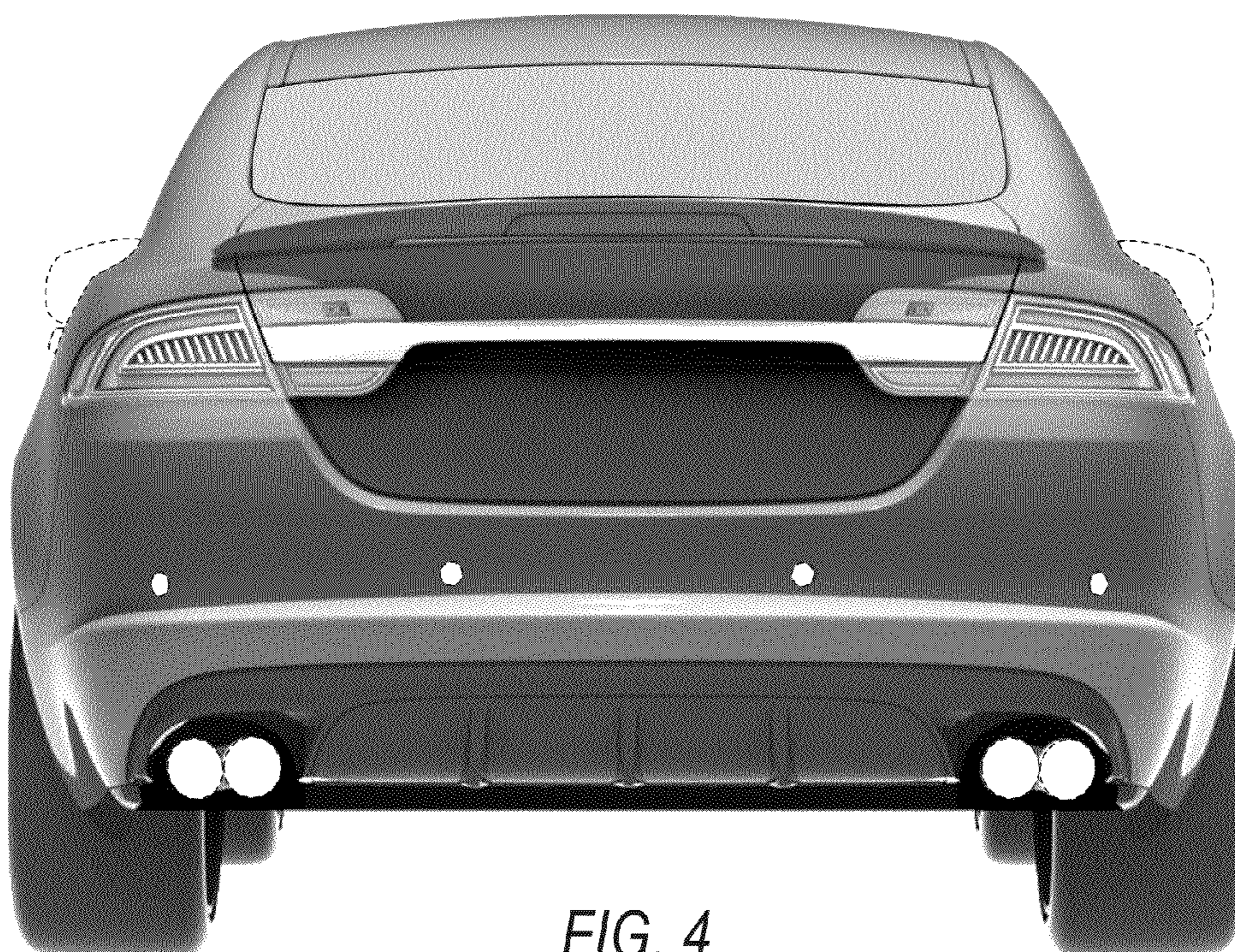


FIG. 4

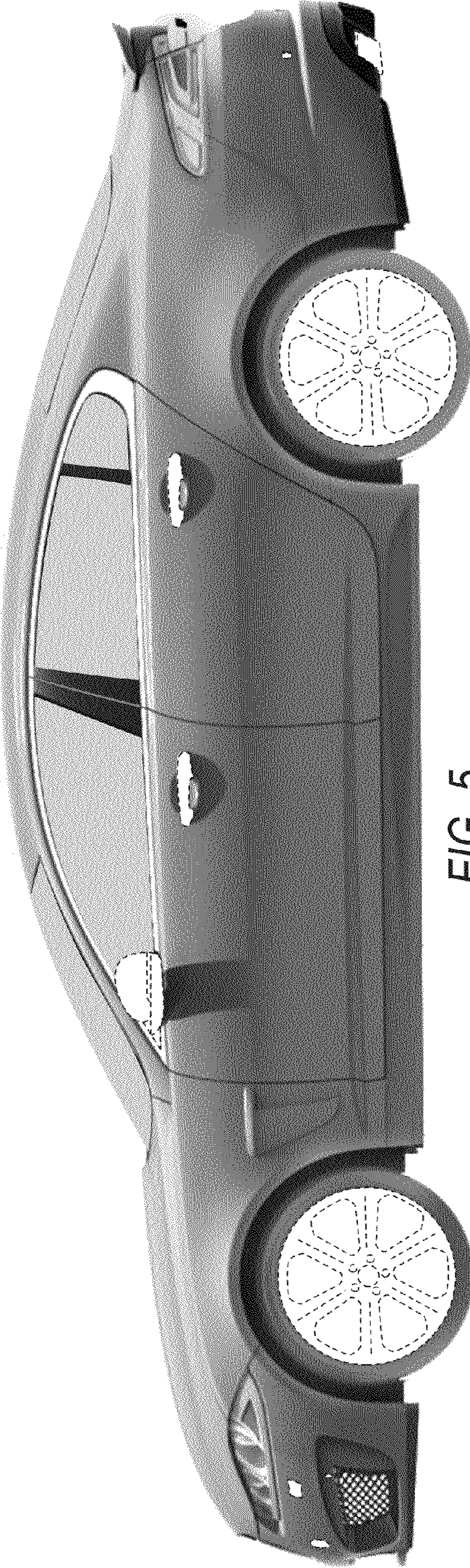


FIG. 5



FIG. 6



FIG. 7