



US00D711282S

(12) **United States Design Patent**  
**Connell**

(10) **Patent No.:** **US D711,282 S**

(45) **Date of Patent:** **\*\* Aug. 19, 2014**

(54) **WHEELBARROW PLANTER**

(76) Inventor: **Justin Connell**, Santa Rosa, CA (US)

(\*\*) Term: **14 Years**

(21) Appl. No.: **29/432,021**

(22) Filed: **Sep. 12, 2012**

(51) **LOC (10) Cl.** ..... **11-02**

(52) **U.S. Cl.**  
USPC ..... **D11/149**

(58) **Field of Classification Search**  
USPC ..... D6/403-405, 556-558; D8/1;  
D11/143-156, 164; D19/77, 80, 81,  
D19/84; D25/100; D26/9-11, 16, 19;  
D34/1, 2, 4-6; D99/5, 19; 47/17, 32.4,  
47/32.5, 33, 39, 41.01, 41.1, 41.11-41.15,  
47/44-47, 65, 65.5, 65.9, 66.1, 66.6, 66.7,  
47/67-71

See application file for complete search history.

(56) **References Cited**

**U.S. PATENT DOCUMENTS**

D168,503 S \* 12/1952 Hallas ..... D6/404  
D174,908 S \* 6/1955 Klingberg ..... D6/404  
D176,220 S \* 11/1955 Klingberg ..... D6/404

D285,506 S \* 9/1986 Mens ..... D6/404  
D285,755 S \* 9/1986 Mens ..... D6/404  
D377,127 S \* 1/1997 Barrington ..... D6/477  
D492,828 S \* 7/2004 Koonce ..... D6/404  
D606,451 S \* 12/2009 Kertz ..... D11/145  
D623,085 S \* 9/2010 Rackley et al. .... D11/144

\* cited by examiner

*Primary Examiner* — Elizabeth Albert

(74) *Attorney, Agent, or Firm* — QuickPatents; Kevin Prince

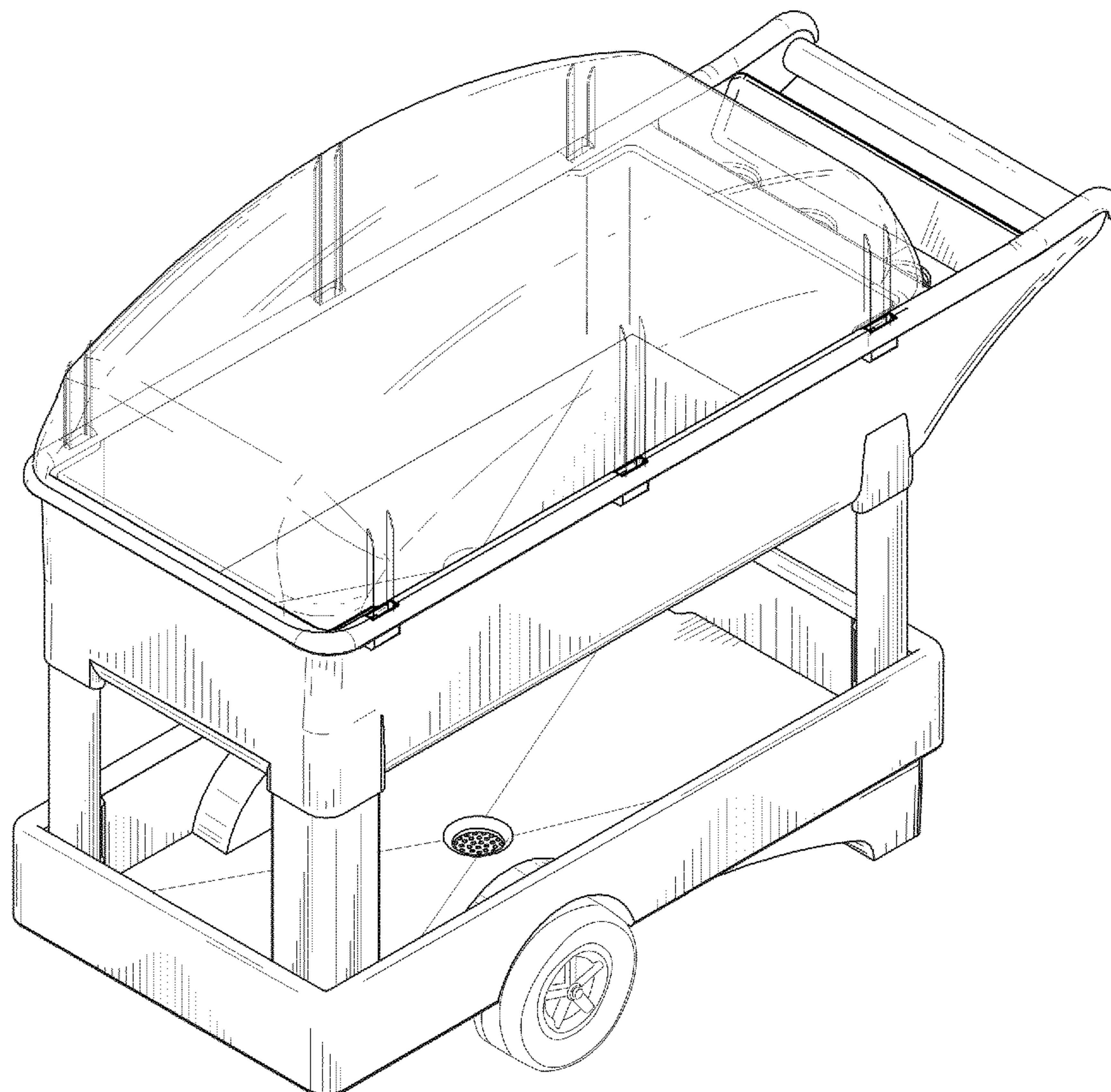
(57) **CLAIM**

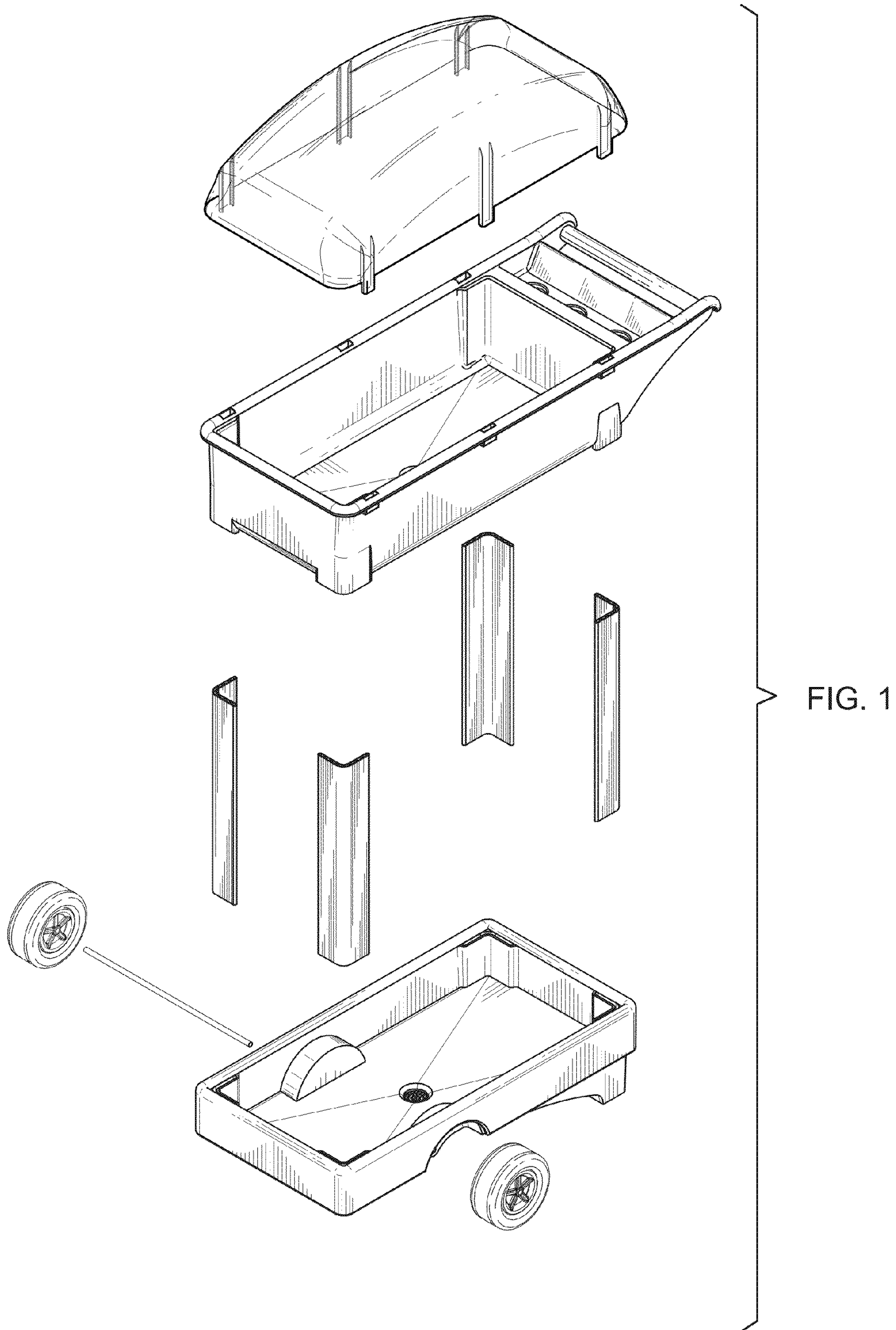
I claim the ornamental design for a wheelbarrow planter, as shown and described.

**DESCRIPTION**

FIG. 1 is an exploded perspective view of a wheelbarrow planter, showing my new design;  
FIG. 2 is an enlarged perspective view thereof;  
FIG. 3 is a rear elevational view of FIG. 2;  
FIG. 4 is a front elevational view of FIG. 2;  
FIG. 5 is a left-side elevational view of FIG. 2, the right-side elevational view being a mirror image thereof;  
FIG. 6 is an exploded top plan view of FIG. 2;  
FIG. 7 is a bottom plan view of FIG. 2; and,  
FIG. 8 is a bottom perspective view of FIG. 2.

**1 Claim, 7 Drawing Sheets**







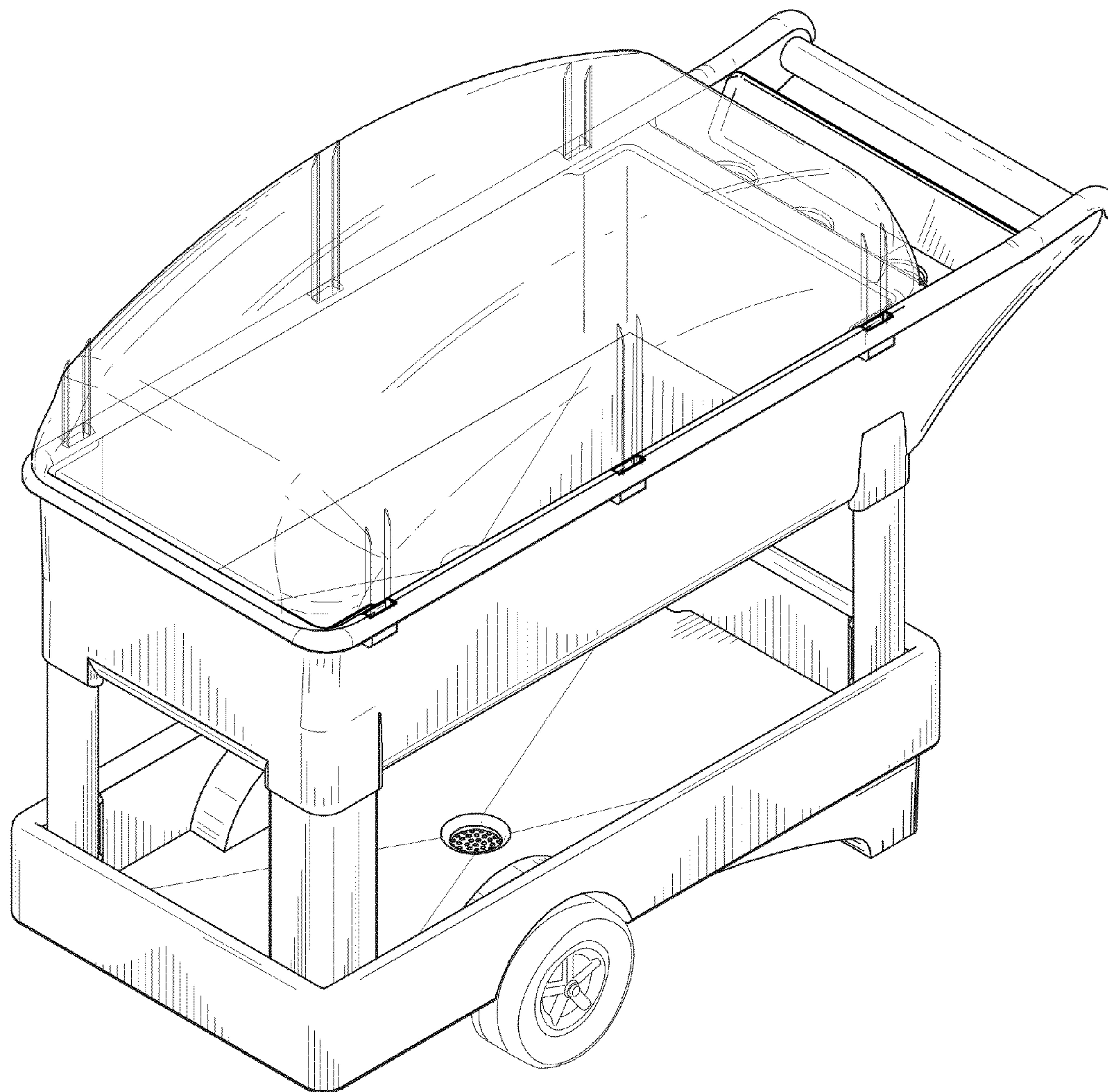


FIG. 2

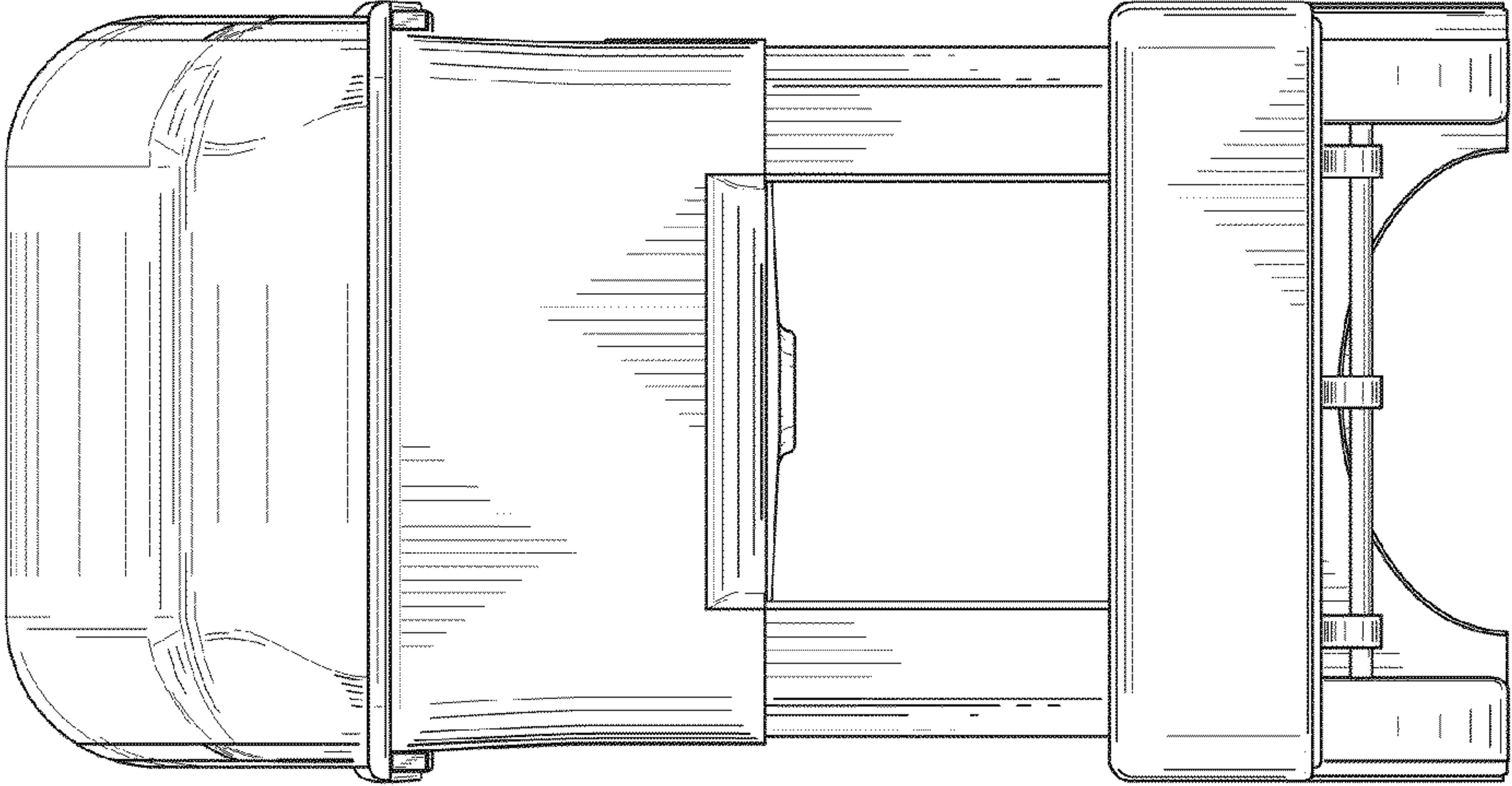


FIG. 4

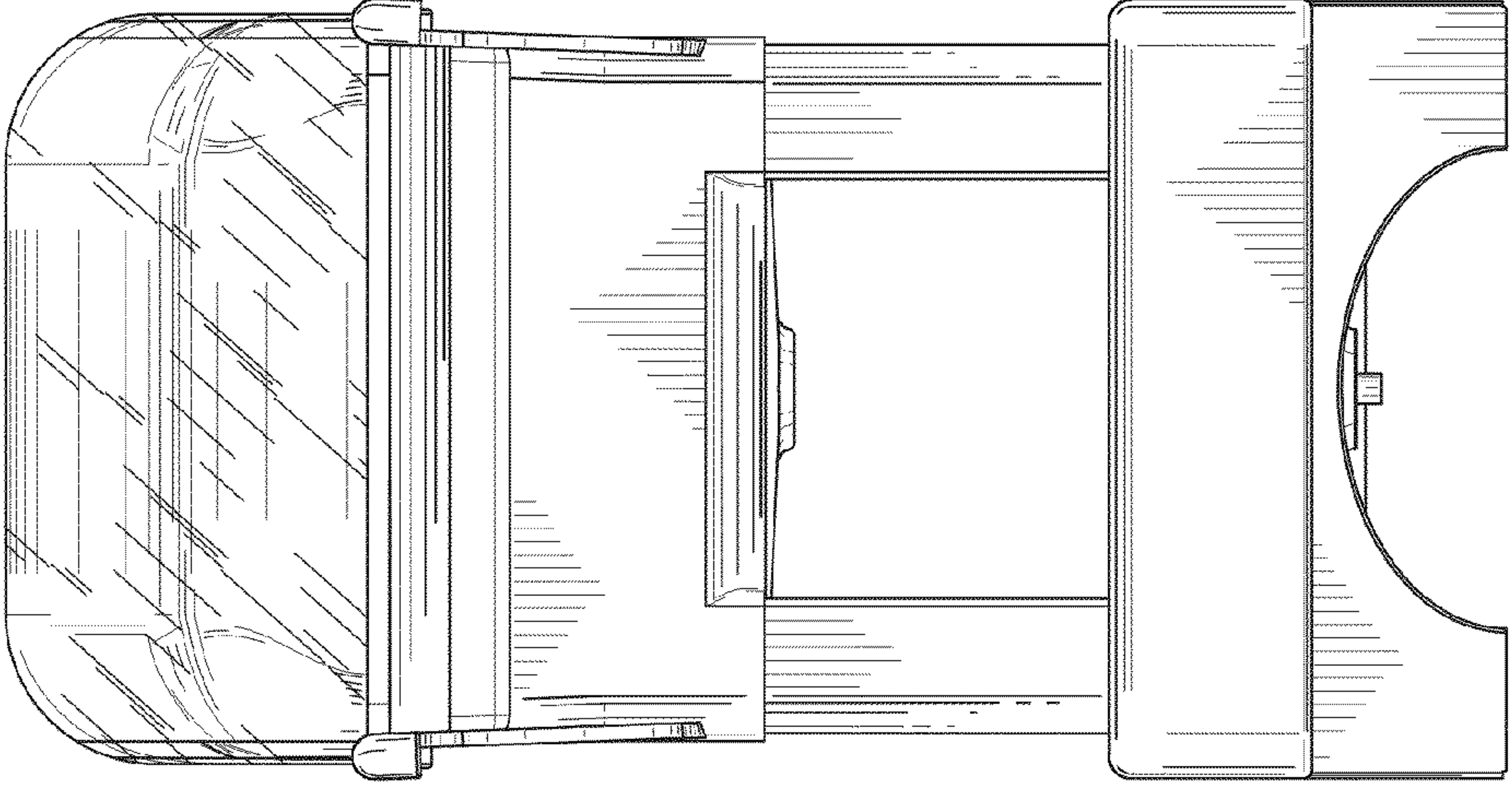


FIG. 3

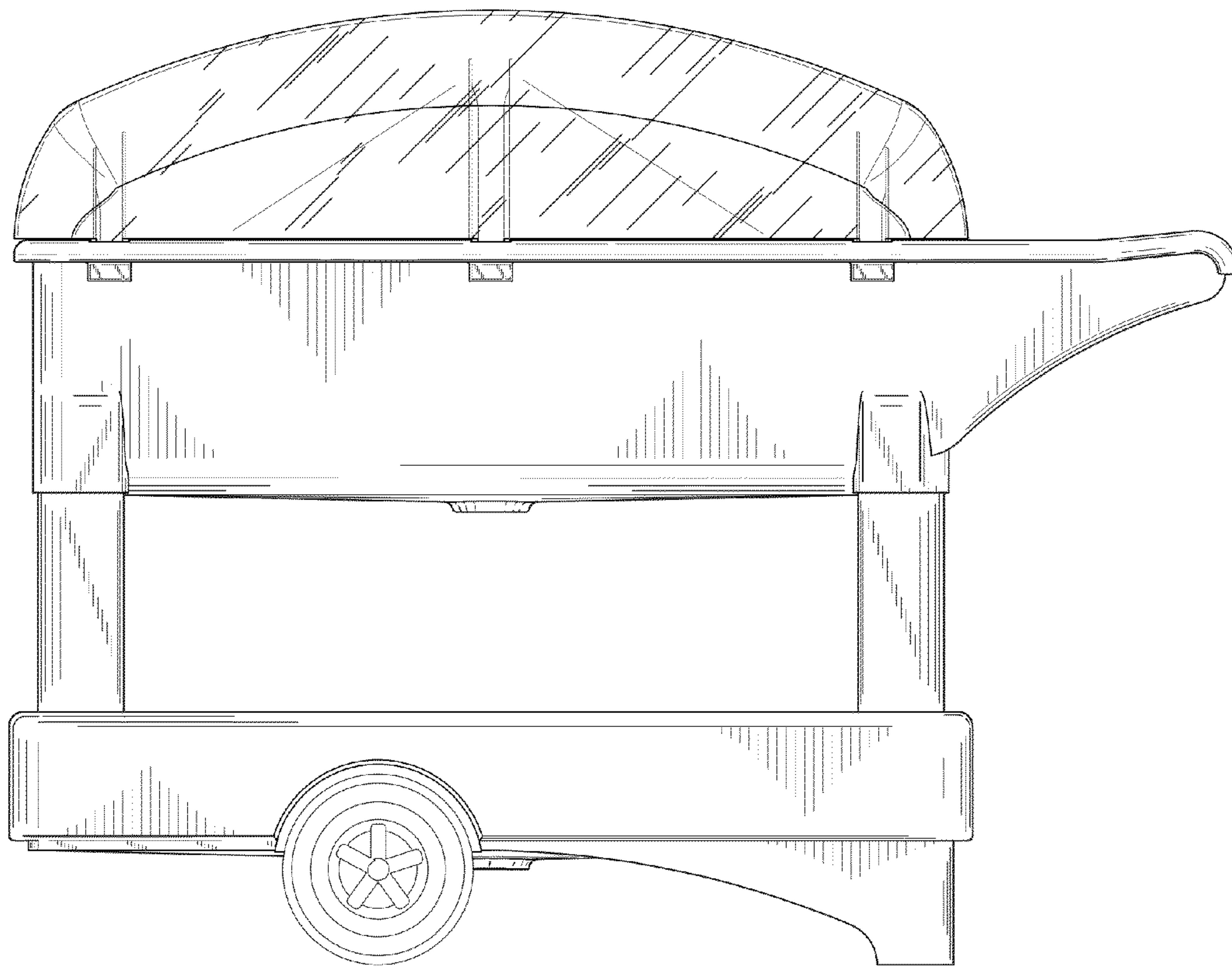


FIG. 5

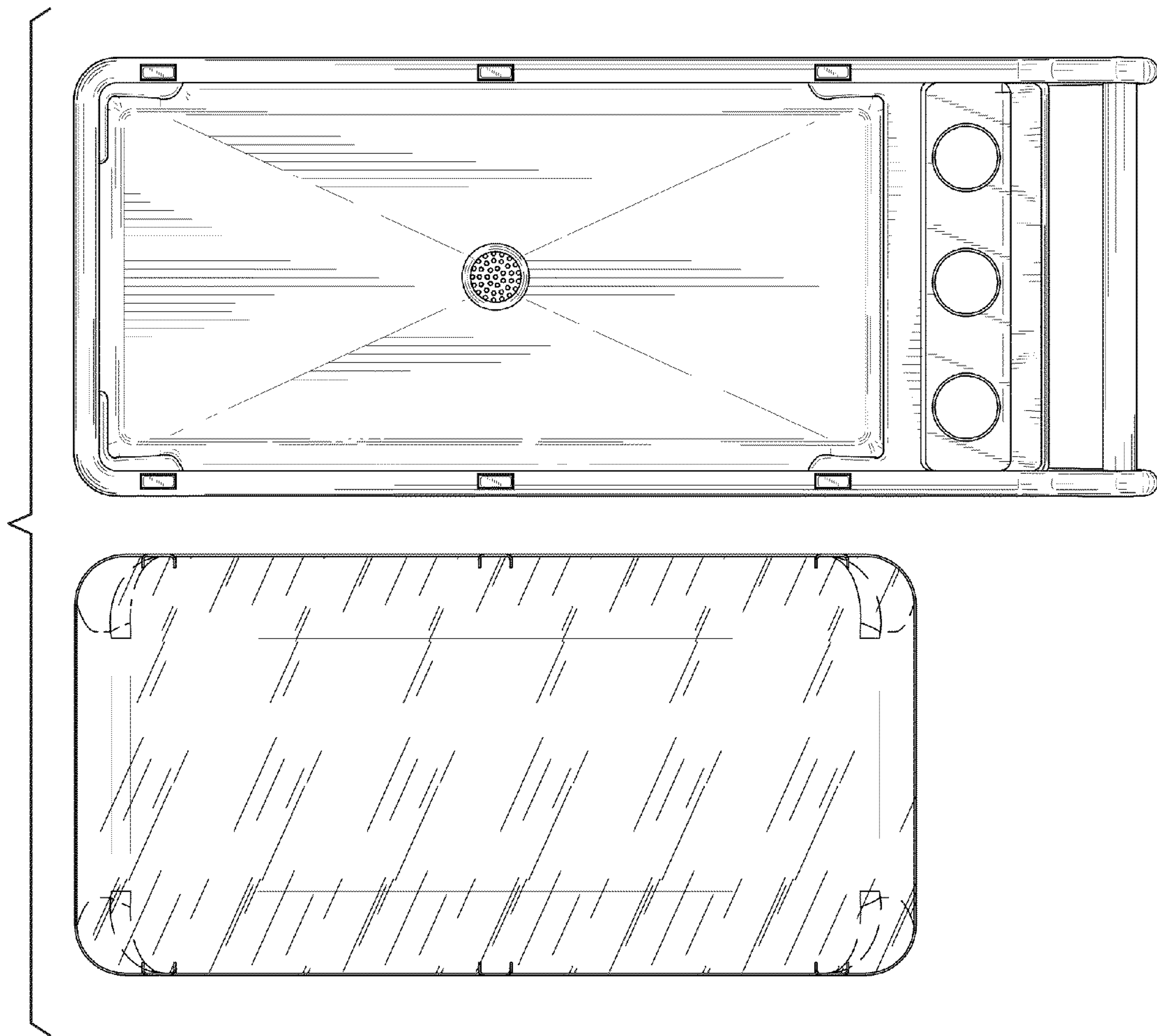


FIG. 6



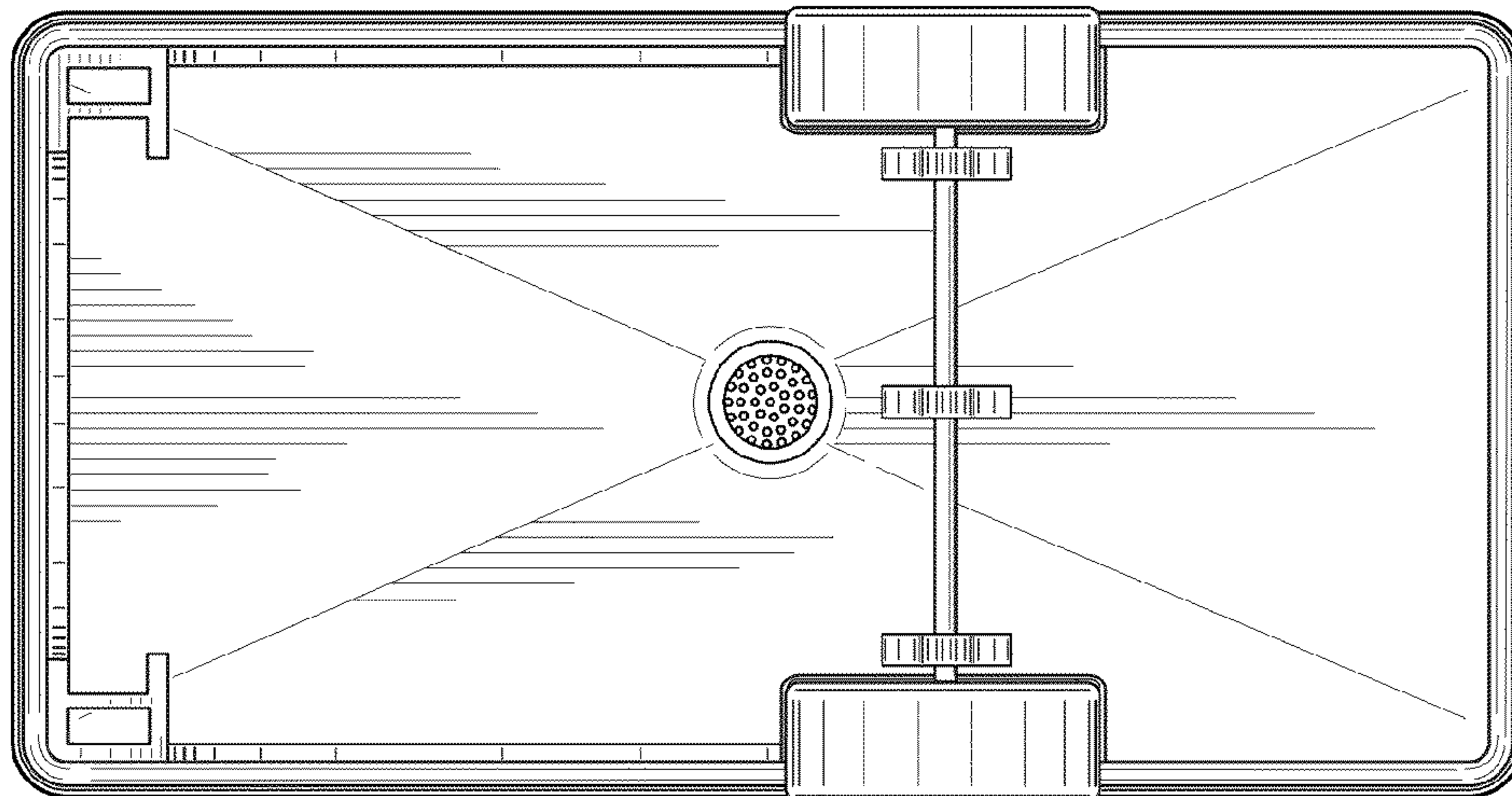


FIG. 7

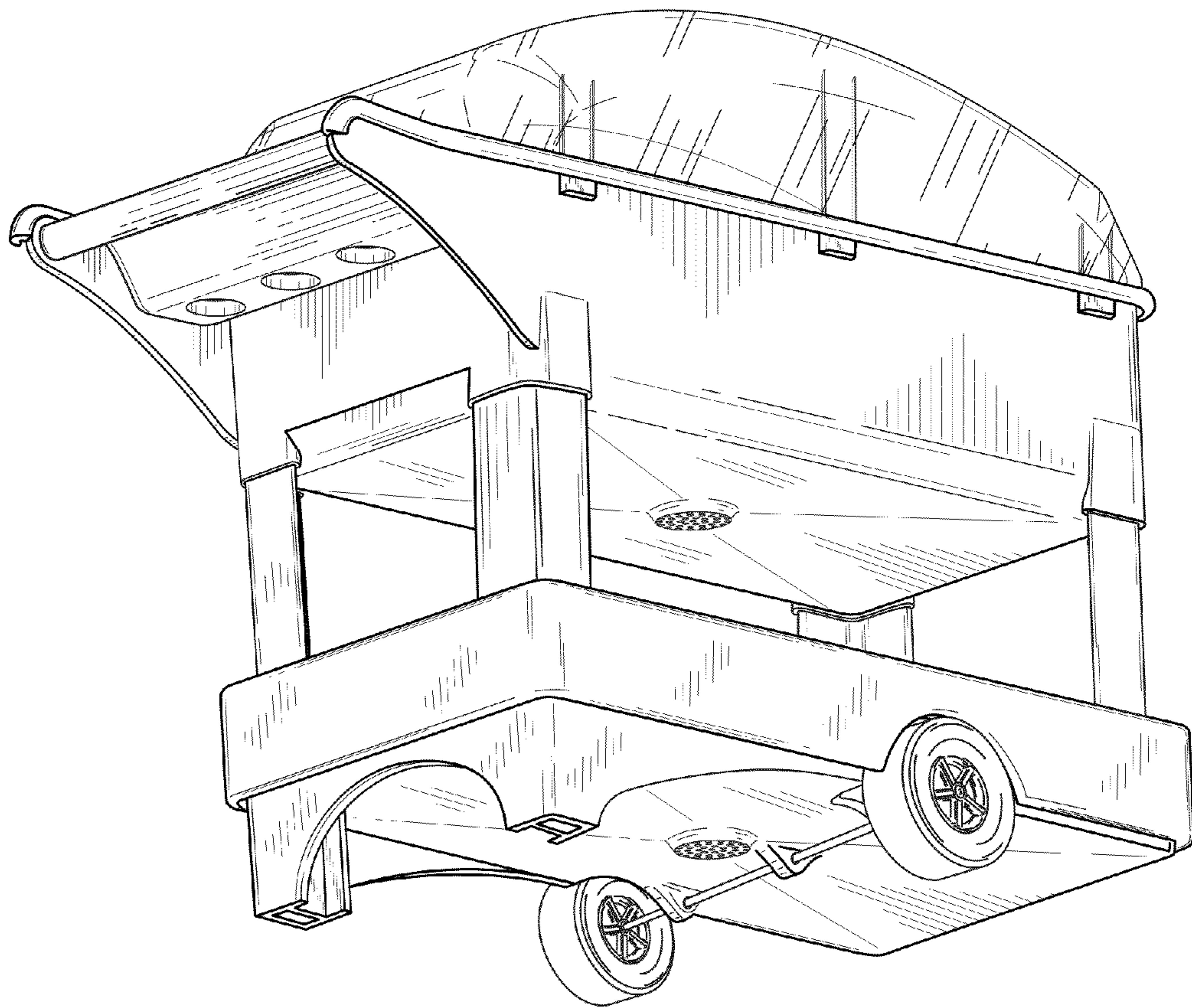


FIG. 8