



US00D711278S

(12) **United States Design Patent**
Kadri et al.

(10) **Patent No.:** **US D711,278 S**
(45) **Date of Patent:** **** *Aug. 19, 2014**

(54) **HEART-SHAPED LOCKET**

(71) Applicant: **Origami Owl, LLC**, Chandler, AZ (US)

(72) Inventors: **Zyad M. Kadri**, Mesa, AZ (US);
Christian H. Weems, Gilbert, AZ (US)

(73) Assignee: **Origami Owl, LLC**, Chandler, AZ (US)

(*) Notice: This patent is subject to a terminal disclaimer.

(**) Term: **14 Years**

(21) Appl. No.: **29/477,124**

(22) Filed: **Dec. 19, 2013**

(51) **LOC (10) Cl.** **11-01**

(52) **U.S. Cl.**
USPC **D11/81; D11/56**

(58) **Field of Classification Search**

CPC A44C 25/001; A44C 25/007; A44C 17/02;
A44C 15/005; A44C 15/0055; A44C 1/00

USPC D11/1, 2, 7, 8, 43, 44, 47, 48, 56,
D11/79-86, 103, 26-39; 63/18, 19, 20,
63/26-28; D3/211; D8/347

See application file for complete search history.

(56) **References Cited**

U.S. PATENT DOCUMENTS

D140,548 S * 3/1945 Klein D11/26
D156,425 S * 12/1949 Katz D11/56

(Continued)

OTHER PUBLICATIONS

[Online] <http://www.origamiowl.com/PWPSHOWProduct.ashx?ProgramProductId=4175&ProgramCategoryId=5>.*

Primary Examiner — Garth Rademaker

Assistant Examiner — Melanie Pellegrini

(74) *Attorney, Agent, or Firm* — The Noblitt Group, PLLC

(57) **CLAIM**

The ornamental design for a heart-shaped locket, as shown and described.

DESCRIPTION

FIG. 1 is a perspective view of a heart-shaped locket;
FIG. 2 is a front view the heart-shaped locket shown in FIG. 1;

FIG. 3 is a back view the heart-shaped locket shown in FIG. 1;

FIG. 4 is a right side view of the heart-shaped locket shown in FIG. 1;

FIG. 5 is a left side view of the heart-shaped locket shown in FIG. 1;

FIG. 6 is a top view of the heart-shaped locket shown in FIG. 1;

FIG. 7 is bottom view the heart-shaped locket shown in FIG. 1;

FIG. 8 is an additional perspective view of the heart-shaped locket shown in FIG. 1;

FIG. 9 is a perspective view of an additional embodiment of a heart-shaped locket;

FIG. 10 is a front view the heart-shaped locket shown in FIG. 9;

FIG. 11 is a back view the heart-shaped locket shown in FIG. 9;

FIG. 12 is a right side view the heart-shaped locket shown in FIG. 9;

FIG. 13 is a left side view of the heart-shaped locket shown in FIG. 9;

FIG. 14 is a top view of the heart-shaped locket shown in FIG. 9;

FIG. 15 is a bottom view of the heart-shaped locket shown in FIG. 9;

FIG. 16 is an additional perspective view of the heart-shaped locket shown in FIG. 9;

FIG. 17 is a perspective view of an additional embodiment of a heart-shaped locket;

FIG. 18 is a front view the heart-shaped locket shown in FIG. 17;

FIG. 19 is a back view the heart-shaped locket shown in FIG. 17;

FIG. 20 is a right side view the heart-shaped locket shown in FIG. 17;

FIG. 21 is a left side view of the heart-shaped locket shown in FIG. 17;

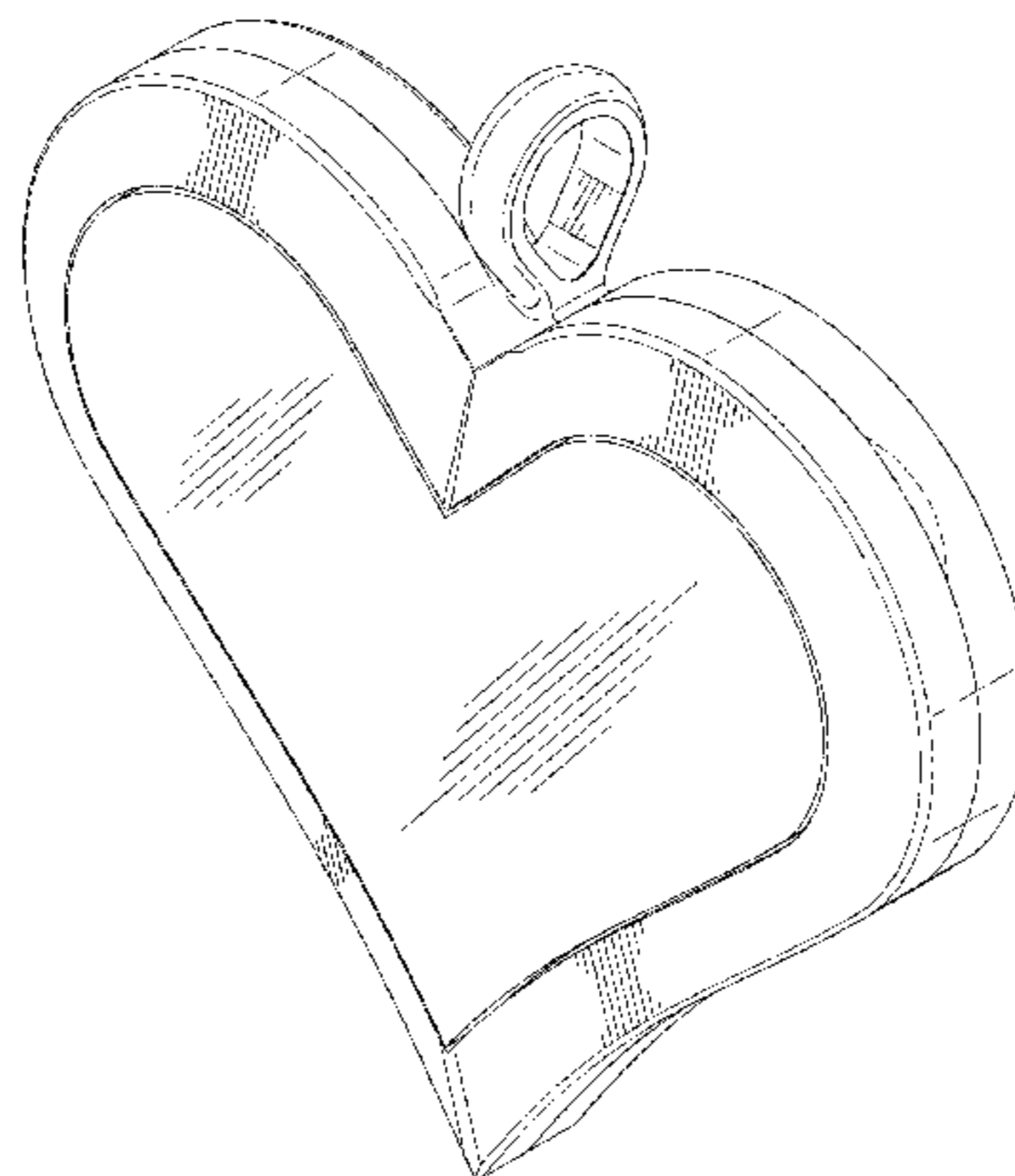
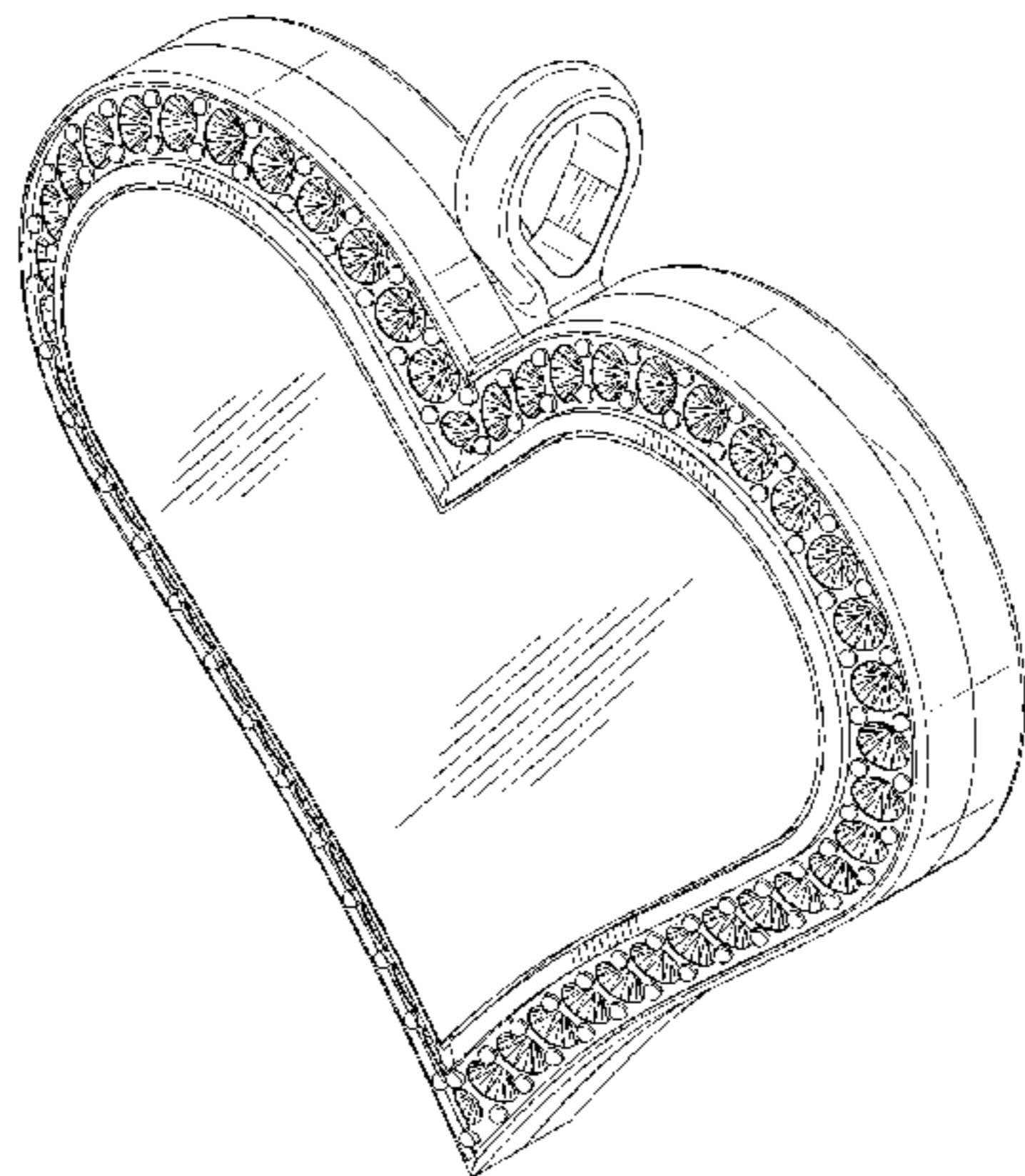
FIG. 22 is a top view of the heart-shaped locket shown in FIG. 17;

FIG. 23 is a bottom view of the heart-shaped locket shown in FIG. 17; and,

FIG. 24 is an additional perspective view of the heart-shaped locket shown in FIG. 17.

The broken lines shown in the drawings illustrate portions of the heart-shaped locket that form no part of the claimed design.

1 Claim, 18 Drawing Sheets



(56)

References Cited

U.S. PATENT DOCUMENTS

D245,591 S *	8/1977	Rieger et al.	D11/44	D556,631 S *	12/2007	Smyth	D11/211
D263,571 S *	3/1982	Beier	D11/80	D575,667 S *	8/2008	Mudrick	D11/103
D263,813 S *	4/1982	Buschmann	D11/83	D589,391 S *	3/2009	Sandberg	D11/86
D333,447 S *	2/1993	Butler, Jr.	D11/80	D598,803 S *	8/2009	Momjian	D11/81
D375,702 S *	11/1996	Regan	D11/81	D599,244 S *	9/2009	Momjian	D11/81
D395,842 S *	7/1998	Kenna	D11/81	D602,809 S *	10/2009	Castaline et al.	D11/103
6,324,868 B1 *	12/2001	Chen et al.	63/1.14	D619,353 S *	7/2010	Ash	D3/208
D455,670 S *	4/2002	Kurylo	D11/81	D620,828 S *	8/2010	Djordjevic	D11/1
6,804,977 B1 *	10/2004	Grabelle	63/3.1	D620,829 S *	8/2010	Djordjevic	D11/1
D528,036 S *	9/2006	Pang	D11/103	D620,830 S *	8/2010	Djordjevic	D11/1
D553,539 S *	10/2007	Arasheben et al.	D11/83	D621,292 S *	8/2010	Phillips	D11/56
				D628,934 S *	12/2010	Fernandez Rives	D11/79
				D680,462 S *	4/2013	Dholakiya	D11/1
				D690,617 S *	10/2013	Lawlor et al.	D11/103

* cited by examiner

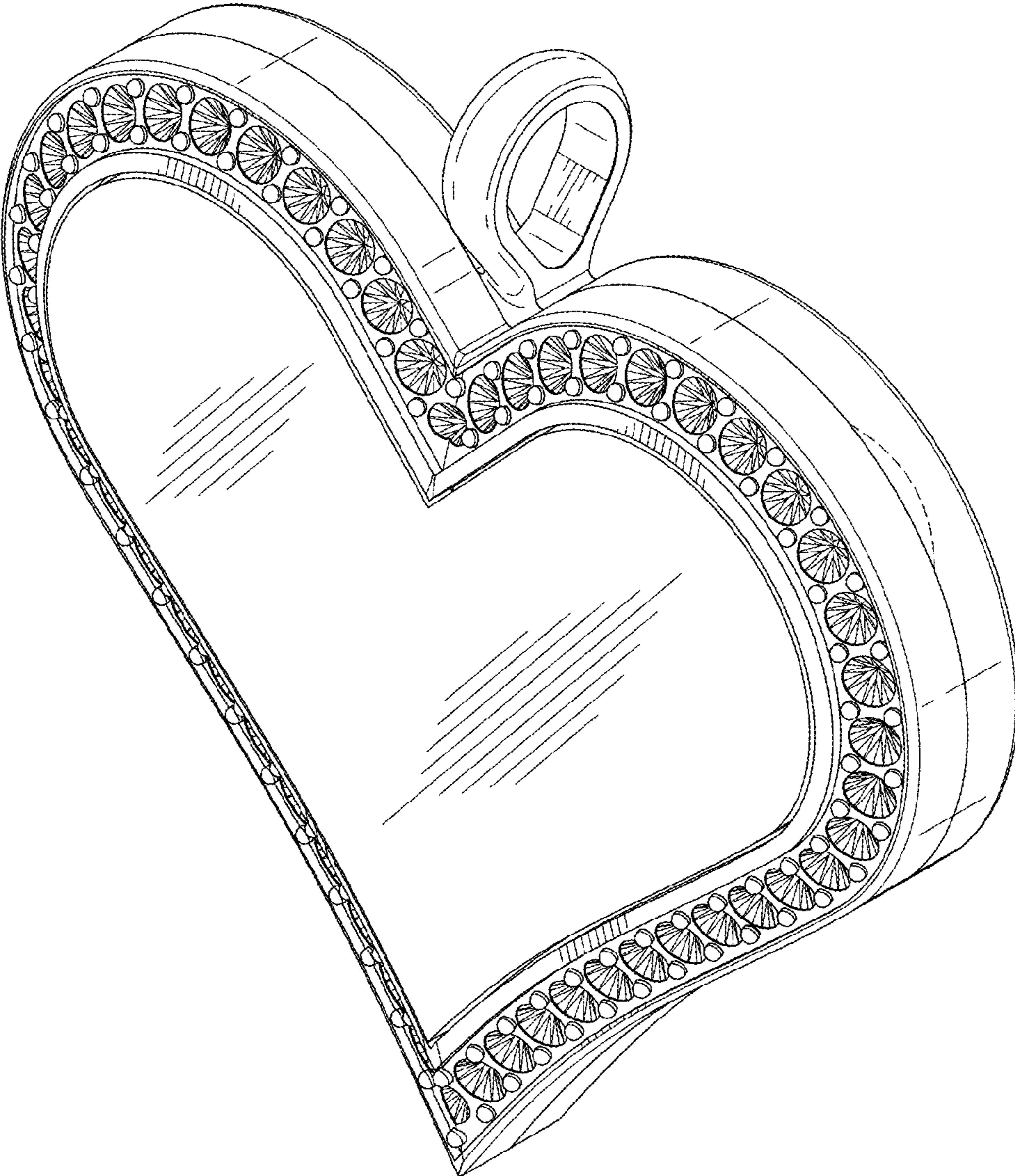


FIG. 1



FIG. 2

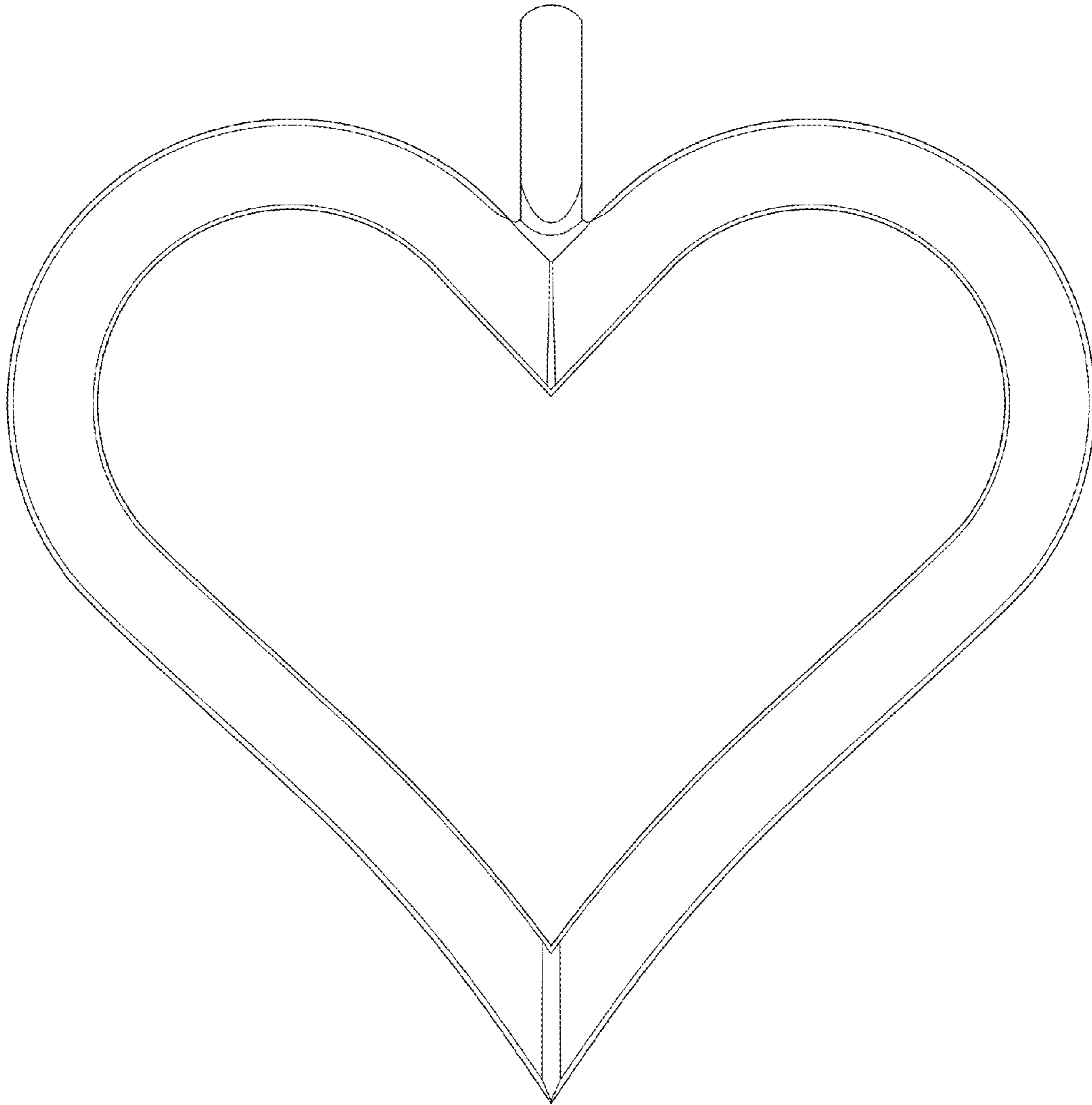


FIG. 3

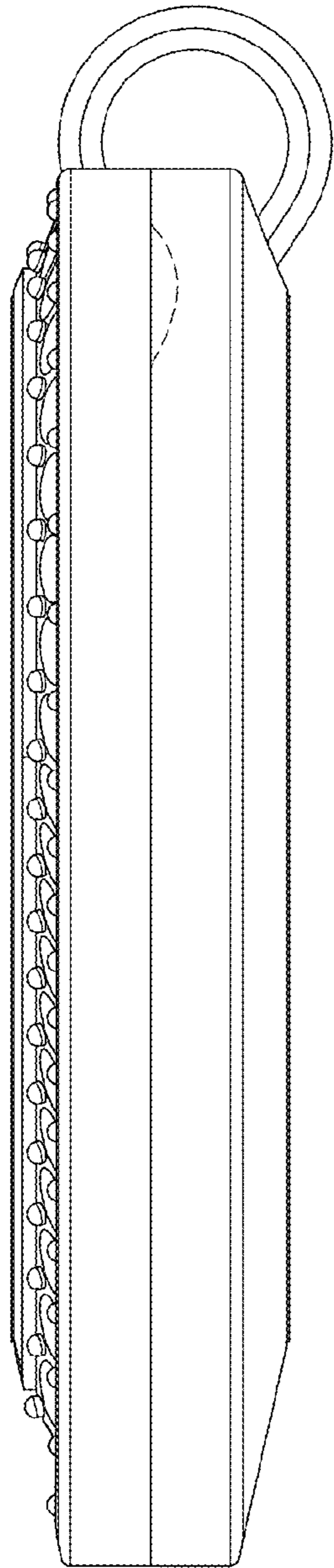


FIG. 4

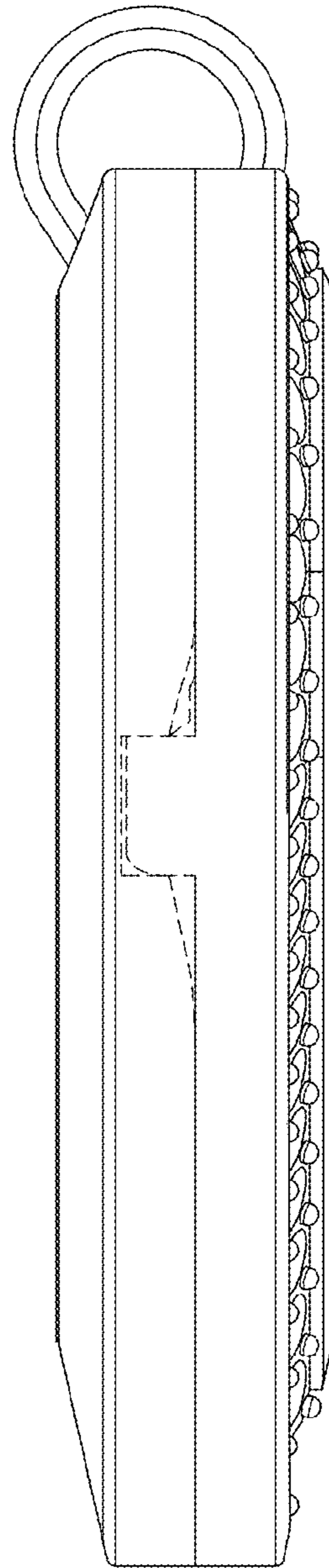


FIG. 5

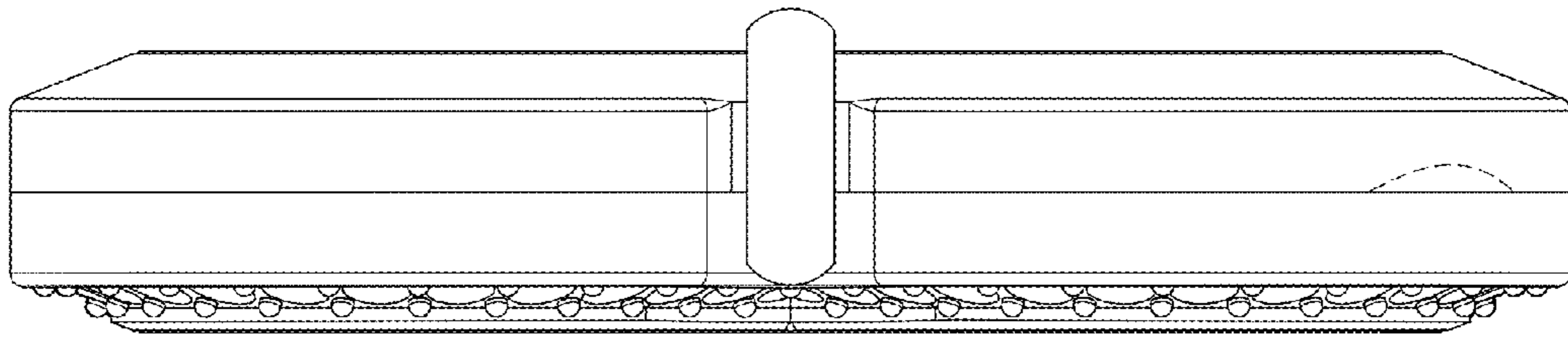


FIG. 6

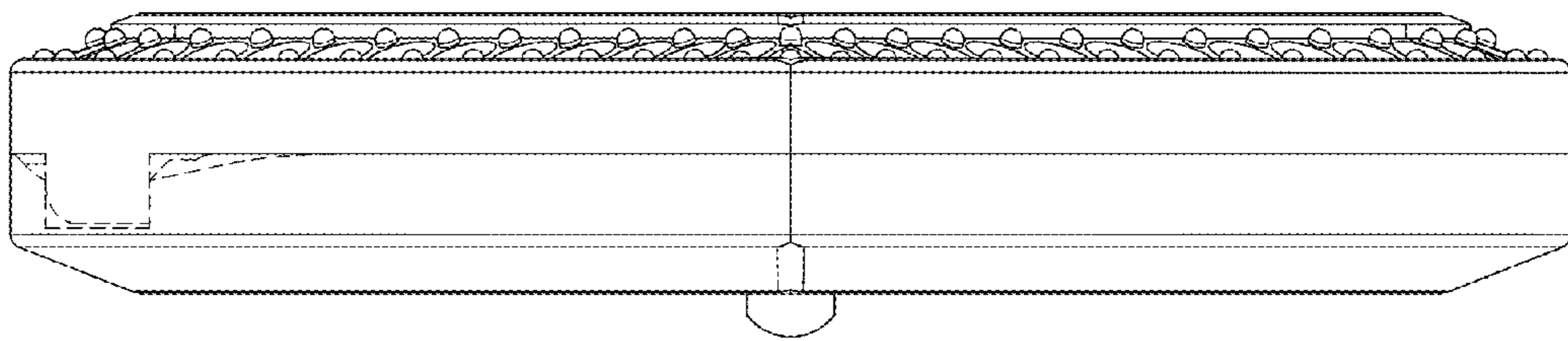


FIG. 7

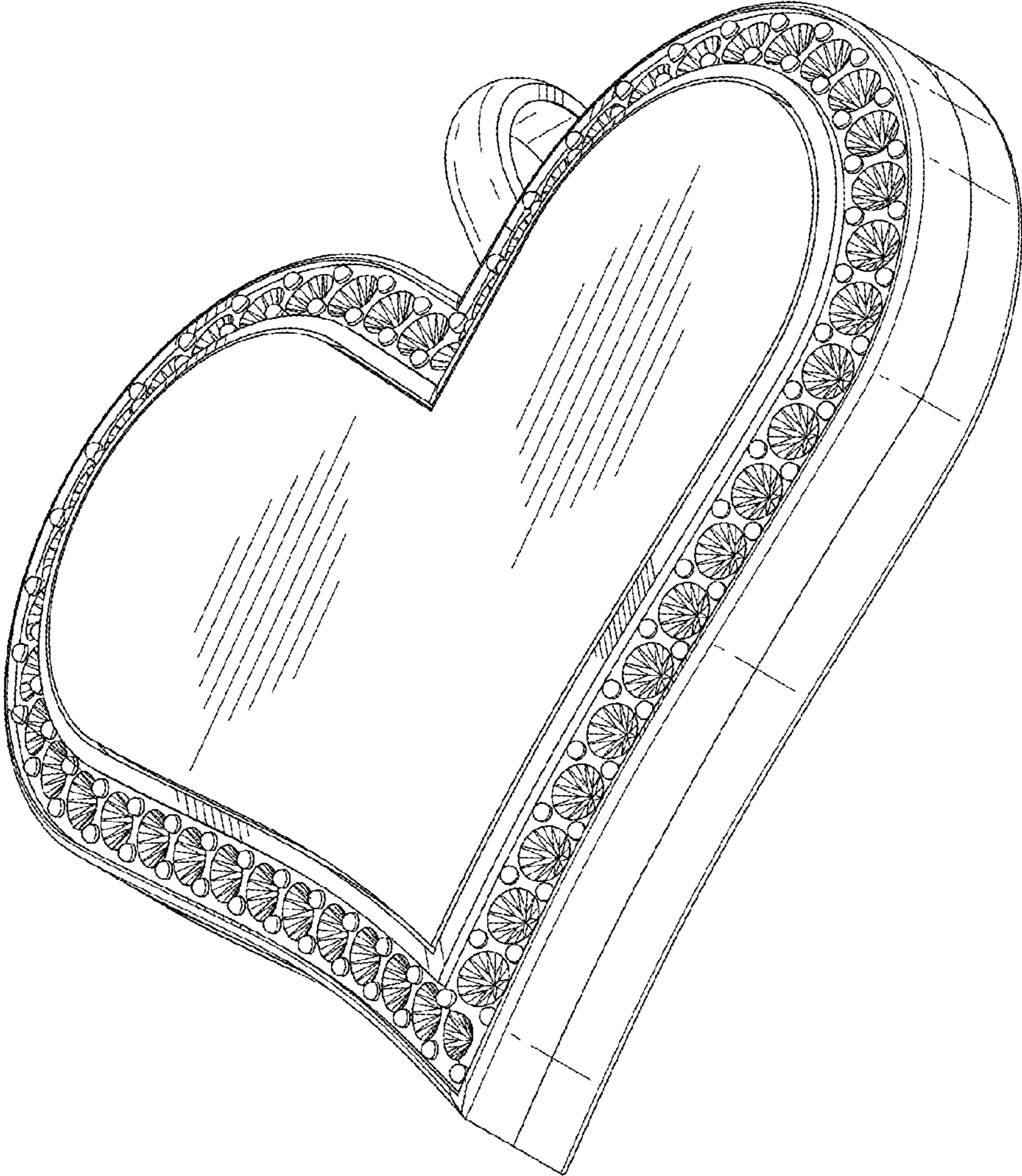


FIG. 8

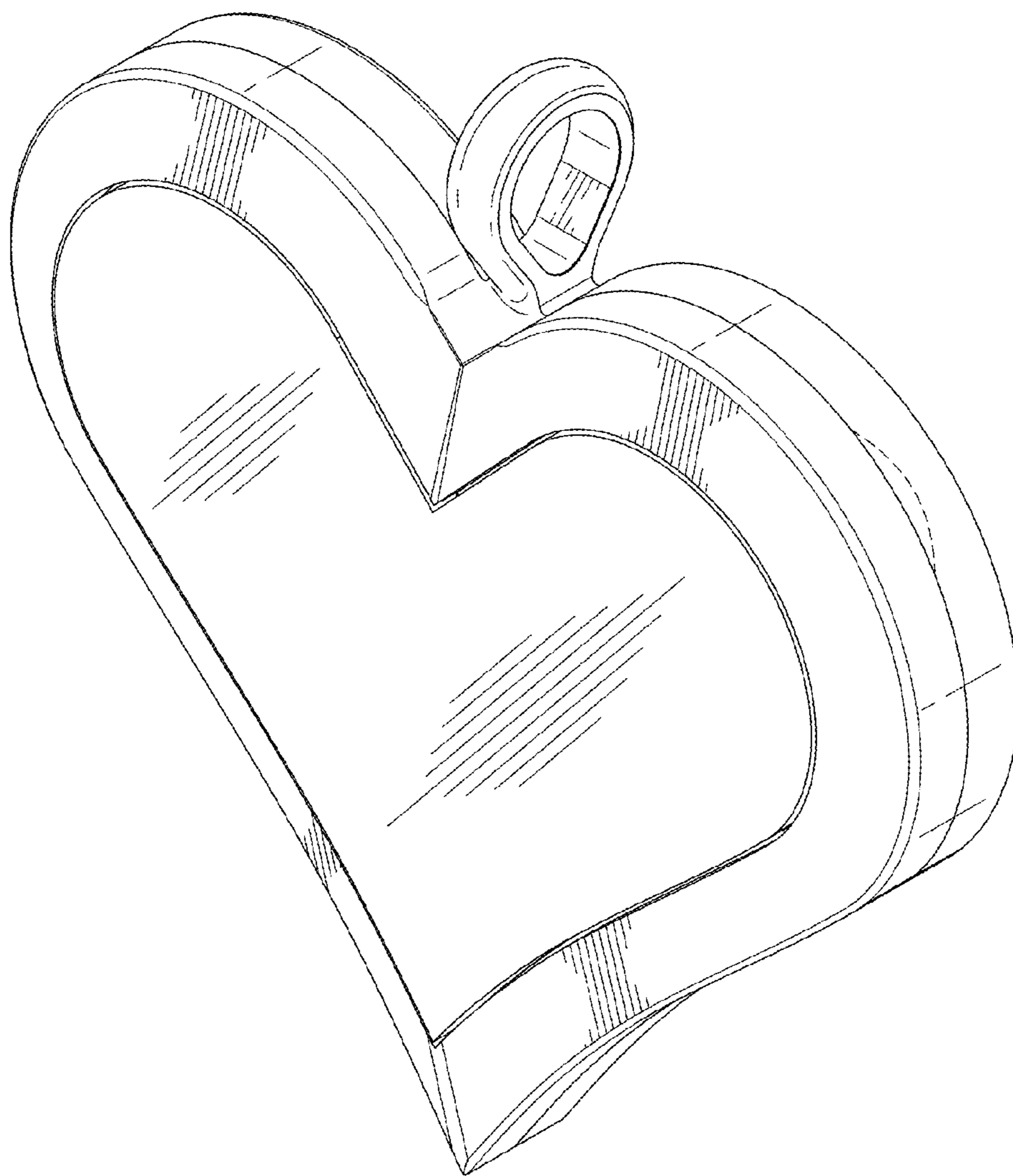


FIG. 9

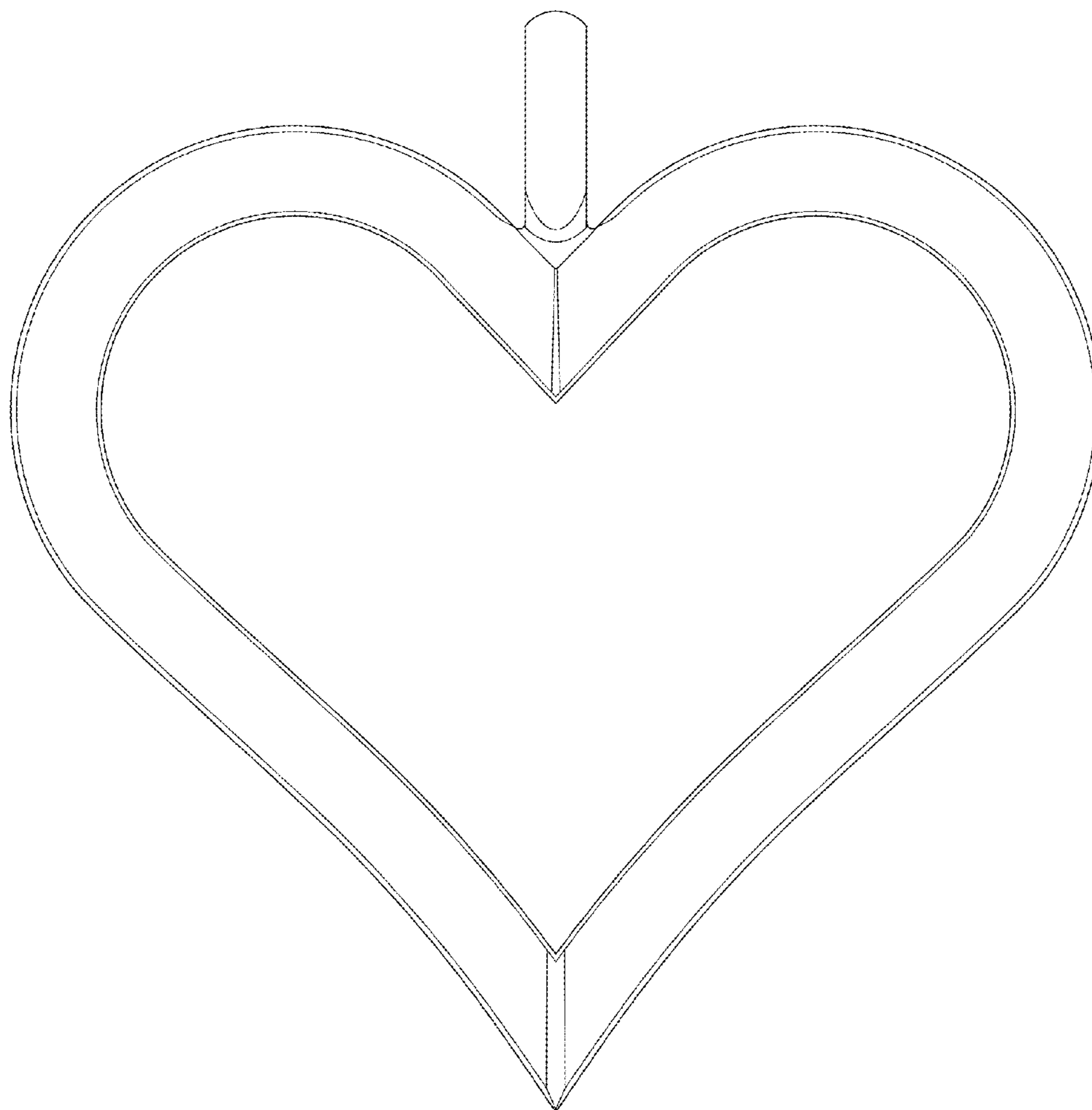


FIG. 10

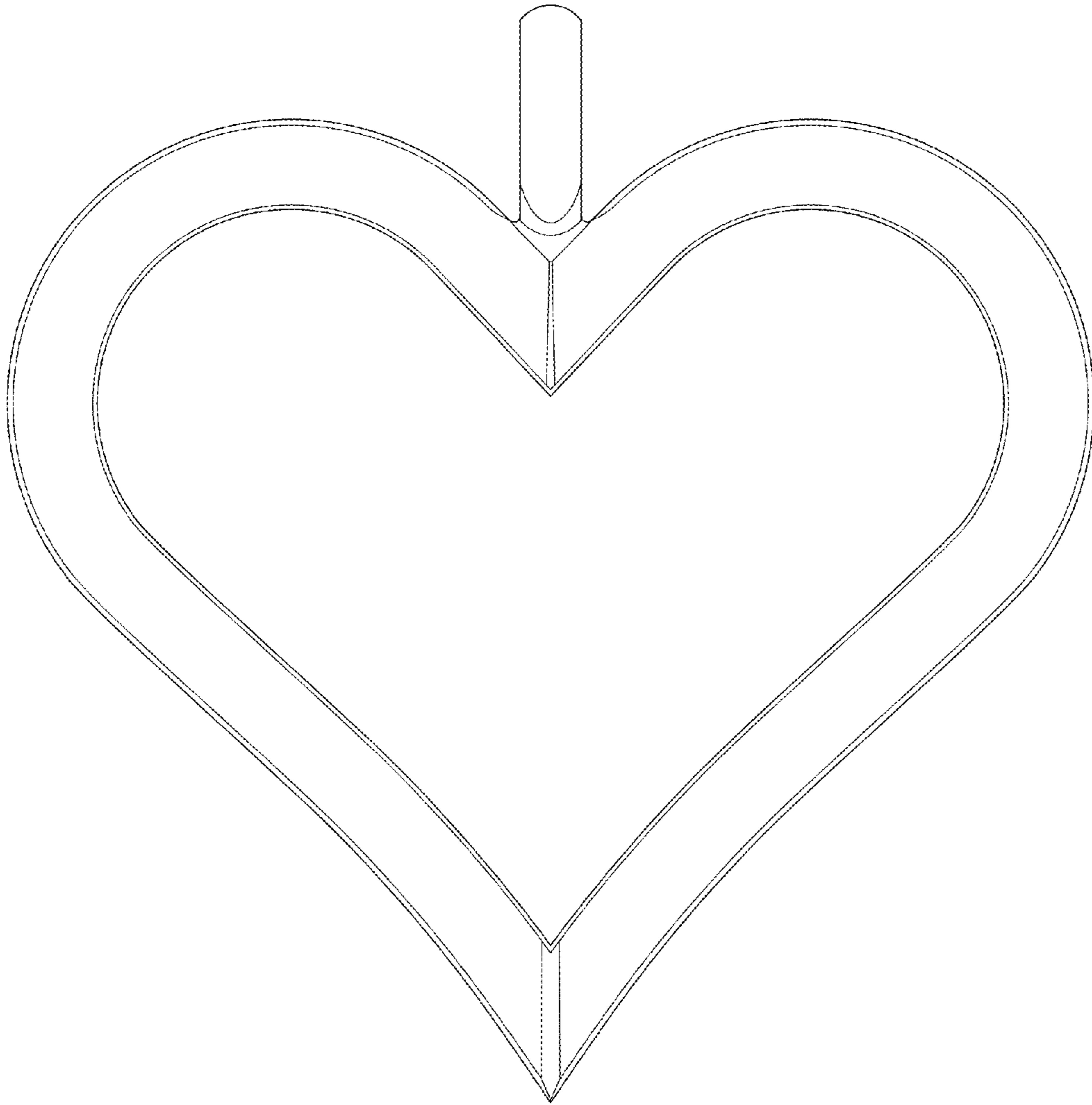


FIG. 11

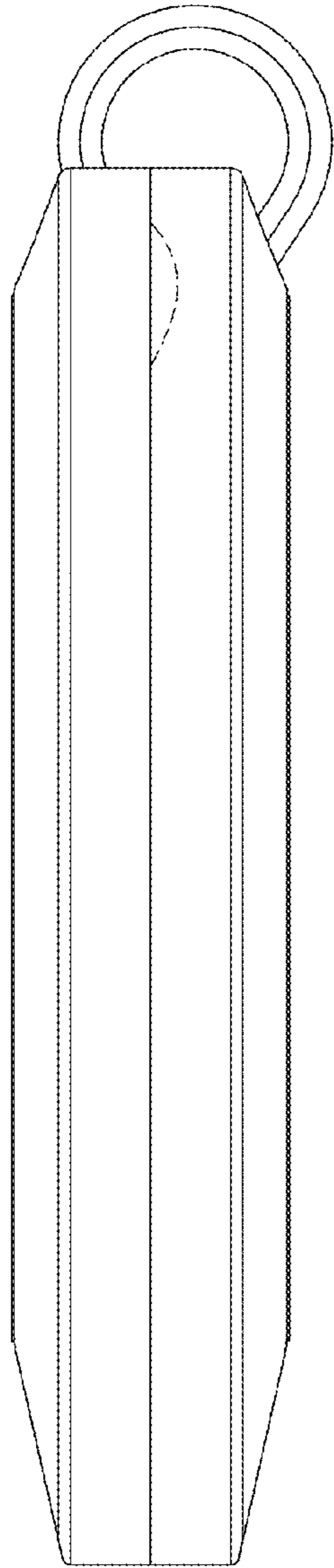


FIG. 12

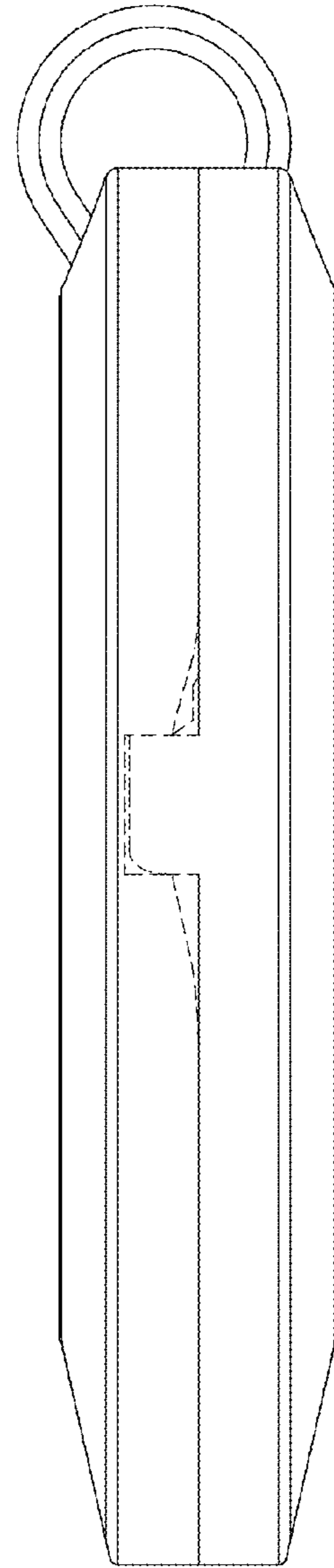


FIG. 13

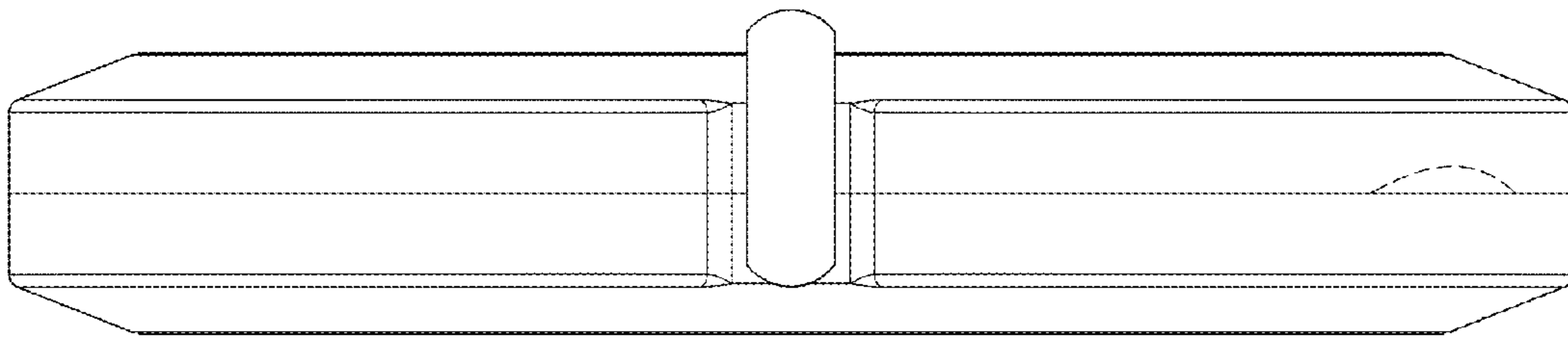


FIG. 14

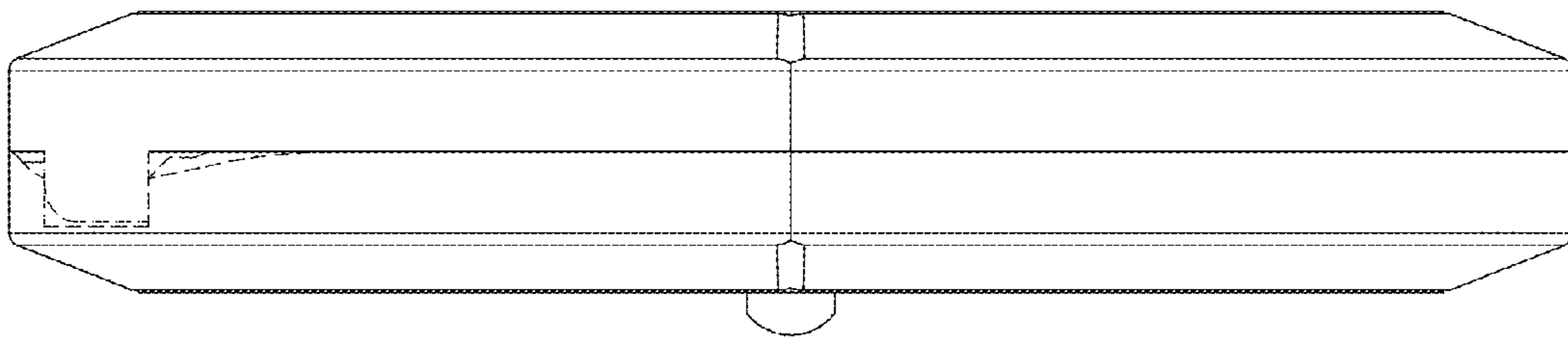


FIG. 15

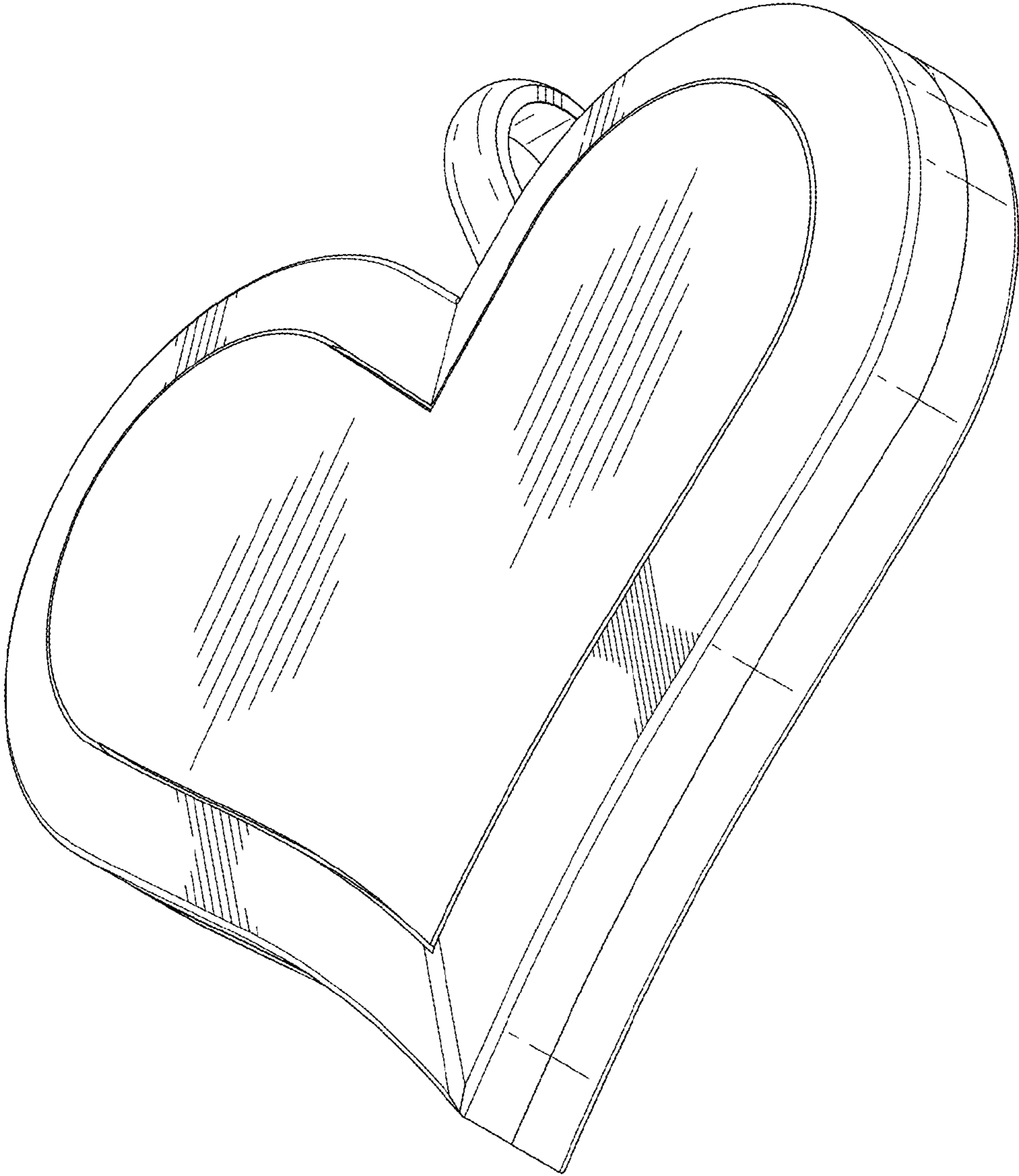


FIG. 16

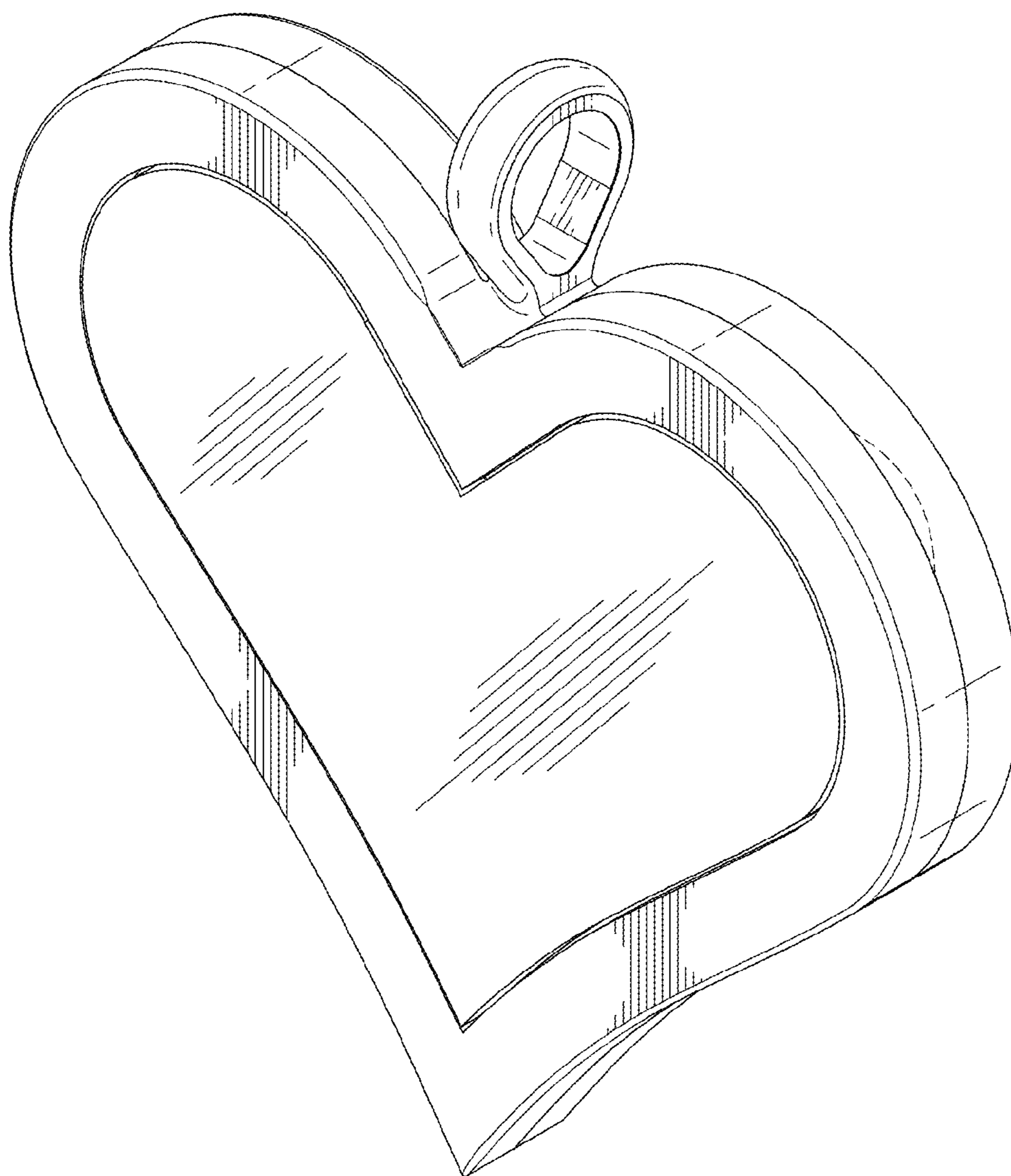


FIG. 17

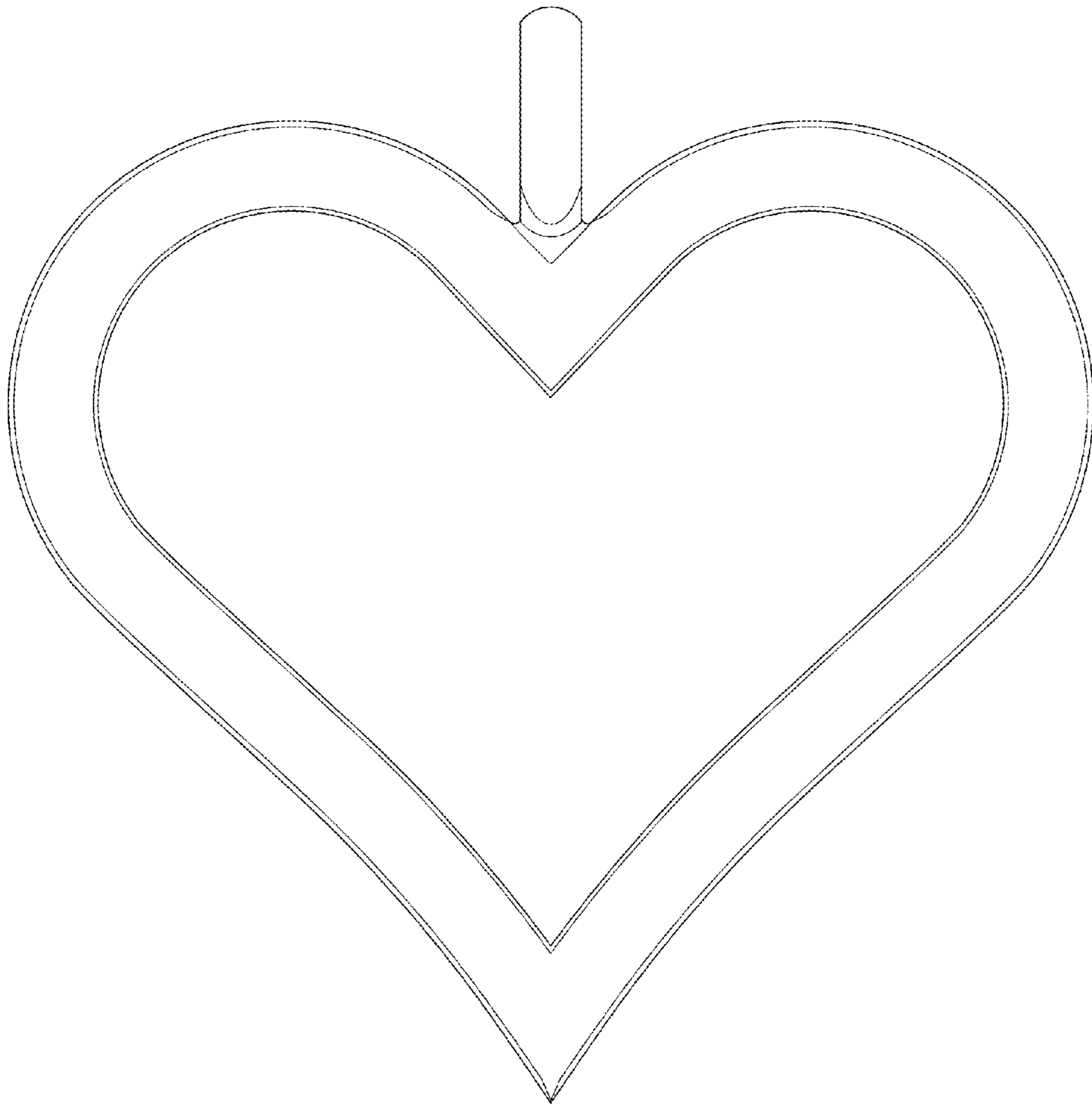


FIG. 18

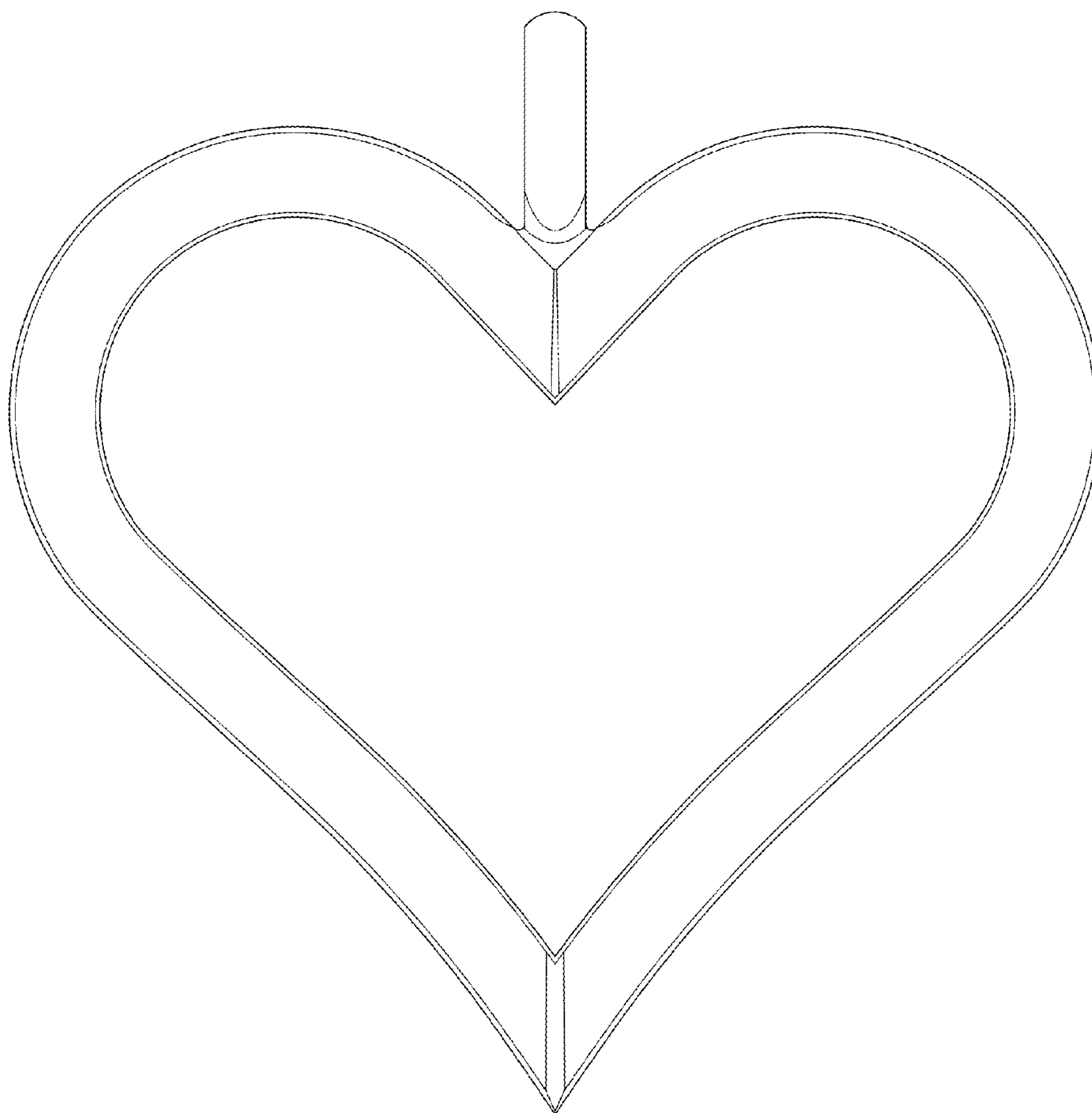


FIG. 19

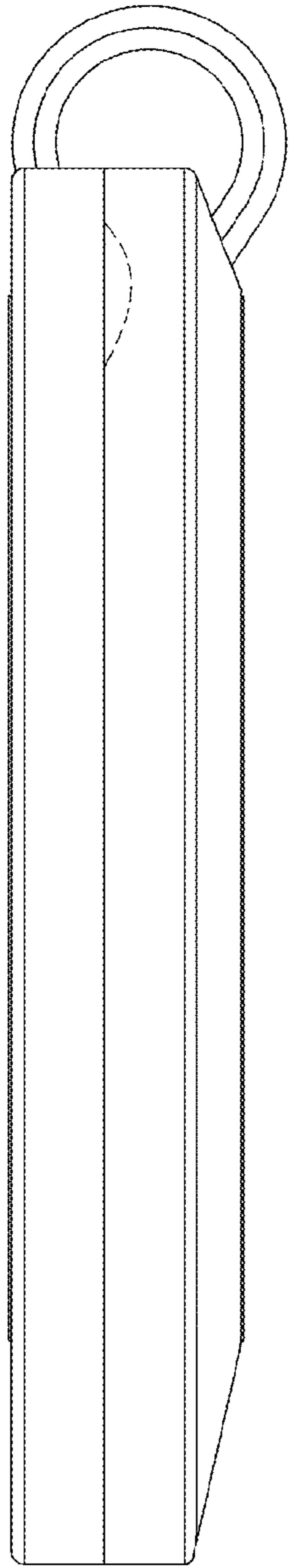


FIG. 20

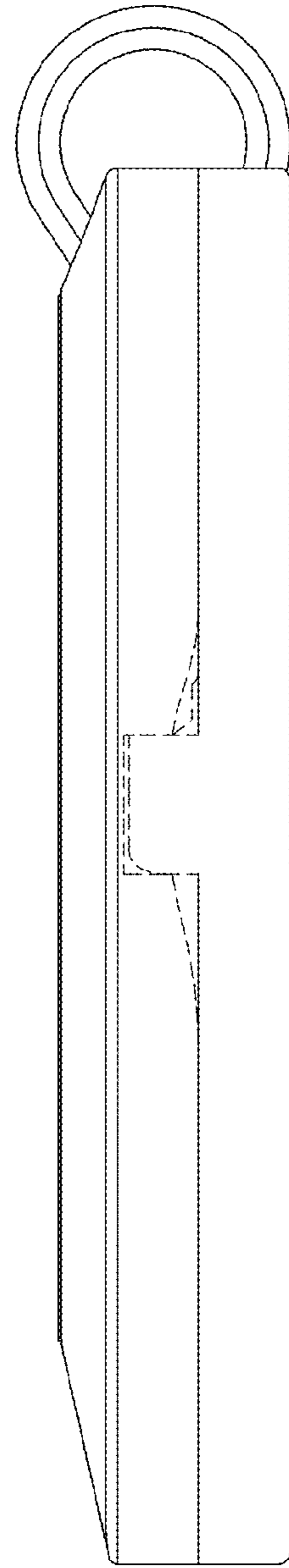


FIG. 21

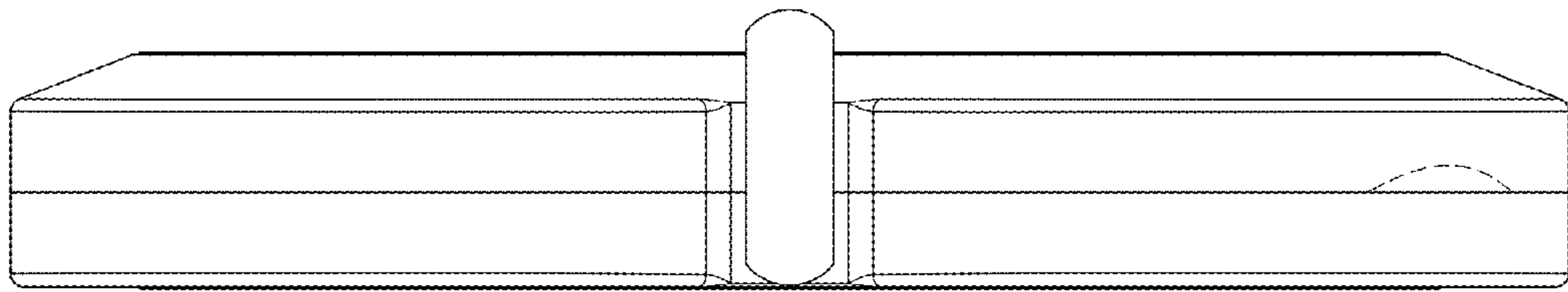


FIG. 22

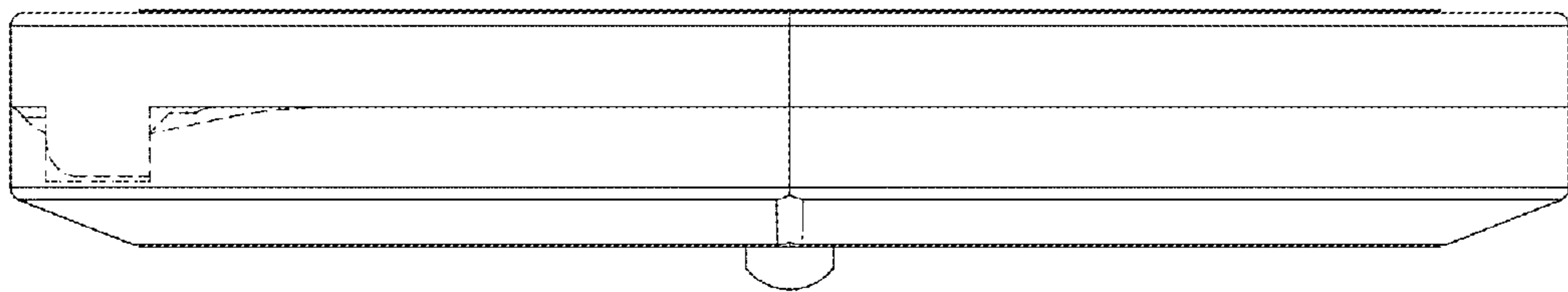


FIG. 23

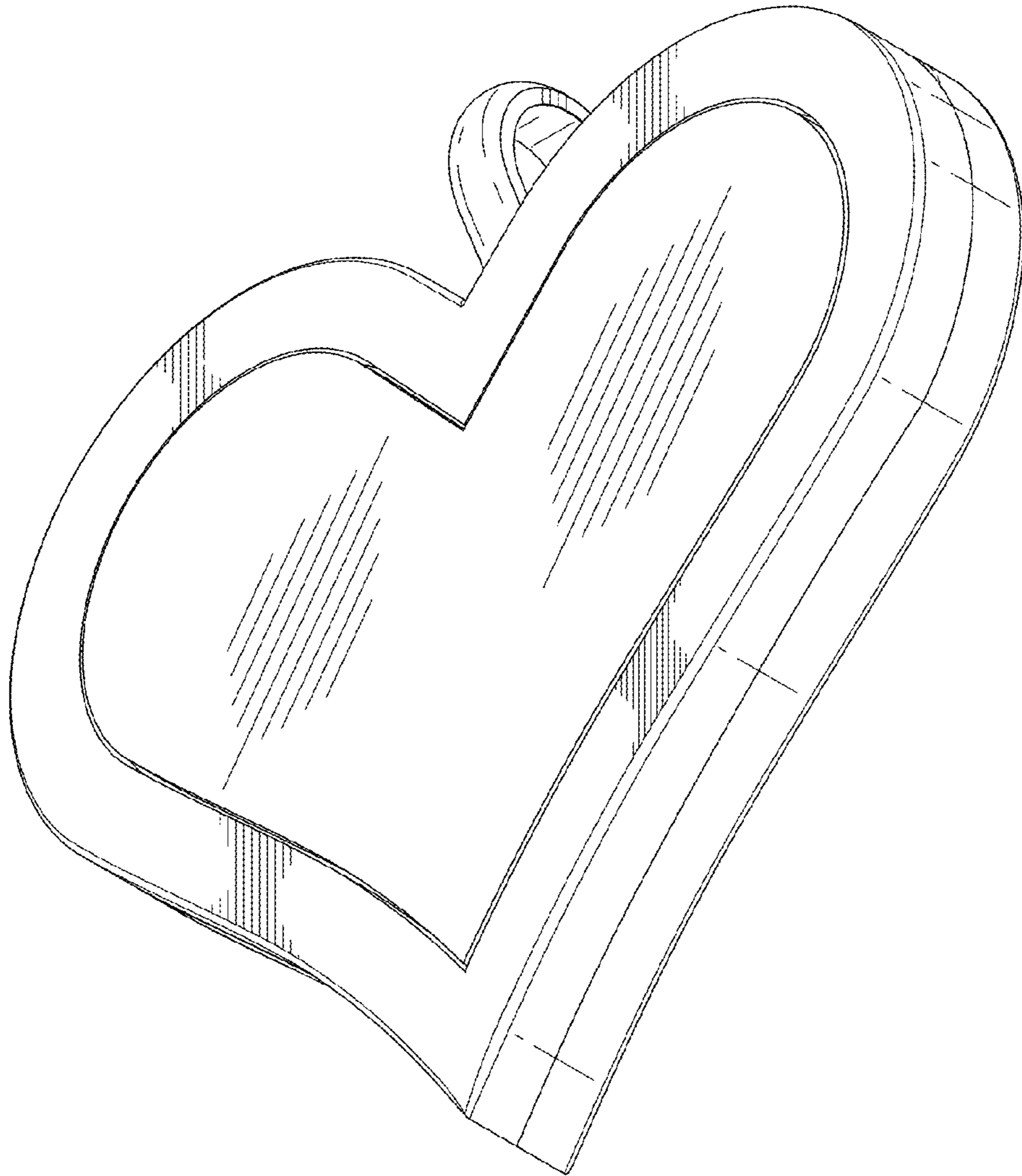


FIG. 24