



US00D711277S

(12) **United States Design Patent**  
**Slimane**

(10) **Patent No.:** **US D711,277 S**

(45) **Date of Patent:** **\*\* Aug. 19, 2014**

(54) **NECKLACE**

(71) Applicant: **Yves Saint Laurent**, Paris (FR)

(72) Inventor: **Hedi Slimane**, West Hollywood, CA (US)

(73) Assignee: **Yves Saint Laurent**, Paris (FR)

(\*\*) Term: **14 Years**

(21) Appl. No.: **29/468,582**

(22) Filed: **Oct. 1, 2013**

(51) **LOC (10) Cl.** ..... **11-01**

(52) **U.S. Cl.**  
USPC ..... **D11/8**

(58) **Field of Classification Search**  
USPC ..... D11/1-26; 63/3, 3.1, 3.2, 15,  
63/15.1-15.4, 15.45, 15.5, 15.6, 15.65,  
63/15.7, 4, 5.1, 18-20, 38, 1.11, 35, 39;  
D30/160

See application file for complete search history.

(56) **References Cited**

**U.S. PATENT DOCUMENTS**

D146,584 S *	4/1947	Philippe	.....	D11/8
D158,555 S *	5/1950	Chernow	.....	D11/8
D158,861 S *	6/1950	Katz	.....	D11/8
D161,760 S *	1/1951	Katz	.....	D11/8
D163,137 S *	5/1951	Philippe	.....	D11/8
D176,756 S *	1/1956	Cowell	.....	D2/607
D250,180 S *	11/1978	Rigney	.....	D11/8
D486,750 S *	2/2004	Giudicelli	.....	D11/3
D655,637 S *	3/2012	Calderone	.....	D11/3

**OTHER PUBLICATIONS**

[Online] <http://www.shopbop.com/bohemian-fox-necklace-karen-london/vp/v=1/1573066889.htm?folderID=2534374302060432&fm=other-shopbysize-viewall&colorId=19435>. Accessed Mar. 30, 2014.\*

[Online] <http://www.clothia.com/item/show/124067/saint-laurent-opium-double-tassel-necklace>. Accessed Mar. 30, 2014.\*

[Online] [http://www.ysl.com/gb/shop-product/women/jewellery-long-necklace-opium-double-tassel-necklace-in-gold-toned-brass\\_cod50146789if.html](http://www.ysl.com/gb/shop-product/women/jewellery-long-necklace-opium-double-tassel-necklace-in-gold-toned-brass_cod50146789if.html). Accessed Mar. 30, 2014.\*

\* cited by examiner

*Primary Examiner* — Cathron Brooks

*Assistant Examiner* — Melanie Pellegrini

(74) *Attorney, Agent, or Firm* — Donald J. Ranft; Collen IP

(57) **CLAIM**

The ornamental design for a necklace, as shown and described.

**DESCRIPTION**

FIG. 1 is a front perspective view of a necklace showing my new design;

FIG. 2 is a front view thereof;

FIG. 3 is a rear view thereof;

FIG. 4 is a left side view thereof;

FIG. 5 is a right side view thereof;

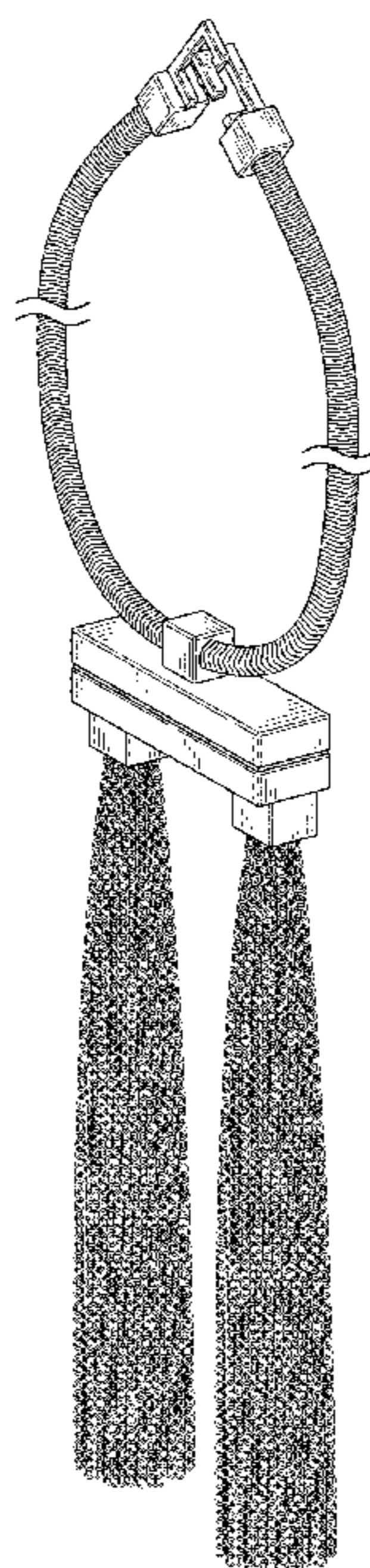
FIG. 6 is a top thereof;

FIG. 7 is a bottom view thereof; and,

FIG. 8 is another perspective view thereof.

The necklace is shown broken away in FIGS. 1-5 for convenience of illustration, and the actual length of the necklace is shown in FIG. 8.

**1 Claim, 6 Drawing Sheets**



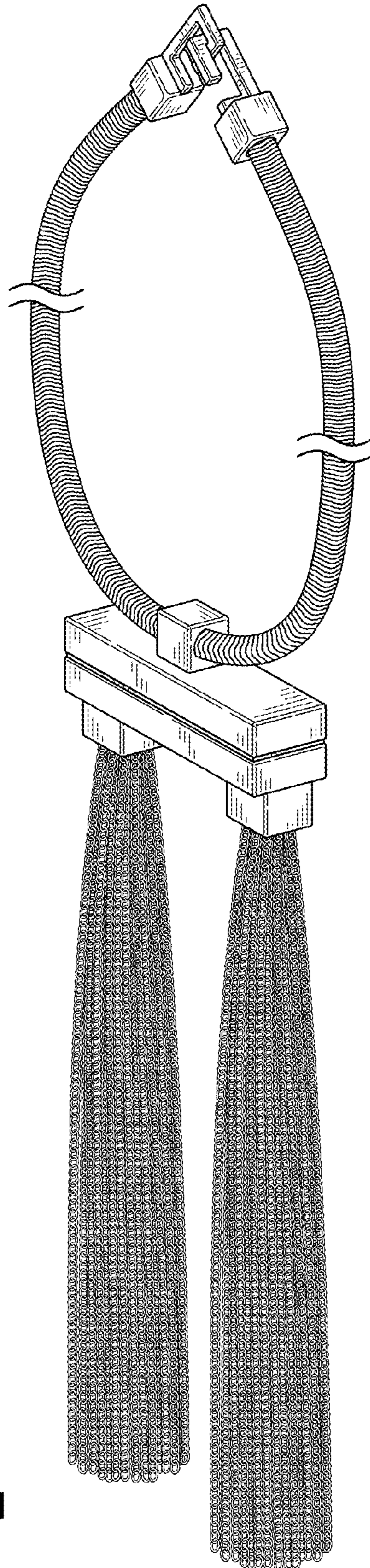


FIG. 1

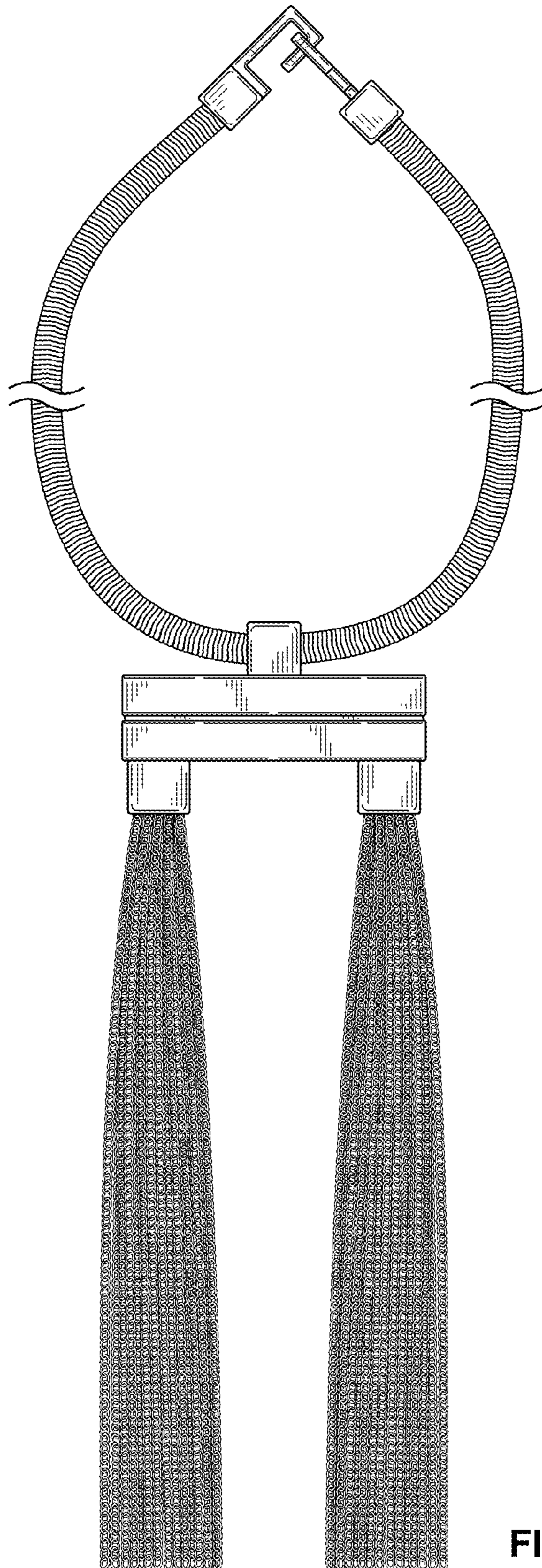


FIG. 2

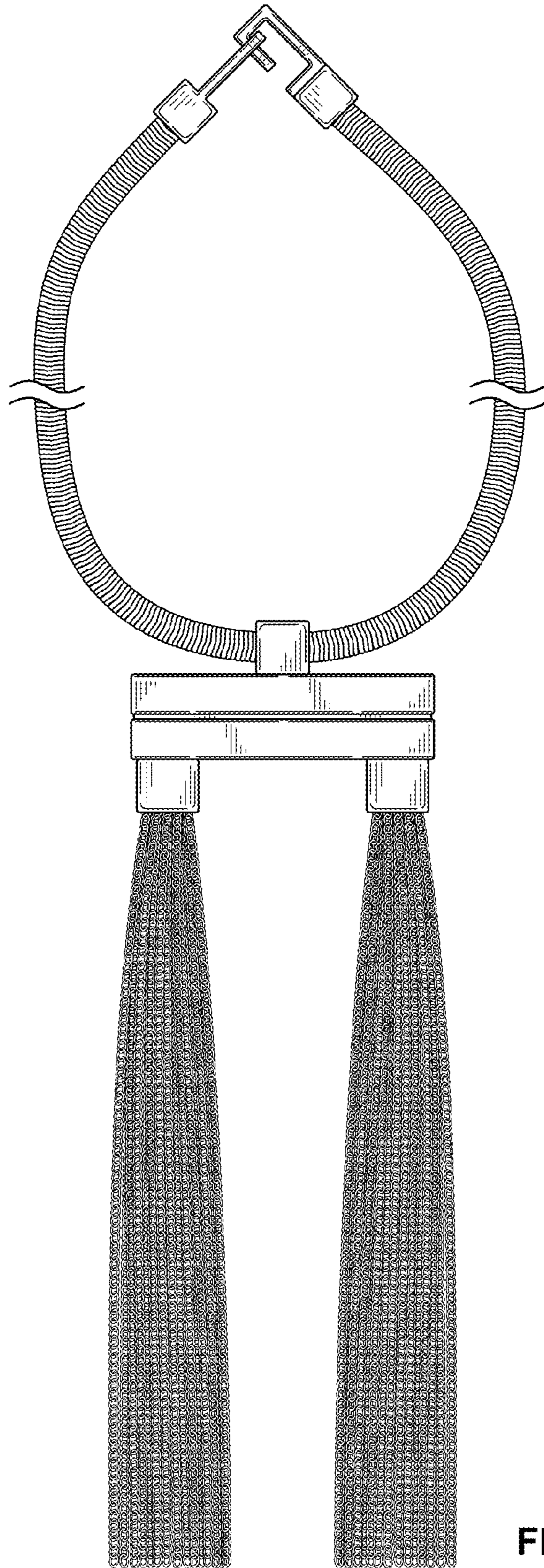
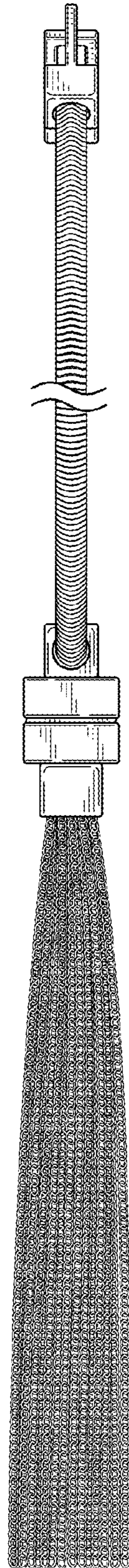
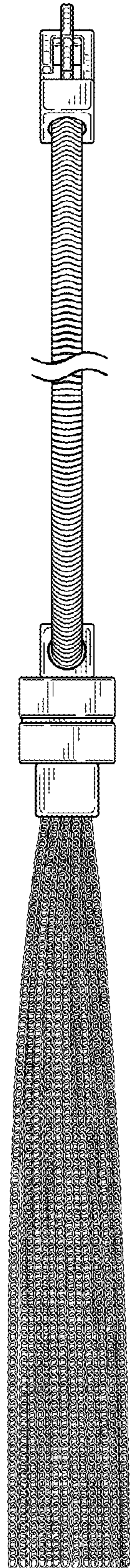


FIG. 3



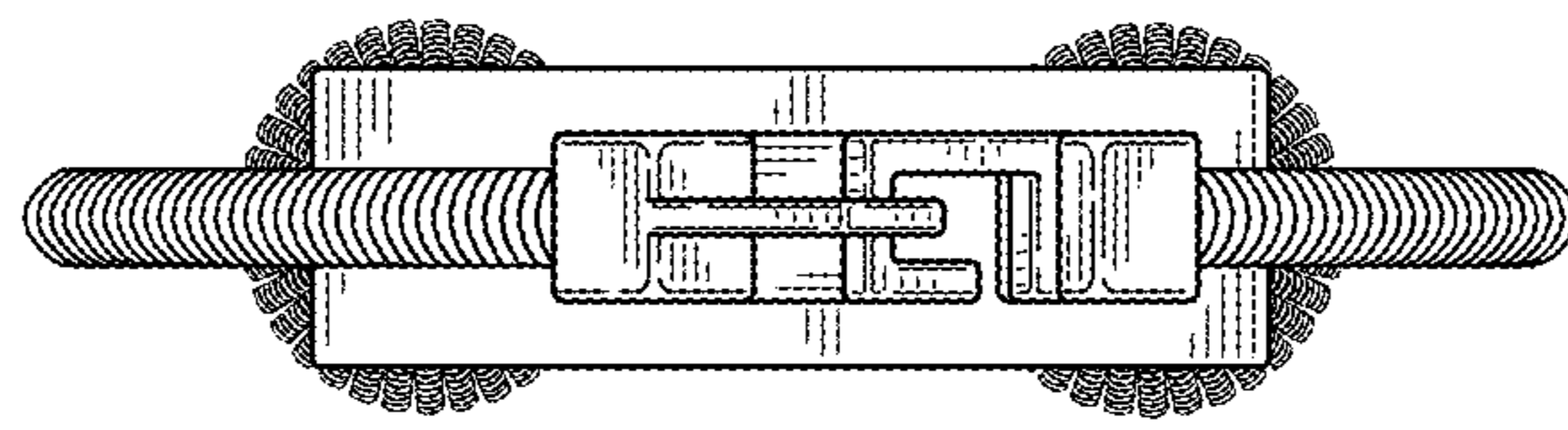


FIG. 6

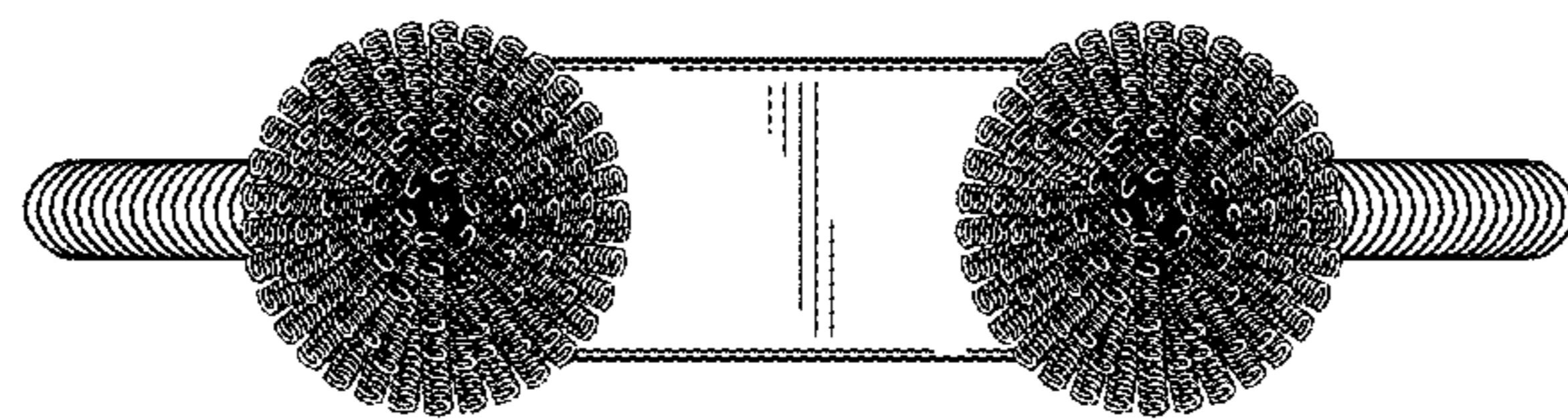


FIG. 7

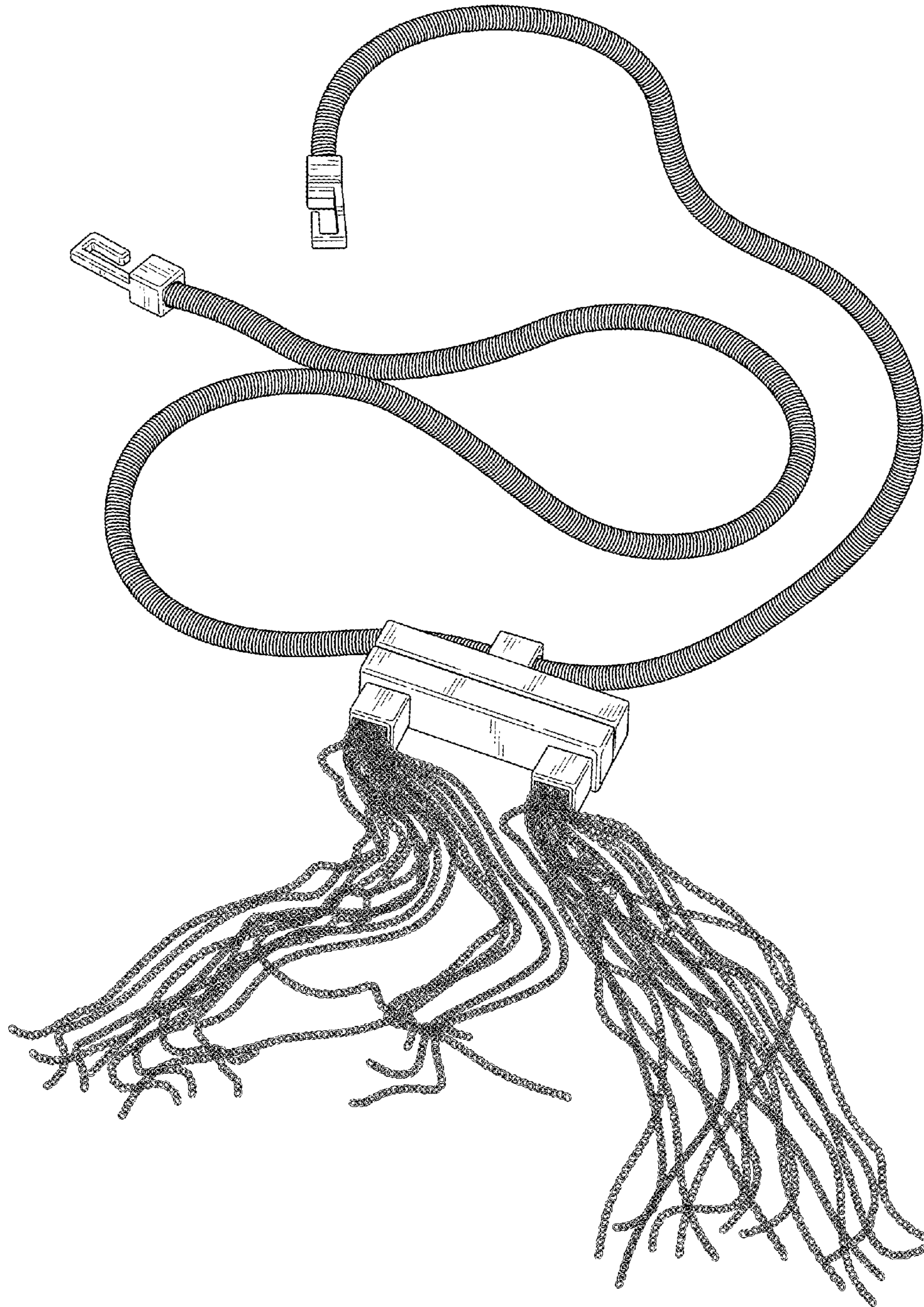


FIG. 8