



US00D711276S

(12) **United States Design Patent**
Fehsenfeld et al.

(10) **Patent No.:** **US D711,276 S**

(45) **Date of Patent:** **** Aug. 19, 2014**

(54) **PERSONAL JEWELRY**

(75) Inventors: **Hillary H. Fehsenfeld**, Exeter, RI (US);
Deborah G. Guthrie, Exeter, RI (US)

(73) Assignee: **Creative Commodities Inc.**, Exeter, RI (US)

(**) Term: **14 Years**

(21) Appl. No.: **29/417,565**

(22) Filed: **Apr. 5, 2012**

(51) **LOC (10) Cl.** **11-01**

(52) **U.S. Cl.**
USPC **D11/1; D11/93**

(58) **Field of Classification Search**
USPC D11/1-25, 79-86, 93; 63/18, 20, 38,
63/39, 1.11; 59/80, 82, 85, 95, 87, 88, 90,
59/900

See application file for complete search history.

(56) **References Cited**

U.S. PATENT DOCUMENTS

D114,963	S	*	5/1939	Payne, IV	D11/16
D123,719	S	*	11/1940	Ungar	D11/16
2,257,579	A	*	9/1941	Starr	59/91
D164,629	S	*	9/1951	Fels	D11/11
2,714,269	A	*	8/1955	Charles	59/80
2,972,833	A	*	2/1961	La Grutta	446/121
2,996,832	A	*	8/1961	Rubin	446/111
3,685,284	A	*	8/1972	Taubner, Jr.	59/80
D227,395	S	*	6/1973	Patterson	D11/86
D257,017	S	*	9/1980	Barr	D11/16
D314,929	S	*	2/1991	Chia et al.	D11/6
D353,196	S	*	12/1994	Savage et al.	D24/134
5,440,900	A	*	8/1995	White	63/38
D404,334	S	*	1/1999	Welsh	D11/26
5,979,184	A	*	11/1999	Razza	63/1.11
6,023,946	A	*	2/2000	Magi	63/9

D467,612	S	*	12/2002	Shamitoff	D19/42
7,131,743	B2	*	11/2006	Leason et al.	362/104
D558,635	S	*	1/2008	Glassman	D11/80
7,503,187	B2	*	3/2009	Richardson	63/38
D590,289	S	*	4/2009	Karpman	D11/7
7,712,332	B2	*	5/2010	Wright	63/3
D631,780	S	*	2/2011	Levy	D11/87
D651,114	S	*	12/2011	Bedrossian	D11/1
8,112,890	B2	*	2/2012	Collison	29/896.41
D657,828	S	*	4/2012	Arnold et al.	D21/500
D674,718	S	*	1/2013	Collison	D11/1

* cited by examiner

Primary Examiner — Cathron Brooks

Assistant Examiner — Melanie Pellegrini

(74) *Attorney, Agent, or Firm* — Salter & Michaelson

(57) **CLAIM**

The ornamental design for personal jewelry, as shown and described.

DESCRIPTION

FIG. 1 is a perspective view of personal jewelry, showing our new design;

FIG. 2 is a top plan view thereof;

FIG. 3 is a bottom plan view thereof;

FIG. 4 is a right side elevational view thereof;

FIG. 5 is a left side elevational view thereof;

FIG. 6 is a front elevational view thereof;

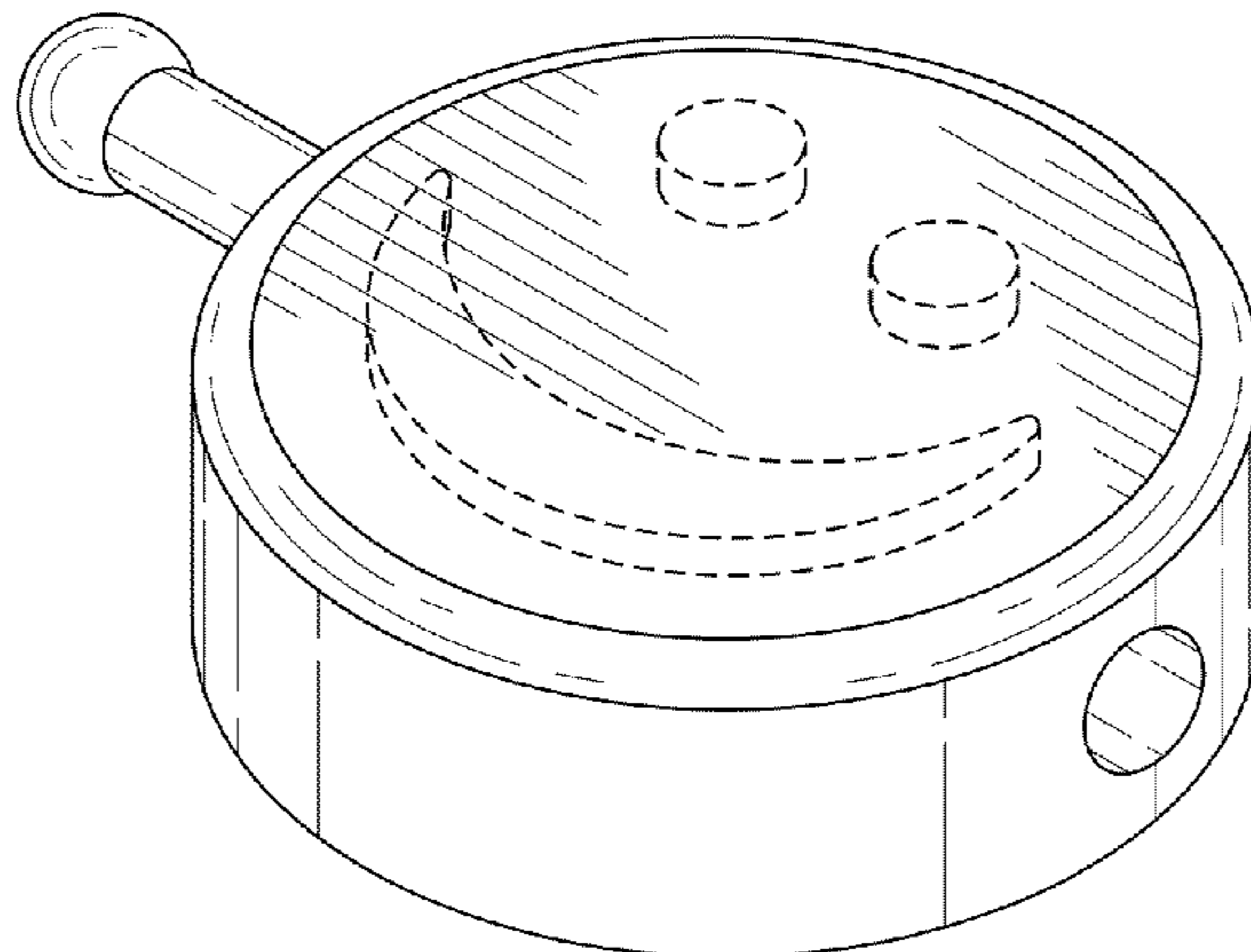
FIG. 7 is a rear elevational view thereof; and

FIG. 8 is a top perspective view thereof shown in an alternate environment; and,

FIG. 9 is an additional top perspective view thereof shown in an alternate environment.

The broken lines shown in the drawings represent environmental matter and portions of the personal jewelry and form no part of the claimed design.

1 Claim, 5 Drawing Sheets



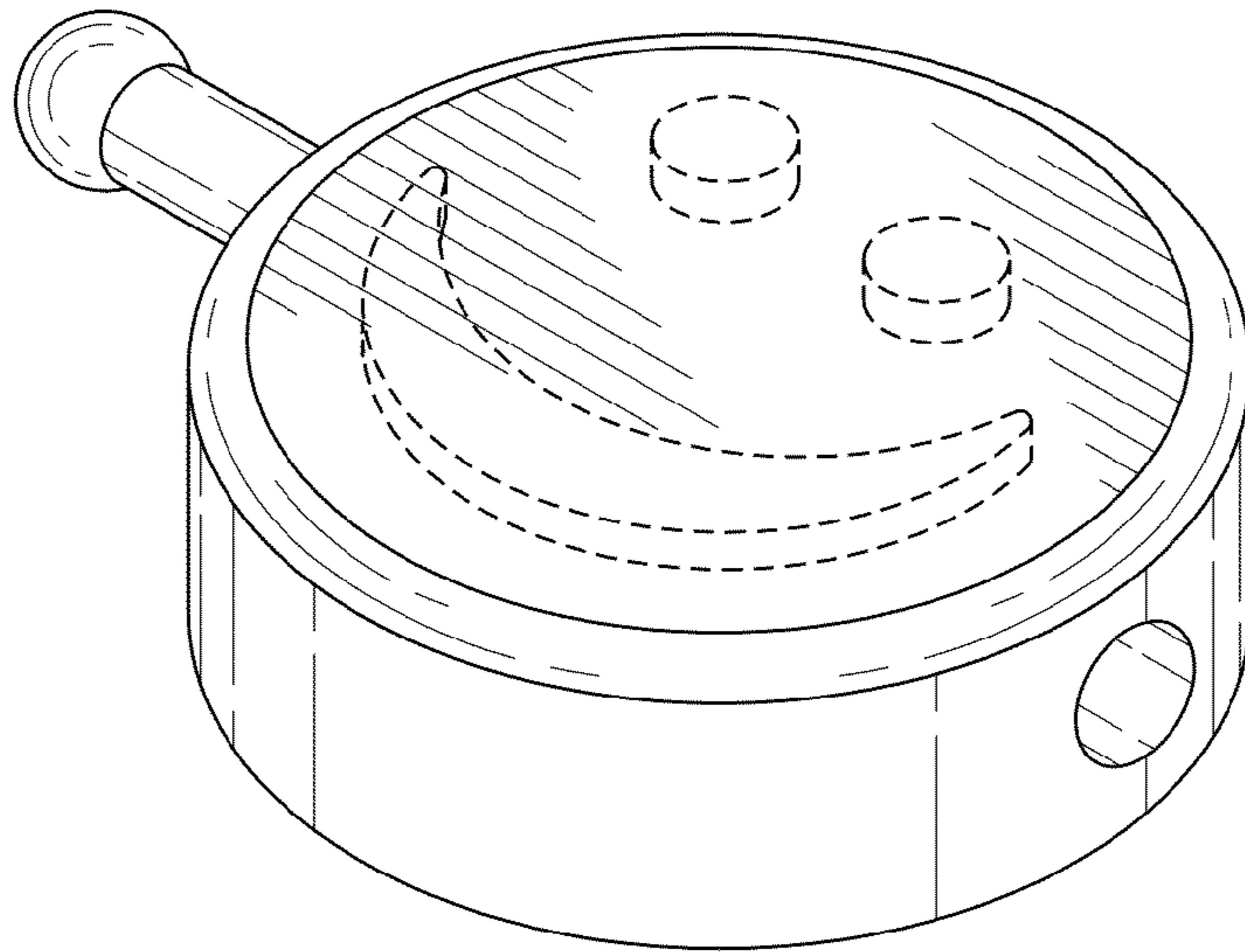


FIG. 1

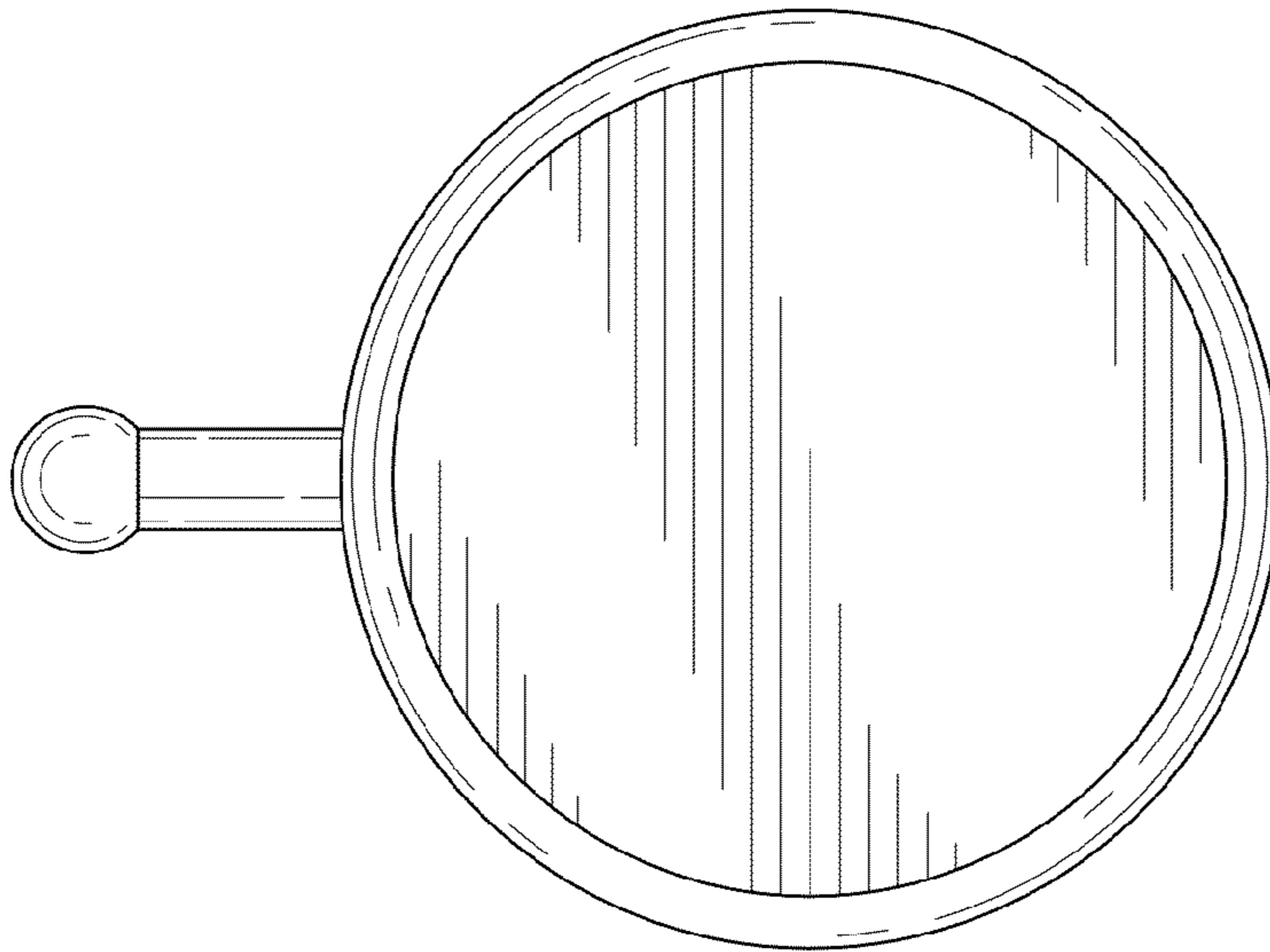


FIG. 2

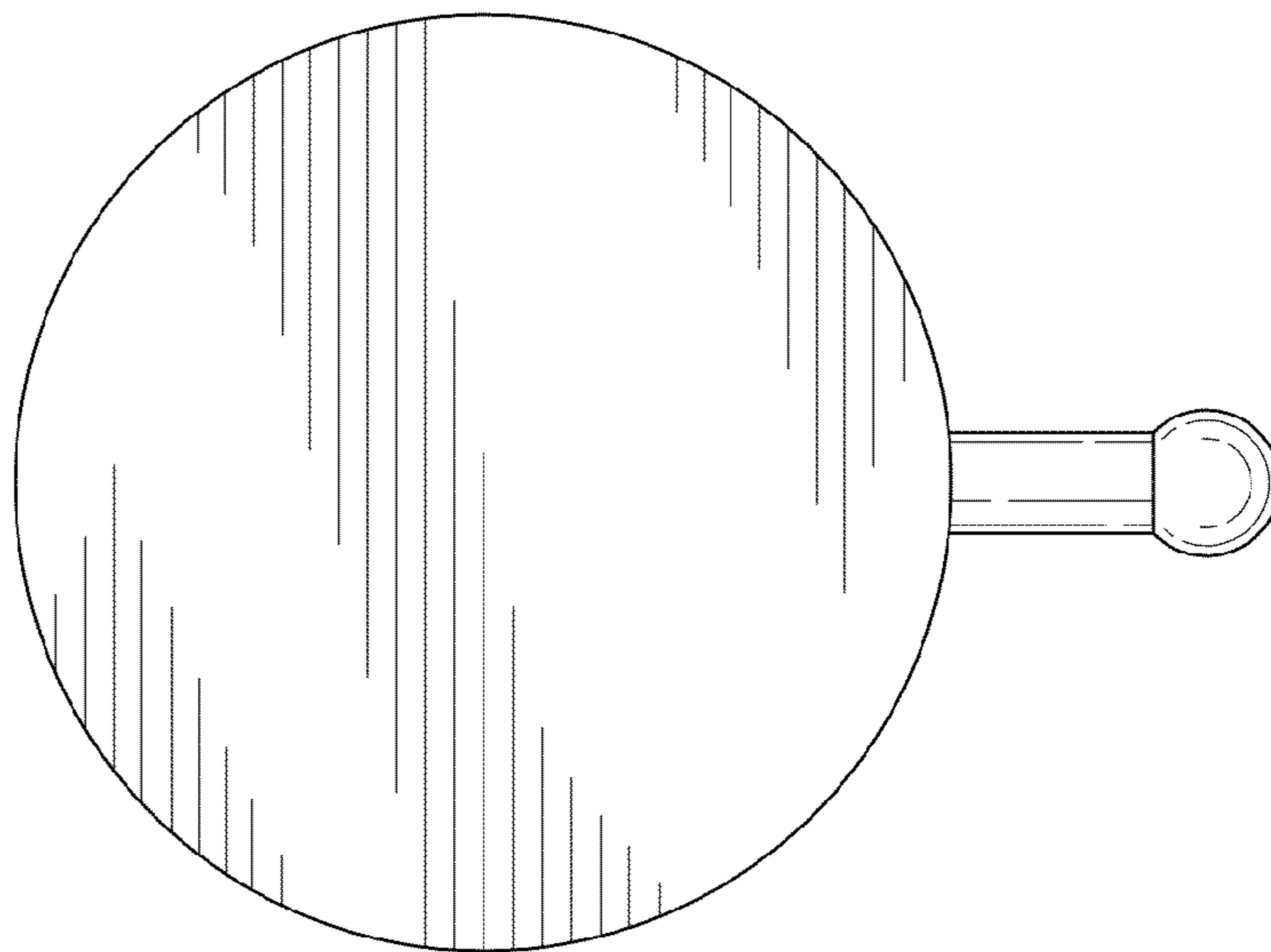


FIG. 3

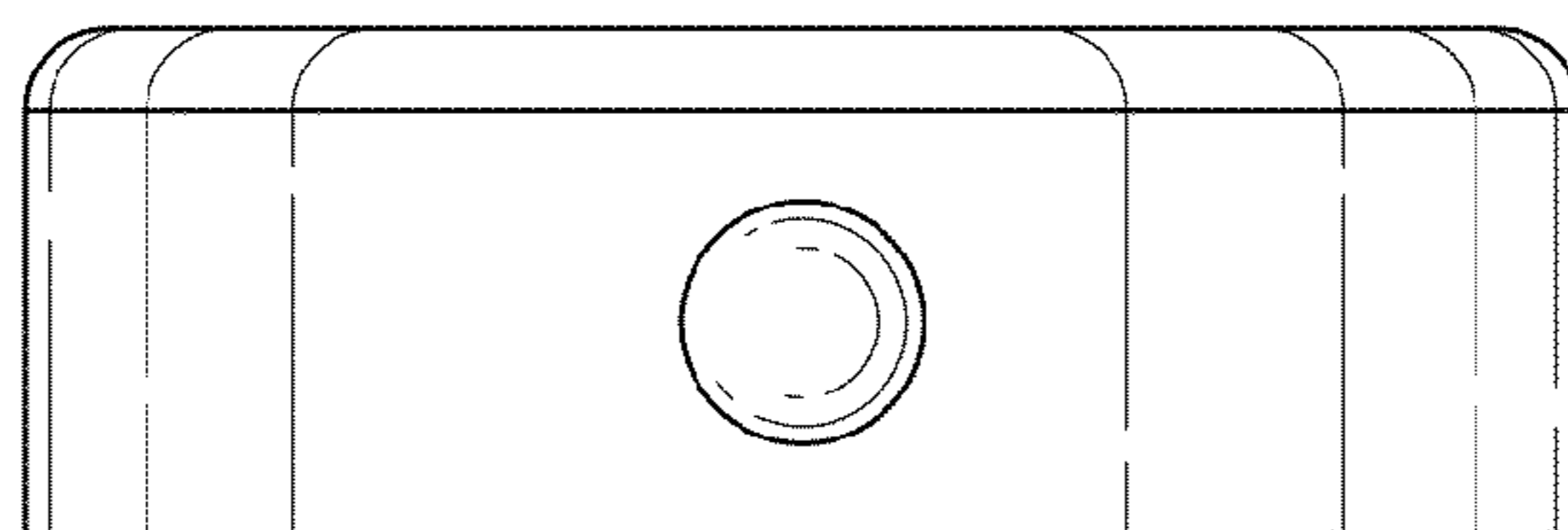


FIG. 4

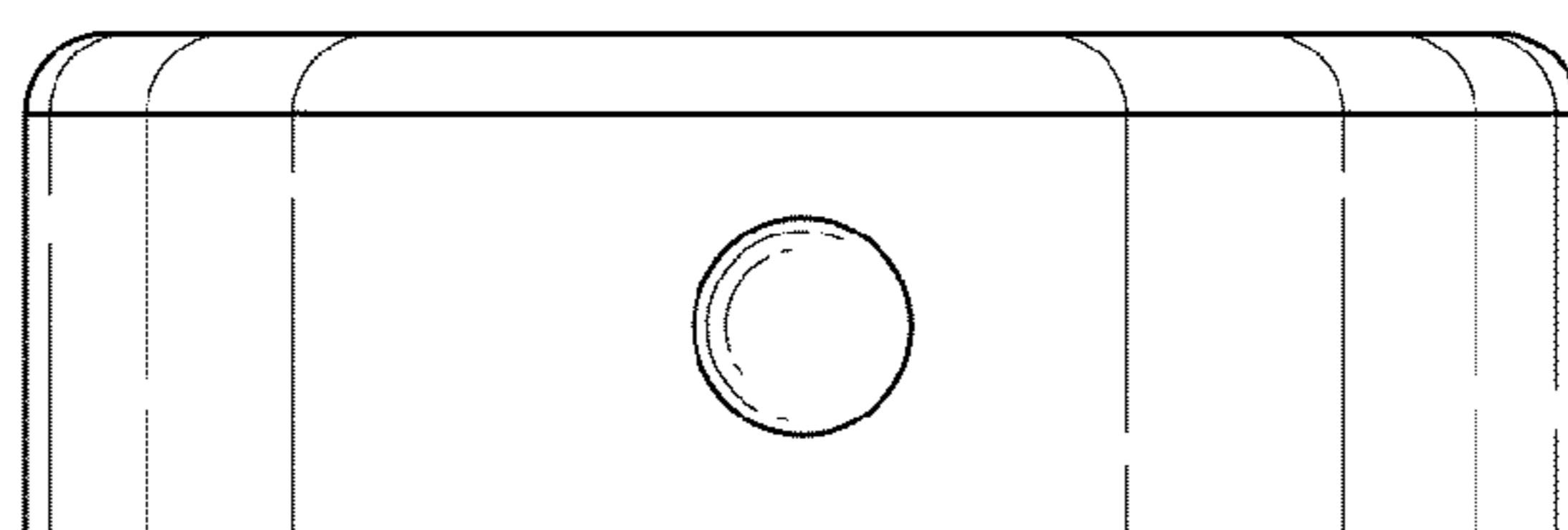


FIG. 5

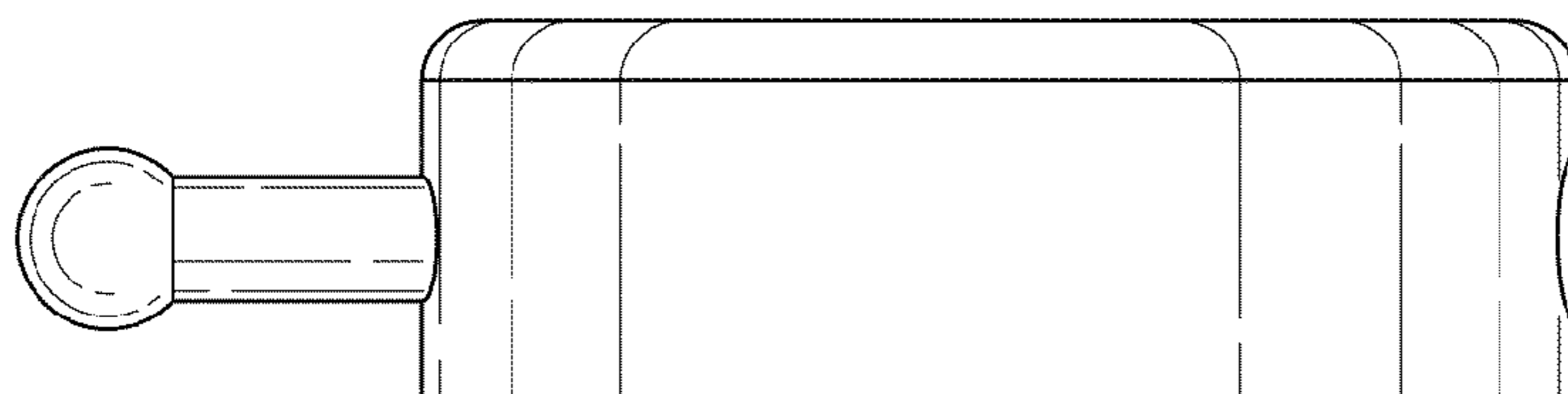


FIG. 6

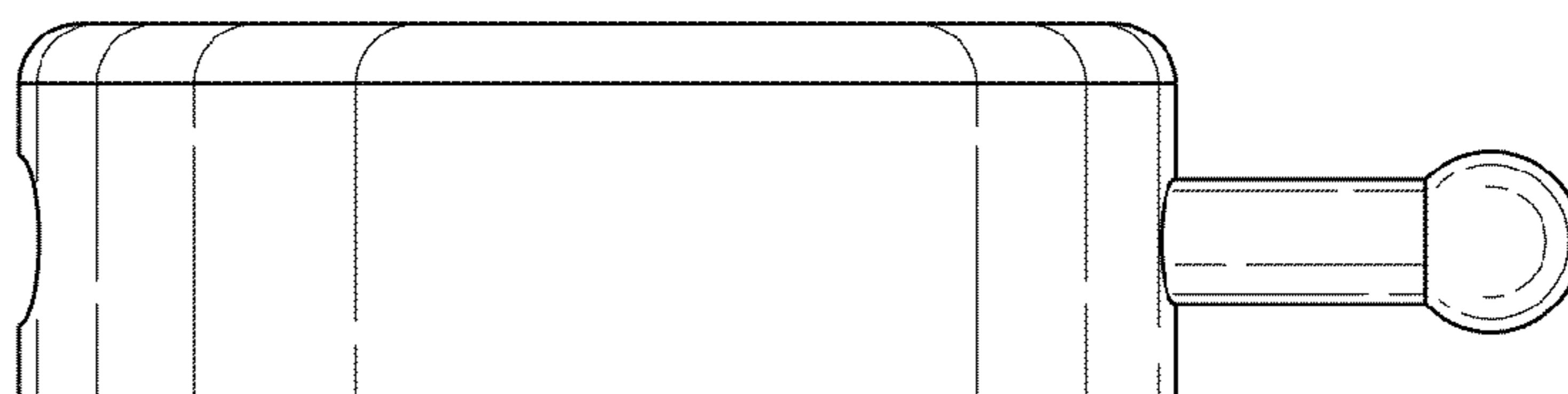


FIG. 7

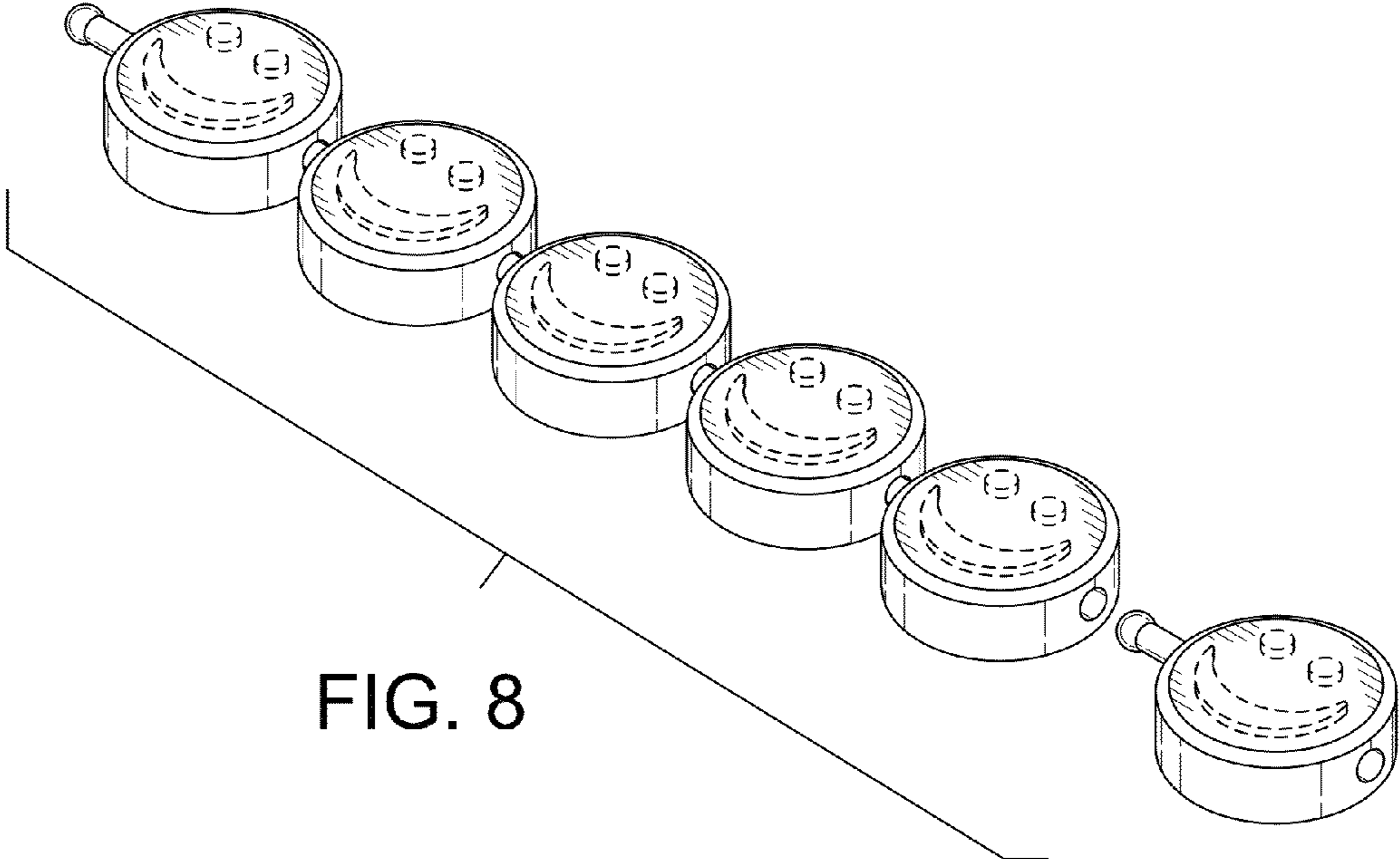


FIG. 8

