



US00D711275S

(12) **United States Design Patent**
Scalisi

(10) **Patent No.:** **US D711,275 S**
(45) **Date of Patent:** **** Aug. 19, 2014**

(54) **DOORBELL**

(71) Applicant: **iDoorCam Inc.**, Irvine, CA (US)

(72) Inventor: **Joseph Scalisi**, Yorba Linda, CA (US)

(73) Assignee: **SkyBell Technologies, Inc.**, Irvine, CA (US)

(**) Term: **14 Years**

(21) Appl. No.: **29/461,758**

(22) Filed: **Jul. 26, 2013**

(51) **LOC (10) Cl.** **10-05**

(52) **U.S. Cl.**
USPC **D10/118.1**

(58) **Field of Classification Search**
USPC D10/106.5, 81, 118; 340/392.1, 384.7;
D14/159; D16/202
See application file for complete search history.

(56) **References Cited**

U.S. PATENT DOCUMENTS

D297,222	S *	8/1988	Rauch	D10/106.5
5,428,388	A	6/1995	von Bauer		
5,784,446	A	7/1998	Stuart		
D404,673	S *	1/1999	Gordon et al.	D10/118
6,073,192	A	6/2000	Clapp		
6,094,213	A	7/2000	Mun		
6,226,031	B1	5/2001	Barracrough		
6,429,893	B1	8/2002	Xin		
6,590,604	B1	7/2003	Tucker		
6,661,340	B1	12/2003	Saylor		
6,727,811	B1	4/2004	Fendis		
6,753,899	B2	6/2004	Lapalme		
6,778,084	B2	8/2004	Chang		
D500,751	S *	1/2005	Yukikado et al.	D14/159
7,015,943	B2	3/2006	Chiang		
D522,490	S *	6/2006	Yukikado et al.	D14/159
7,193,644	B2	3/2007	Carter		
D577,301	S *	9/2008	Johnson et al.	D10/81
7,429,924	B2	9/2008	Langer et al.		

7,477,134 B2 1/2009 Langer et al.
7,492,303 B1 2/2009 Levitan
7,583,191 B2 9/2009 Zinser
7,738,917 B2 6/2010 Ryley

(Continued)

FOREIGN PATENT DOCUMENTS

CN 1902609 B 5/2010
CN 202872976 U 4/2013

(Continued)

OTHER PUBLICATIONS

DoorBot, The Doorbell for Smartphones, <http://www.getdoorbot.com>, downloaded on Jul. 26, 2013.

(Continued)

Primary Examiner — George D Kirschbaum

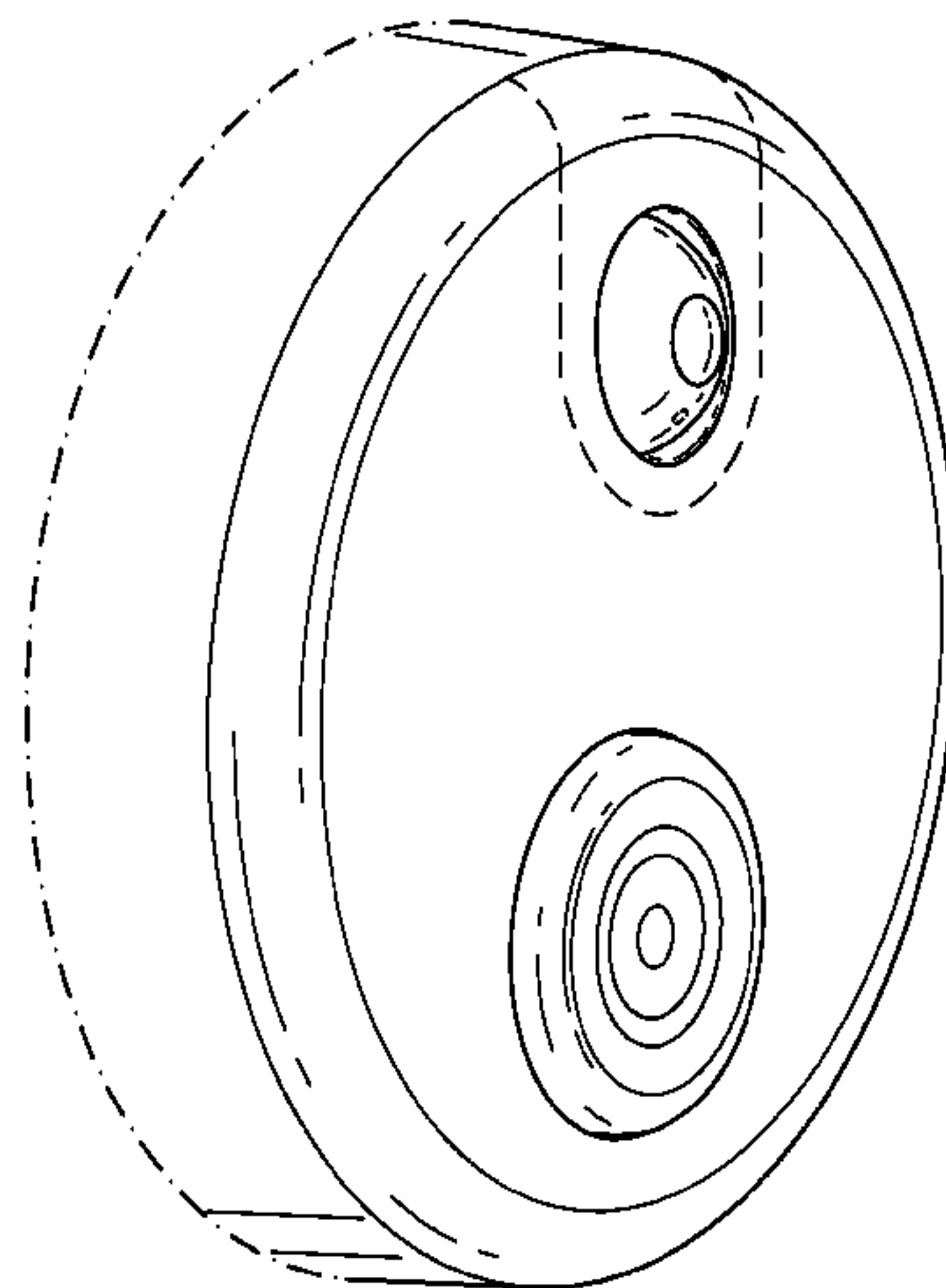
(57) **CLAIM**

The ornamental design for a doorbell, as shown and described.

DESCRIPTION

FIG. 1 is a front and side perspective view of a doorbell embodying the new design.
FIG. 2 is a back and side perspective view thereof.
FIG. 3 is a front view thereof.
FIG. 4 is a back view thereof.
FIG. 5 is a first side view thereof, the second side view being a mirror image.
FIG. 6 is a top view thereof; and,
FIG. 7 is a bottom view thereof.
The dash-dot-dash lines represent the boundary of the claimed design. The uniform repeating broken lines showing surface features and the back of the design are included for the purpose of illustrating portions of the "article" and form no part of the claimed design.

1 Claim, 6 Drawing Sheets



(56)

References Cited

U.S. PATENT DOCUMENTS

7,746,223	B2	6/2010	Howarter et al.
7,752,070	B2	7/2010	Hatcher
8,016,676	B2	9/2011	Carter
8,139,098	B2	3/2012	Carter
8,144,183	B2	3/2012	Carter
8,144,184	B2	3/2012	Carter
8,154,581	B2	4/2012	Carter
8,164,614	B2	4/2012	Carter
D660,819	S *	5/2012	Chen et al. D14/159
8,193,919	B2	6/2012	Langer
8,504,103	B2	8/2013	Ficquette
8,565,399	B2	10/2013	Siminoff
2004/0086093	A1	5/2004	Schranz
2004/0229569	A1	11/2004	Franz
2005/0097248	A1	5/2005	Kelley
2006/0156361	A1	7/2006	Wang
2006/0271678	A1	11/2006	Jessup et al.
2007/0194945	A1	8/2007	Atkinson
2008/0036862	A1	2/2008	Lang et al.
2008/0297339	A1	12/2008	Mathews
2009/0072963	A1	3/2009	Langer
2010/0195810	A1	8/2010	Mota
2012/0113253	A1	5/2012	Slater
2012/0162416	A1	6/2012	Su et al.
2012/0280783	A1	11/2012	Gerhardt
2012/0280789	A1	11/2012	Gerhardt
2012/0280790	A1	11/2012	Gerhardt
2013/0045763	A1	2/2013	Ruiz
2013/0057695	A1	3/2013	Huisking
2013/0094444	A1	4/2013	Lai

FOREIGN PATENT DOCUMENTS

CN	202939738	U	5/2013
EP	684743	B1	7/1999
WO	WO 01/93220	A1	12/2001

OTHER PUBLICATIONS

Philips InSight Wireless HD Baby Monitor, <http://www.amazon.com/Philips-InSight-Wireless-Baby-Monitor/dp/B00AALO9Z6>, downloaded on Jul. 24, 2013.

CellNock™ Peep-hole Cell phone, <http://cellnock.com/products.htm>, downloaded on Sep. 23, 2013.

Doorbot: Downloaded on Nov. 18, 2013 from <http://www.craigncompany.com/home-tech-doorbot/>; prior art publication at least as of Jun. 10, 2013.

Doorbot: Downloaded on Nov. 18, 2013 from <http://thenextweb.com/insider/2012/12/10/satisfaction-lies-in-hardware-for-siminooffs-christie-street-platform-and-doorbot-video-streaming-doorbell/>; prior art publication at least as of Dec. 10, 2012.

Doorbot: Downloaded on Nov. 18, 2013 from <http://www.digitaltrends.com/lifestyle/doorbot-camera-see-visitors-smartphone/>; prior art publication at least as of Dec. 9, 2012.

Doorbot website: Downloaded on Nov. 18, 2013 from <http://www.getdoorbot.com/>.

Doorbot users manual: Downloaded on Nov. 18, 2013 from <http://static.mydoorbot.com/DoorBot%20Users%20Manual%201.0.pdf>.

Doorbot “fact sheet”: Downloaded on Nov. 18, 2013 from <http://cdn.shopify.com/s/files/1/0247/6501/files/DoorBotMediaKit.pdf?7037>.

Doorbot “features kit”: Downloaded on Nov. 18, 2013 from http://cdn.shopify.com/s/files/1/0247/6501/files/DoorBot_Features_Kit.pdf?17037.

CellNock index page: Originally downloaded on Sep. 23, 2013 from <http://cellnock.com/index.html>; The website says CellNock is “patent pending.”

CellNock about founder page: Downloaded on Nov. 18, 2013 from <http://cellnock.com/index.html>; The website says CellNock is “patent pending.”

CellNock learn more page: Downloaded on Nov. 18, 2013 from http://cellnock.com/learn_more.htm; The website says CellNock is “patent pending.”

CellNock product page: Downloaded on Nov. 18, 2013 from <http://cellnock.com/products.htm>; The website says CellNock is “patent pending.”

Philips InSight Baby Monitor: Originally downloaded on Jul. 24, 2013 from http://www.amazon.com/Philips-B120-37-InSight-Wireless/dp/B00AALO9Z6/ref=sr_1_3?ie=UTF8&qid=1384808431&sr=8-3&keywords=philips+insight.

MySkyBell.com—Part 1 (previously iDoorCam.com): Downloaded on Nov. 18, 2013 from <http://www.myskybell.com/>.

MySkyBell.com—Part 2 (previously iDoorCam.com): Downloaded on Nov. 18, 2013 from <http://www.myskybell.com/>.

MySkyBell.com—Part 3 (previously iDoorCam.com): Downloaded on Nov. 18, 2013 from <http://www.myskybell.com/>.

MySkyBell.com—Part 4 (previously iDoorCam.com): Downloaded on Nov. 18, 2013 from <http://www.myskybell.com/>.

MySkyBell.com—Part 5 (previously iDoorCam.com): Downloaded on Nov. 18, 2013 from <http://www.myskybell.com/>.

Squaritz IDS Doorbell System—Downloaded on Aug. 15, 2013 from <http://www.indiegogo.com/projects/squaritz-ids-intelligent-doorbell-system>.

MyBells—Downloaded on Nov. 18, 2013 from <http://www.indiegogo.com/projects/mybells-the-smart-bells>.

Wireless video doorbell pager—Downloaded on Aug. 9, 2013 from <http://www.indiegogo.com/projects/wireless-video-doorbell-pager--4>.

Lockitron—Downloaded on Jul. 24, 2013 from <https://lockitron.com/preorder>.

EyeTalk for home—Downloaded on May, 2013 from <http://www.revolutionaryconceptsinc.com/forhome.html>.

EyeTalk Product—Downloaded on Nov. 18, 2013 from <http://www.revolutionaryconceptsinc.com/eyetalk.html>.

Langer Doorbell Light—Downloaded on Nov. 18, 2013 from <http://www.youtube.com/watch?v=u9nNCm4tSYI>; published at least as early as Apr. 2013.

SmartBell—Downloaded on Dec. 5, 2013 from http://smartbell.co/This_is_smartbell.html.

SmartBell—Downloaded on Dec. 5, 2013 from http://smartbell.co/Tech_specs.html.

SmartBell—Downloaded on Dec. 5, 2013 from <http://smartbell.co/FAQ.html>.

SmartBell—A Doorbell for Smartphones, published by Scrambled Brains Tech, LLC., Oct. 1, 2013.

Design U.S. Appl. No. 29/465,718, filed Aug. 30, 2013; and titled Display Screen or Portion Thereof With a Graphical User Interface.

Design U.S. Appl. No. 29/465,730, filed Aug. 30, 2013; and titled Display Screen or Portion Thereof With a Graphical User Interface.

Design U.S. Appl. No. 29/465,749, filed Aug. 30, 2013; and titled Display Screen or Portion Thereof With a Graphical User Interface.

U.S. Appl. No. 61/859,070, filed Jul. 26, 2013; and titled Doorbell Communication Systems and Methods.

U.S. Appl. No. 61/872,439, filed Aug. 30, 2013; and titled Doorbell Communication Systems and Methods.

U.S. Appl. No. 14/098,772, filed Dec. 6, 2013; and titled Doorbell Communication Systems and Methods.

U.S. Appl. No. 14/099,888, filed Dec. 6, 2013; and titled Doorbell Communication Systems and Methods.

U.S. Appl. No. 14/142,839, filed Dec. 28, 2013; and titled Doorbell Communication Systems and Methods.

Amazon.com Listing: “Philips InSight Wireless HD Baby Monitor,” downloaded Jul. 24, 2013 from http://www.amazon.com/Philips-InSight-Wireless-Baby-Monitor/dp/B00AALO9Z6/ref=sr_1_2?ie=UTF8&qid=1374704204&sr=8-2&keywords=philips+insight+wi-fi+baby+monitor.

Cellnock.com Listing: “CellNock,” downloaded Sep. 23, 2013 from <http://cellnock.com/products.htm>.

Cellnock.com Listing: “CellNock Index,” downloaded Sep. 23, 2013 from <http://cellnock.com/index.html>.

Christiestreet.com Listing: “DoorBot,” downloaded Jun. 14, 2013 from <https://christiestreet.com/products/doorbot>.

Idoorcam.com: “iDoorCam—A Wi-Fi Enabled, Webcam Doorbell,” downloaded Sep. 3, 2013 from <http://www.idoorcam.com/>.

(56)

References Cited

OTHER PUBLICATIONS

Indiegogo.com Listing: “Squaritz IDS—Intelligent Doorbell System,” originally downloaded Aug. 15, 2013 from <http://www.indiegogo.com/projects/squaritz-ids-intelligent-doorbell-system>.

Indiegogo.com Listing: “wireless video doorbell pager,” downloaded Aug. 9, 2013 from <http://www.indiegogo.com/projects/wireless-video-doorbell-pager--4>.

Lockitron.com Listing: “Lockitron,” downloaded Jul. 24, 2013 from <https://lockitron.com/preorder>.

Revolutionary Concepts, Inc. Listing: “Eyetalk for Home,” originally downloaded May 24, 2013 from <http://www.revolutionaryconceptsinc.com/forhome.html>.

DoorBot—Downloaded on Jul. 26, 2013 from <http://www.getdoorbot.com>.

Langer Doorbell Button Sized Light—Downloaded on Sep. 16, 2013 from <http://www.youtube.com/watch?v=u9nNCm4tSYI>.

Langer Doorbell Light—Downloaded on Sep. 16, 2013 from <http://www.youtube.com/watch?v=6dbU-Gyjg8>.

SmartBell on Kickstarter—Downloaded on Feb. 28, 2014 from <http://www.kickstarter.com/projects/1256599792/smartbell-wi-fi-doorbell-for-video-chats-to-ios-an>.

* cited by examiner

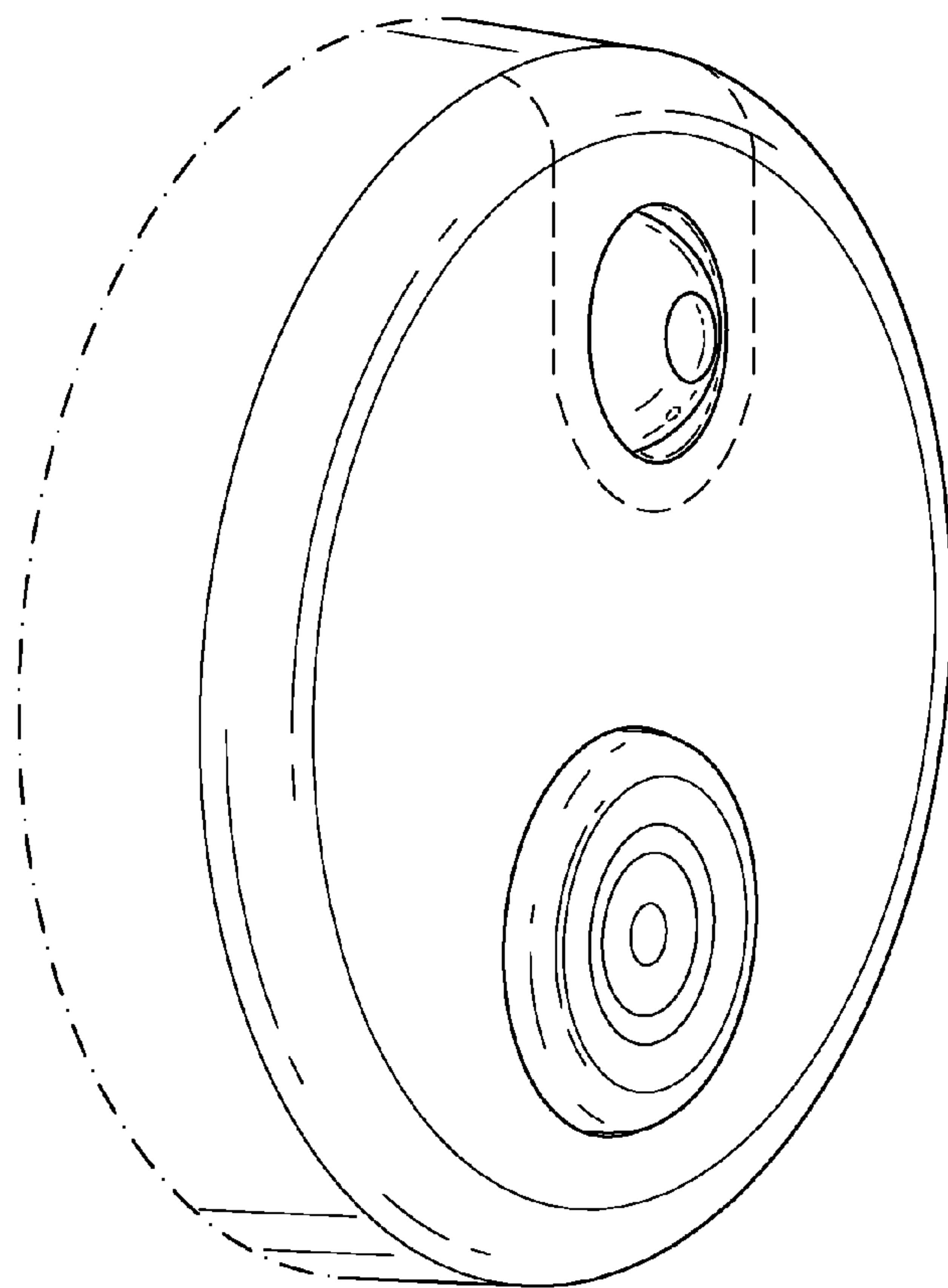


FIG. 1

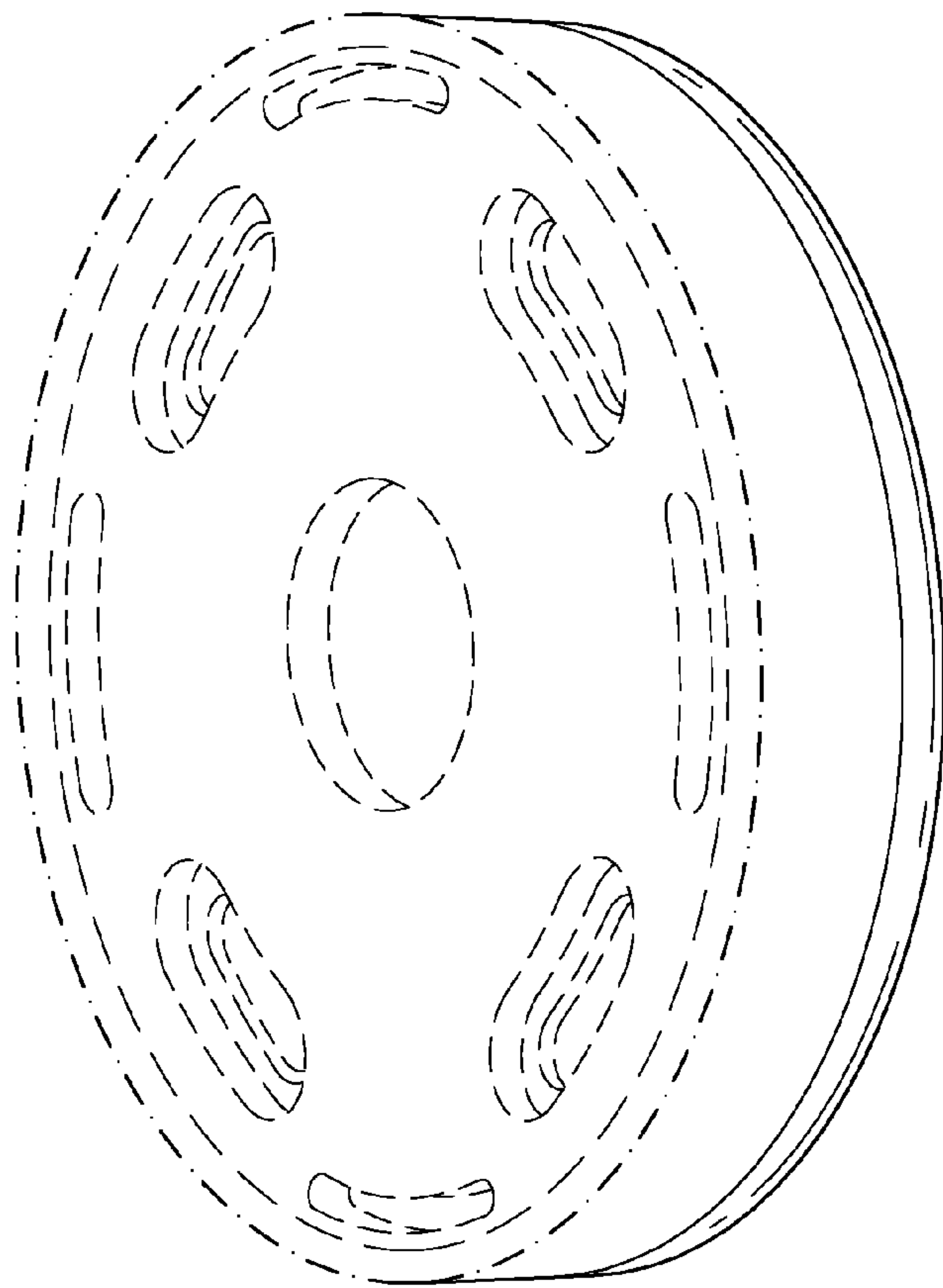


FIG. 2

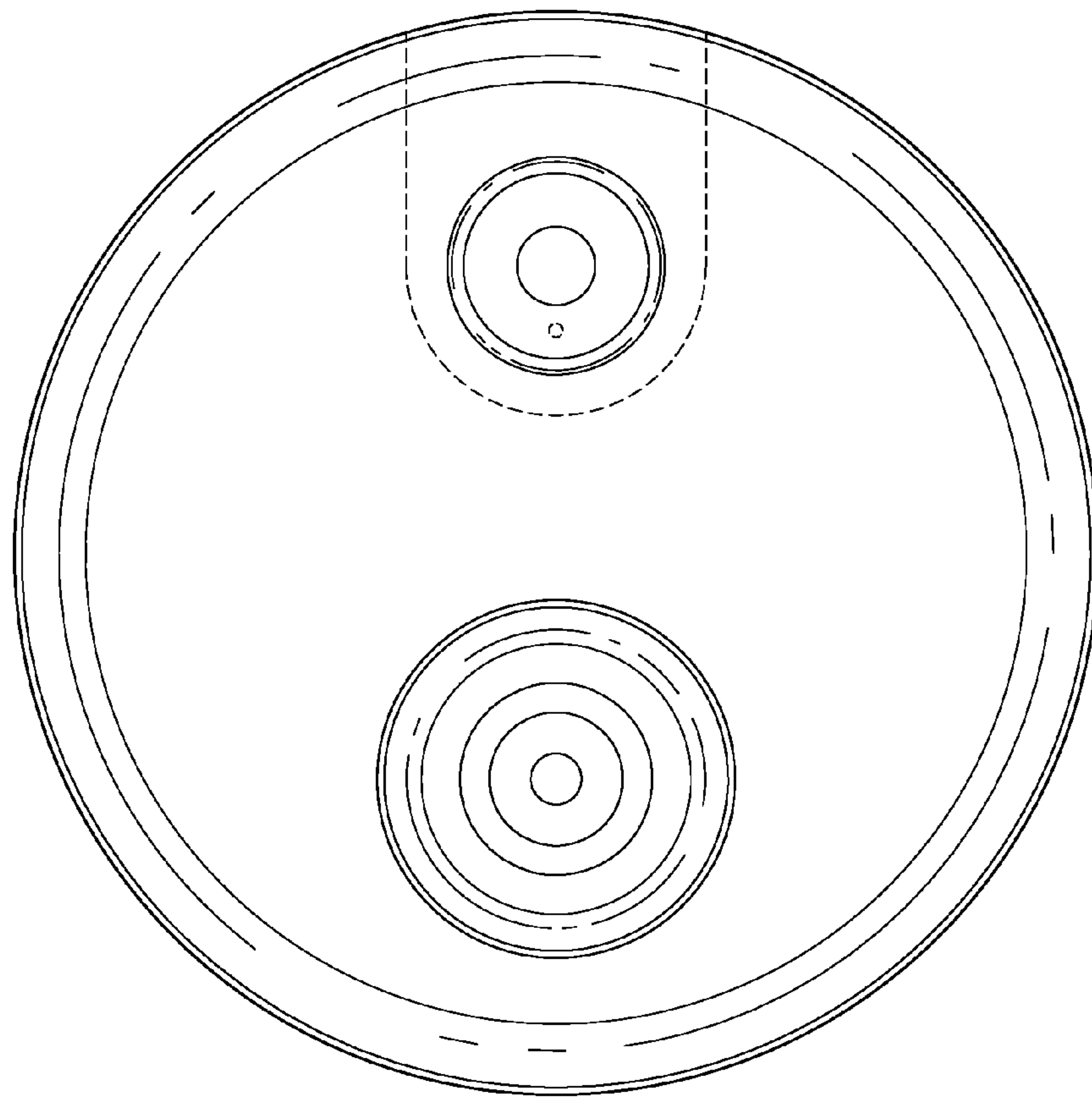


FIG. 3

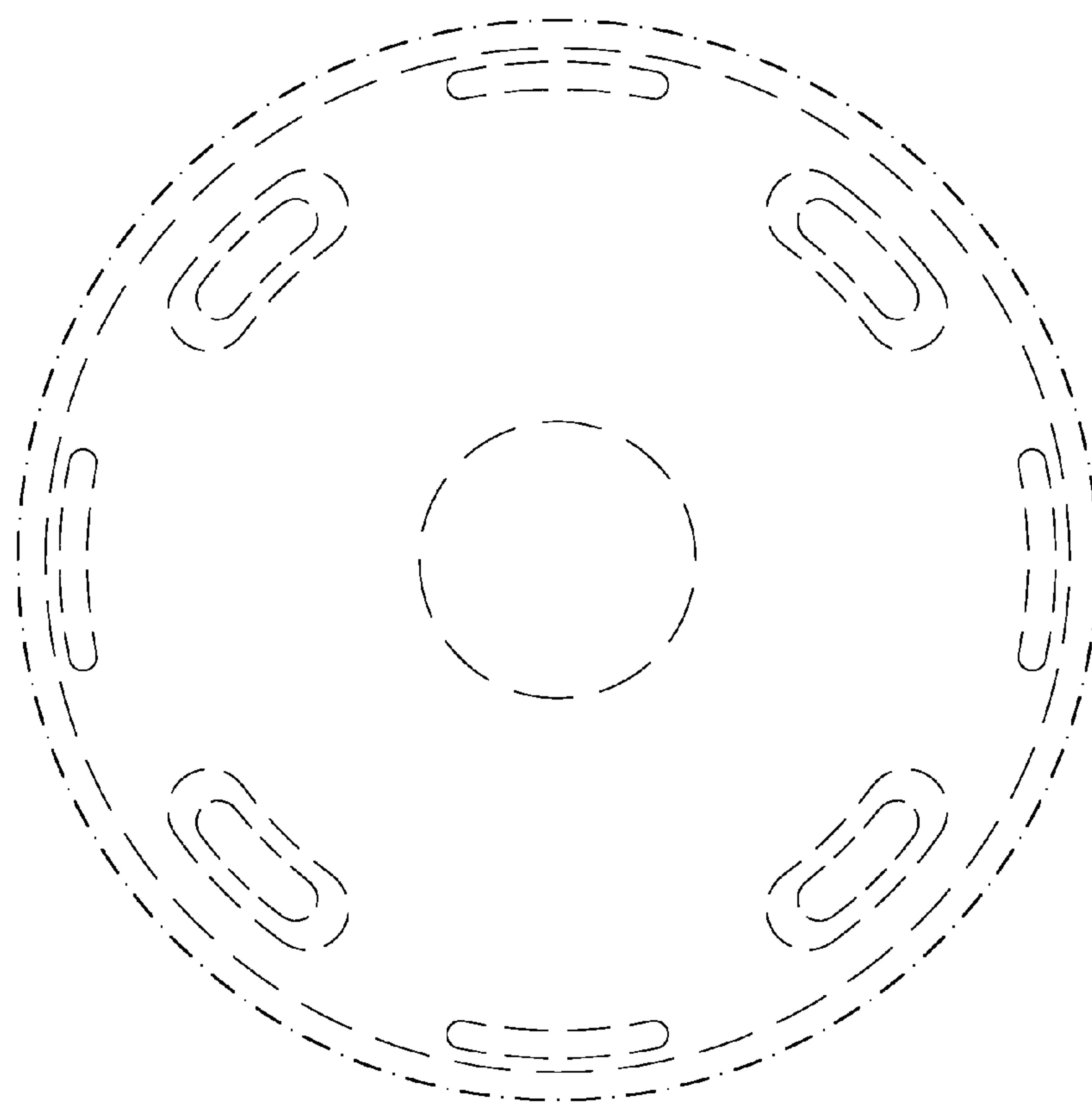


FIG. 4

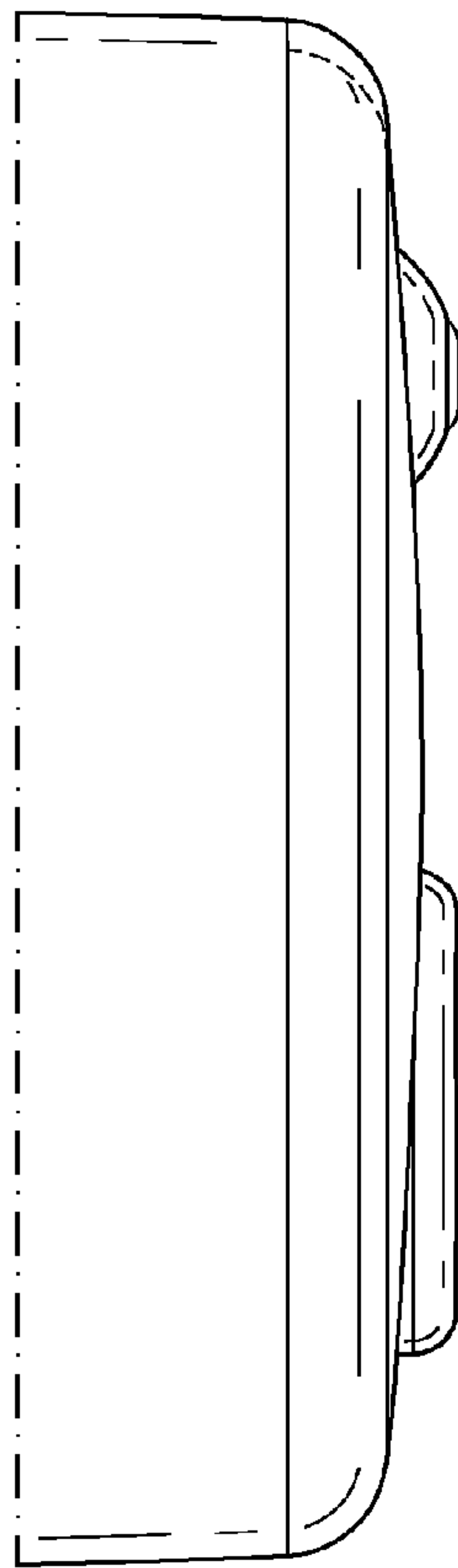


FIG. 5

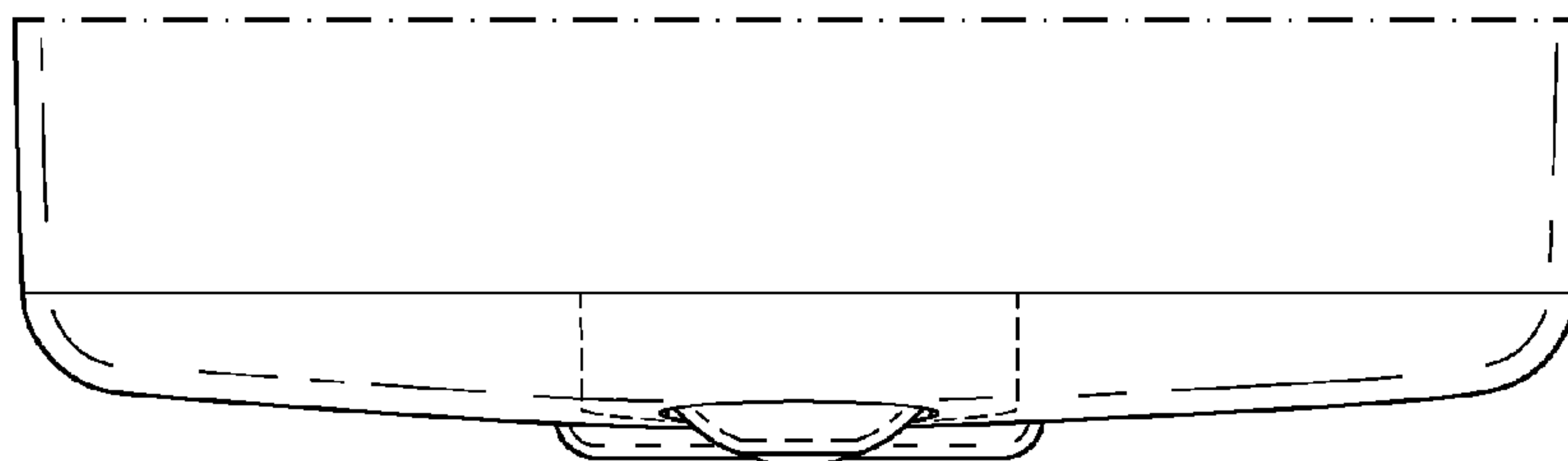


FIG. 6

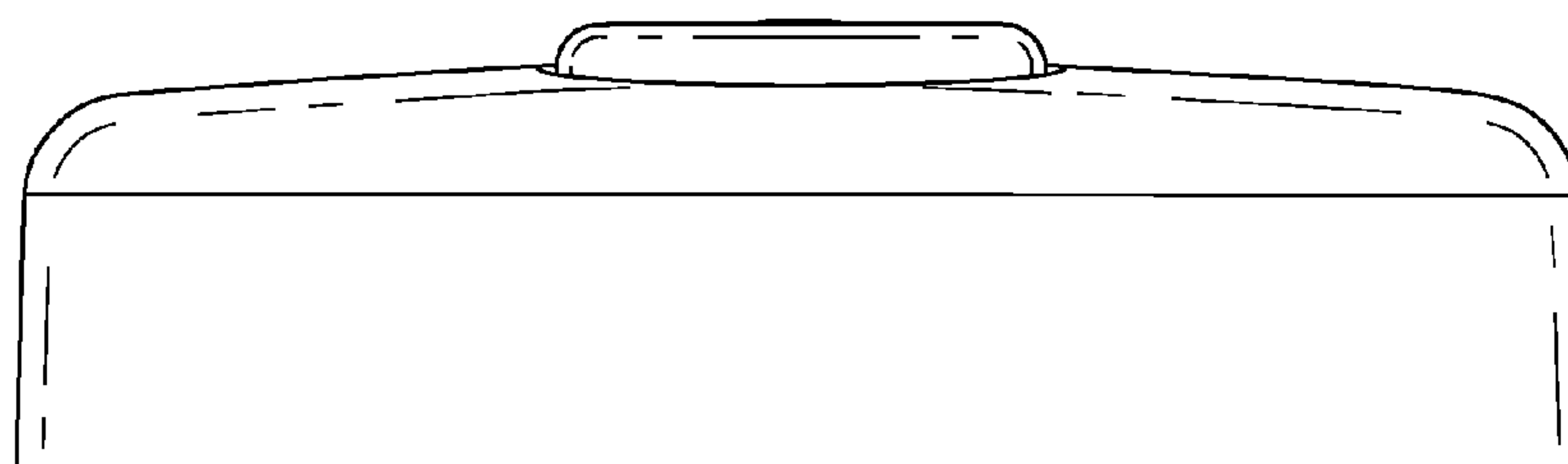


FIG. 7