



US00D711274S

(12) **United States Design Patent**
Kosugi

(10) **Patent No.:** **US D711,274 S**

(45) **Date of Patent:** **** Aug. 19, 2014**

(54) **BLINKING DISPLAY APPARATUS**
(71) Applicant: **Yorozuya Joho Inc.**, Toyohashi (JP)

JP 2003-054314 2/2003
JP 3132675 5/2007
JP 3181696 1/2013

(72) Inventor: **Rokuro Kosugi**, Toyohashi (JP)
(73) Assignee: **Yorozuya Joho Inc.**, Toyohashi-shi (JP)

OTHER PUBLICATIONS

International Search Report of PCT/JP2013/066678 dated Sep. 25, 2013, three pages total.

(**) Term: **14 Years**

* cited by examiner

(21) Appl. No.: **29/460,236**

Primary Examiner — George D Kirschbaum

(22) Filed: **Jul. 9, 2013**

(74) *Attorney, Agent, or Firm* — Hamre, Schumann, Mueller & Larson, P.C.

(30) **Foreign Application Priority Data**

Jan. 23, 2013 (JP) 2013-002583

(51) **LOC (10) Cl.** **10-05**

(52) **U.S. Cl.**
USPC **D10/113.3**

(58) **Field of Classification Search**
USPC D10/109.1, 114.1–114.4; D20/10, 42;
362/154, 109
See application file for complete search history.

(57) **CLAIM**

I claim, the ornamental design for a blinking display apparatus, as shown and described.

(56) **References Cited**

U.S. PATENT DOCUMENTS

D360,654 S * 7/1995 Castilloux D20/42
D394,281 S * 5/1998 Miller D20/10
D422,524 S * 4/2000 Tam D10/114.1
D556,617 S * 12/2007 Darolfi et al. D10/114.1

FOREIGN PATENT DOCUMENTS

JP 05-005579 1/1993
JP 06-107065 4/1994
JP 08-077464 3/1996

DESCRIPTION

FIG. 1 is a front view of a blinking display apparatus showing the design.
FIG. 2 is a rear view thereof.
FIG. 3 is a top view thereof.
FIG. 4 is a bottom view thereof.
FIG. 5 is a right view thereof.
FIG. 6 is a left view thereof.
FIG. 7 is a front perspective view thereof.
FIG. 8 is a rear perspective view thereof.
FIG. 9 is an exploded view of the design shown in perspective, thereof; and,
FIG. 10 is a sectional view taken along the lines 10-10 of FIG. 1, thereof.

1 Claim, 6 Drawing Sheets

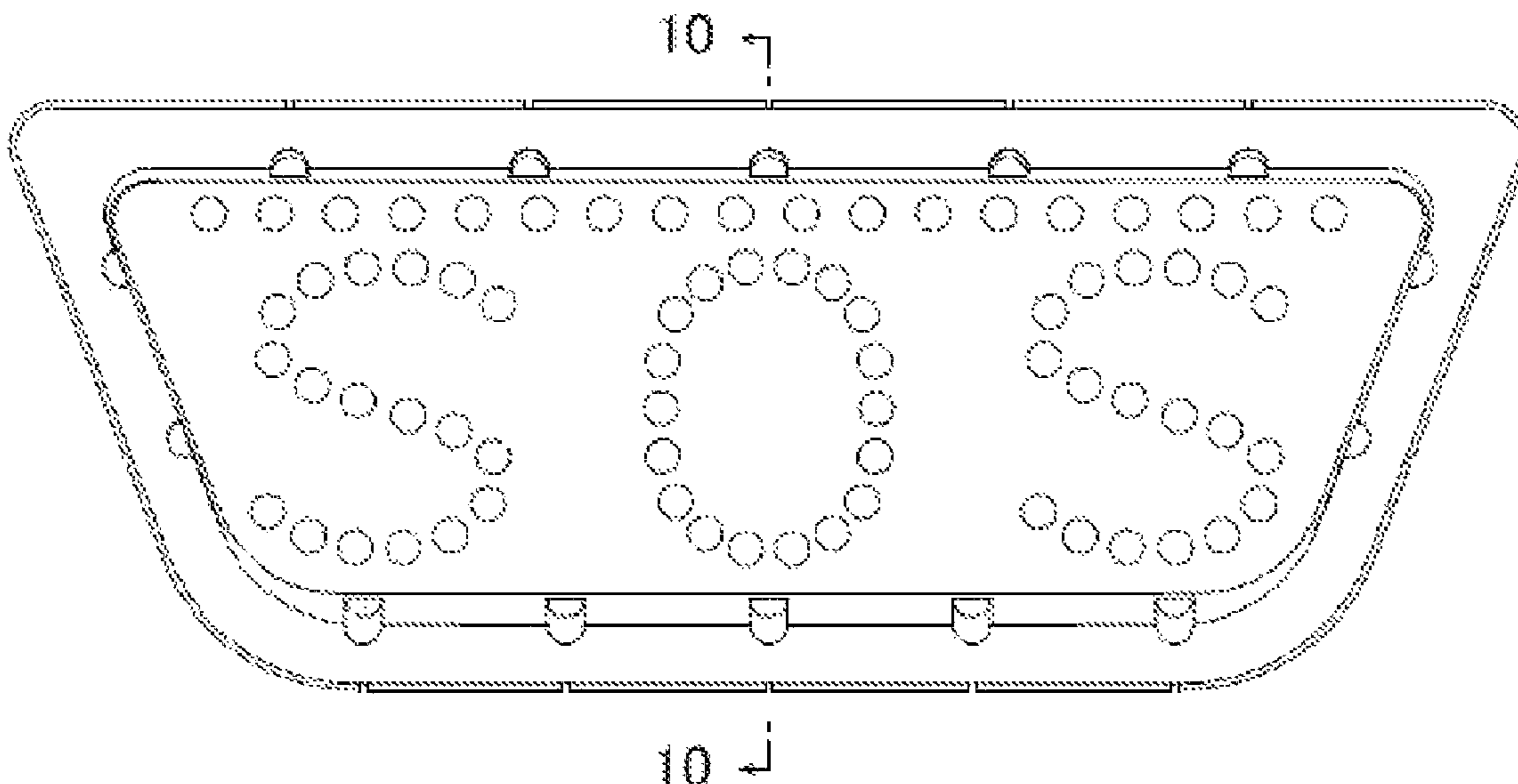


FIG. 1

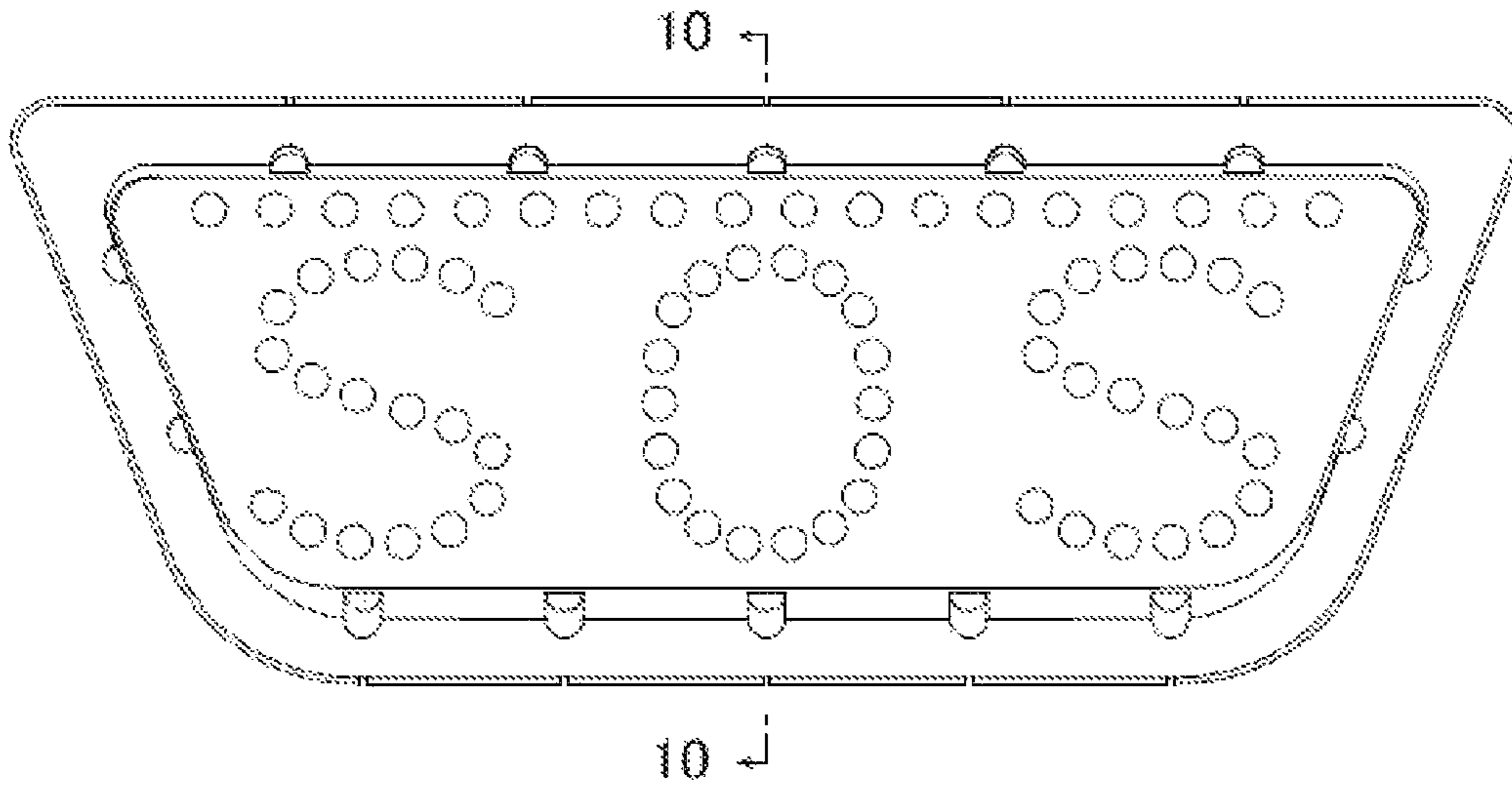


FIG. 2

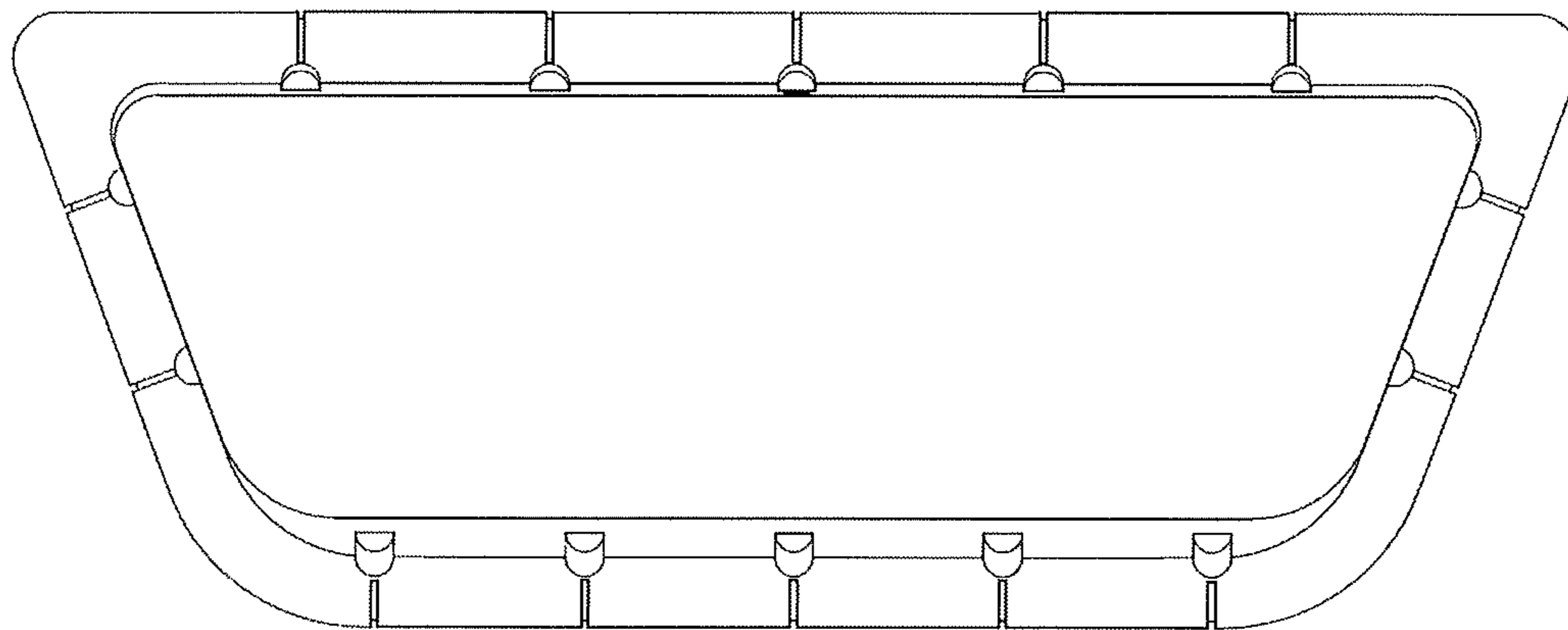


FIG. 3

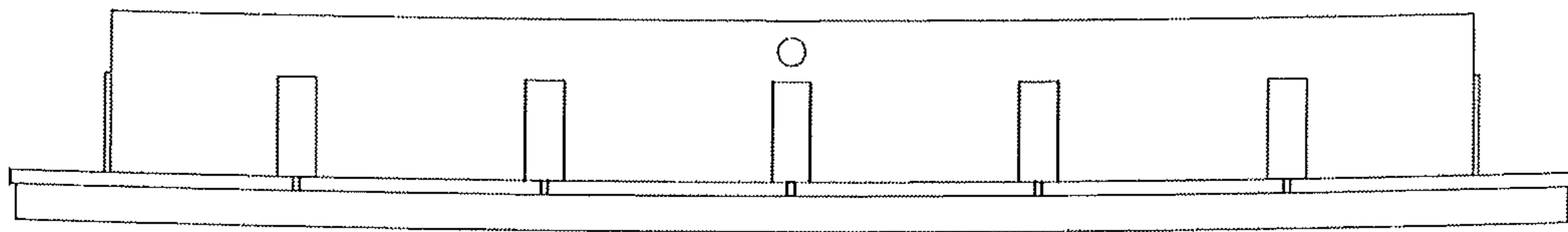


FIG. 4

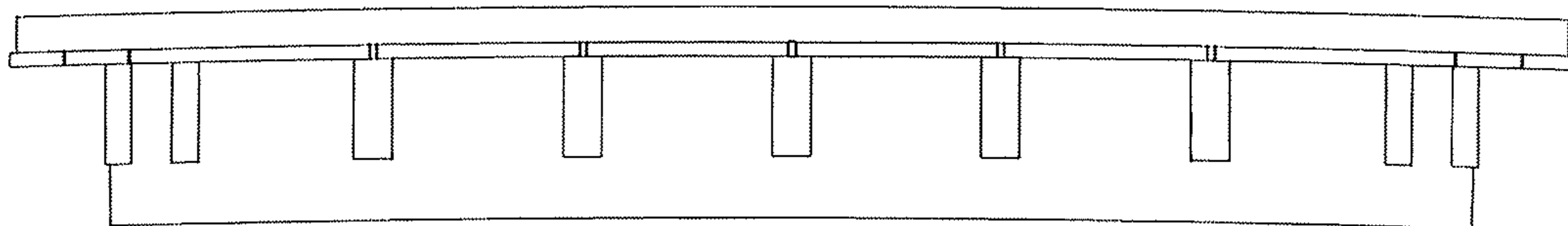


FIG. 5

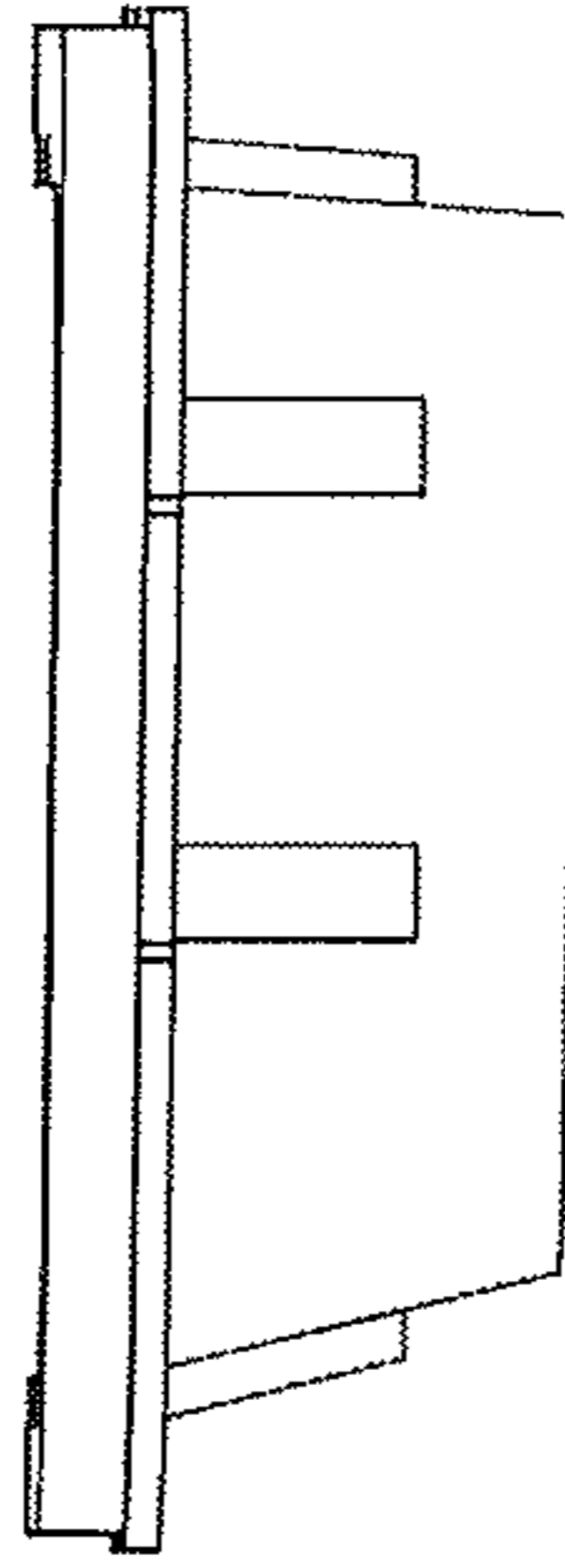


FIG. 6

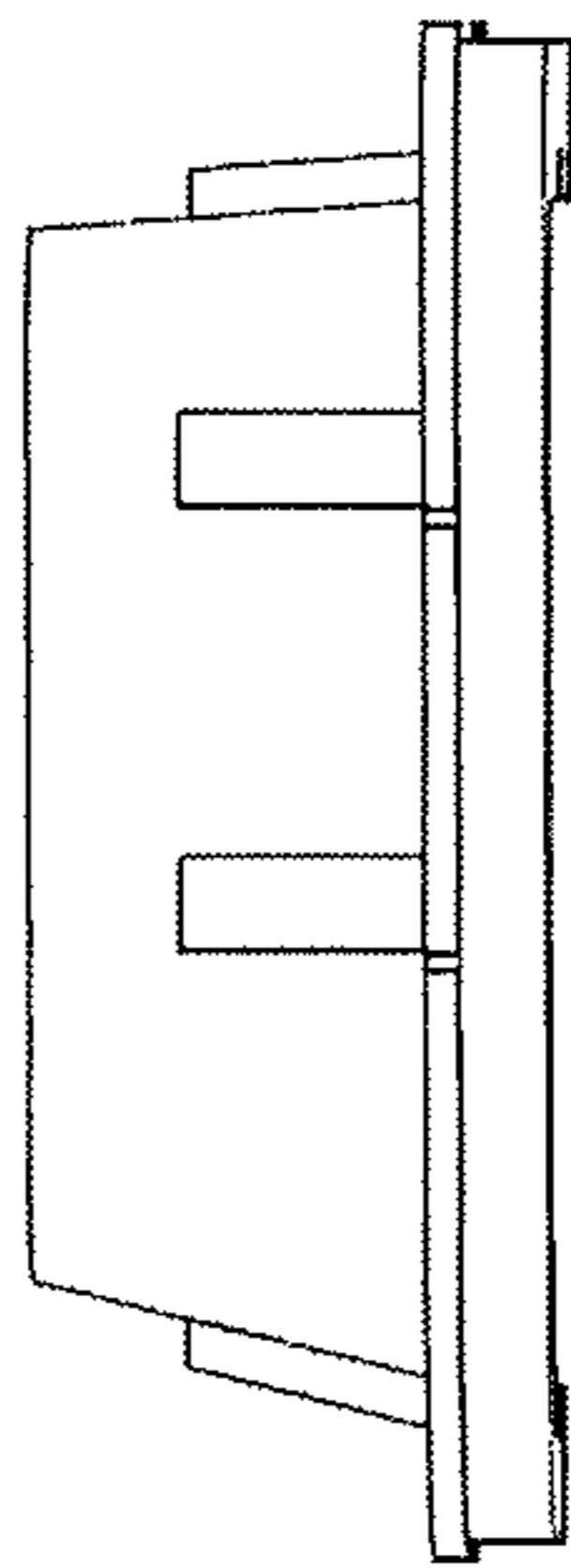


FIG. 7

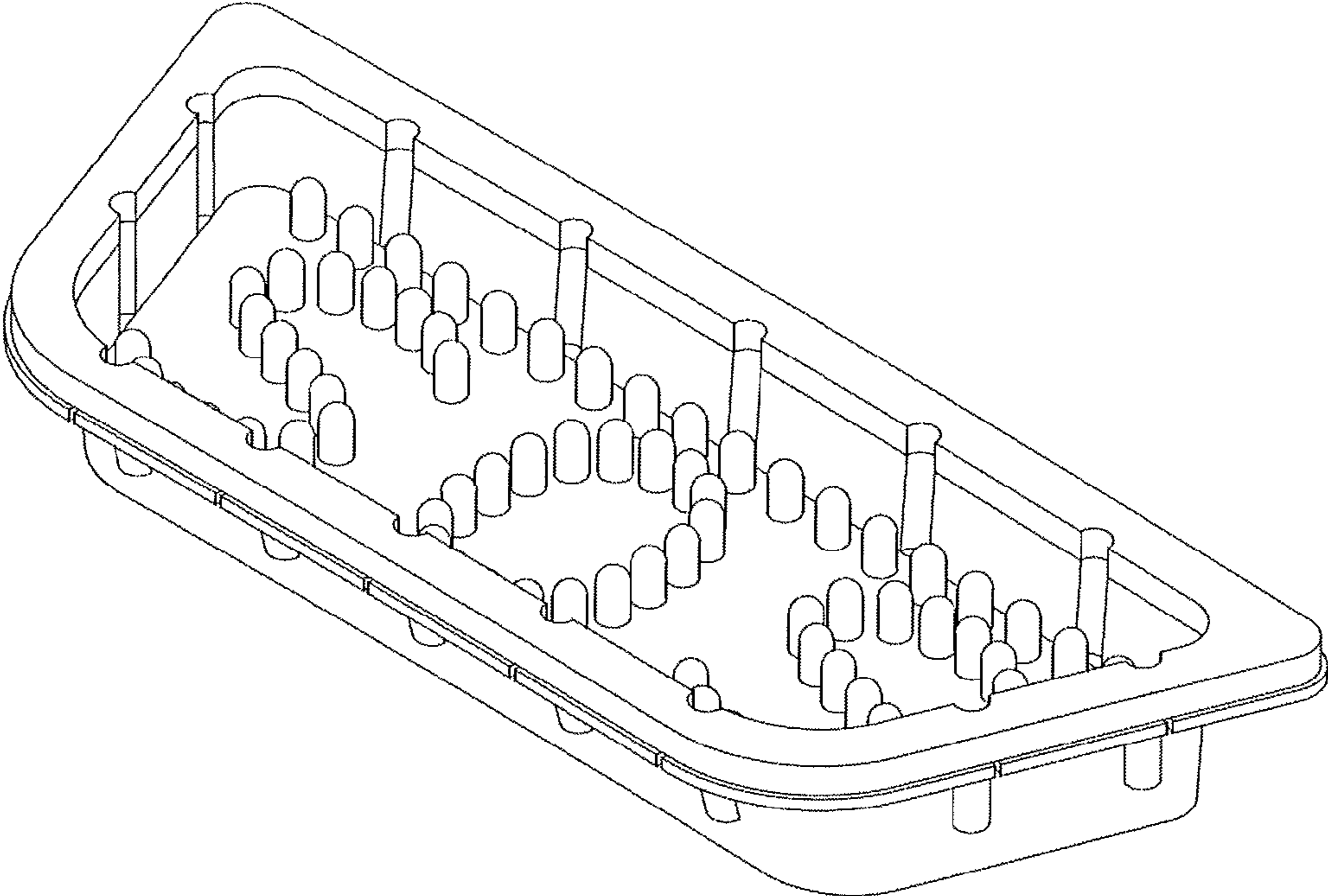


FIG. 8

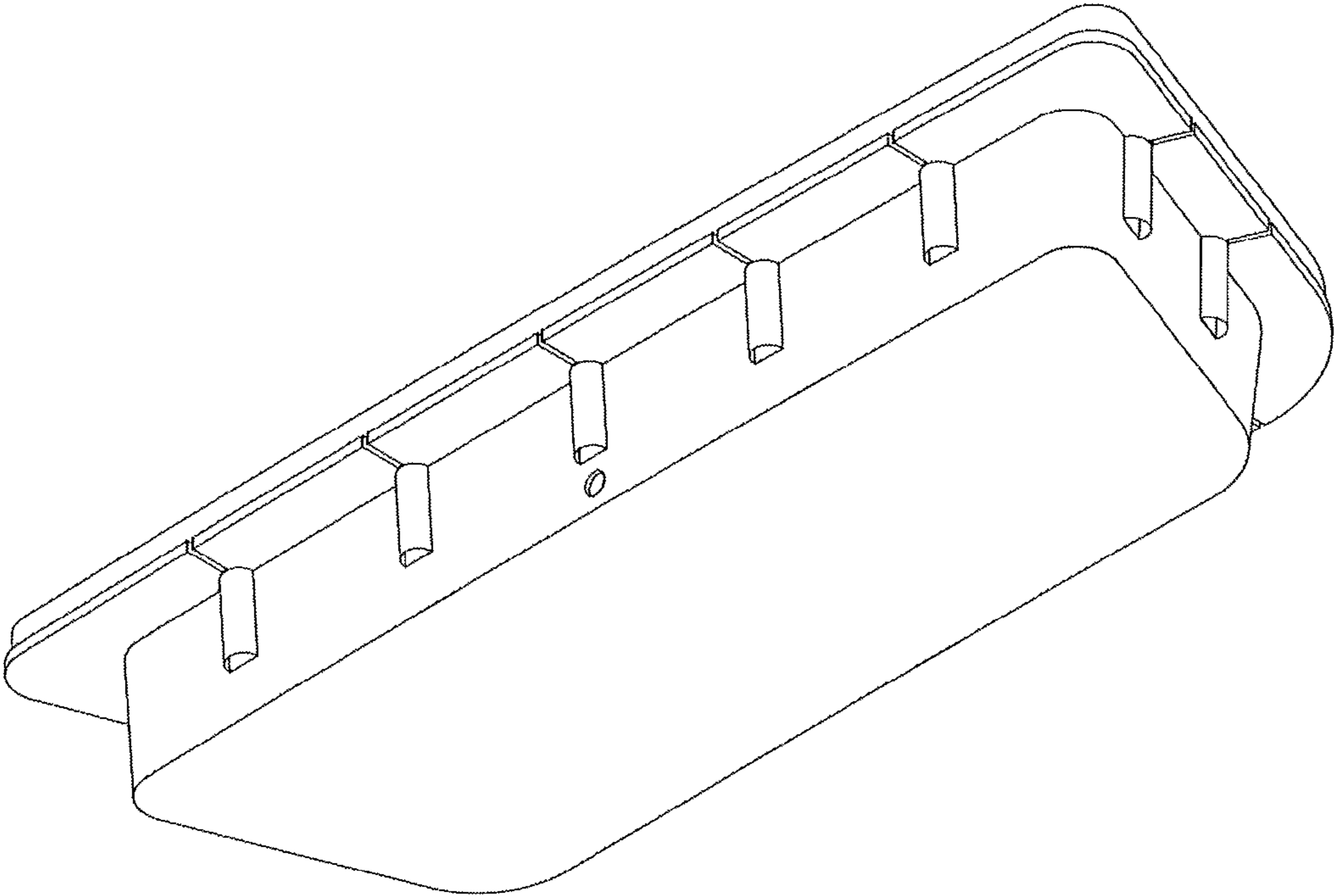


FIG. 9

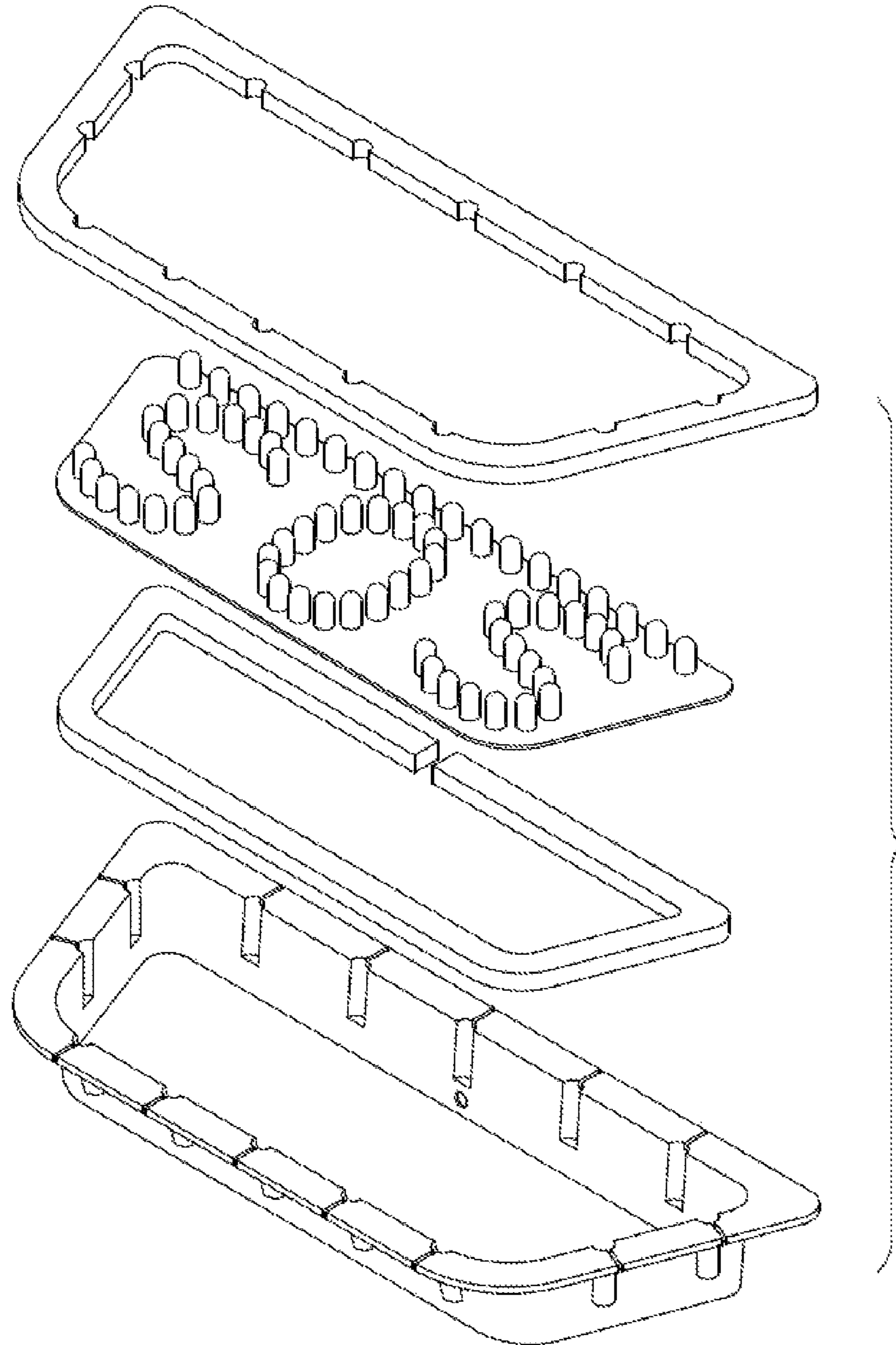


FIG. 10

